

# PME264

- EMI suppressor, class X2, metallized paper
- 0.001 – 0.1  $\mu\text{F}$ , 660 VAC, +85 °C

- Self-extinguishing encapsulation.
- High dU/dt capability.
- Excellent self-healing properties. Ensures long life even when subjected to frequent overvoltages.
- Good resistance to ionisation due to impregnated dielectric.
- The capacitors meet the most stringent IEC humidity class, 56 days.
- The impregnated paper ensures excellent stability giving outstanding reliability properties, especially in applications having continuous operation.

## TYPICAL APPLICATIONS

High AC and DC voltage applications, such as

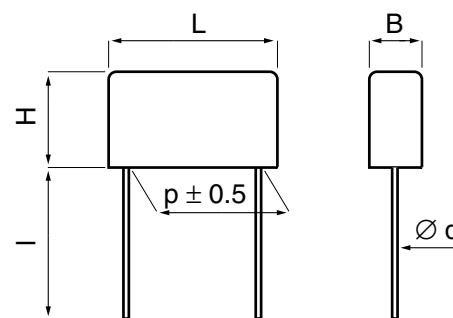
- commutator capacitor in converters
- high voltage DC-capacitor in TV sets
- ignition circuits.

## CONSTRUCTION

Multi-layer metallized paper. Encapsulated and impregnated in self-extinguishing material meeting the requirements of UL 94V-0.

## TECHNICAL DATA

<b>Rated voltage</b>	660 VAC 50/60 Hz 1500 VDC (1600 VDC, + 50°C)
<b>Capacitance range</b>	0.001 – 0.1 $\mu\text{F}$
<b>Capacitance tolerance</b>	$\pm 20\%$
<b>Temperature range</b>	-40 to +85°C
<b>Climatic category IEC</b>	40/085/56/B
<b>Approvals</b>	S, UL
<b>Dissipation factor <math>\tan\delta</math></b>	$\leq 1.3\%$ at 1 kHz
<b>Insulation resistance</b>	$\geq 12000\ \text{M}\Omega$ Measured at 500 VDC after 60 s, +23°C
<b>Test voltage between terminals</b>	The 100% screening factory test is carried out at 3000 VDC. The voltage level is selected to meet the requirements in applicable equipment standards.



$d = 0.8$  for  $p = 15.2$  and  $20.3$   
 $1.0$  for  $p = 25.4$

$l =$  standard:  $30 \pm 0.5$  mm  
option: short leads, tolerance  $\pm 0.1$  mm  
(standard 6 mm, code R06)  
Other lead lengths on request

## ENVIRONMENTAL TEST DATA

<b>Vibration</b>	IEC 60068-2-6 Test Fc	3 directions at 2 hour each, 10 – 500 Hz at 0.75 mm or 98 m/s <sup>2</sup>	No visible damage No open or short circuit
<b>Bump</b>	IEC 60068-2-29 Test Eb	4000 bumps at 390 m/s <sup>2</sup>	No visible damage No open or short circuit
<b>Solderability</b>	IEC 60068-2-20 Test Ta	Solder globule method	Wetting time for $d \leq 0.8 < 1$ s for $d > 0.8 < 1.5$ s
<b>Active flammability</b>	EN 132400		
<b>Passive flammability</b>	IEC 60384-14 (1993) EN 132400		
<b>Humidity</b>	IEC 60068-2-3 Test Ca	+40°C and 90 – 95% R.H.	56 days

## ARTICLE TABLE

Capacitance $\mu\text{F}$	Max dimensions in mm				Quantity per package			Weight g	Max dU/dt V/ $\mu\text{s}$	Approvals S U	Article code	
	B	H	L	p	R30 pcs	R06 pcs	reel taped pcs					
0.0010	5.2	10.5	18.5	15.2	500	1000	600	1.7	2000	√	√	PME264NB4100MR30
0.0015	5.2	10.5	18.5	15.2	500	1000	600	1.7	2000	√	√	PME264NB4150MR30
0.0022	5.2	10.5	18.5	15.2	500	1000	600	1.7	2000	√	√	PME264NB4220MR30
0.0033	5.2	10.5	18.5	15.2	500	1000	600	1.7	2000	√	√	PME264NB4330MR30
0.0047	5.2	10.5	18.5	15.2	500	1000	600	1.7	2000	√	√	PME264NB4470MR30
0.0068	7.3	13.0	19.0	15.2	400	800	400	3.0	1400	√	√	PME264NB4680MR30
0.010	7.3	13.0	19.0	15.2	400	800	400	3.0	1400	√	√	PME264NB5100MR30
0.015	7.6	14.0	24.0	20.3	250	1500	250	4.0	1400	√	√	PME264NC5150MR30
0.022	9.0	15.0	24.0	20.3	200	1200	250	5.0	1400	√	√	PME264NC5220MR30
0.033	11.3	16.5	24.0	20.3	150	1000	180	7.0	1000	√	√	PME264NC5330MR30
0.047	10.5	17.0	30.5	25.4	100	1000		8.5	1000	√	√	PME264NE5470MR30
0.068	12.1	19.0	30.5	25.4	100	800		10.0	1000	√	√	PME264NE5680MR30
0.10	15.3	22.0	30.5	25.4	75	600		15.0	600	√	√	PME264NE6100MR30

## APPROVALS/REFERENCE DOCUMENTS

Certification Body	Specification	Approval reference
S	EN 132400	9649199/01
UL	UL 1283 ( $U_R = 600 \text{ VAC}$ )	E100117

## MARKING

- RIFA
- RIFA article code
- Rated capacitance
- Rated voltage
- X2
- SH, for self healing
- Climatic category according to IEC 60068-1, appendix A
- Passive flammability class
- Approval marks
- Manufacturing code (year, month)

## ORDERING INFORMATION

The article code for the standard part is given in the article table.  
For other options, see page 21.

## PACKING

Capacitors in standard design (lead length 30 mm) and with  $L < 24 \text{ mm}$  and lead length 5 or 6 mm are packed bulk in a box with dimensions 245 x 145 x 80 mm. Quantity/package as per article table.

Capacitors with  $L \geq 24 \text{ mm}$  and lead length 5 or 6 mm are packed on trays piled in a box with dimension 300 x 260 x 195 mm. Quantity/package as per article table.

Reels with taped capacitors are packed 10 in a box with dimension 370 x 370 x 560 mm. The standard quantity/reel is for 360 mm reel. If 500 mm reel is required, it must be specified when ordering and the quantity is 2 x the given quantity.