

PMR205

- RC unit, metallized paper with integrated resistor
- 0.1 – 1.0 μF , 22 - 680 Ω , 125 VAC, +85 °C

- Small dimensions
- High dU/dt capability.
- Excellent self-healing properties. Ensures long life even when subjected to frequent overvoltages.
- Self-extinguishing encapsulation.
- Good resistance to ionisation due to impregnated dielectric.
- The impregnated paper ensures excellent stability giving outstanding reliability properties, especially in applications having continuous operation.

TYPICAL APPLICATIONS

RC unit for use in DC and AC applications for:

- contact protection
- interference suppression of contacts
- transient suppression

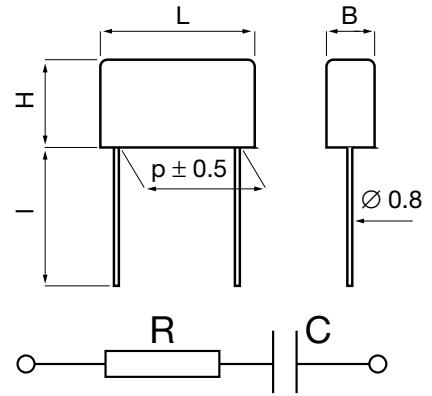
CONSTRUCTION

Single layer metallized paper. Encapsulated and impregnated in self-extinguishing material meeting the requirements of UL 94V-0. The resistance in the metal layer is utilized as series resistance, integrated resistor.

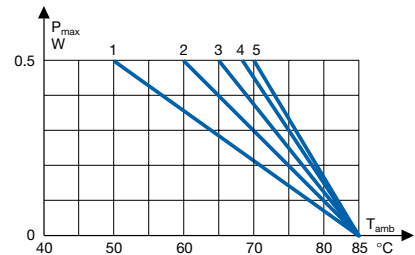
TECHNICAL DATA

Rated voltage	250 VDC, 125 VAC
Capacitance range	0.1–1.0 μF
Capacitance tolerance	$\pm 20\%$
Resistance range	22 – 680 Ω
Resistance tolerance	$\pm 30\%$
Peak pulse voltage	375 V
Temperature range	–40 to +85°C
Climatic category	40/085/56/B
Series resistance	The series resistance is defined at 1 kHz for RC $\geq 50 \mu\text{s}$ and at 100 kHz for RC $< 50 \mu\text{s}$.
Insulation resistance	$\geq 3000 \text{ M}\Omega$ for C $\leq 0.33 \mu\text{F}$ $\geq 1000 \text{ s}$ for C $> 0.33 \mu\text{F}$ Measured at 100 VDC after 60 s, +23°C
Power ratings	The average losses may reach 0.5 W provided the surface temperature does not exceed + 85°C. For maximum permitted power dissipation v temperature, see derating curves.

Curve	Dimensions
1	B = 5.2
2	B = 7.3
2	B = 7.8
3	B = 7.6
4	B = 9.0
5	B = 11.3



I: standard: 30 +5/-0 mm (code R30)
 option: short leads, tolerance +0/-1 mm (standard 6 mm, code R06)
 Other lead lengths on request.



Maximum allowable power dissipation vs ambient temperature and case sizes.

ENVIRONMENTAL TEST DATA

Vibration	IEC 60068-2-6, Test Fc	3 directions at 2 hour each 10 – 500 Hz at 0.75 mm or 98 m/s ²	No visible damage, No open or short circuit
Bump	IEC 60068-2-29, Test Eb	4000 bumps at 390 m/s ²	No visible damage, No open or short circuit
Solderability	IEC 60068-2-20, Test Ta	Solder globule method	Wetting time < 1 s
Humidity	IEC 60068-2-3, Test Ca	+40°C and 90 – 95% R.H.	56 days

ARTICLE TABLE

Capacitance	Resistance	Max dimensions in mm				Quantity per package			Weight	Article code
		B	H	L	p	R30	R06	reel taped		
μF	Ω	B	H	L	p	pcs	pcs	pcs	g	
0.10	33	5.2	10.5	18.5	15.2	500	1000	600	1.7	PMR205AB6100M033R30
0.10	47	5.2	10.5	18.5	15.2	500	1000	600	1.7	PMR205AB6100M047R30
0.10	100	5.2	10.5	18.5	15.2	500	1000	600	1.7	PMR205AB6100M100R30
0.10	220	5.2	10.5	18.5	15.2	500	1000	600	1.7	PMR205AB6100M220R30
0.15	68	5.2	10.5	18.5	15.2	500	1000	600	1.7	PMR205AB6150M068R30
0.15	100	5.2	10.5	18.5	15.2	500	1000	600	1.7	PMR205AB6150M100R30
0.22	47	7.3	13.0	19.0	15.2	400	800	400	3.0	PMR205AB6220M047R30
0.22	100	7.3	13.0	19.0	15.2	400	800	400	3.0	PMR205AB6220M100R30
0.22	220	7.3	13.0	19.0	15.2	400	800	400	3.0	PMR205AB6220M220R30
0.22	330	7.3	13.0	19.0	15.2	400	800	400	3.0	PMR205AB6220M330R30
0.22	470	7.3	13.0	19.0	15.2	400	800	400	3.0	PMR205AB6220M470R30
0.25	200	7.3	13.0	19.0	15.2	400	800	400	3.0	PMR205AB6250M200R30
0.25	350	7.3	13.0	19.0	15.2	400	800	400	3.0	PMR205AB6250M350R30
0.25	600	7.3	13.0	19.0	15.2	400	800	400	3.0	PMR205AB6250M600R30
0.33	47	7.8	13.5	18.5	15.2	400	800	400	3.3	PMR205AB6330M047R30
0.47	22	7.6	14.0	24.0	20.3	250	1500	250	4.0	PMR205AC6470M022R30
0.47	33	7.6	14.0	24.0	20.3	250	1500	250	4.0	PMR205AC6470M033R30
0.47	47	7.6	14.0	24.0	20.3	250	1500	250	4.0	PMR205AC6470M047R30
0.47	68	7.6	14.0	24.0	20.3	250	1500	250	4.0	PMR205AC6470M068R30
0.47	100	7.6	14.0	24.0	20.3	250	1500	250	4.0	PMR205AC6470M100R30
0.47	150	7.6	14.0	24.0	20.3	250	1500	250	4.0	PMR205AC6470M150R30
0.47	220	7.6	14.0	24.0	20.3	250	1500	250	4.0	PMR205AC6470M220R30
0.47	330	7.6	14.0	24.0	20.3	250	1500	250	4.0	PMR205AC6470M330R30
0.47	470	9.0	15.0	24.0	20.3	200	1200	250	5.0	PMR205AC6470M470R30
0.47	680	11.3	16.5	24.0	20.3	150	1000	180	7.0	PMR205AC6470M680R30
1.0	33	10.6	16.1	30.5	25.4	150	1000		8.6	PMR205AE7100M033R30
1.0	47	11.3	16.5	24.0	20.3	150	1000		7.0	PMR205AC7100M047R30
1.0	68	11.3	16.5	24.0	20.3	150	1000		7.0	PMR205AC7100M068R30
1.0	100	11.3	16.5	24.0	20.3	150	1000		7.0	PMR205AC7100M100R30
1.0	150	11.3	16.5	24.0	20.3	150	1000		7.0	PMR205AC7100M150R30
1.0	220	11.3	16.5	24.0	20.3	150	1000		7.0	PMR205AC7100M220R30

ORDERING INFORMATION

The article code for the standard part is given in the article table.
For other options, see page 21.

PACKING

RC units in standard design (lead length 30 mm) and with $L < 24$ mm and lead length 5 or 6 mm are packed bulk in a box with dimensions 245 x 145 x 80 mm. Quantity/package as per article table. RC units with $L \geq 24$ mm and lead length 5 or 6 mm are packed on trays piled in a box with dimensions 300 x 260 x 195 mm.

Reels with taped capacitors are packed 10 in a box with dimensions 370 x 370 x 560 mm. The standard quantity/reel is for 360 mm reel. If 500 mm reel is required, it must be specified when ordering and the quantity is 2 x the given quantity.

MARKING

- RIFA
- RIFA article code
- RC unit
- Rated capacitance and resistance
- Rated voltage
- MP, for metallized paper
- Climatic category according to IEC 60068-1, appendix A
- Passive flammability class
- Circuit diagram
- Manufacturing code (year, month)