

# POLARIZATION MAINTAINING TAP COUPLER

## PMTC Series

### Product Description

Oplink's polarization maintaining tap couplers is based on athermal platform. The technology is a lead-free packaging platform and no epoxy in the optical path. These devices feature super high extinction ratio, very high power handling and low insertion loss. Oplink's patented packaging technology ensures the highest quality and reliability.

Oplink can provide customized designs to meet specialized feature applications. Also, Oplink offers modular assemblies that integrate other components to form a full function module or subsystem.



### Performance Specification

PMTC Series		Specifications			Unit
		Ultra P Grade	P Grade	A Grade	
Wavelength Range		1450 ± 30			nm
		1480 ± 30			
		1550 ± 30			
Insertion Loss Signal Port	5%	≤ 13.8			dB
	10%	≤ 10.8			
	50%	≤ 3.8			
Insertion Loss Tap Port	5%	≤ 1.0			dB
	10%	≤ 1.3			
	50%	≤ 3.8			
Extinction Ratio @ 23 °C		≥ 23	≥ 20	≥ 18	dB
Optical Return Loss		≥ 50			dB
Directivity		≥ 50			dB
Direction of Incident Polarization		Slow Axis			dB
Operating Power Handling		≤ 500			mW
Operating Temperature		0 to +70			°C
Storage Temperature		-40 to +85			°C
Fiber Type		Fujikura Panda PM Fiber			
Physical Dimensions	P1 bare fiber	5.5±0.1 (Φ) x 34.0±1 (L)			mm
	P2 900μm loose tube	5.5±0.1 (Φ) x 40.0±1 (L)			

Note:

<sup>1)</sup> All the parameters are excluding connectors; ER is 3dB lower and after connector added

### Features

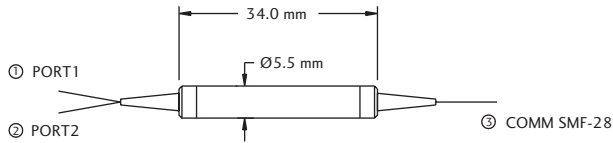
- ◆ Super High Extinction Ratio
- ◆ Low Insertion Loss
- ◆ Highly Stable & Reliable
- ◆ Epoxy-Free Optical Path
- ◆ Compact Size
- ◆ High-Power Handling

### Applications

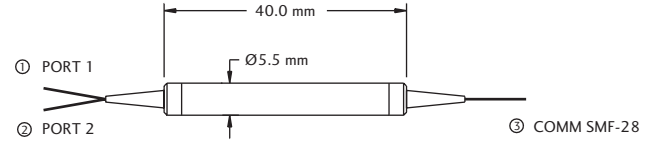
- ◆ EDFA
- ◆ Raman Amplifier
- ◆ 40-Gbps, 100-Gbps Transmission System
- ◆ Laboratory R&D

**Mechanical Drawing / Package Dimensions (dimension in mm)**

**Package 1**

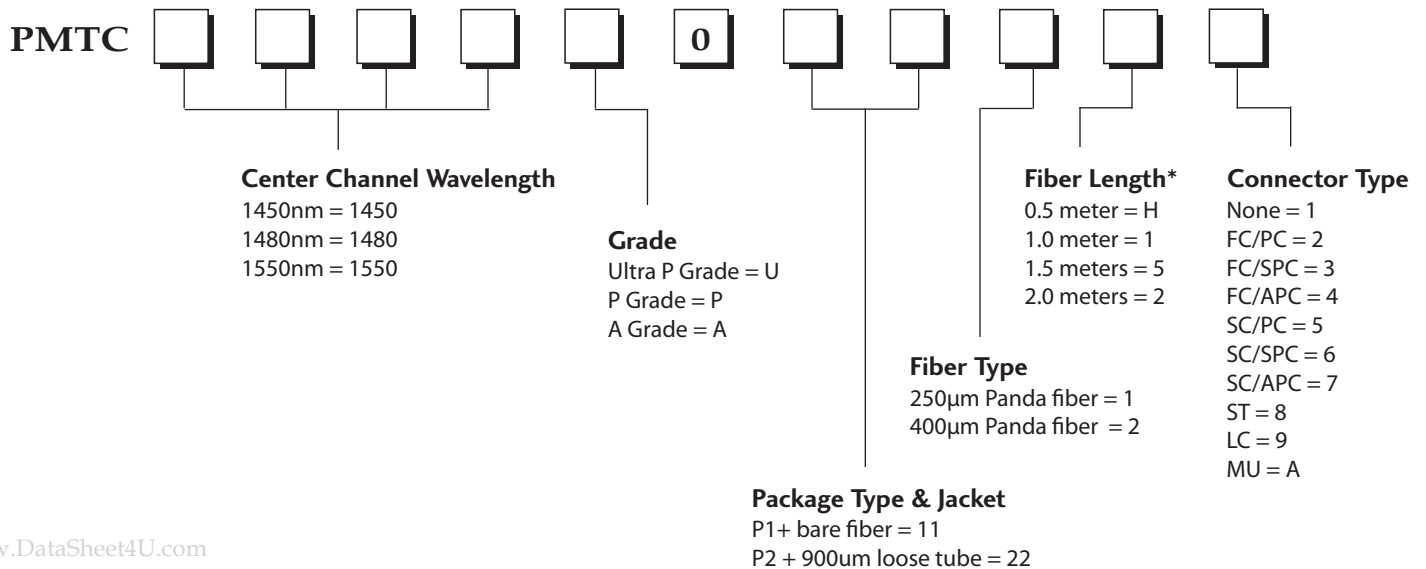


**Package 2**



**Ordering Information**

Oplink can provide a remarkable range of customized optical solutions. For detail, please contact Oplink's OEM design team or account manager for your requirements and ordering information (510) 933-7200.



\* 1 meter is standard. The lead-time for special fiber length will be longer.