

1. Introduction

This document describes the NFC controller PN532. This document is a short form version; for full specification refer to the product data sheet.

2. General description

The PN532 is a highly integrated transmission module for contactless communication at 13.56 MHz including micro-controller functionality based on an 80C51 core. The transmission module utilises an outstanding modulation and demodulation concept completely integrated for different kinds of passive contactless communication methods and protocols at 13.56 MHz.

The PN532 support 4 different operating modes:

- Reader/writer mode supporting ISO 14443A / MIFARE® and FeliCa™ scheme
- ISO 14443B in reader/writer mode only.
- Card interface mode supporting ISO 14443A / MIFARE® and FeliCa™ scheme
- NFCIP-1 mode

Enabled in reader/ writer mode for ISO reader 14443A / MIFARE® and reader/writer mode for ISO 14443B, the PN532's internal transmitter part is able to drive a reader/writer antenna designed to communicate with ISO14443A /MIFARE® and ISO14443B cards and transponders without additional active circuitry.

The receiver part provides a robust and efficient implementation of a demodulation and decoding circuitry for signals from ISO 14443A / MIFARE® and ISO 14443B compatible cards and transponders. The digital part handles the complete ISO14443A framing and error detection (Parity & CRC).

The PN532 supports MIFARE® Classic (e.g. MIFARE® Standard) products. The PN532 supports contactless communication using MIFARE® Higher Baudrates up to 424kBaud in both directions.

Enabled in the reader/ writer mode for FeliCa™, the PN532 transmission module supports the FeliCa™ communication scheme. The receiver part provides a robust and efficient implementation of the demodulation and decoding circuitry for FeliCa™ coded signals. The digital part handles the FeliCa™ framing and error detection like CRC. The PN532 supports contactless communication using FeliCa™ Higher Baudrates up to 424 kbaud in both directions.

Enabled in card mode the PN532 transmission module is able to answer to a reader/writer command either according to FeliCa™ or ISO14443 A / MIFARE® card interface mode. The PN532 generates the digital load-modulated signals and in addition with an external circuit the answers can be send back to the reader/writer. A complete card functionality is only possible in combination with a secure memory IC.

Additionally, the PN532 transmission module offers the possibility to communicate directly to a second NFCIP-1 device in the NFCIP-1 mode. The NFCIP-1 mode offers different communication transfer speeds up to 424 kbit/s according to the ECMA 340 NFCIP-1 Standard. The digital part handles the complete NFCIP-1 framing and error detection. Transfer speeds on the RF interface above 424 kbit/s are supported by the digital part of the PN532 module. The modulation to transmit and the demodulation to receive data at transfer speeds has than to be done by an external circuit.

To make information exchange to the host systems several interfaces are implemented:

- SPI interface
- I²C interface
- Serial UART (similar to RS232 with 0 and PVDD voltage levels)

The PN532 embeds a low dropout voltage regulator allowing the device to be connected directly to a battery as well as a medium power switch to supply and control the power of the companion secure chip.

3. Features

- 80C51 micro controller core with 40 kbyte ROM and 1 kbyte RAM
- Highly integrated analog circuitry to demodulate and decode responses
- Buffered output drivers to connect an antenna with minimum number of external components
- Integrated RF Level detector
- Integrated data mode detector
- Supports ISO 14443A / MIFARE®
Supports ISO 14443B in reader/writer mode only
- Typical operating distance in reader/writer mode for communication to a ISO14443A/MIFARE®, ISO14443B or FeliCa™ card up to 50 mm depending on the antenna size and tuning
- Typical operating distance in NFCIP-1 mode up to 50 mm depending on the antenna size and tuning and power supply
- Typical operating distance in ISO14443A / MIFARE® card or FeliCa™ card interface mode of about 100 mm depending on the antenna size and tuning and the external field strength
- Supports MIFARE® Classic encryption in reader/writer mode and MIFARE® higher transfer speed communication at 212 kbit/s and 424 kbit/s
- Supports contactless communication according to the FeliCa™ scheme at 212 kbaud and 424 kbaud
- Integrated RF interface for NFCIP-1 up to 424 kBaud
- Possibility to communicate on the RF interface above 424 kbaud using external analog circuitry

- Supported host interfaces
 - ◆ SPI interface
 - ◆ I²C interface
 - ◆ High Speed Serial UART (similar to RS232 with 0 and PVDD voltage levels)
- Flexible interrupt using IRQ pin
- Hard reset with low power function
- Power down mode per embedded firmware

Automatic wake up on the I²C, HSU and SPI interfaces when device is in power down mode
- Programmable timer
- Internal oscillator to connect 27.12 MHz crystal
- 2.7 to 5.4V power supply
- Power Switch for external secure companion chip.
- Specific IO ports for external devices control

Embedded test of absence of antenna and/or antenna tuning components by detection of significant load impedance deviation resulting in high power consumption increase.

4. Applications

- Mobile and portable devices
- PC world
- Consumer application

5. Quick reference data

Table 1: Quick reference data

Symbol	Parameter	Conditions	Min	Typ	Max	Unit
V _{BAT}	Battery Supply Voltage		2.7		5.4	V
ICVDD	LDO output voltage	VSS = 0V VBAT > 3.3V	[1] 2.7	3.0	3.3	V
PVDD	Supply Voltage for host interface	VSS = 0V PVDD < VBAT	[2] 1.6		3.6	V
SVDD	Supply Voltage for SAM interface	VSS = 0V VBAT > 3.3V (SVDD Switch Enabled)	2.7	3.0	3.3	V
I _{HPD}	Hard Power Down Current	VBAT=5V, RF level detector off			2	μA
I _{SPD}	Soft Power down Current	VBAT=5V, RF level detector on			10	μA
I _{CVDD}	Digital Supply Current	VBAT=5V, RF level detector on, SVDD switch off	[1]	25		mA

Table 1: Quick reference data ...continued

Symbol	Parameter	Conditions	Min	Typ	Max	Unit
I _{SVDD}	SVDD Supply Current	V _{BAT} =5V, SVDD switch on			30	mA
I _{AVDD}	Analog Supply Current	I _{VBAT} =5V, RF level detector on	[1]	6		mA
I _{TVDD}	Transmitter (TX) Supply Current	During RF V _{BAT} =5V, 40Ω typical TX Z _{load} (min. tbd)	[1]	60	100	mA
I _{VBAT}	continuous total current consumption	T _{amb} = -30 to +85 °C, 40Ω typical TX Z _{load} (min tbd), excluding the secure companion chip	[3]	91	140	mA
T _{amb}	operating ambient temperature		-30		+85	°C

[1] DVDD, AVDD and TVDD shall always be connected together.

[2] It is not allowed to have PVDD above V_{BAT}

[3] The total current consumption depends also on the firmware version (different internal IC clock speed)

6. Ordering information

Table 2: Ordering information

Type number	Package		
	Name	Description	Version
PN5320A3HN/C101 [1]	HVQFN40	plastic, heatsink very thin quad flat package; no leads; 40terminals; body 6x 6x 0.85mm	SOT618-1
PN5321A3HN/C101 [2]	HVQFN40	plastic, heatsink very thin quad flat package; no leads; 40terminals; body 6x 6x 0.85mm. Type B SW is enable.	SOT618-1

[1] 01 is the reference of the romcode version.

[2] A purchaser of this Philips IC has to take care for appropriate third party patent license.

7. Block diagram

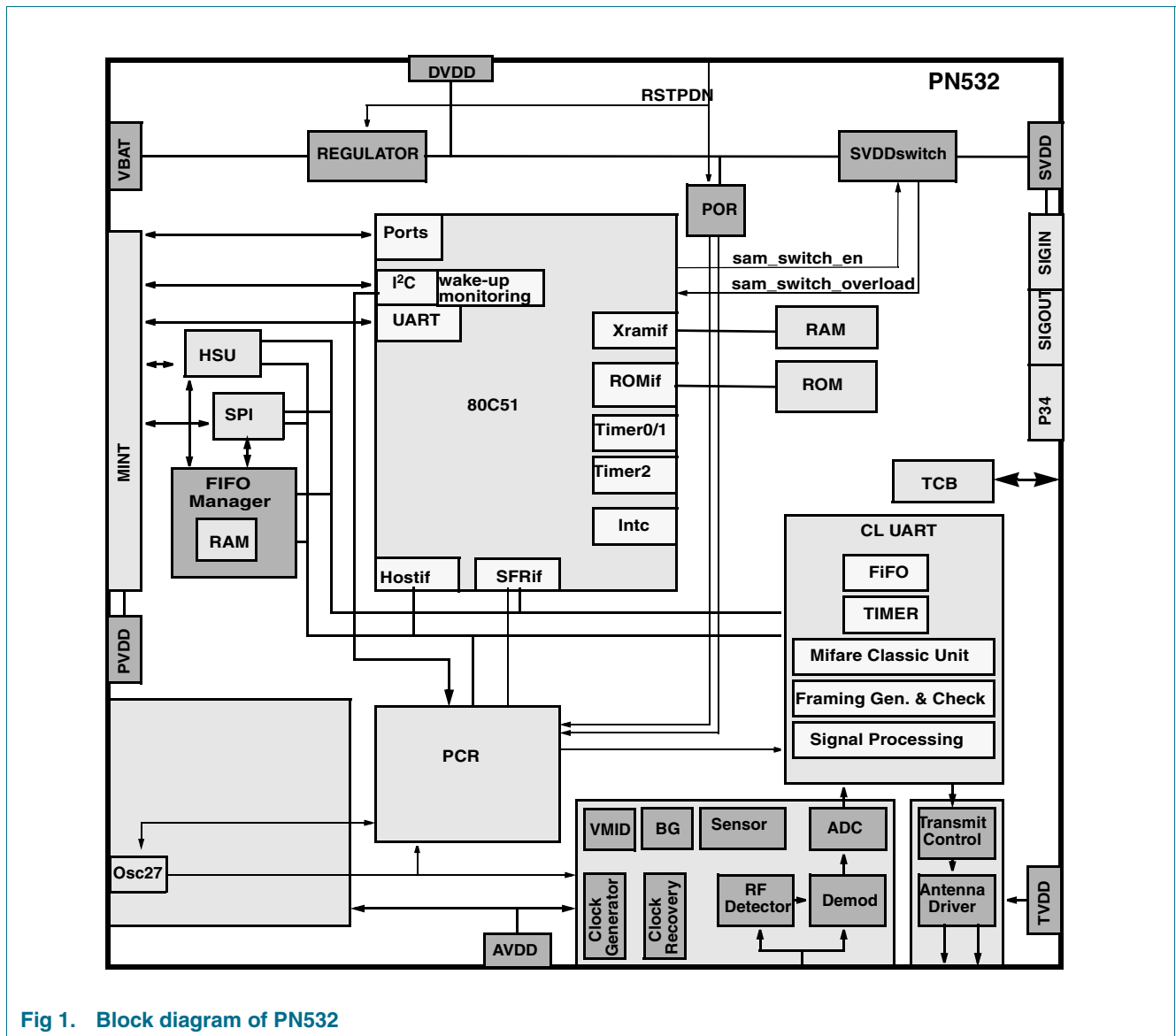


Fig 1. Block diagram of PN532

8. Pinning information

8.1 Pin description

Table 3: PN532 Pin description

Symbol	Pin	Type	Pad Ref Voltage	Description
DVSS	1	PWR		Digital Ground
LOADMOD	2	O	DVDD	Load Modulation output provides digital signal for FeliCa™ and MIFARE® card operating mode
TVSS1	3	PWR		Transmitter Ground: supplies the output stage of TX1 and TX2
TX1	4	O	TVDD	Transmitter 1: delivers the modulated 13.56 MHz energy carrier
TVDD	5	PWR		Internal Transmitter power supply: supplies the output stage of TX1 and TX2
TX2	6	O	TVDD	Transmitter 2: delivers the modulated 13.56 MHz energy carrier
TVSS2	7	PWR		Transmitter Ground: supplies the output stage of TX1 and TX2
AVDD	8	PWR		Internal Analog Power Supply
VMID	9	O	AVDD	Internal Reference Voltage: This pin delivers the internal reference voltage.
RX	10	I	AVDD	Receiver Input: Input pin for the reception signal, which is the load modulated 13.56 MHz energy carrier from the antenna circuit.
AVSS	11	PWR		Analog Ground
AUX1	12	O	AVDD	Auxiliary Output: This pin delivers analog and digital test signals.
AUX2	13	O	AVDD	Auxiliary Output: This pin delivers analog and digital test signals.
OSCIN	14	I	AVDD	Crystal Oscillator Input: input to the inverting amplifier of the oscillator. This pin is also the input for an externally generated clock (fosc = 27.12 MHz).
OSCOU	15	O	AVDD	Crystal Oscillator output: Output of the inverting amplifier of the oscillator.
I0	16	I	DVDD	General purpose IO signal Can be used by the embedded firmware to select the used host interface.
I1	17	I	DVDD	General purpose IO signal Can be used by the embedded firmware to select the used host interface.
TESTEN	18	I	DVDD	Test enable pin: When set to 1 enable the test mode. When set to 0 reset the TCB and disable the access to the test mode.
P35	19	IO	DVDD	General purpose IO signal
NC	20			
NC	21			
NC	22			
PVDD	23	PWR		Pad power supply
P30	24	IO	PVDD	General purpose IO signal. Can be configured to act either as RX line of the second serial interface or general purpose IO. In test mode this signal is used as input and output test signal.
IRQ	25	O	PVDD	Interrupt request: Output to signal an interrupt event to the host (Port 7 bit 0)
RSTOUTN	26	IO	PVDD	Output reset signal. When Low it indicates that the circuit is in reset state.
NSS	27	IO	PVDD	Not Slave Select .
MOSI	28	IO	PVDD	Master Out Slave In.
MISO	29	IO	PVDD	Master In Slave Out .
SCK	30	IO	PVDD	

Table 3: PN532 Pin description ...continued

Symbol	Pin	Type	Pad Ref Voltage	Description
P31	31	IO	PVDD	General purpose IO signal. Can be configured to act either as TX line of the second serial interface or general purpose IO. In test mode this signal is used as input and output test signal.
P32_INT0	32	IO	PVDD	General purpose IO signal. Can be used to generate an HZ state on the output of the selected interface for the Host communication and to enter PN532 into powerdown mode without resetting the internal state of PN532. In test mode this signal is used as input and output test signal.
P33_INT1	33	IO	PVDD	General purpose IO signal. Can also be used as an interrupt source In test mode this signal is used as input and output test signal.
P34	34	IO	SVDD	General purpose IO signal or clk signal for the SAM
SIGOUT	35	O	SVDD	Contactless communication interface output: delivers a serial data stream according to NFCIP-1 and output signal for the SAM. In test mode this signal is used as test signal output.
SIGIN	36	I	SVDD	Contactless communication interface input: accepts a digital, serial data stream according to NFCIP-1 and input signal from the SAM. In test mode this signal is used as test signal input.
SVDD	37	O		Output power for SAM power supply. Switched on by Firmware with an overload detection. Used as a reference voltage for SAM communication.
RSTPDN	38	I	PVDD	Reset and Power Down: When Low, internal current sources are switched off, the oscillator is inhibited, and the input pads are disconnected from the outside world. With a negative edge on this pin the internal reset phase starts.
DVDD	39	PWR		Internal Digital Power Supply
VBAT	40	PWR		Main external power supply.

9. Functional description

9.1 CONTACT LESS MODULE

The PN532 includes a highly integrated transmission/reception module for contactless communication at 13.56 MHz. This transmission/reception contact less (CL) module utilises an outstanding modulation and demodulation concept completely integrated for different kinds of contactless communication methods and protocols at 13.56 MHz.

The CL module support 4 different operating modes

- reader / writer mode supporting ISO 14443A / MIFARE® and FeliCa™ scheme
- reader / writer mode supporting ISO 14443B
- card operation mode supporting ISO 14443A / MIFARE® and FeliCa™ scheme
- NFCIP-1 mode

Enabled in reader / writer mode for ISO 14443A / MIFARE®, the CL module transmitter part is able to drive a reader / writer antenna designed to communicate with ISO 14443A / MIFARE® cards and transponders without additional active circuitry. The CL module receiver part provides a robust and efficient implementation of a demodulation and decoding circuitry for signals from ISO 14443A / MIFARE® compatible cards and transponders. The CL module handles the complete ISO 14443A framing and error detection (Parity & CRC). The CL module supports MIFARE® Classic (e.g. MIFARE® Standard) products. The CL module supports contactless communication using MIFARE® Higher transfer speeds up to 424 kbit/s in both directions.

Enabled in reader / writer mode for FeliCa™, the CL module supports the FeliCa™ communication scheme. The CL module receiver part provides a robust and efficient implementation of the demodulation and decoding circuitry for FeliCa™ coded signals. The CL module digital part handles the FeliCa™ framing and error detection like CRC. The CL module supports contactless communication using FeliCa™ Higher transfer speeds up to 424 kbit/s in both directions.

The CL module supports all layers of the ISO/IEC 14443 B reader / writer communication scheme, given correct implementation of additional components, like oscillator, power supply, coil etc. and provided that standardised protocols, e.g. like ISO/IEC 14443-4 and/or ISO/IEC 14443 B anticollision are correctly implemented. The use of this Philips IC according to ISO/IEC 14443 B might infringe third party patent rights. A purchaser of this Philips IC has to take care for appropriate third party patent licenses.

In card operation mode, the CL module is able to answer to a reader / writer command either according to the FeliCa™ or ISO 14443A / MIFARE® card interface scheme. The CL module generates the digital load modulated signals and in addition with an external circuit the answer can be sent back to the reader / writer. A complete card functionality is only possible in combination with a secure core IC using the S2C interface.

Additionally, the CL module offers the possibility to communicate directly to an NFCIP-1 device in the NFCIP-1 mode. The NFCIP-1 mode offers different communication modes and transfer speeds up to 424kbit/s according to the Ecma 340 NFCIP-1 Standard. The CL module digital part handles the complete NFCIP-1 framing and error detection.

9.1.1 Simplify block diagram

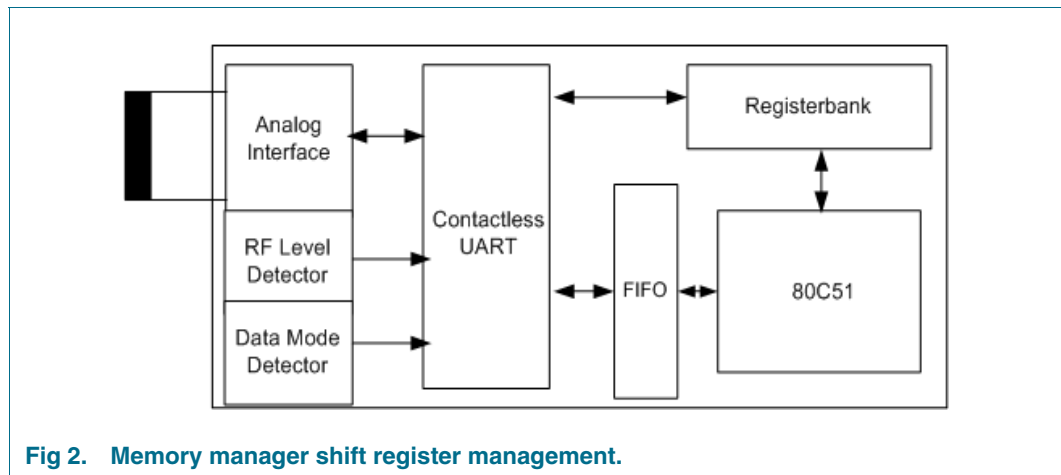


Fig 2. Memory manager shift register management.

The Analog interface handles the modulation and demodulation of the analog signals according to the card receiving mode, reader / writer mode and NFCIP-1 mode communication scheme.

The RF level detector detects the presence of an external RF-field delivered by the antenna to the RX pin.

The data mode detector detects a MIFARE®, FeliCa™ or NFCIP-1 mode in order to prepare the internal receiver to demodulate signals, which are sent to the PN512.

The communication (S2C) interface provides digital signals to support communication for transfer speeds above 424 kbit/s and digital signals to communicate to a secure core IC.

The contactless UART handles the protocol requirements for the communication schemes in co-operation with the host. The comfortable FIFO buffer allows a fast and convenient data transfer from the host to the contactless UART and vice versa.

9.1.2 Feature list

- Close communication link to the analog circuitry to demodulate and decode card's response
- Typical MOVX access to non critical registers
- SFR register map for high frequency register access (16 Registers)
- Integrated data mode detector
- Supports ISO 14443A / MIFARE®
- Supports ISO 14443 B reader / writer functionality
- Adjustable parameters to optimize the reception according to the antenna configuration
- Adjustable parameters to optimize the transmission according to the antenna configuration and characteristics.
- typical operating distance in reader / writer mode for communication to a ISO 14443A/ MIFARE® or FeliCa™ card up to 50 mm depending on the antenna size, tuning and power supply

- typical operating distance in NFCIP-1 mode up to 50 mm depending on the antenna size and tuning and power supply
- typical operating distance in ISO 14443A / MIFARE® card or FeliCa™ card operation mode of about 100 mm depending on the antenna size and tuning and the external field strength
- Supports MIFARE® Classic encryption in reader / writer mode
- Supports ISO 14443A higher transfer speed communication at 212 kbit/s and 424 kbit/s
- Supports contactless communication according to the FeliCa™ scheme at 212 kbit/s and 424 kbit/s
- Integrated RF interface for NFCIP-1 up to 424 kbit/s
- Possibility to communicate on the RF interface above 424 kbit/s using external analog circuitry
- Support of the S2C interface
- 64 byte send and receive FIFO-buffer
- Programmable timer
- CRC Co-processor
- internal self test
- 2 interrupt sources
- Integrated RF Level detector
- Integrated RF interface for NFCIP-1 up to 424 kbit/s

9.1.3 Operating Modes

The CL module support the following operating modes:

- Reader/writer mode supporting ISO14443A / MIFARE®, Felica™ and ISO14443B schemes.
- Card operation mode supporting ISO14443A / MIFARE® and Felica™ schemes
- NFCIP-1 mode

The modes support different transfer speeds and modulation schemes. The following chapters will explain the different modes more in detail.

Note: All indicated modulation indexes and modes in this chapter are system parameters. This means that beside the IC settings a suitable antenna tuning is required to achieve the optimal performance.

9.1.3.1 Reader / Writer mode

Generally 3 reader/writer-operating modes are supported. The PN532 can act as a reader / writer for ISO14443A / MIFARE®, FeliCa™ and ISO14443B cards.

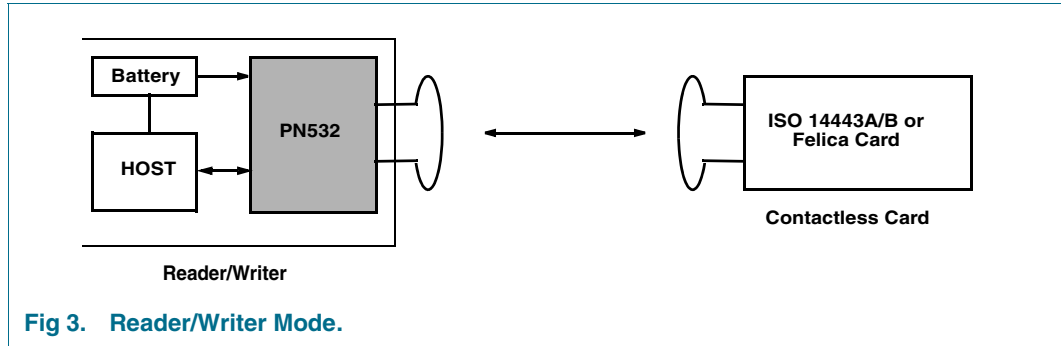


Fig 3. Reader/Writer Mode.

9.1.3.2 ISO14443A Reader / Writer Functionality

The ISO14443A / MIFARE® reader / writer mode is the general reader / writer to card communication scheme according to the ISO14443A / MIFARE® specification. The following diagram describes the communication on a physical level.

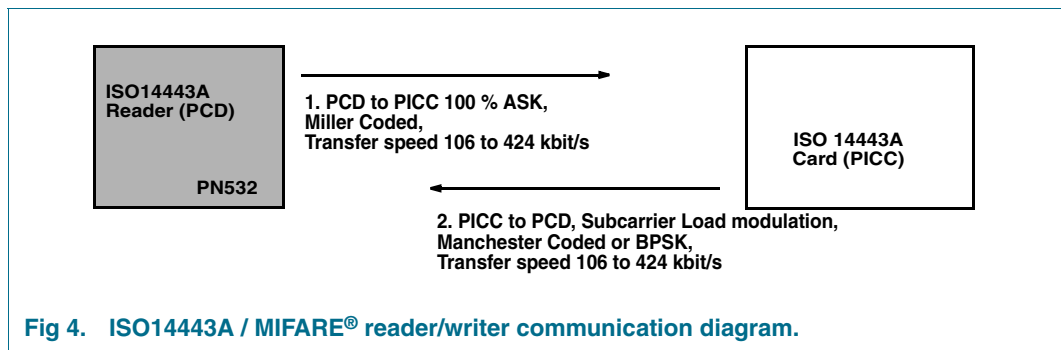


Fig 4. ISO14443A / MIFARE® reader/writer communication diagram.

Table 4: Communication overview for ISO14443A / MIFARE® reader/writer

Communication direction	Baudrate	MIFARE® / ISO14443A	MIFARE® Higher transfer speed	
		106kbaud	212 Kbaud	424kbaud
PN532 → card	Modulation on reader side	100 % ASK	100 % ASK	100 % ASK
	bit coding	Modified Miller coding	Modified Miller coding	Modified Miller coding
	Bitlength	$128/13.56 = 9.44 \mu\text{s}$	$64/13.56 = 9.44\mu\text{s}/2$	$32/13.56 = 9.44\mu\text{s}/4$
Card → PN532	Modulation on card side	Subcarrier load modulation	subcarrier load modulation	subcarrier load modulation
	Subcarrier frequency	$13.56\text{MHz}/16$	$13.56\text{MHz}/16$	$13.56\text{MHz}/16$
	bit coding	Manchester coding	BPSK	BPSK

The contactless UART, in cooperation with the internal micro-controller of PN532 and the external host handle the complete MIFARE® / ISO14443 A protocol.

The internal CRC coprocessor calculates the CRC value according to the definitions given in the ISO 14443A part 3.

9.1.3.3 FeliCa™ Reader/Writer Functionality

The FeliCa™ mode is the general reader / writer to card communication scheme according to the FeliCa™ specification. The following diagram describes the communication on a physical level.

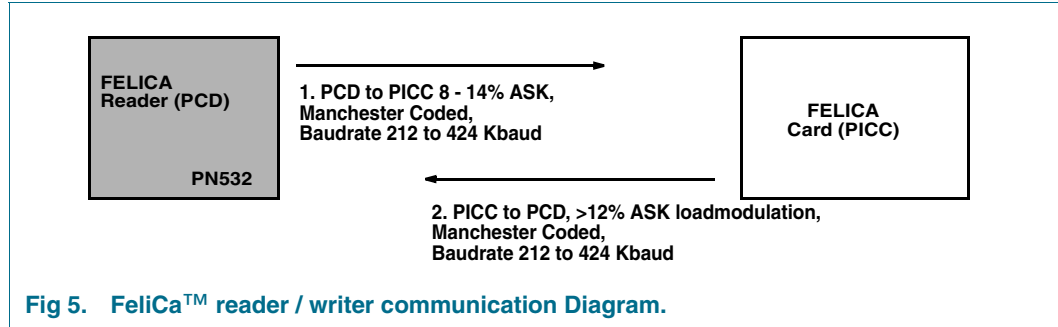


Fig 5. FeliCa™ reader / writer communication Diagram.

Table 5: Communication Overview for FeliCa™ reader/writer functionality

Communication direction	Baudrate	FeliCa™	
		212 Kbaud	FeliCa™ Higher Baudrate 424kBaud
PN532 ->card	Modulation on reader side	8 - 14 % ASK	8 - 14 % ASK
	bit coding	Manchester coding	Manchester coding
	Bitlength	$64/_{13.56} = 9.44\mu s/2$	$32/_{13.56} = 9.44\mu s/4$
Card->PN532	Modulation on card side	>12% ASK	>12% ASK
	bit coding	Manchester coding	Manchester coding

The internal contactless UART, the internal µC of PN532 and the external host handle the FeliCa™ protocol.

The Framing and coding of the FeliCa™ should be according the following table:

Table 6: FeliCa™ Framing and Coding

Preamble						Sync	Len	n-Data				CRC	
00	00	00	00	00	00	B2	4D						

To enable the FeliCa™ communication a 6 bytes long preamble and 2 bytes Sync bytes are sent in order to synchronise the internal receiver. The Len byte is an indicator for the length of the sent data bytes plus the n-data bytes. The CRC calculation is done according to the FeliCa™ definitions with the MSB first.

To transmit data on the RF interface, the host has to send the Preamble-, Syn-, Len- and data- bytes to the PN532. Only the internal CRC calculation is made and added internally of the PN532

The starting value for the CRC Polynomial is 2 null bytes: (0x00), (0x00)

Example of frame sent to the field:

Table 7: FeliCa™ Framing and Coding

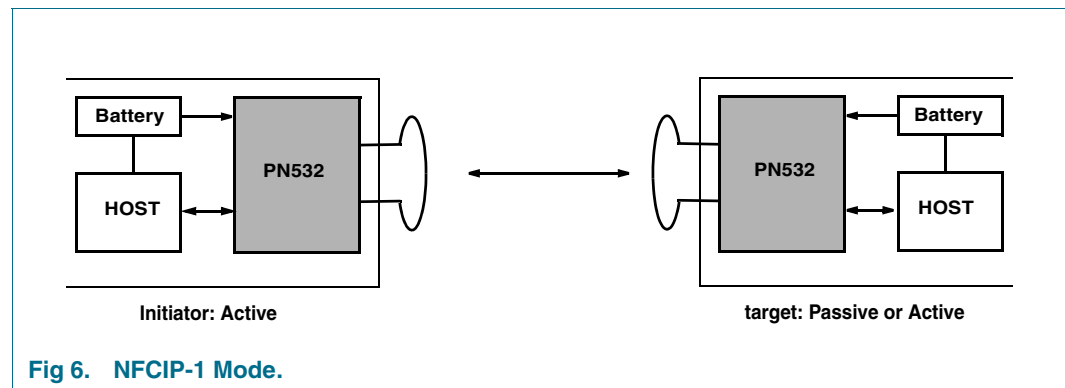
Preamble						Sync	Len	2 Data Bytes		CRC		
00	00	00	00	00	00	B2	4D	03	AB	CD	90	35

9.1.4 NFCIP-1 MODE

The NFCIP-1 communication differentiates between an active and a passive communication mode.

- Active Communication Mode means both the initiator and the target are using their own RF field to transmit data
- Passive Communication Mode means that the target answers to an initiator command in a load modulation scheme. The initiator is active in terms of generating the RF field.
- Initiator: generates RF field @ 13.56 MHz and starts the NFCIP
- Target: responds to initiator command either in a load modulation scheme for passive communication mode or using a self generated and self modulated RF field for active communication mode.

In order to fully support the NFCIP-1 standard the PN532 supports the active and passive communication mode at the transfer speeds 106 kbit/s, 212 kbit/s and 424 kbit/s as defined in the NFCIP-1 standard



9.1.4.1 ACTIVE Communication mode

Active Communication Mode means both the initiator and the target are using their own RF field to enable the communication.

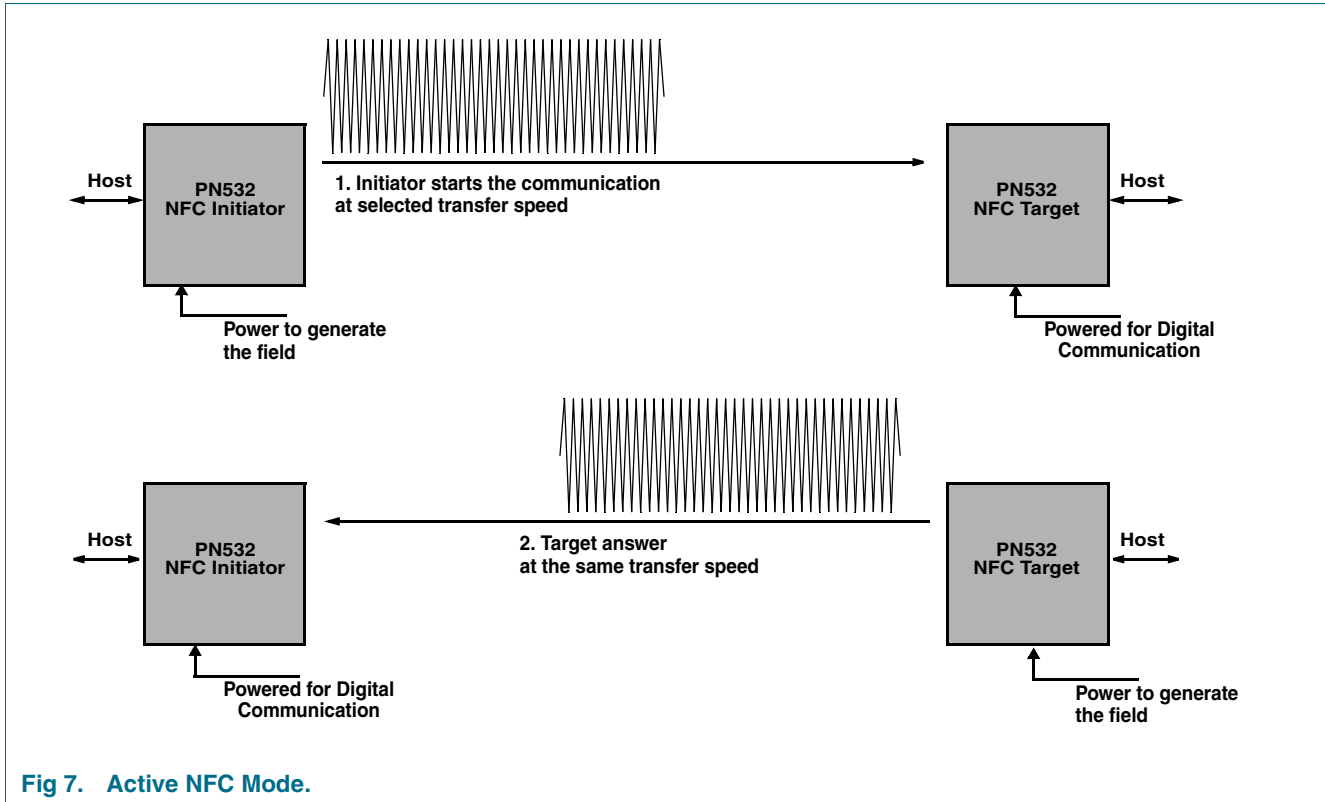


Fig 7. Active NFC Mode.

The following table gives an overview of the active communication modes:

Table 8: Communication Overview for active NFC

Communication direction	106 kbit/s	212 kbit/s	424 kbit/s	848 kbit/s	1.69 Mbit/s 3.39 Mbit/s
Initiator -> Target	According to ISO14443A 100% ASK, Miller Coded	According to FeliCa™, 8-30 %ASK Manchester Coded	According to FeliCa™, 8-30 %ASK Manchester Coded	digital capability to handle this communication	according to the NFC mode
Target -> Initiator	According to ISO14443A 100% ASK, Miller Coded	According to FeliCa™, 8-30 %ASK Manchester Coded	According to FeliCa™, 8-30 %ASK Manchester Coded	digital capability to handle this communication	according to the NFC mode

Note: Transfer speed above 424 kbit/s are not defined in the NFCIP-1. The PN532 supports these transfer speeds only with dedicated external circuitry.

9.1.4.2 PASSIVE Communication mode

Passive Communication Mode means that the target answers to an initiator command in a load modulation scheme. The initiator is active meaning generating the RF field.

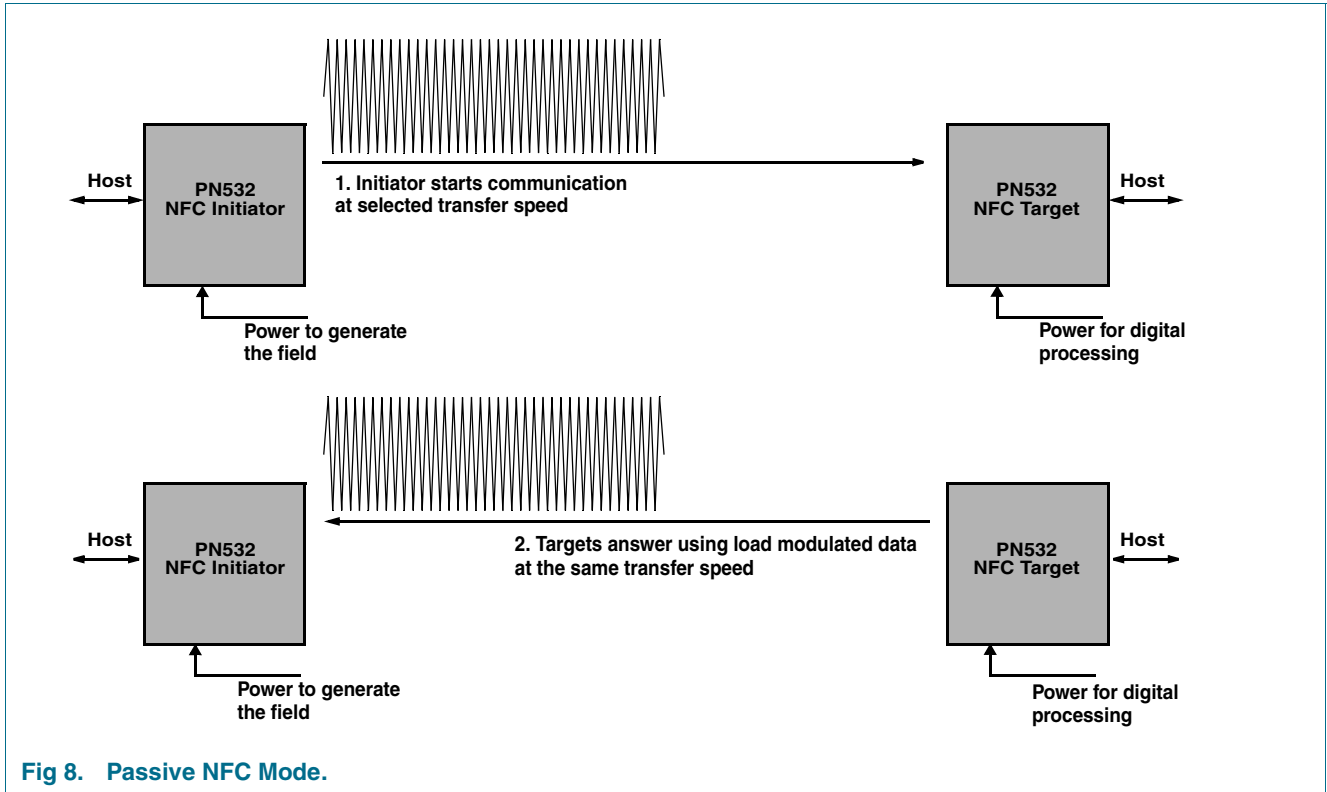


Fig 8. Passive NFC Mode.

The following table gives an overview of the active communication modes:

Table 9: Communication Overview for passive NFC

Communication direction	106 kbit/s	212 kbit/s	424 kbit/s	848 kbit/s	1.69 Mbit/s 3.39 Mbit/s
Initiator -> Target	According to ISO14443A 100% ASK, Miller Coded	According to FeliCa™, 8-30 %ASK Manchester Coded	According to FeliCa™, 8-30 %ASK Manchester Coded	digital capability to handle this communication according to the NFC mode	
Target -> Initiator	according to ISO14443 A subcarrier load modulation, Manchester Coded	according to FeliCa™, >12 % ASK, Manchester Coded	according to FeliCa™, >12 % ASK, Manchester Coded	digital capability to handle this communication according to the NFC mode	

Note: Transfer speed above 424 kbit/s are not defined in the NFCIP-1. The PN532 supports these transfer speeds only with dedicated external circuitry.

9.1.4.3 NFC FRAMING AND CODING

The NFCIP-1 framing and coding in active and passive communication modes are defined in the NFCIP-1 standard.

Table 10: NFC Framing and Coding Overview

Baudrate	Framing and Coding
106 kbaud	According to the ISO 14443A / MIFARE® scheme
212 kbaud	According to the FeliCa™ scheme
424 kbaud or higher	According to the FeliCa™ scheme

9.1.4.4 NFC Protocol Support

The NFCIP-1 protocol is not completely described in this document. For detailed explanation of the protocol refer to the NFCIP-1 standard. However the datalink layer is according to the following policy:

- Speed shall not be changed while continuum data exchange in a transaction.
- More than one transaction at a time in the same operation field is prohibited.
- Transaction includes initialisation and anticollision methods and data exchange (in continuous way, meaning no interruption by another transaction).

In order not to disturb current infrastructure based on 13.56 MHz general rules to start NFC communication are defined in the following way.

- Per default NFCIP-1 device is in target mode, meaning its RF field is switched off.
- The RF level detector is active
- Only if application requires the NFC device shall switch to initiator mode
- Initiator shall only switch on RF if no external RF field is detected by RF Level detector during a time of T_{IDT} .
- The initiator performs initialisation according to the selected mode.

9.1.5 Card operation mode

The PN532 can be addressed like a FeliCa™ or ISO 14443A / MIFARE® card. This means that the PN532 can generate an answer in a load modulation scheme according to the ISO 14443A / MIFARE® or FeliCa™ interface description.

Remark: The PN532 does not support a complete card protocol. This has to be handled by a dedicated card SAM or a micro-controller. The SAM is optional.

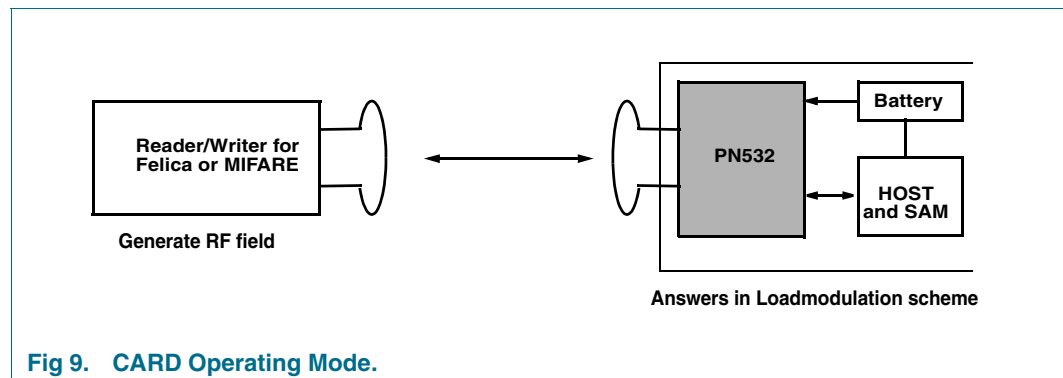


Fig 9. CARD Operating Mode.

9.1.5.1 MIFARE® card interface mode

Table 11: MIFARE® CARD operating mode

Communication direction	Transfer speed	MIFARE® / ISO14443A	MIFARE® Higher Baudrates	
		106kbit/s	212 kbit/s	424 kbit/s
PN532 receiving data from the reader / writer	Modulation on reader side	100 % ASK	100 % ASK	100 % ASK
	bit coding	Modified Miller coding	Modified Miller coding	Modified Miller coding
	Bitlength	$128/13.56 = 9.44 \mu\text{s}$	$64/13.56 = 9.44\mu\text{s}/2$	$32/13.56 = 9.44\mu\text{s}/4$
PN532 sending data back to the reader / writer	Modulation on PN532 side	Subcarrier load modulation	subcarrier load modulation	subcarrier load modulation
	Subcarrier frequency	$13.56\text{MHz}/16$	$13.56\text{MHz}/16$	$13.56\text{MHz}/16$
	bit coding	Manchester coding	BPSK	BPSK

9.1.5.2 FeliCa™ card interface mode

Table 12: FeliCa™ CARD operating mode

Communication direction	Baudrate	FeliCa™	FeliCa™ Higher Baudrates
		212kbaud	424kBaud
PN532 receiving data from the reader / writer	Modulation on reader side	8-14 % ASK	8-14 % ASK
	bit coding	Manchester Coding	Manchester Coding
	Bitlength	$64/13.56\mu\text{s}$	$32/13.56\mu\text{s}$
PN532 sending data back to the reader / writer	Modulation on PN532 side	>12% ASK, loadmodulation	>12% ASK, load modulation
	bit coding	Manchester coding	Manchester coding

10. Limiting values

Table 13: Limiting values

In accordance with the Absolute Maximum Rating System (IEC 60134).

Symbol	Parameter	Conditions	Min	Max	Unit
PVDD	Supply Voltage		-0.5	4	V
VBAT	Battery Supply Voltage		-0.5	6.0	V
P _{tot}	Total power dissipation			tbd	mW
I _{TX1}	Maximum current in transmitter TX1		-100	100	mA
I _{TX2}	Maximum current in transmitter TX2		-100	100	mA
T _{stg}	Storage temperature		-55	150	°C
T _j	Junction temperature			100	°C

Table 14: ESD Characteristics

Symbol	Parameter	Conditions	Specification	Value
ESDH	ESD Susceptibility (Human Body model)	1500 Ohm, 100pF	JESD22-A114-B	2 KV
ESDM	ESD Susceptibility (Machine model)	0.75 μH, 200 pF	JESD22-A114-A	200 V
ESDC	ESD Susceptibility (Charge Device model)	Field induced model	JESC22-C101-A	1 KV

11. Recommended operating conditions

Table 15: Operating conditions

Symbol	Parameter	Conditions	Min	Typ	Max	Unit
T _{amb}	Ambiant Temperature		-30	+25	+85	°C
VBAT	Battery Supply Voltage	VSS = 0V	[1] , [2] 2.7	5	5.4	V
PVDD	Supply voltage from host interface	VSS=0V	1.6	1.8-3.3	3.6	V

[1] VSS represents DVSS, TVSS1, TVSS2, AVSS.

[2] Supply voltage of VBAT below 3.3 V reduces the performance (e.g. the achievable operating distance).

12. Thermal characteristics

Table 16: Thermal characteristics

Symbol	Parameter	Conditions	Typ	Unit
R _{thj-a}	thermal resistance from junction to ambient (for HVQFN40 package)	in free air with exposed pad soldered on a 4 layer Jedec PCB-0.5	35	K/W

13. Characteristics

Table 17: Current Consumption

Symbol	Parameter	Conditions		Min	Typ	Max	Unit
Ihpd	Hard Power Down Current	PVDD=3V, RF level detector off	[5]			10	mA
ISPD	Soft Power down Current	PVDD=3V, RF level detector on	[5]			35	mA
IAVDD	Analog Supply Current	VBAT = 5V PVDD=3V, RF level detector on			tbd	6	mA
IAVDDrcvoff	Analog Supply Current	VBAT = 5V PVDD=3V, RF level detector off			3	5	mA
IPVDD	Pad Supply Current		[2]			tbd	mA
ISVDD	Output Supply Current for SAM	sam_switch_en set to 1	[3]			30	mA
ITVDD1,4	Transmitter Supply Current	Continuous Wave, VBAT = 5V	[1][4]		602	100	mA
IVBAT	Total Supply Current	Continuous Wave, VBAT = 5V	[1][4]		76,5	tbd	mA

[1] ITVDD depends on TVDD and the external circuitry connected to Tx1 and Tx2.

[2] IPVDD depends on the overall load at the digital pins.

[3] ISVDD depends on the overall load on SVDD pad.

[4] During operation with a typical circuitry the overall current is below 100 mA.

[5] ISPD and IHPD are the total currents over all supplies.

[6] Typical value using a complementary driver configuration and an antenna matched to 40 Ohm between TX1 and TX2 at 13.56 MHz.

14. Application information

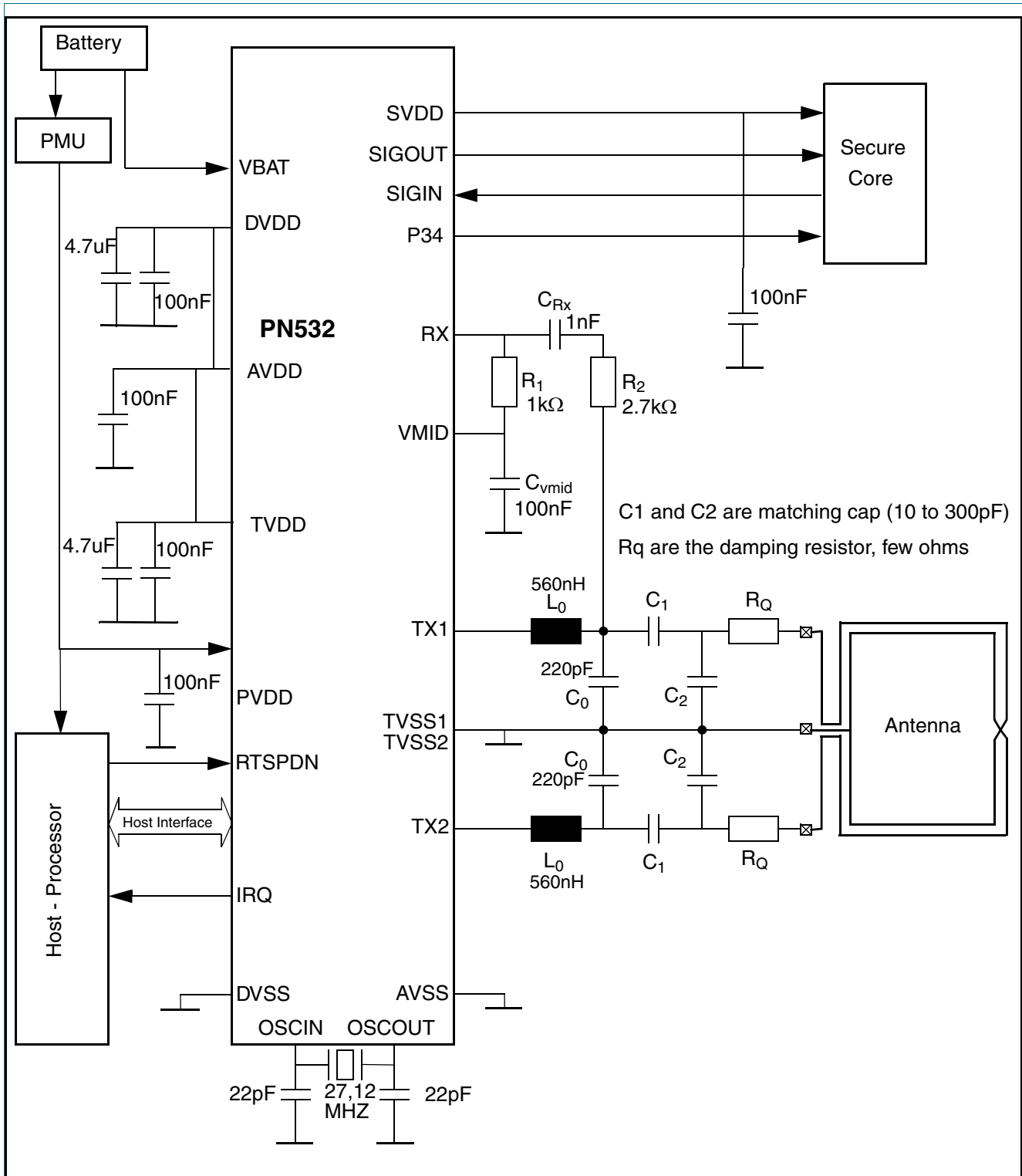


Fig 10. Application diagram of PN532

In the example the 27.12MHz quartz is a TAS-3225A, SMD

15. Package outline

HVQFN40: plastic thermal enhanced very thin quad flat package; no leads;
40 terminals; body 6 x 6 x 0.85 mm

SOT618-1

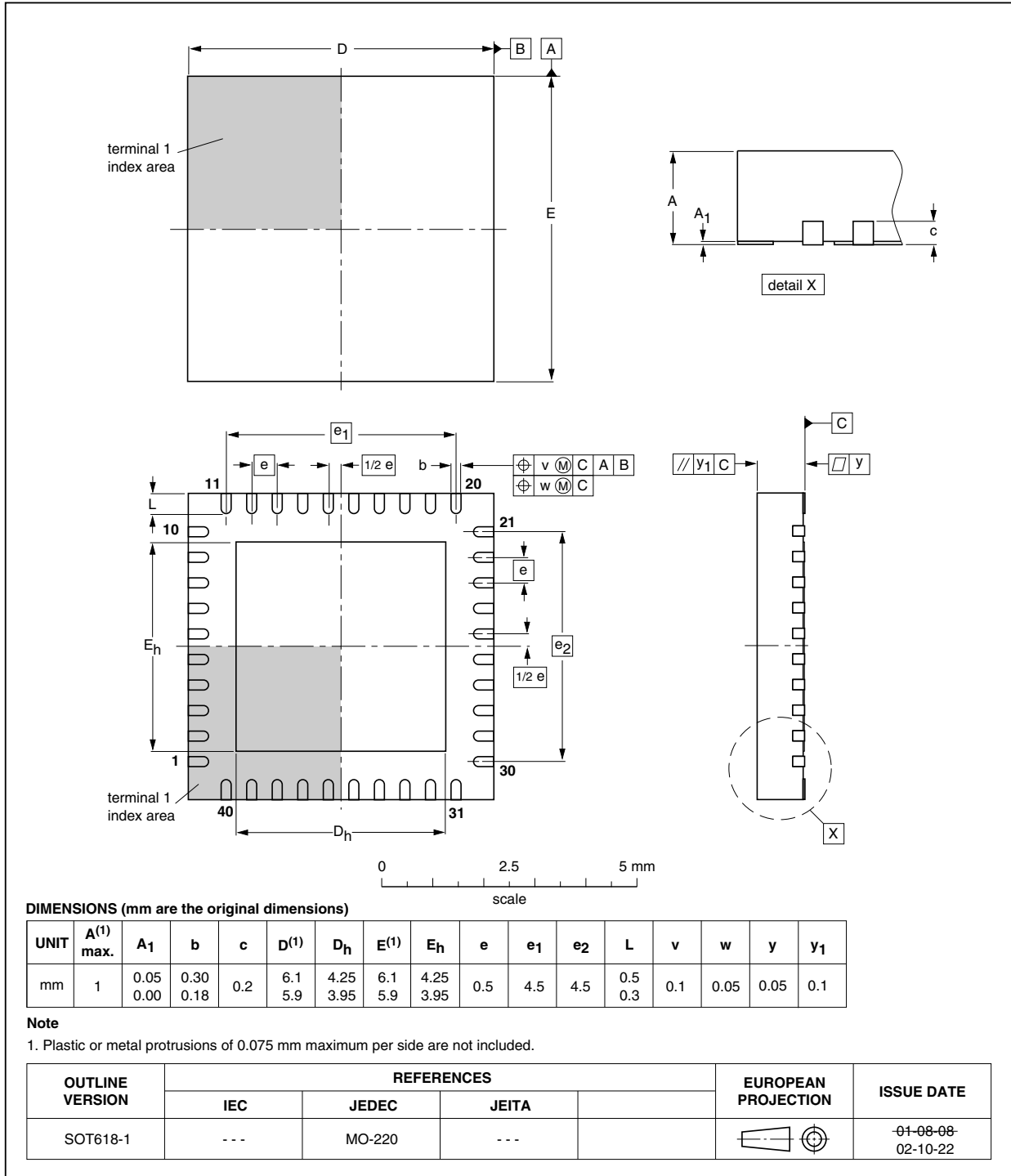


Fig 11. Package outline HVQFN40 (SOT618-1)

16. Abbreviations

Table 18: Abbreviations

Acronym	Description
ASK	Amplitude Shift keying
PCD	Proximity Coupling Device. Definition for a Card Reader/ Writer according to the ISO 14443 Specification
PICC	Proximity Cards. Definition for a contactless Smart Card according to the ISO14443 specification
PCD -> PICC	Communication flow between a PCD and a PICC according to the ISO14443A/MIFARE®
PICC -> PCD	Communication flow between a PICC and a PCD according to the ISO14443A/MIFARE®
Initiator	Generates RF field @ 13.56 MHZ and starts the NFCIP-1 communication.
Modulation Index	The modulation index is defined as the voltage ratio $(V_{max} - V_{min}) / (V_{max} + V_{min})$.
Loadmodulation Index	The load modulation index is defined as the card's voltage ratio $(V_{max} - V_{min}) / (V_{max} + V_{min})$ measured at the card's coil.
Target	Responds to initiator command either using load modulation scheme (RF field generated by Initiator) or using modulation of self generated RF field (no RF field generated by initiator).

17. Revision history

Table 19: Revision history

Document ID	Release date	Data sheet status	Change notice	Doc. number	Supersedes
	2006.01.08	short form data sheet		Draft 1.2	Initial version

18. Data sheet status

Level	Data sheet status ^[1]	Product status ^[2] ^[3]	Definition
I	Objective data	Development	This data sheet contains data from the objective specification for product development. Philips Semiconductors reserves the right to change the specification in any manner without notice.
II	Preliminary data	Qualification	This data sheet contains data from the preliminary specification. Supplementary data will be published at a later date. Philips Semiconductors reserves the right to change the specification without notice, in order to improve the design and supply the best possible product.
III	Product data	Production	This data sheet contains data from the product specification. Philips Semiconductors reserves the right to make changes at any time in order to improve the design, manufacturing and supply. Relevant changes will be communicated via a Customer Product/Process Change Notification (CPCN).

[1] Please consult the most recently issued data sheet before initiating or completing a design.

[2] The product status of the device(s) described in this data sheet may have changed since this data sheet was published. The latest information is available on the Internet at URL <http://www.semiconductors.philips.com>.

[3] For data sheets describing multiple type numbers, the highest-level product status determines the data sheet status.

19. Definitions

Short-form specification — The data in a short-form specification is extracted from a full data sheet with the same type number and title. For detailed information see the relevant data sheet or data handbook.

Limiting values definition — Limiting values given are in accordance with the Absolute Maximum Rating System (IEC 60134). Stress above one or more of the limiting values may cause permanent damage to the device. These are stress ratings only and operation of the device at these or at any other conditions above those given in the Characteristics sections of the specification is not implied. Exposure to limiting values for extended periods may affect device reliability.

Application information — Applications that are described herein for any of these products are for illustrative purposes only. Philips Semiconductors make no representation or warranty that such applications will be suitable for the specified use without further testing or modification.

20. Disclaimers

Life support — These products are not designed for use in life support appliances, devices, or systems where malfunction of these products can reasonably be expected to result in personal injury. Philips Semiconductors customers using or selling these products for use in such applications do so at their own risk and agree to fully indemnify Philips Semiconductors for any damages resulting from such application.

Right to make changes — Philips Semiconductors reserves the right to make changes in the products - including circuits, standard cells, and/or software - described or contained herein in order to improve design and/or performance. When the product is in full production (status 'Production'), relevant changes will be communicated via a Customer Product/Process

Change Notification (CPCN). Philips Semiconductors assumes no responsibility or liability for the use of any of these products, conveys no license or title under any patent, copyright, or mask work right to these products, and makes no representations or warranties that these products are free from patent, copyright, or mask work right infringement, unless otherwise specified.

21. Licenses

Purchase of Philips I²C-bus components



Purchase of Philips I²C-bus components conveys a license under the Philips' I²C-bus patent to use the components in the I²C-bus system provided the system conforms to the I²C-bus specification defined by Koninklijke Philips Electronics N.V. This specification can be ordered using the code 9398 393 40011.

Purchase of Philips RC5 components

Purchase of Philips RC5 components conveys a license under the Philips RC5 patent to use the components in RC5 system products conforming to the RC5 standard UATM-5000 for allocation of remote control commands defined by Koninklijke Philips Electronics N.V.

Purchase of NXP ICs with NFC technology

Purchase of an NXP Semiconductors IC that complies with one of the Near Field Communication (NFC) standards ISO/IEC 18092 and ISO/IEC 21481 does not convey an implied license under any patent right infringed by implementation of any of those standards. A license for the patents portfolio of NXP B.V. for the NFC standards needs to be obtained at Via Licensing, the pool agent of the NFC Patent Pool, e-mail: info@vialicensing.com.

22. Contact information

For additional information, please visit: <http://www.semiconductors.philips.com>

For sales office addresses, send an email to: sales.addresses@www.semiconductors.philips.com

23. Contents

1	Introduction	1
2	General description	1
3	Features	2
4	Applications	3
5	Quick reference data	3
6	Ordering information	4
7	Block diagram	5
8	Pinning information	6
8.1	Pin description	6
9	Functional description	8
9.1	CONTACT LESS MODULE	8
9.1.1	Simplify block diagram	9
9.1.2	Feature list	9
9.1.3	Operating Modes	10
9.1.4	NFCIP-1 MODE	13
9.1.5	Card operation mode	16
10	Limiting values	18
11	Recommended operating conditions	18
12	Thermal characteristics	18
13	Characteristics	19
14	Application information	20
15	Package outline	21
16	Abbreviations	22
17	Revision history	23
18	Data sheet status	24
19	Definitions	24
20	Disclaimers	24
21	Licenses	24
22	Contact information	24