

**PS-LD0301-032(S)**

(PRELIMINARY INFORMATION)

**DESCRIPTION :**

This low profile LED-Converter is developed for max. 3 LED-lines

 Optimized for **Optrex: T-55373D121J-FW-A-AAN**
**T-55374D121J-FW-A-AAN**
**T-55513D121J-LW-A-AAN**

 Optimized for **Mitsubishi: AA090ME01**
**AA121SM02**
**APPLICABLE:**

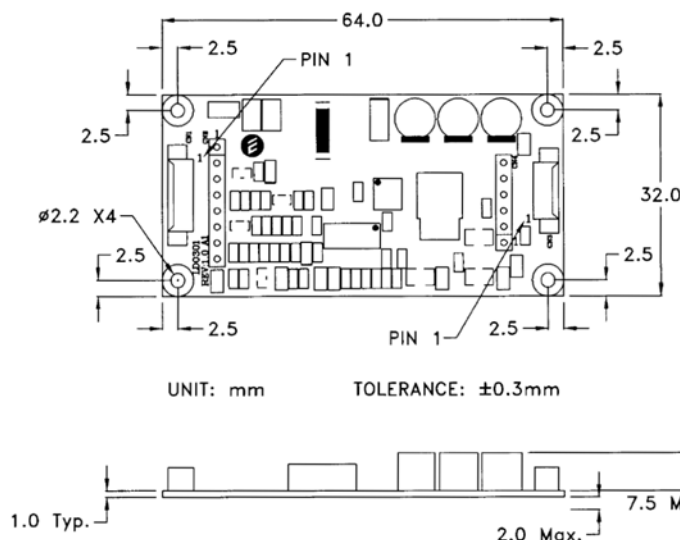
 1~3 LED lines (Serial Mode)  
 Pout max. 7W  
 LED Voltage max. 33Vdc  
 Lamp Current max. 120mAdc

**FEATURES :**

 Internal open LED detection for every line  
 Analog or ext. PWM dimming  
 1000:1 dimming ratio with external PWM  
 Remote ON / OFF  
 Wide input voltage range  
 RoHS compliant (S)

**TEMPERATURE & HUMIDITY :**

 Operating Temperature Range -20°C ~ +70°C  
 Storage Temperature Range -20°C ~ +85°C  
 Humidity 95 %RH max

**DIMENSIONS :**      **L x W x H    64 x 32 x 6.5 mm**

**Components**

No.	Part Description	Qty.	Material	Note
1	PCB	1	UL94V-0 (FR-4 or CEM-3)	t=1.0mm
2	Connector CN1	1	53261-0890 / PBD	Molex
3	Connector CN3	1	53261-0690 / PBD	Molex

**Power Systems – The Power Solution**

 Web: [www.Power-Systems.de](http://www.Power-Systems.de)  
 Email: [Info@Power-Systems.de](mailto:Info@Power-Systems.de)

 Address: Hauptstr. 48 ; 74360 Ilsfeld-Auenstein / Germany  
 Tel. : + 49 / 70 62 / 67 59 - 6  
 Fax: + 49 / 70 62 / 67 59 - 800

# LED-CONVERTER UNIT

PS-LD0301-032(S)

(PRELIMINARY INFORMATION)

### Input side CN1:

Pin No.	Symbols	Ratings
CN 1-1	Vin	4.75 ~ 13.2 Vdc
CN 1-2	Vin	4.75 ~ 13.2 Vdc
CN 1-3	Vrmt	0 ~ 1.5 = OFF / 2.5 ~ Vin = ON
CN 1-4	Ext. PWM	0 ~ 0.5 = LOW / 2.5 ~ 5 = HIGH
CN 1-5	Vbr	0.0 ~ 5.0 (5V=low brightness)
CN 1-6	GND	-
CN 1-7	GND	-
CN 1-8	GND	-

### Output side CN3:

Pin No.	Symbols	Ratings
CN 3-1	RTN1(-)	LED LINE 1 RETURN
CN 3-2	RTN2(-)	LED LINE 2 RETURN
CN 3-3	N.C.	
CN 3-4	N.C.	
CN 3-5	Vhigh(+)	33Vdc (120mArms)
CN 3-6	Vhigh(+)	33Vdc (120mArms)

### ELECTRICAL CHARACTERISTICS :

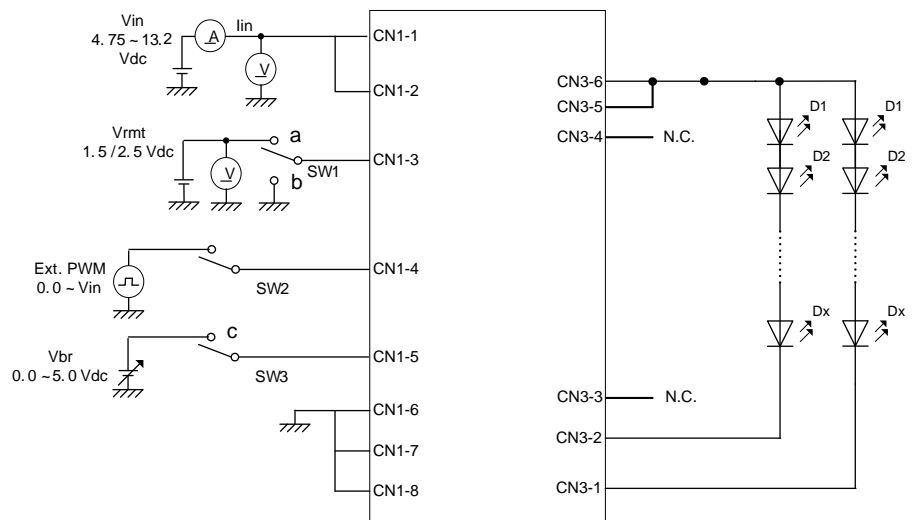
Parameters	Symbols	Conditions			Specification			Unit	Note
		Vin (V)	Vbr (V)	Tu (°C)	Min.	Typ.	Max.		
Output Current	Iout	4.75 ~ 13.2	0	-20~+70	TBD	120	TBD	mAdc	Duty 100% max current
Output Current	Imin	4.75 ~ 13.2	5	-20~+70	-	10	-	%	duty cycle
Input Current	Iin	4.75 ~ 13.2	0	-20~+70	TBD	1.0	TBD	Adc	*By 12V dc
Open Load Shutdown	Vbias	4.75 ~ 13.2	0	-20~+70	-	33	-	Vdc	
PWM Frequency	f(PWM)	4.75 ~ 13.2	0	-20~+70	150	-	300	Hz	
Output Power	Pout	4.75 ~ 13.2	0	-20~+70	TBD	TBD	TBD	Watt	Tu: -20~+50degC
Output Power	Pout	4.75 ~ 13.2	0	-20~+70	TBD	TBD	TBD	Watt	Tu: -20~+70degC
Output Power	Pout	4.75 ~ 13.2	0	-20~+70	TBD	TBD	TBD	Watt	For one line
Output Power	Pout	4.75 ~ 13.2	0	-20~+70	TBD	TBD	TBD	Watt	For one line

Note 1 : Do not use analog dimming and external PWM dimming at the same time.

Note 2 : Pin Terminal Style converters are mounted with Molex connectors.

Note 3 : External PWM-signal is LOW active.

### TEST CIRCUIT :



Connect Vbr to Ground while using ext. PWM dimming.

### CABLES :

**For input:** 500 mm, stripped and tinned ends, order key < input cable # 13>

**For output:** For Optrex panels an Mitsubishi panels in the top: matching connectors, 200 mm, order key <Adapter cable 14>

### Power Systems – The Power Solution

Web: [www.Power-Systems.de](http://www.Power-Systems.de)  
Email: [Info@Power-Systems.de](mailto:Info@Power-Systems.de)

Address: Hauptstr. 48 ; 74360 Ilsfeld-Auenstein / Germany  
Tel. : + 49 / 70 62 / 67 59 - 6  
Fax: + 49 / 70 62 / 67 59 - 800