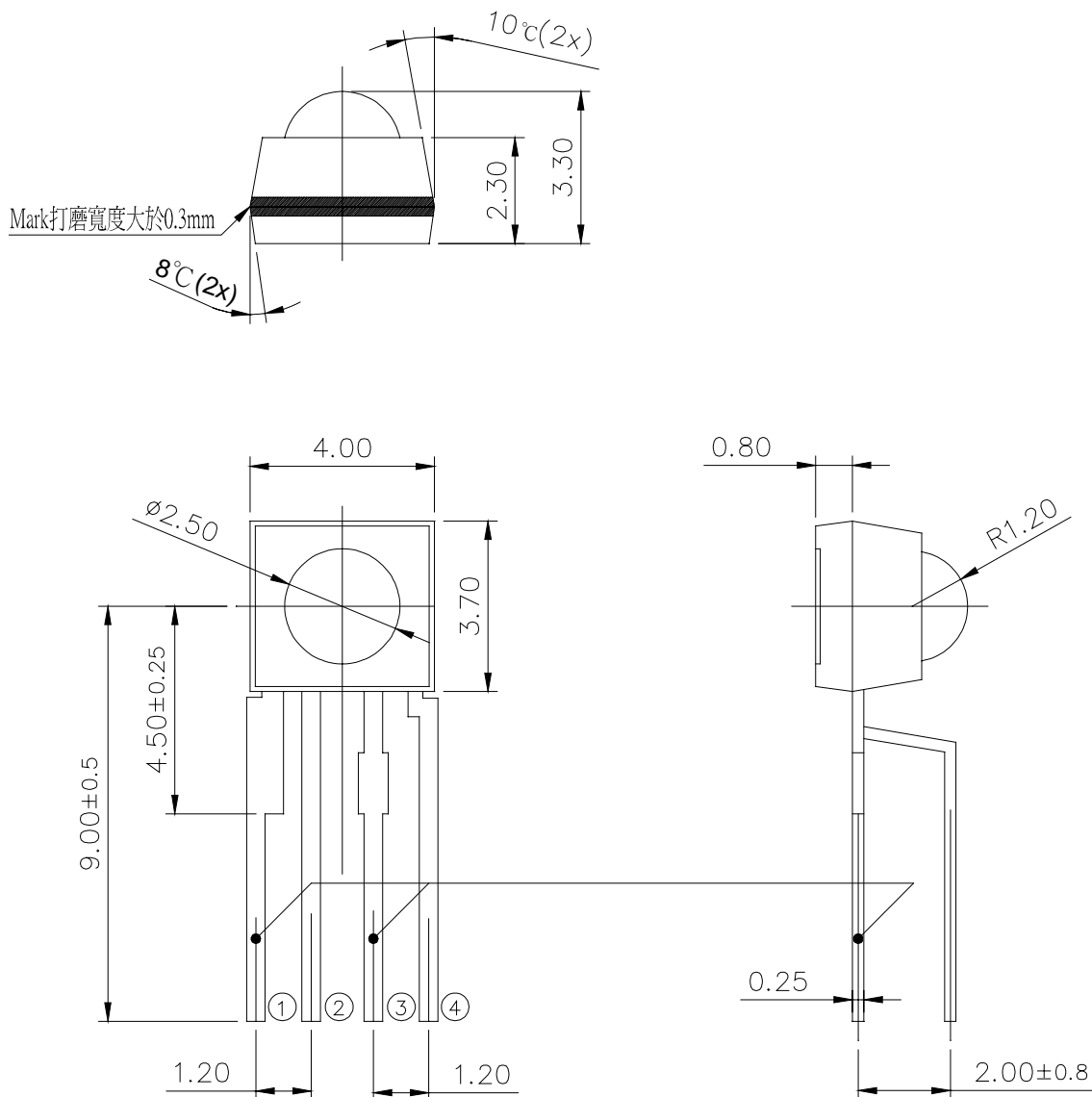


PRODUCT SPECIFICATION

DATE:05/30/2006

cosmo ELECTRONICS CORPORATION	Rambo IC : PS201LL-2	NO. 60S01006 SHEET 1 OF 2	VER. 1

Package dimensions :



Notes

- 1) All dimensions are in millimeters.
- 2) Tolerance is ± 0.25 mm unless otherwise note.
- 3) Protruded resin under flange 0.5 mm Max.
- 4) Load spacing measured where the leads emerge from the package.

Pin 1: Output B
 Pin 2: Ground
 Pin 3: Vcc
 Pin 4: Output A

PRODUCT SPECIFICATION

DATE:05/30/2006

cosmo ELECTRONICS CORPORATION	Rambo IC : PS201LL-2	NO. 60S01006	VER. 1
		SHEET 2 OF 2	

Absolute maximum ratings :

(Ta=25°C, unless otherwise specified)

Characteristics	Symbol	Rating	Unit
Supply voltage	Vcc	-0.2 ~ 7	V
Other voltage		-0.3 ~ Vcc +0.3	V
Operating temperature	Topr	-20 ~ +75	°C
Storage temperature	Tstr	-20 ~ +80	°C

Optical-electrical characteristics :

(Ta=25°C, unless otherwise specified)

Parameter	Test Conditions	Symbol	Min.	Typ.	Max.	Unit
Supply voltage		Vcc	3.5	5	5.5	V
Supply current	Vcc=5.5V all output low	Icc		0.1	3	μA
Output current	Vcc=5V, Voh=4.5V	Ioh			-450	μA
	Vcc=5V, Vol=0.5V	Iol	2.5			mA

Timing chart :

