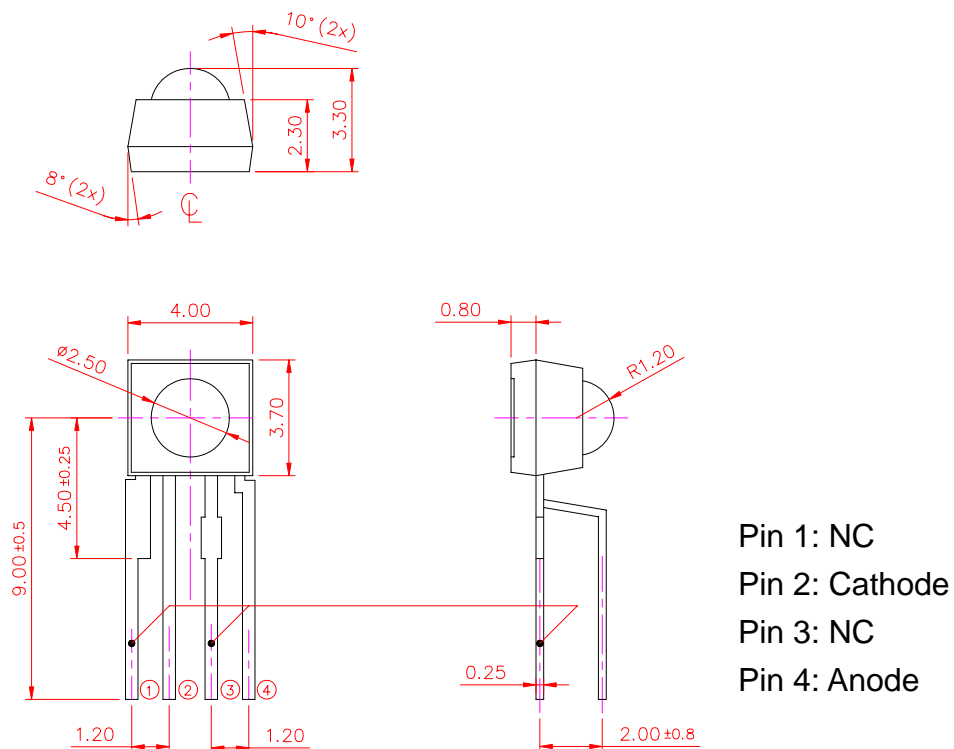


PRODUCT SPECIFICATION

DATE:02/17/2006

cosmo ELECTRONICS CORPORATION	Rambo IC : PS202L-1	NO. 60S00001	VER. 1
		SHEET 1 OF 2	

Package dimensions :



Notes

- 1) All dimensions are in millimeters.
- 2) Tolerance is ± 0.25 mm unless otherwise note.
- 3) Protruded resin under flange 0.5 mm Max.
- 4) Lead spacing measured where the leads emerge from the package.

PRODUCT SPECIFICATION

DATE:02/17/2006

cosmo ELECTRONICS CORPORATION	Rambo IC : PS202L-1	NO. 60S00001	VER. 1
		SHEET 2 OF 2	

Absolute maximum ratings :

(Ta=25°C, unless otherwise specified)

Characteristics	Symbol	Rating	Unit
Forward current	IF	50	mA
Power dissipation	PD	70	mW
Operating temperature	Topr	-20 ~ +75	°C
Storage temperature	Tstr	-20 ~ +80	°C
Soldering temperature 10 Second	Tsol	260	°C

Electro-Optical characteristics (Ta=25°C) :

(Ta=25°C, unless otherwise specified)

Parameter	Symbol	Condition	Min.	Typ.	Max.	Unit
Forward voltage	V _f	I _f = 20mA		1.25	1.45	V
		I _f = 100mA		1.50		
Reverse voltage	V _r	I _r = 10μA	5			V
Radiated output power	P _u	I _f = 20mA	0.60			mW
Spectrum width of half value	Δλ	I _f = 20mA		50		nm
Wavelength	λ _p	I _f = 20mA		940		nm