

PS222S

Version : A.001
Issue Date : 2003/09/04
File Name : SP-PS222S-A.001.doc
Total Pages : 13

3-Channel Secondary Monitoring IC
With Over-Current Protection
And an Additional 12V OCP Channel



新竹市科學園區展業一路9號7樓之1

SILICON TOUCH TECHNOLOGY INC.

9-7F-1, Prosperity Road I, Science Based Industrial Park,

Hsin-Chu, Taiwan 300, R.O.C.

Tel : 886-3-5645656

Fax : 886-3-5645626

PS222S

3-Channel Secondary Monitoring IC With Over-Current Protection And an Additional 12V OCP Channel

General Description

PS222S is specially designed for switching power supply system. Four important functions of PS222S are the following: over-voltage protection, over-current protection, under-voltage protection and power good signal generating.

OVP/UVP (Over-Voltage/Under-Voltage Protection) monitors 3.3V, 5V and 12V to protect our power supply. FPO/ goes to high when one of these supply voltages exceeds their normal operation voltage range.

OCP (Over Current Protection) monitors IS33, IS5, IS12 input current sense. Composed of “I_{ref}” and “protection current range resistor”, an adjustable over-current condition helps users design OCP easily.

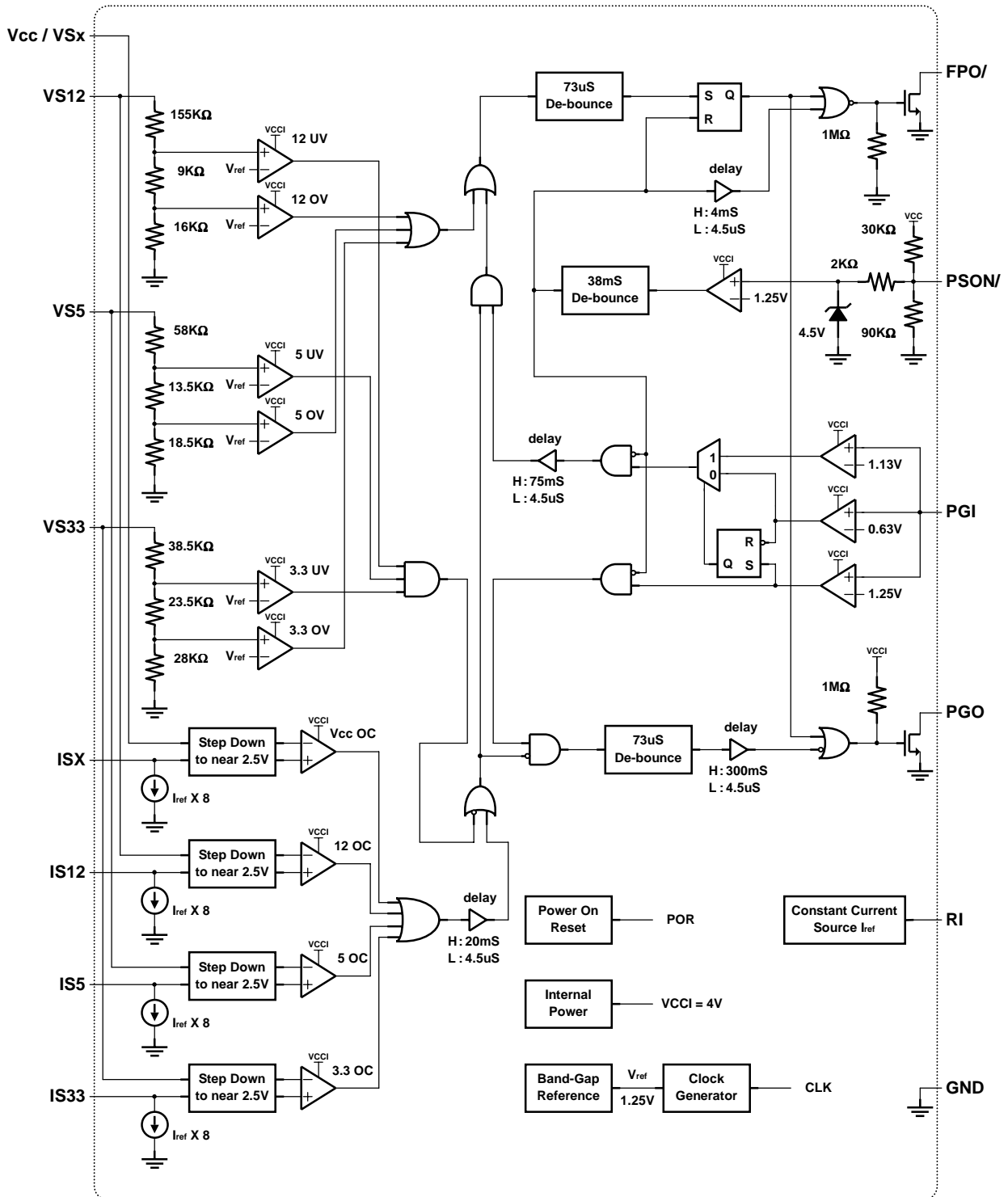
An additional OCP channel helps users monitor another 12V rail output current.

Power good signal generating can notify personal computer when power supply is ready or power supply is going to shutdown, therefore it can provide a reliable power supply environment.

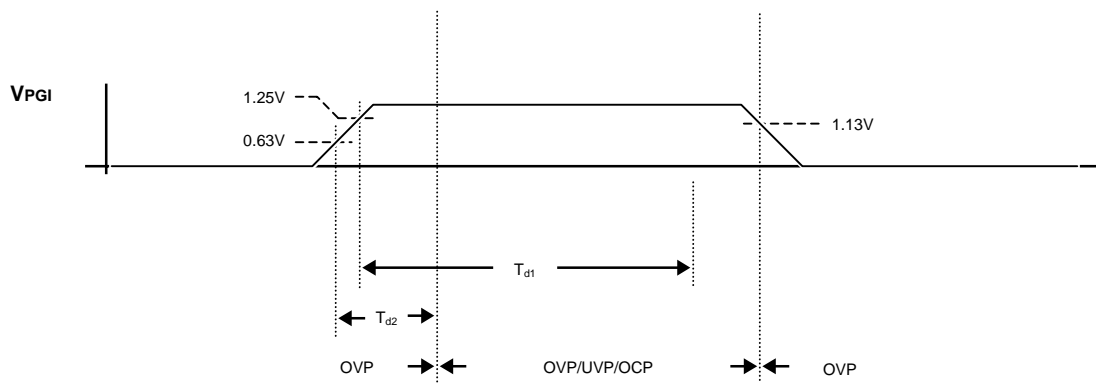
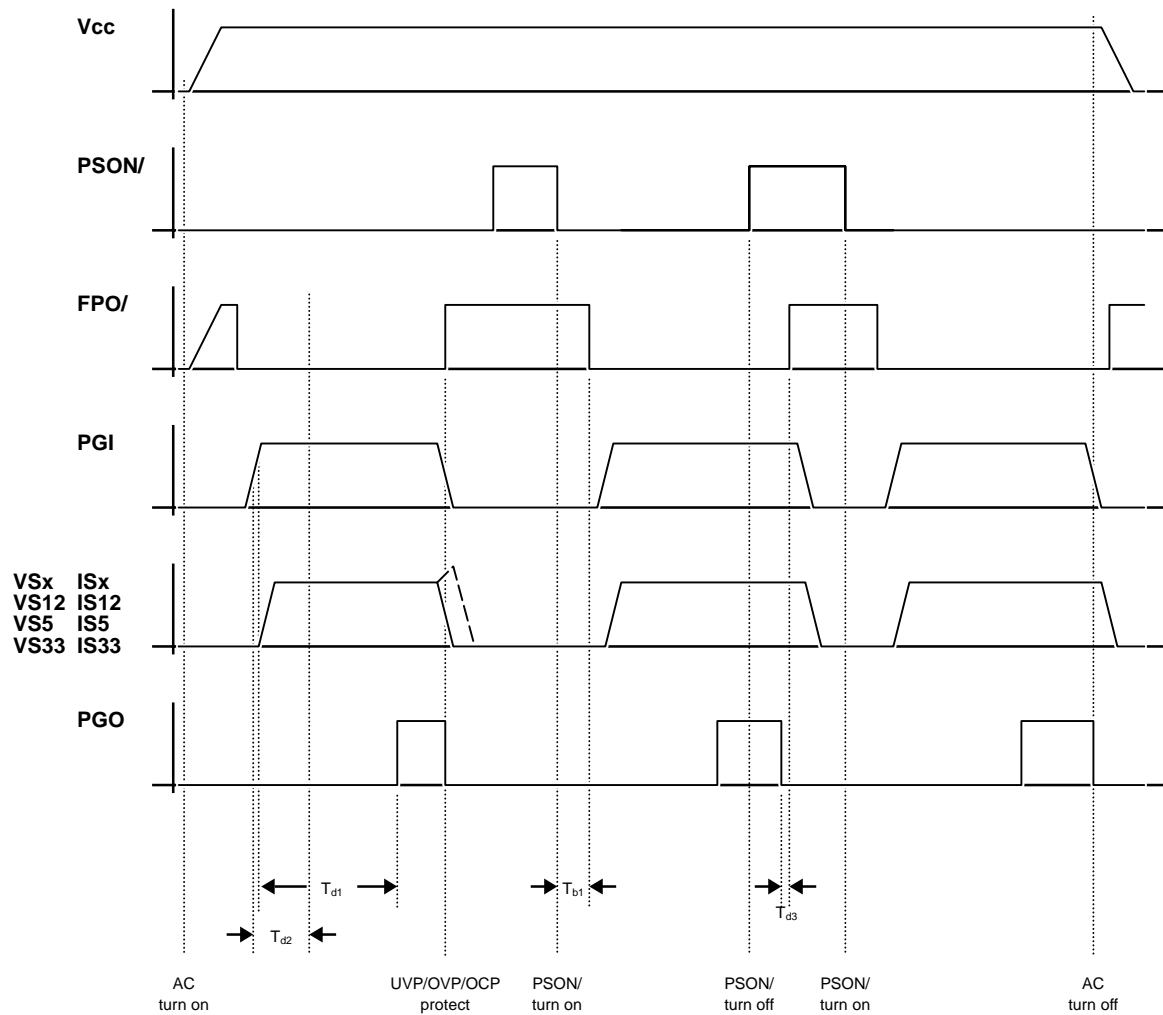
Features

- Over/Under-voltage protection and lock out
- Over-current protection and lock out
- Fault protection output with open drain output stage
- Open drain power good output signal for power good input
- Built-in 300mS power good delay
- AC on 75mS delay for UV/OC protection
- 38mS PSON/ control de-bounce
- 73uS de-bounce for noise immunity
- Wide power supply range (4.2V~16V)
- Special care for AC power off

Block Diagram



Timing Chart



Pin Descriptions

Pin No	PIN NAME	Descriptions
1	PGI	Power good input signal pin
2	GND	Ground
3	FPO/	Inverted fault protection output ,open drain output stage
4	PSON/	Remote ON/OFF control input pin
5	IS12	12V(1) over current protection input pin
6	RI	Current sense setting
7	ISx	12V(2) over current protection input pin
8	IS5	5.0V over current protection input pin
9	IS33	3.3V over current protection input pin
10	VS12	12V(1) over/under voltage protection input pin
11	VS33	3.3V over/under voltage protection input pin
12	VS5	5.0V over/under voltage protection input pin
13	VCC / VSx	Power supply
14	PGO	Power good output signal pin , open drain output stage

Absolute Maximum Ratings

Parameter		Rating	Unit
Storage Temperature	(T _{stg})	-40 to +125	°C
Operating Temperature	(T _{opr})	-30 to +90	°C
Supply Voltage	(V _{cc})	VCC/VSx	-0.5 to +16.0 V
Input Voltage Range	(V _i)	ISX, VS12, IS12	-0.5 to +16.0 V
		VS5, IS5	-0.5 to +9.0 V
		VS33, IS33	-0.5 to +7.0 V
		PGI	-0.5 to +16.0 V
		PSON/	-0.5 to V _{cc} +0.5 V
Output Voltage Range	(V _o)	FPO/	-0.5 to +16.0 V
		PGO	-0.5 to V _{cc} +0.5 V
Output Current for RI	(I _{RI})	RI	12.5 to 62.5 uA
ESD Susceptibility*	(V _{ESD})	PSON/, PGO	> 5000 V
		FPOB, VS12	> 2000 V
		PGI, IS12, VS5	> 3000 V
		Others	> 4000 V

* Human Body Model (HBM).

Electrical Characteristics, $V_{CC}=12V$, T_a = Full range. (unless otherwise specified)

Power Supply Section

Parameter	Conditions	MIN	TYP	MAX	Unit
Supply Voltage		4.2	5.0	16.0	V
Supply Current	$V_{PSON} = 5V$		2	3	mA
Power On Reset Threshold Voltage (V_{POR})		3.2	3.4	3.6	V
Power On Reset Hysteresis (V_{HYST})		-0.15	-0.3	-0.45	V

Over-Voltage Section

Parameter	Conditions	MIN	TYP	MAX	Unit
Over-Voltage Threshold	VS33	3.7	3.9	4.1	V
	VS5	5.7	6.1	6.5	V
	VS12	13.1	13.8	14.5	V

Under-Voltage Section

Parameter	Conditions	MIN	TYP	MAX	Unit
Under-Voltage Threshold	VS33	2.0	2.2	2.4	V
	VS5	3.3	3.5	3.7	V
	VS12	8.5	9.0	9.5	V

Over-Current Section

Parameter	Conditions	MIN	TYP	MAX	Unit
Offset Voltage (OCP Comparator)	VSx, ISx	-5	-2	1	mV
	VS33, IS33	-5	-2	1	mV
	VS5, IS5	-5	-2	1	mV
	VS12, IS12	-5	-2	1	mV
Constant Current Generator Voltage (V_{RI})		1.20	1.25	1.30	V

Electrical Characteristics (Continued)

PSON/, Analog Input

Parameter	Conditions	MIN	TYP	MAX	Unit
Threshold Voltage		1.16	1.25	1.33	V
Hysteresis (V_{HYST})		20	50	80	mV

PGI, Analog Input

Parameter	Conditions	MIN	TYP	MAX	Unit
Threshold Voltage for start T_{d1}		1.16	1.25	1.33	V
Threshold Voltage for start T_{d2}		0.60	0.63	0.75	V
Threshold Voltage for mask OC,UV		1.05	1.13	1.21	V
Hysteresis (V_{HYST})*		-20	-50	-80	mV

* All of the comparator for PGI input in block diagram.

PGO, Open Drain Digital Output

Parameter	Conditions	MIN	TYP	MAX	Unit
Leakage Current (I_{LKG})	$V_{PGO}=5V$			5	μA
Low Level Output Voltage (V_{OL})	$I_{SINK}=10mA$			0.3	V

FPO/, Open Drain Digital Output

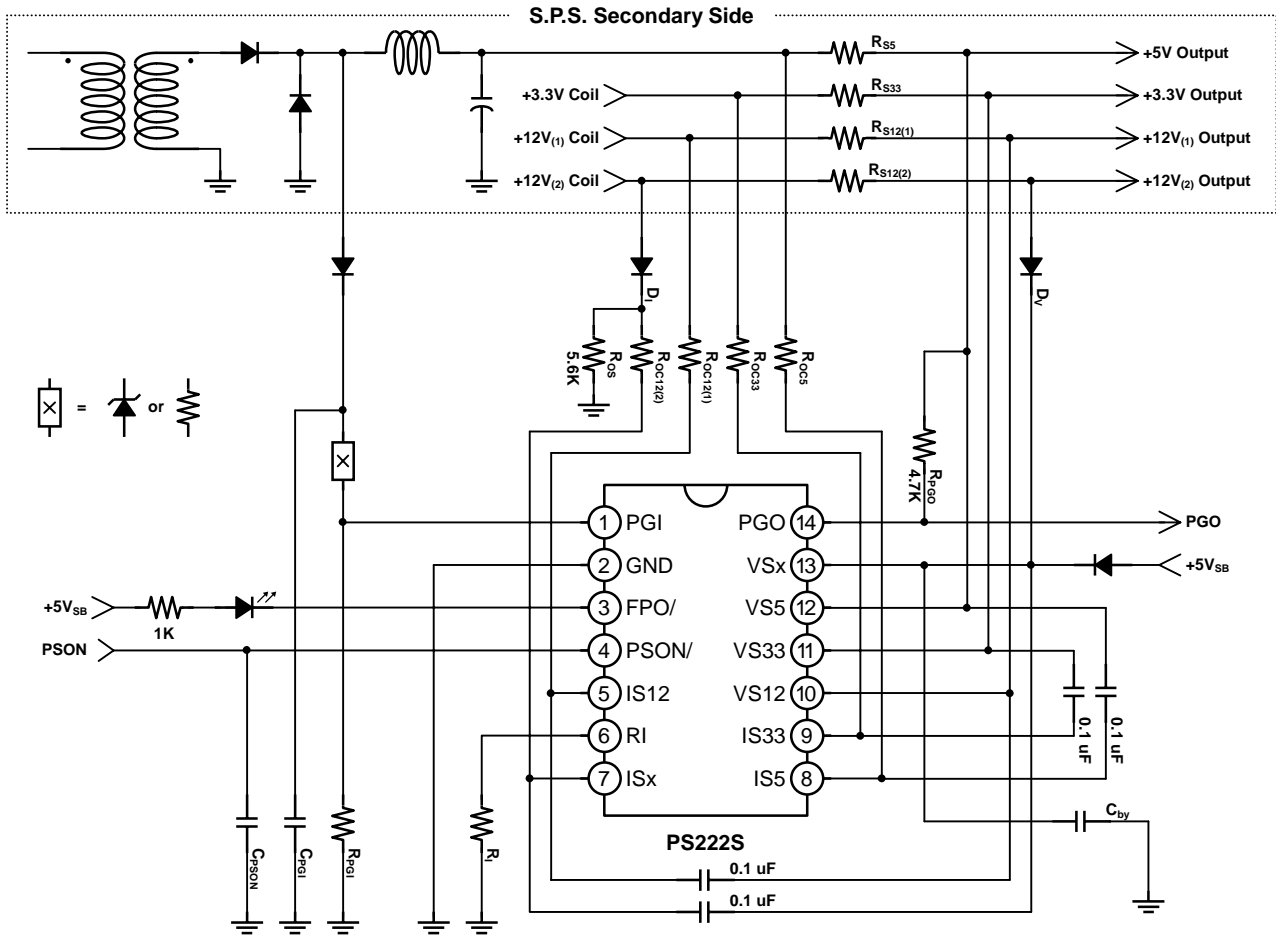
Parameter	Conditions	MIN	TYP	MAX	Unit
Leakage Current (I_{LKG})	$V_{FPO}=5V$			5	μA
Low Level Output Voltage (V_{OL})	$I_{SINK}=10mA$			0.3	V

Switching Characteristics, $V_{CC}=12V$, T_a = Full range.

Parameter	Conditions	MIN	TYP	MAX	Unit
PGI to PGO Delay Time (T_{d1})		200	300	400	mS
Short Circuit Delay Time (T_{d2})		49	75	100	mS
PGO to FPO/ Delay Time (T_{d3})		2	4	6	mS
Over Current Delay Time (T_{d4})		13	20	27	mS
PSON/ De-bounce Time (T_{b1})		24	38	52	mS
FPO/ Noise De-glitch Time (T_{b2})		47	73	100	μS
PGO Noise De-glitch Time (T_{b3})		47	73	100	μS

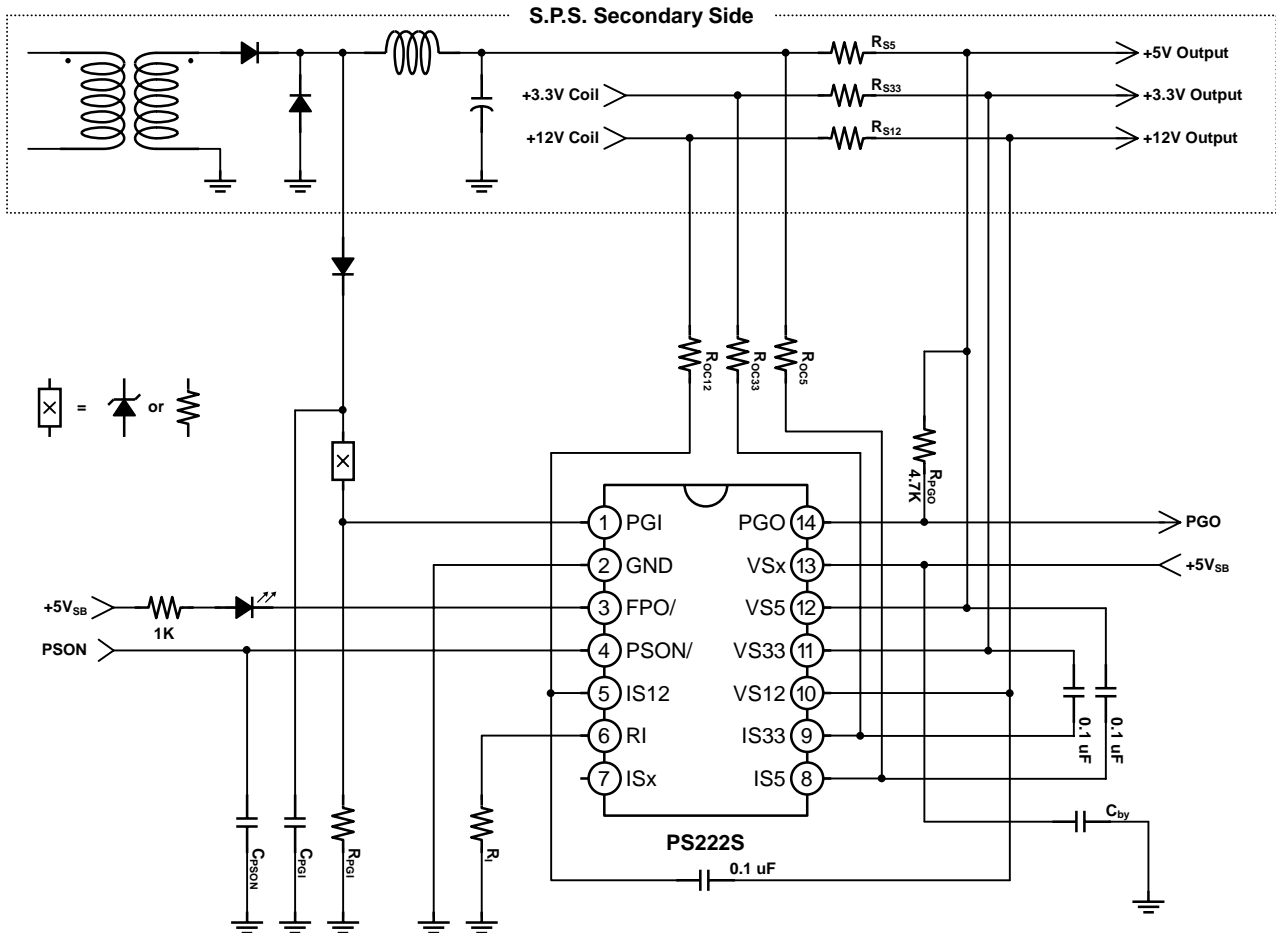
Application

Typical 4 rails SPS (Dual 12V OCP)



Application (Continued)

Typical 3 rails SPS (Single 12V OCP)



Notes:

1. Zener diode or resistor or both of them can be used in component X.
2. The bypass capacitor C_{by} suggests to be 0.1uF~ 10uF and layout nearby pin VCC.
3. The recommend sense values of $R_{S12(1)}$, $R_{S12(2)}$, R_{S5} and R_{S33} are $\geq 0.002 \Omega$.
4. Over-Current Protection design example:

$$(1) I_{ref} = 20\mu A, R_I = \frac{V_{RI}}{I_{RI}} = \frac{1.25}{20\mu} = 62.5K(\Omega)$$

$$(2) R_{S5} = 0.002 \Omega, \Delta V_{5V} = 0.002 \times I_{+5V} = R_{OC5} \times 8 \times I_{ref}$$

$$(3) \text{ If } +5V \text{ OCP trip point is } 20A, R_{OC5} = \frac{0.002 \times 20}{8 \times 20\mu} = 250(\Omega)$$

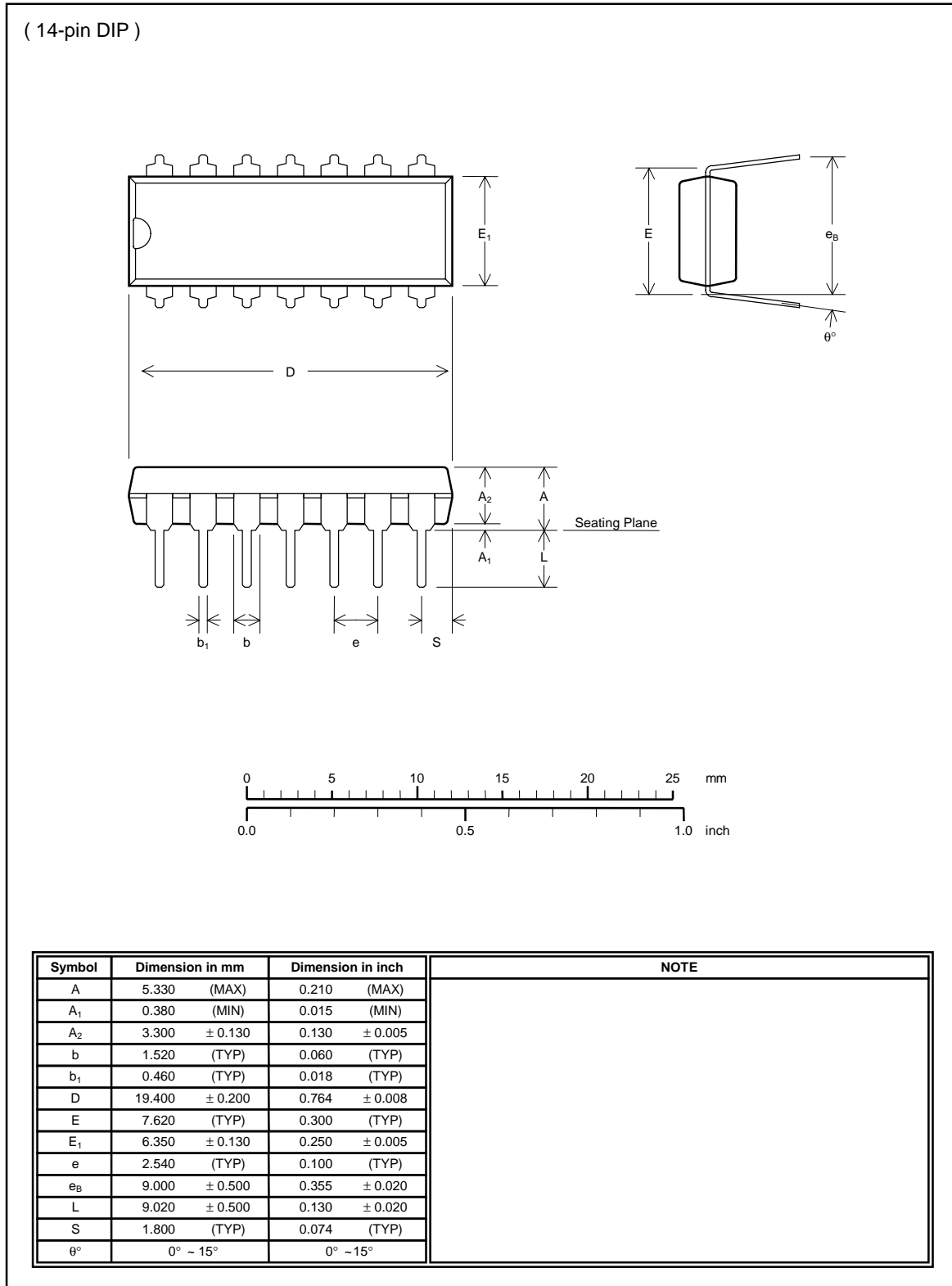
5. GND path:

- (1) The GND path width is wider as far as it could.
- (2) The better grounding ability has better performance at surge test.

6. PS222S uses single 12VOCP protection function:

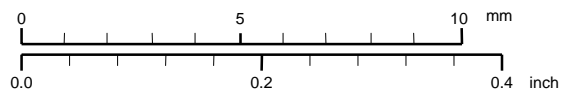
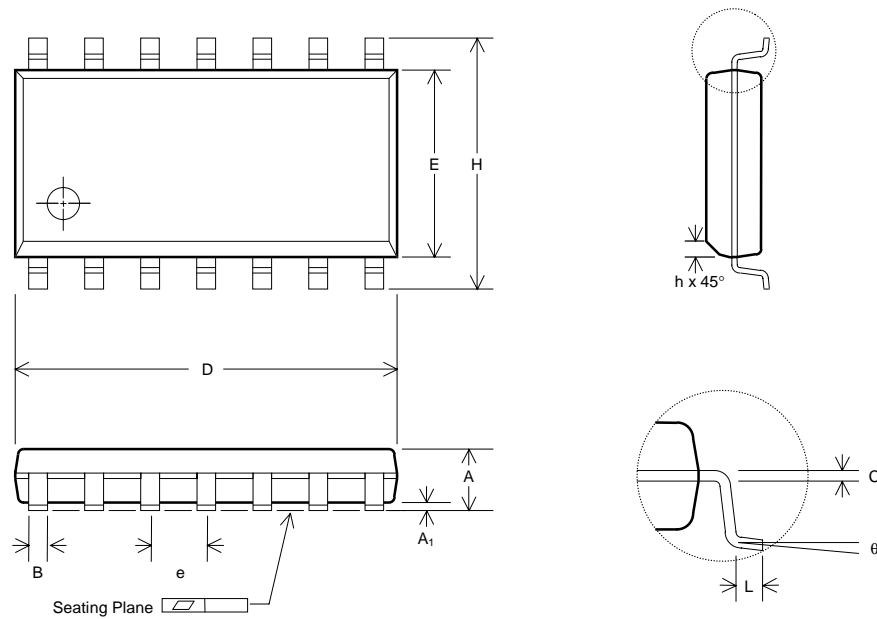
As "Typical 3 rails SPS" application circuit, the pin7(ISx) must be connected a resistor(Resistance>10k Ω) to GND or floating.

Package Specification



Package Specification (Continued)

(14-pin SOP)



Symbol	Dimension in mm		Dimension in inch		NOTE
	MIN.	MAX.	MIN.	MAX.	
A	1.35	1.75	0.0532	0.0688	
A ₁	0.1	0.25	0.0040	0.0098	
B	0.33	0.51	0.013	0.020	
C	0.19	0.25	0.0075	0.0098	
e	1.27BSC		0.050BSC		
D	8.55	8.75	0.3367	0.3444	
H	5.80	6.20	0.2284	0.2440	
E	3.80	4.00	0.1497	0.1574	
L	0.40	1.27	0.016	0.050	
h	0.25	0.50	0.0099	0.0196	
θ	0°	8°	0°	8°	



The products listed herein are designed for ordinary electronic applications, such as electrical appliances, audio-visual equipment, communications devices and so on. Hence, it is advisable that the devices should not be used in medical instruments, surgical implants, aerospace machinery, nuclear power control systems, disaster/crime-prevention equipment and the like. Misusing those products may directly or indirectly endanger human life, or cause injury and property loss.

Silicon Touch Technology, Inc. will not take any responsibilities regarding the misuse of the products mentioned above. Anyone who purchases any products described herein with the above-mentioned intention or with such misused applications should accept full responsibility and indemnify. Silicon Touch Technology, Inc. and its distributors and all their officers and employees shall defend jointly and severally against any and all claims and litigation and all damages, cost and expenses associated with such intention and manipulation.

Silicon Touch Technology, Inc. reserve the right to make changes to their products or to discontinue any product or service without notice, and advise customers to obtain the latest version of relevant information to verify, before placing orders, that information being relied on is current and complete.