

# 13 Amp Plug Style Case

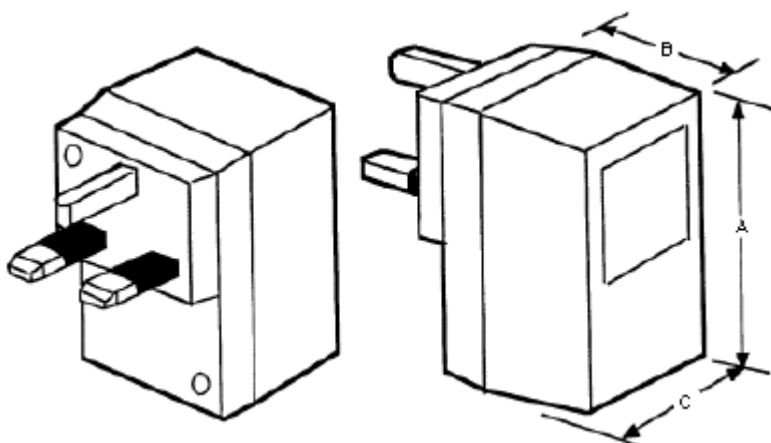
## PS5 Series



### Features:

- A battery eliminator style case moulded in black or white ABS with choice of plastic or brass earth pins
- Removable internal moulding supports 6 VA transformer and separates live and neutral solder spills
- Features knockout for multiposition switch, provision made for cable outlet
- The two halves are held together by two self-tapping screws accessible from the 13 A pin side of the case. Anti-tamper screws covers are provided to present easy access
- Solder spills are provided for direct connection to a transformer

**Warning :** This unit should not be used with mains voltage until fully assembled



### Specification Table

Type	Earth Pin Material	Colour	Overall Dimensions			Part Number
			A	B	C	
Standard	Plastic	Black	79	50	53	PS5B
	Brass					PS5MEP
		White				PS5WMEP

Dimensions : Millimetres

**Important Notice :** This data sheet and its contents (the "Information") belong to the members of the Premier Farnell group of companies (the "Group") or are licensed to it. No licence is granted for the use of it other than for information purposes in connection with the products to which it relates. No licence of any intellectual property rights is granted. The Information is subject to change without notice and replaces all data sheets previously supplied. The Information supplied is believed to be accurate but the Group assumes no responsibility for its accuracy or completeness, any error in or omission from it or for any use made of it. Users of this data sheet should check for themselves the Information and the suitability of the products for their purpose and not make any assumptions based on information included or omitted. Liability for loss or damage resulting from any reliance on the Information or use of it (including liability resulting from negligence or where the Group was aware of the possibility of such loss or damage arising) is excluded. This will not operate to limit or restrict the Group's liability for death or personal injury resulting from its negligence. Multicomp is the registered trademark of the Group. © Premier Farnell plc 2012.