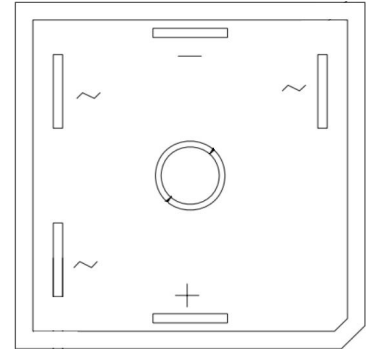
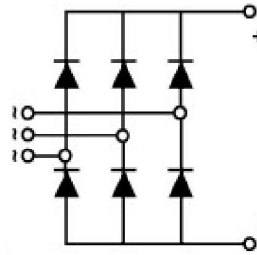


Three Phase Rectifier Bridges

FEATURES

- I_o : 25A
- V_{RRM} : 400V~1600V
- Glass passivated chip
- High surge forward current capability
- Minimum Lot-to-Lot variations for robust device performance and reliable operation



APPLICATIONS

- General purpose 3 phase Bridge rectifier applications

ABSOLUTE MAXIMUM RATINGS

SYMBOL	PARAMETER	CONDITIONS	VALUE	UNIT
V_{RRM}	Repetitive Peak Reverse Voltage		1600	V
I_o	Average Forward Current	60Hz sine wave, R-load, With heatsink $T_c=55^\circ\text{C}$	25	A
I_{FSM}	Surge Forward Current	60Hz sine wave, 1 cycle, $T_a=25^\circ\text{C}$	500	A
I^2t	I^2t for fusing	$1\text{ms} \leq t < 8.3\text{ms}$, $T_J=25^\circ\text{C}$, Rating of per diode	1040	A^2s
T_J	Junction Temperature		-40~150	$^\circ\text{C}$
T_{stg}	Storage Temperature		-40~150	$^\circ\text{C}$

THERMAL CHARACTERISTICS

SYMBOL	PARAMETER	MAX	UNIT
$R_{th\ j-c}$	Thermal Resistance, Junction to Case, With heatsink	0.9	/W

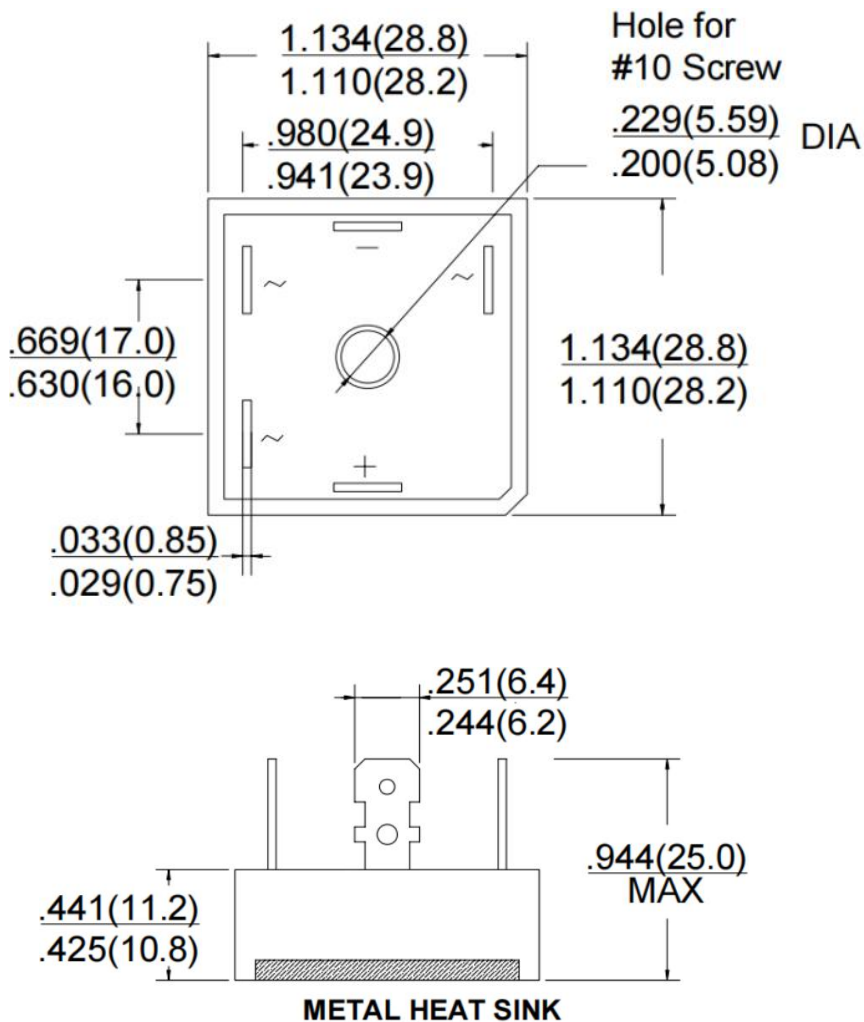
Three Phase Rectifier Bridges

ELECTRICAL CHARACTERISTICS

SYMBOL	PARAMETER	CONDITIONS	MAX	UNIT
V _{FM}	Forward Voltage drop	I _{FM} =17A, Pulse measurement, Rating of per diode	1.2	V
I _R	Peak Reverse Current	V _{RM} =V _{RRM} , Pulse measurement, Rating of per diode	10	μA

PACKAGE OUTLINE

Dimensions for inches and (millimeters)





NOTICE:

ISC reserves the rights to make changes of the content herein the datasheet at any time without notification. The information contained herein is presented only as a guide for the applications of our products.

ISC products are intended for usage in general electronic equipment. The products are not designed for use in equipment which require specialized quality and/or reliability, or in equipment which could have applications in hazardous environments, aerospace industry, or medical field. Please contact us if you intend our products to be used in these special applications.

ISC makes no warranty or guarantee regarding the suitability of its products for any particular purpose, nor does ISC assume any liability arising from the application or use of any products, and specifically disclaims any and all liability, including without limitation special, consequential or incidental damages.