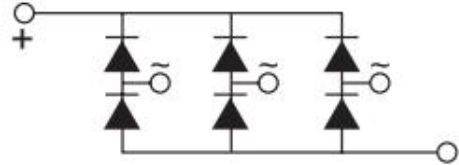


## Three Phases Bridge Module

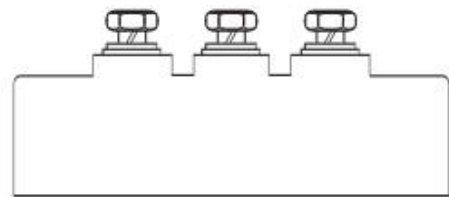
### FEATURES

- The chips are electrically insulated from the mounting plate
- High surge current
- Low forward voltage drop
- Minimum Lot-to-Lot variations for robust device performance and reliable operation



### APPLICATIONS

- AC, DC Motor Drive/AVR/Switching for three phase rectification



### ABSOLUTE MAXIMUM RATINGS

SYMBOL	PARAMETER	CONDITIONS	VALUE	UNIT
$V_{RRM}$	Repetitive Peak Reverse Voltage	$t_p=10ms$	1200	V
$I_d(AV)$	Output Current (D.C)	$T_C=100^{\circ}C$	63	A
$I_{FSM}$	Surge Forward Current	Half-sine wave, 10ms, $V_R=0.6V_{RRM}$	1200	A
$I^2t$	$I^2t$ for fusing		7200	A <sup>2</sup> S
$V_{iso}$	Maximum Power Dissipation	50Hz, R.M.S, $t=1ms, I_{iso}=1mA(max)$	2500	V
$T_J$	Junction Temperature		-40~150	$^{\circ}C$
$T_{stg}$	Storage Temperature Range		-40~125	$^{\circ}C$

### THERMAL CHARACTERISTICS

SYMBOL	PARAMETER	MAX	UNIT
$R_{th-j-c}$	Thermal Resistance, Junction to Case	0.2	$^{\circ}C/W$

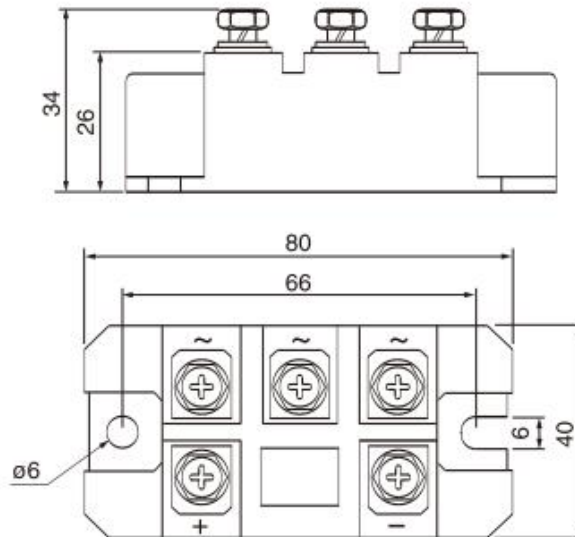
Three Phases Bridge Module

ELECTRICAL CHARACTERISTICS

SYMBOL	PARAMETER	CONDITIONS	MAX	UNIT
$V_F$	Forward Voltage drop	$I_F=100A$ ; $T_J=25^{\circ}C$	1.3	V
$I_{RRM}$	Repetitive Peak Reverse Current	$V_R=V_{RRM}$ ; $T_J=150^{\circ}C$	8	mA

OUTLINE DRAWING

Dimensions in mm (1mm = 0.0394")



NOTICE:

ISC reserves the rights to make changes of the content herein the datasheet at any time without notification. The information contained herein is presented only as a guide for the applications of our products.

ISC products are intended for usage in general electronic equipment. The products are not designed for use in equipment which require specialized quality and/or reliability, or in equipment which could have applications in hazardous environments, aerospace industry, or medical field. Please contact us if you intend our products to be used in these special applications.

ISC makes no warranty or guarantee regarding the suitability of its products for any particular purpose, nor does ISC assume any liability arising from the application or use of any products, and specifically disclaims any and all liability, including without limitation special, consequential or incidental damages.