

For Auto MDI/MDIX Applications

- ◆ Compliant with IEEE802.3u and ANSI X3.263 standards including 350uH Min OCL with 8mA Bias
- ◆ Designed To Meet IEEE802.30 Requirements.
- ◆ Peak reflow temperature rating 260°C
- ◆ Remark: Contact PPT for further requirements.



Electrical specifications @25°C -operating temperature: 0°C to 70°C

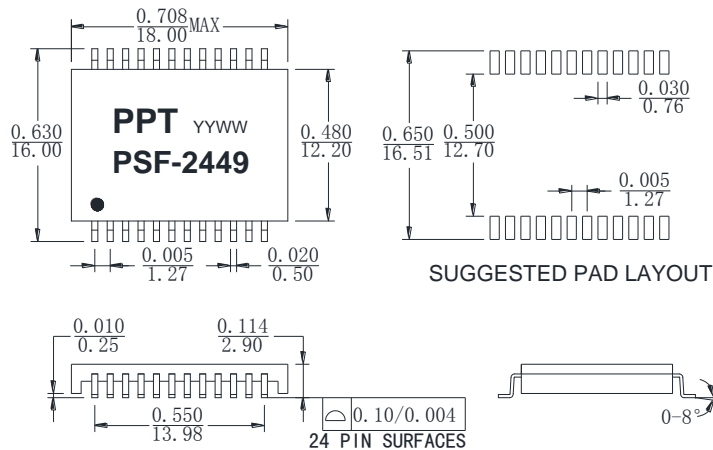
Part Number	Turns Ratio (±5%)	OCL (μH Min.)	L.L. (μH Max.)	Cw/w (PF Max.)	DCR (Ω Max.)	Hi-pot (Vrms)
PSF-2449	1CT:1CT	350	0.6	35	2.0	1500

Part Number	Insertion Loss (dB Typ.)	Return Loss (dB Typ.)				Crosstalk (dB Min.)		DCMR (dB Min.)	
		1-100MHz	1-40MHz	50MHz	60-80MHz	100MHz	1-60MHz	60-100MHz	1-30MHz
PSF-2449	-1.1	-18	-16	-12	-10	-40	-35	-43	-33

Note: 1. Test condition Line Side Inductance @100KHz, 100mV with 8mA DC Bias

Mechanicals

PSF-2449



Dimension: $\frac{\text{Inches}}{\text{mm}}$

Unless otherwise specified, all tolerances are: $\pm \frac{0.01}{0.25}$

Schematics

PSF-2449

