



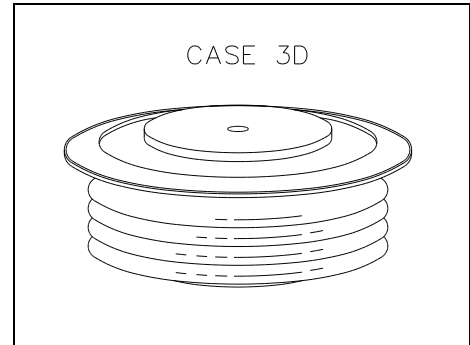
POSITIONING PSTA640 - Standard Rectifier

1500 - 2000 V_{RRM} ; 1500 A avg

GENERAL PURPOSE HIGH POWER STANDARD RECTIFIER

Features:

- . All Diffused Structure
- . High Surge rating
- . Blocking capability up to 3000 volts
- . Soft Reverse Recovery
- . Rugged Ceramic Hermetic Package
- . Pressure Assembled Device



ELECTRICAL CHARACTERISTICS AND RATINGS

Reverse Blocking

Device Type	V_{RRM} (1)	V_{RSM} (1)
PSTA640P	1000	1100
PSTA640PB	1200	1300
PSTA640PD	1400	1500
PSTA640PE	1500	1600
PSTA640PM	1600	1700
PSTA640PN	1800	1900
PSTA640L	2000	2100

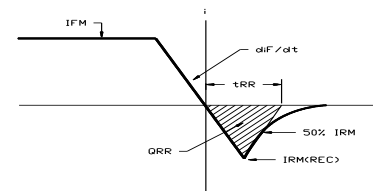
V_{RRM} = Repetitive peak reverse voltage
 V_{RSM} = Non repetitive peak reverse voltage (2)

Repetitive peak reverse leakage	I_{RRM}	20 mA 50 mA (3)
---------------------------------	-----------	--------------------

Notes:

All ratings are specified for $T_j=25^\circ\text{C}$ unless otherwise stated.

- (1) All voltage ratings are specified for an applied 50Hz/60Hz sinusoidal waveform over the temperature range -40 to $+185^\circ\text{C}$.
- (2) 10 msec. max. pulse width
- (3) Maximum value for $T_j = 185^\circ\text{C}$.
- (4) See parameter definition below :



REVERSE RECOVERY CHARACTERISTIC

Conducting - on state

Parameter	Symbol	Min.	Max.	Typ.	Units	Conditions
Average value of on-state current	$I_{F(AV)}$		1000		A	Sinewave, 180° conduction, $T_c = 90^\circ\text{C}$
RMS value of on-state current	I_{FRMS}		1600		A	Nominal value
Peak one cycle surge (non repetitive) current	I_{FSM}		12000 11000		A A	8.3 msec (60Hz), sinusoidal wave-shape, 180° conduction, $T_j = 185^\circ\text{C}$ 10.0 msec (50Hz), sinusoidal wave-shape, 180° conduction, $T_j = 185^\circ\text{C}$
I square t	I^2t		600000		A^2s	8.3 msec and 10.0 msec
Peak on-state voltage	V_{FM}		1.75		V	$I_{FM} = 3200\text{ A}$; Duty cycle $\leq 0.01\%$
Reverse Recovery Current (4)	$I_{RM(REC)}$		*		A	$I_{FM} = 1000\text{ A}$; $dI_F/dt = 10\text{ A}/\mu\text{s}$
Reverse Recovery Charge (4)	Q_{rr}		*		μC	
Reverse Recovery Time (4)	t_{RR}		*		μs	

THERMAL AND MECHANICAL CHARACTERISTICS Rectifier

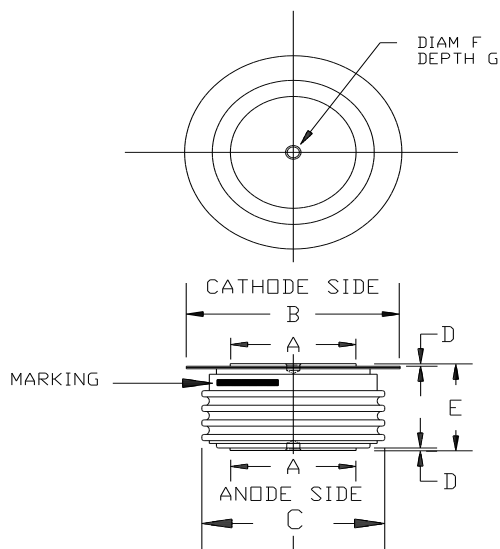
PSTA640 - Standard

Parameter	Symb ol	Min.	Max.	Typ.	Units	Conditions
Operating temperature	T_j	-40	+185		°C	
Storage temperature	T_{stg}	-40	+185		°C	
Thermal resistance - junction to case	$R_{\theta(j-c)}$		0.040 0.080		°C/W	Double sided cooled Single sided cooled
Thermal resistance - case to sink	$R_{\theta(c-s)}$.015 .030		°C/W	Double sided cooled * Single sided cooled *
Mounting force	P	3500 15.5	4500 19.9		lb. kN	
Weight	W			9 225	oz. g	

* Mounting surfaces smooth, flat and

greased

CASE OUTLINE AND DIMENSIONS.



OUTLINE DIMENSIONS - CASE 3D				
DIMENSIONS	Min. mm	Max. mm	Min. In.	Max. In.
DIAM A	33.02	34.29	1.30	1.35
DIAM B	55.88	63.50	2.20	2.50
DIAM C	--	54.61	--	2.15
D	0.76	--	0.03	--
E	25.40	27.18	1.00	1.07
F	3.30	3.81	0.13	0.15
G	1.78	2.03	0.07	0.08

STRIKE DISTANCE = .73 INCH / 18.5 MM MIN.
CREEPAGE DISTANCE = 1.17 INCH / 29.7 MM MIN.