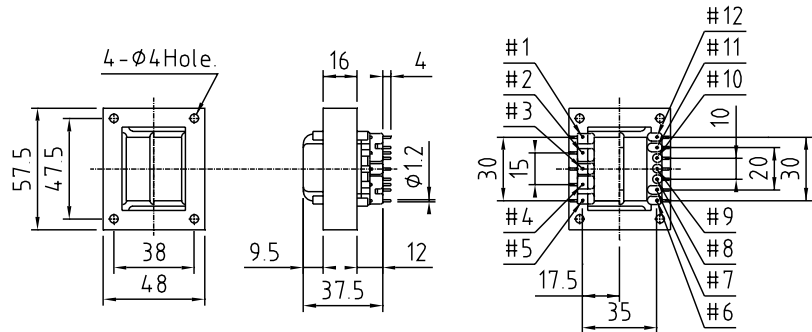


R Type Series PT-57E16-R



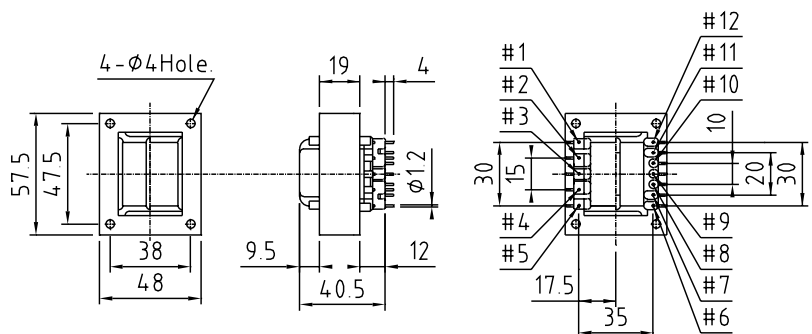
- (1) 12VA
- (2) UL, CSA
Electrical appliances and materials safety law
- (3) 1.5kV
- (4) Hard pin adopted.



R Type Series PT-57E19-R



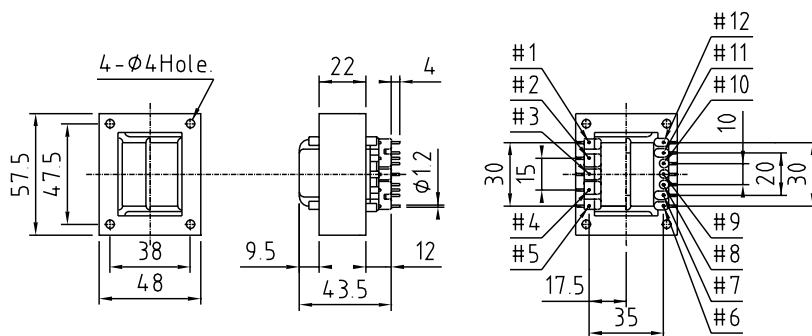
- (1) 14VA
- (2) UL, CSA
Electrical appliances and materials safety law
- (3) 1.5kV
- (4) Hard pin adopted.



R Type Series PT-57E22-R



- (1) 16VA
- (2) UL, CSA
Electrical appliances and materials safety law
- (3) 1.5kV
- (4) Hard pin adopted.



Unit: mm

- (1) Standard output power
- (2) Compatible safety standards
- (3) Withstanding voltage
- (4) Others