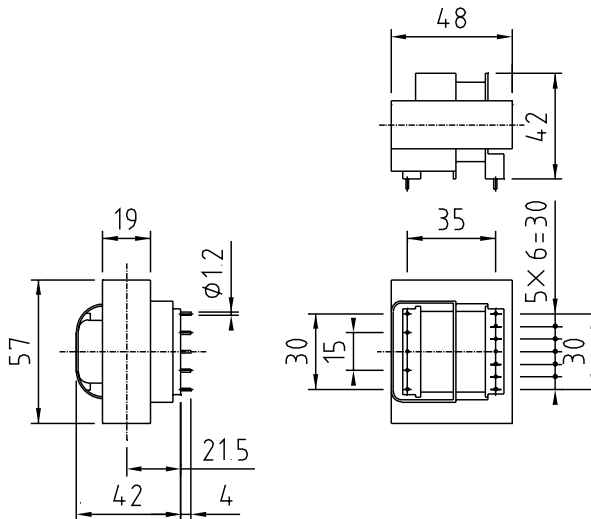


R Type Series PT-57E19-R1



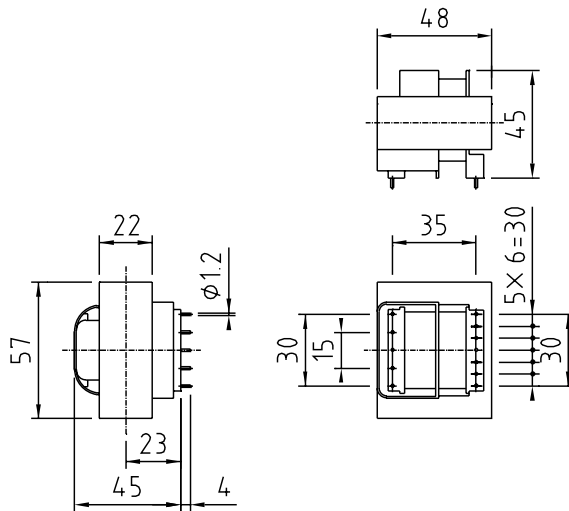
- (1) 13VA
- (2) BS-415, IEC-65
- (3) 4kV
- (4) Hard pin adopted.



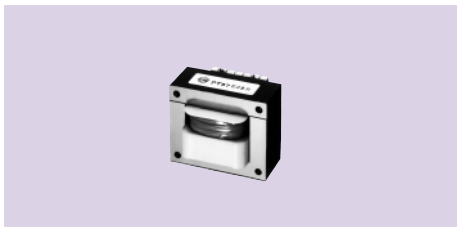
R Type Series PT-57E22-R1



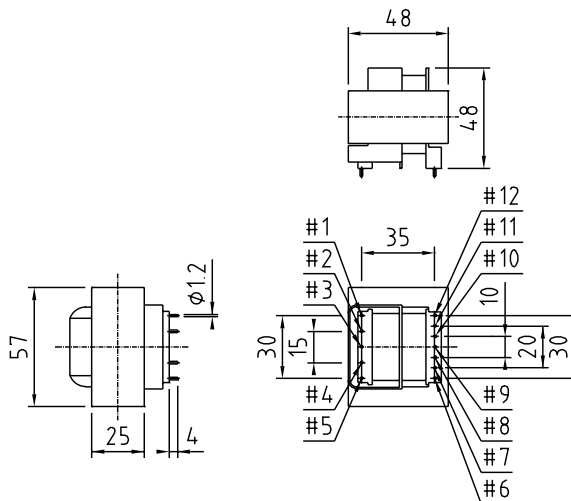
- (1) 15VA
- (2) BS-415, IEC-65
- (3) 1.5kV, 4kV
- (4) Hard pin adopted.



R Type Series PT-57E25-R1



- (1) 18VA
- (2) BS-415, IEC-65
- (3) 1.5kV, 4kV
- (4) Hard pin adopted.



Unit: mm

- (1) Standard output power
- (2) Compatible safety standards
- (3) Withstanding voltage
- (4) Others