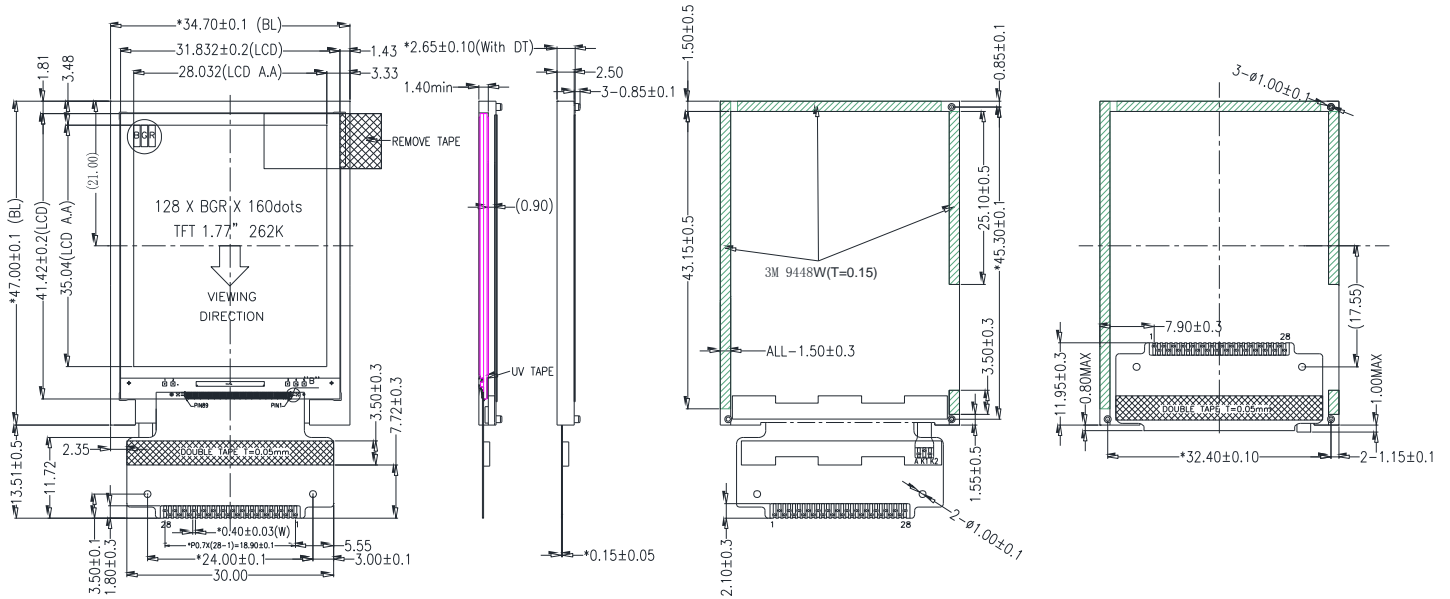


# PT0181216-A702 (128 \* RGB \* 160 DOTS)



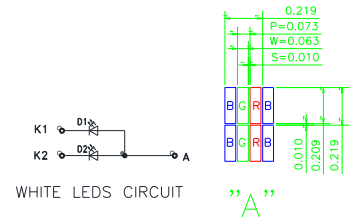
龐誼科技股份有限公司  
Palm Technology Co., Ltd.

## EXTERNAL DIMENSION



**NOTES:**

- 1.DISPLAY TYPE: 262K COLOR TFT-LCD, TRANSMISSIVE,Normal White
- 2.OPERATING TEMP: -20°C~70°C
- 3.STORAGE TEMP: -30°C~80°C
- 4.LCD DRIVER: COG IC: ST7735
- 5.Backlight: 2Chip-White LED Parallel,@20MA/LED
- 6.GENERAL TOLERANCE: ±0.2
- 7."\*" KEY DIMENSION ' ALL MATERIALS MUST BE BHS-001 COMPLIANT



## PIN CONNECTIONS

PIN NO	1	2	3	4	5	6	7	8	9	10
SYMBOL	GND	VDD	/CS	/RST	RS	/WR	/RD	D0	D1	D2
PIN NO	11	12	13	14	15	16	17	18	19	20
SYMBOL	D3	D4	D5	D6	D7	D8	D9	D10	D11	D12
PIN NO	21	22	23	24	25	26	27	28		
SYMBOL	D13	D14	D15	LEDA	LEDK1	IM0	LEDK2	NC		