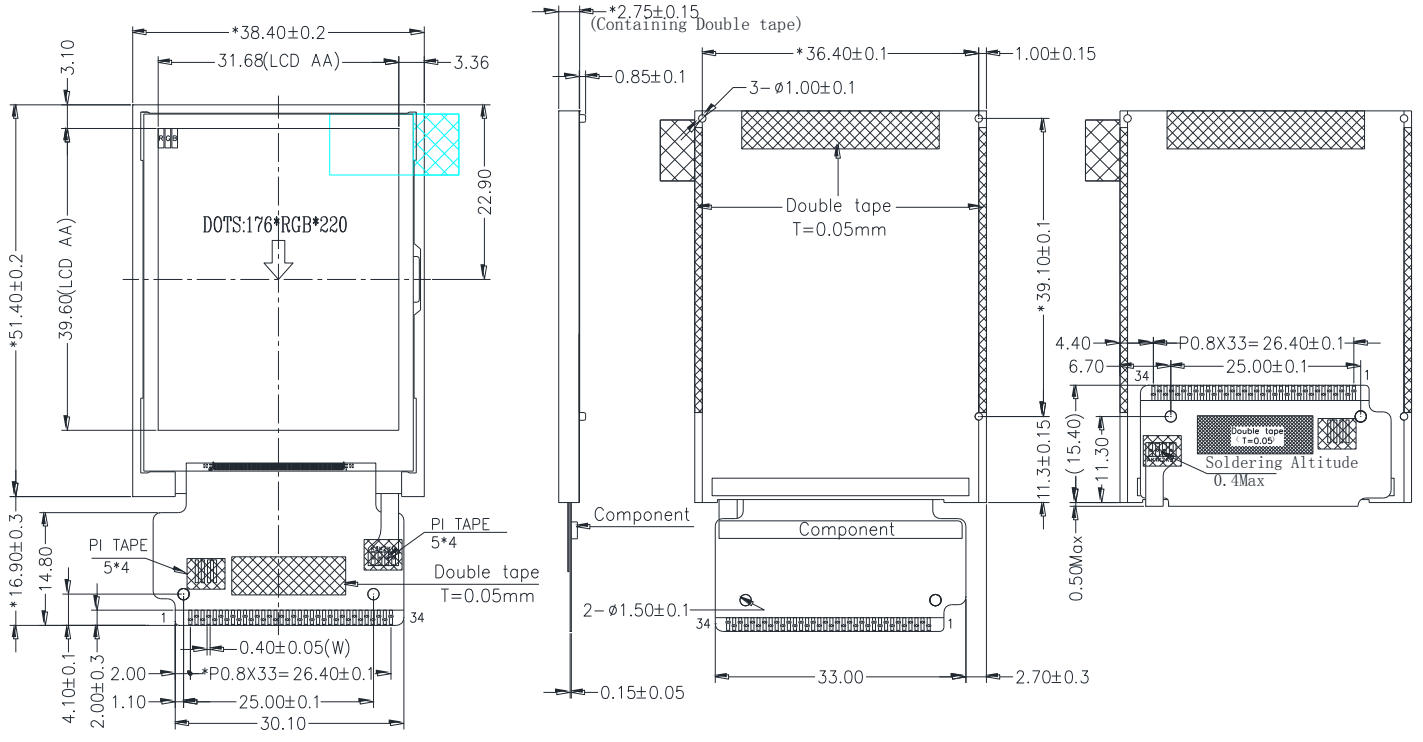
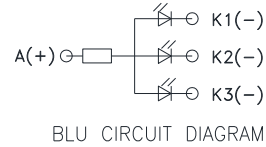


EXTERNAL DIMENSION



NOTES:

1. DISPLAY TYPE: 2.0" TFT
2. BACKLIGHT: 3-Chip WHITE LEDs parallel
3. FRONT POLARIZER: TRANSMISSIVE/POSITIVE
4. REAR POLARIZER: TRANSMISSIVE/POSITIVE
5. OPERATING TEMP: -20°C ~ 70°C
6. STORAGE TEMP: -30°C ~ 80°C
7. DRIVER IC: COG(IC: HX8340-B)
8. UNMARKED TOLERANCES: ±0.2
9. "*" KEY DIMENSION, ALL MATERIALS MUST BE BHS-001 COMPLIANT



PIN CONNECTIONS

PIN NO	1	2	3	4	5	6	7	8	9	10
SYMBOL	GND	VDD	/CS	RS	/WR	RD	D0	D1	D2	D3
PIN NO	11	12	13	14	15	16	17	18	19	20
SYMBOL	D4	D5	D6	D7	D8	D9	D10	D11	D12	D13
PIN NO	21	22	23	24	25	26	27	28	29	30
SYMBOL	D14	D15	RST	IOVCC	GND	LED3-	LED2-	LED1-	LED+	IM0
PIN NO	31	32	33	34						
SYMBOL	X-	X+	Y-	Y+						