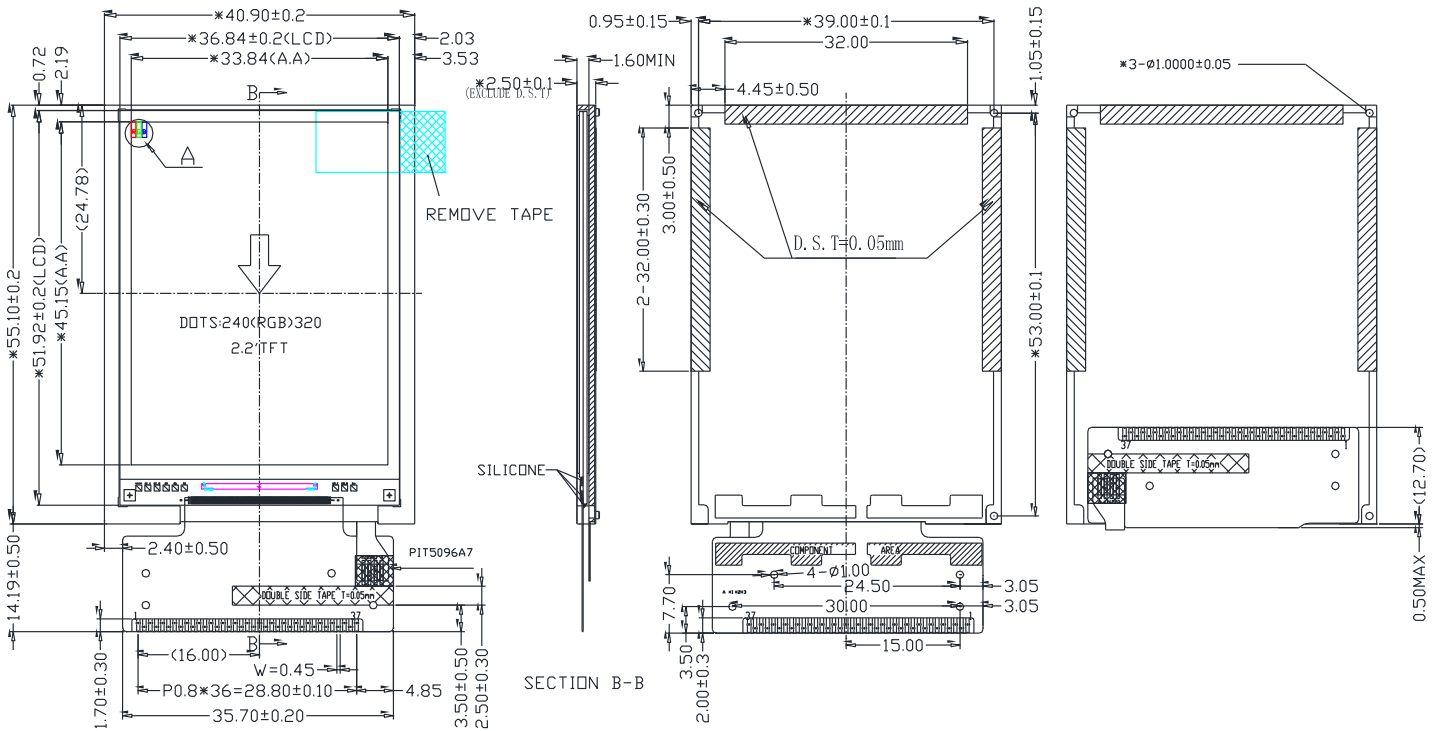
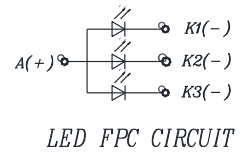
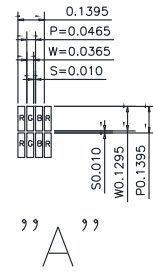


**EXTERNAL DIMENSION**



NOTES:

1. DISPLAY TYPE:262K TFT TRANSMISSIVE/POSITIVE
2. OPERATING TEMP: -20°C~70°C
3. STORAGE TEMP: -30°C~80°C
4. DRIVER IC: S6D04H0
5. BACKLIGHT: 3 Chips WHITE LEDs Parallel
6. LCM LUMINANC 180cd/m<sup>2</sup>
7. GENERAL TOLERANCE: ±0.2
8. MARK \* MEANS IMPORTANT DIMENSION
9. MARK Δ MEANS MODIFICATION RECORD



**PIN CONNECTIONS**

PIN NO	1	2	3	4	5	6	7	8	9	10
SYMBOL	NC	NC	NC	NC	VSS	NC	LED+	NC	VDD2	NC
PIN NO	11	12	13	14	15	16	17	18	19	20
SYMBOL	IM0	CS1B	DB07	DB06	DB05	DB04	DB03	DB02	DB01	DB00
PIN NO	21	22	23	24	25	26	27	28	29	30
SYMBOL	DB15	DB14	DB13	DB12	DB11	DB10	DB09	DB08	RDB	WRB
PIN NO	31	32	33	34	35	36	37			
SYMBOL	RS	RSTB	VDD	LED-K1	LED-K2	LED-K3	VSS			