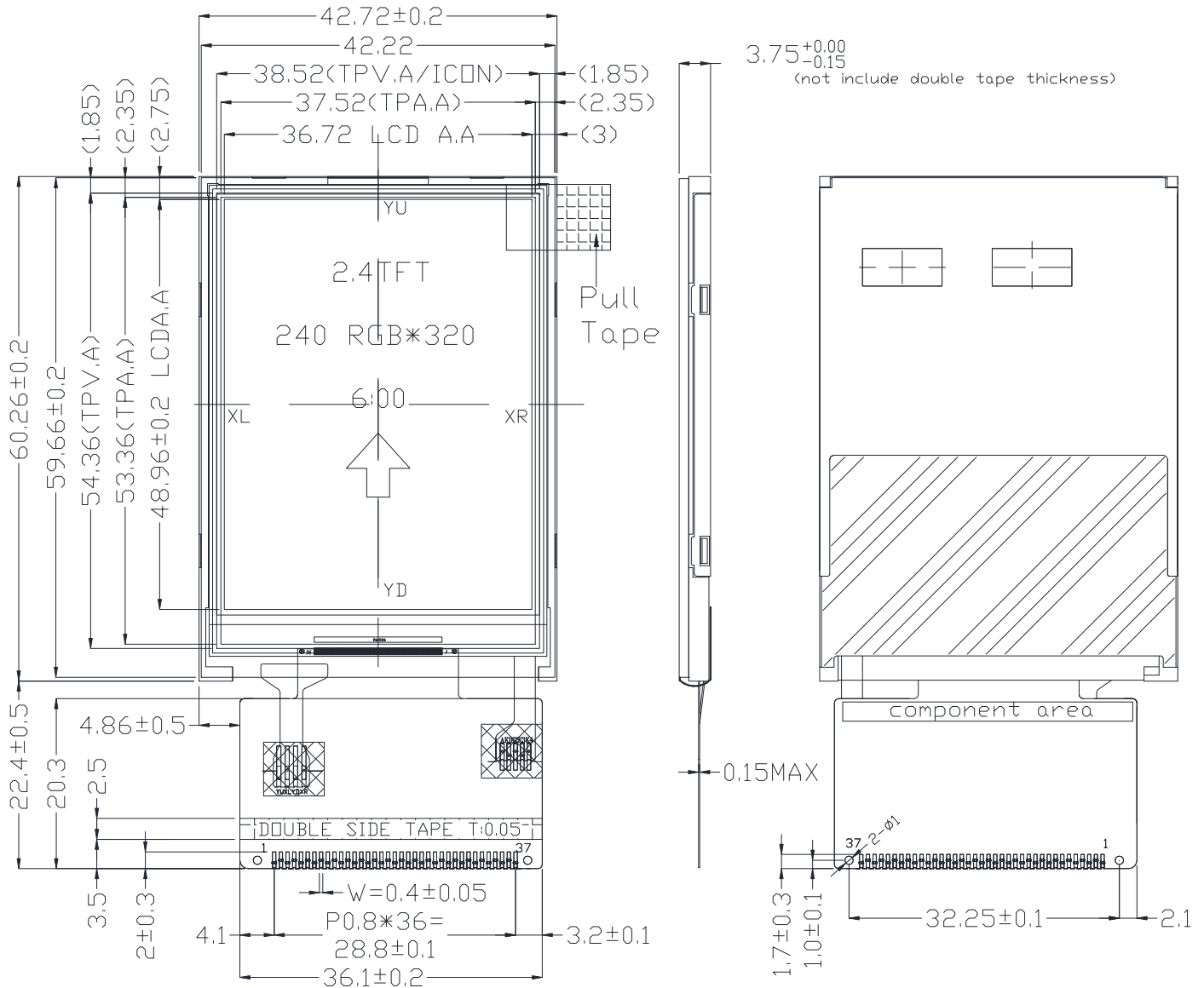


PT0242432T-B707
(240*RGB*320 DOTS)



魔誼科技股份有限公司
 Palm Technology Co., Ltd.

EXTERNAL DIMENSION



PIN CONNECTIONS

PIN NO	1	2	3	4	5	6	7	8	9	10
SYMBOL	NC	VDD	VDD	CS	RS	WR	RD	REST	DB0	DB1
PIN NO	11	12	13	14	15	16	17	18	19	20
SYMBOL	DB2	DB3	DB4	DB5	DB6	DB7	DB8	DB9	DB10	DB11
PIN NO	21	22	23	24	25	26	27	28	29	30
SYMBOL	DB12	DB13	DB14	DB15	NC	YD	XR	YU	XL	LEDA
PIN NO	31	32	33	34	35	36	37			
SYMBOL	LEDK1	LEDK2	LEDK3	LEDK4	GND	GND	NC			