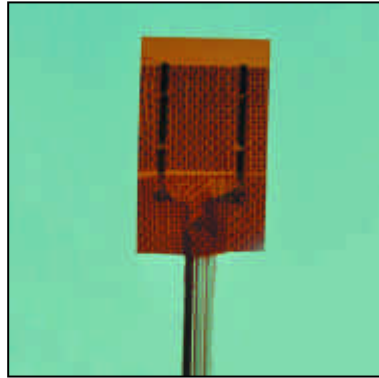


## PT100 Platinum Resistance Temperature Detector 22810 "Stikon™"

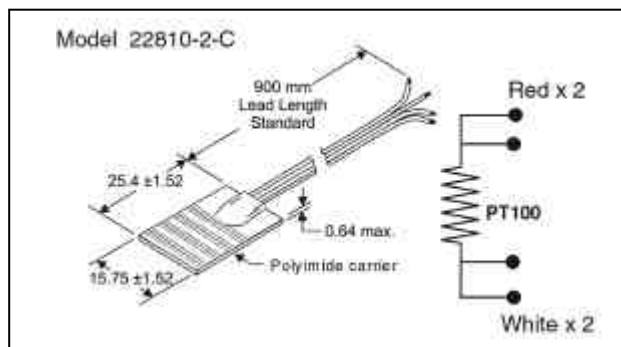
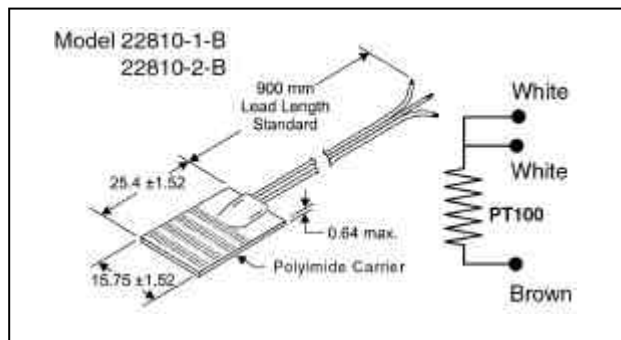


Model 22810 is a polyimide insulated surface sensor designed to provide a practical method for measuring surface temperature. These sensors are small, flexible and their low mass has minimal thermal effect on the material being measured.

They are ideally suited for applications where the device can be permanently mounted using adhesives or other mechanical

mounting methods.

- 3 and 4 terminal versions
- 3850 ppm/°C



### Specifications:

Resistance	100Ω at 0°C
Accuracy	-1 Model ± 0.5Ω -2 Model ± 0.22Ω
Stability	< 0.2°C drift/year
Temperature range	-200°C to +232°C
Response time	<200 milliseconds (lag on metal surfaces)
Self Heating	15mW/°C (on metal surface)

Rhopoint Components Ltd

Tel: +44 (0) 870 608 1188 Fax: +44 (0) 870 241 2255

Germany: +49 (0) 692 199 8606 Fax: +49 (0) 692 199 8595

Email: sales@rhpointcomponents.com

Website: www.rhpointcomponents.com