



PT111/PT124/PT131 Series Melt Pressure Transducer



Features

Accuracy better than $\pm 1.0\%$
Stainless steel sealed
80% shunt calibration
Good stability and repeatability

ISO9001:2008



Description and Application

This Series transducer is a $\pm 1.0\%$ sensor ideal for general melt pressure measurements requiring simple installation, repeatability and reliability. The transmitters provide the industry standard 2mV/V signal designed to work with wide of indicators. It comes equipped with a 5PIN connector, connecting with indicator by mating connector and cable. Optional thermocouple or RTD configurations are available to provide melt temperature. It adopts industrial standard M14*1.5 thread for simple and easy installation in standard transducer mounting holes.

PERFORMANCE CHARACTERISTICS

Output: 2 mV/V

Power Supply: 10 Vdc recommended,

Accuracy: $\pm 1.0\%$ FSO,

Configuration: Four-arm bonded foil Wheatstone bridge strain gage

Overload Pressure: 1.5 X FSO

Internal Shunt Calibration (R-Cal): 80% FSO

TEMPERATURE & MECHANICAL CHARACTERISTICS

Max Diaphragm Temperature: 300°C

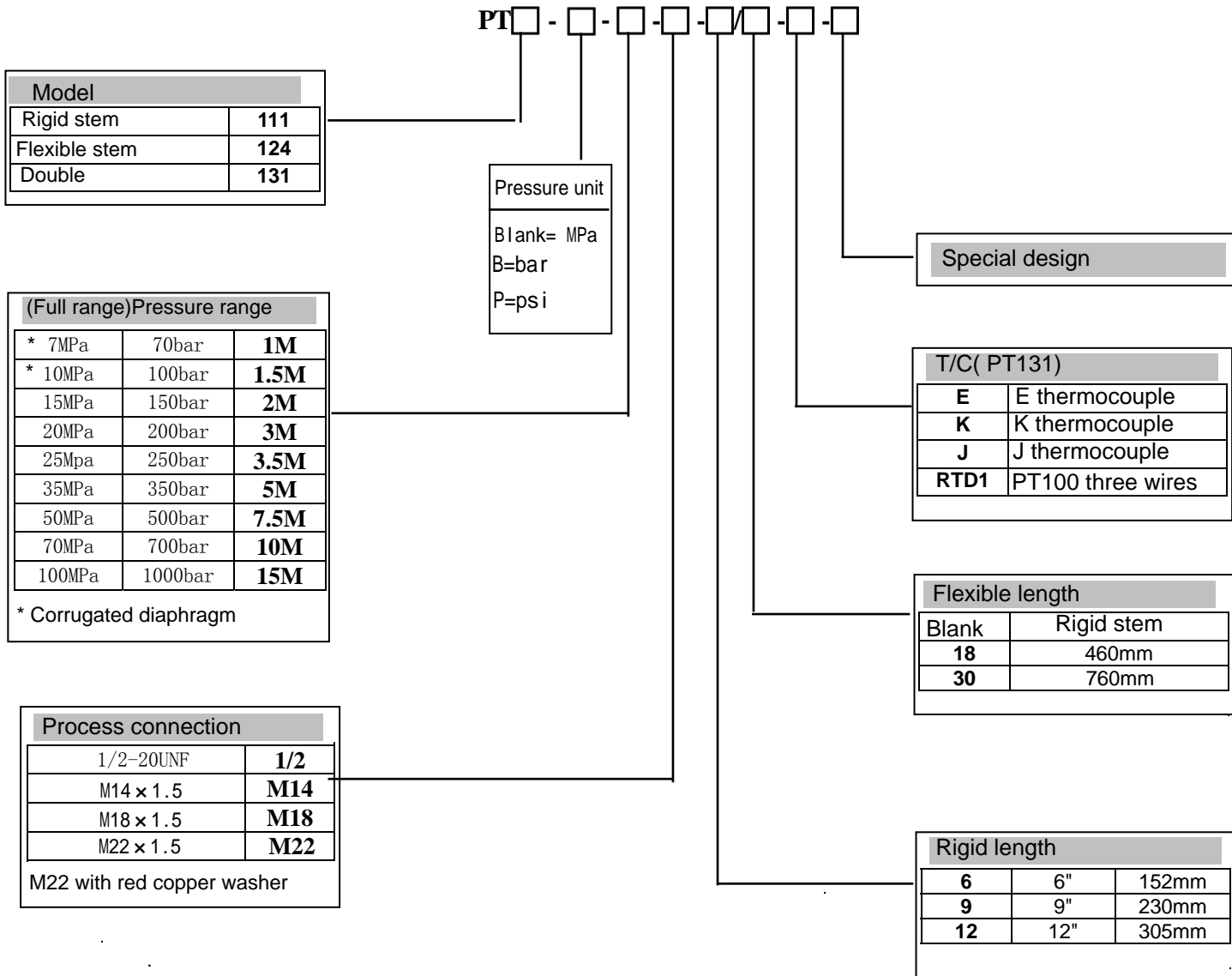
Mounting Torque: 500 inch/lbs. maximum

Standard Wetted Parts: 17-4 PH SST

Temperature Type: E,K,J,PT100



Ordering Guide:

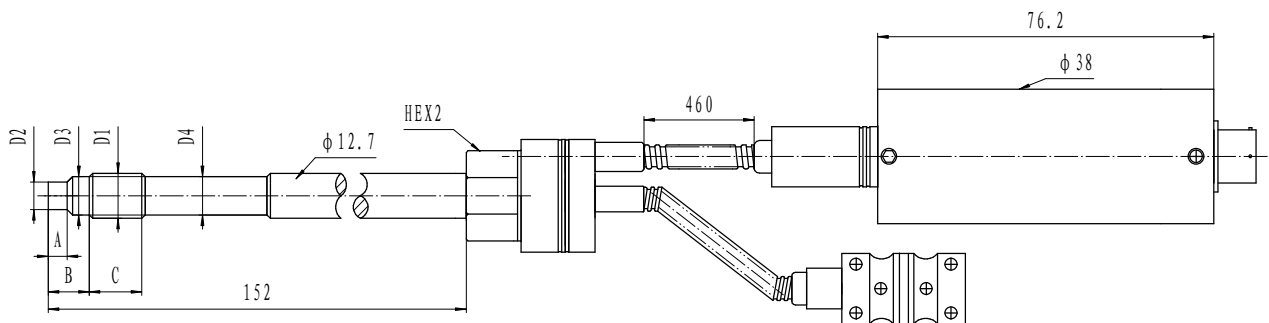
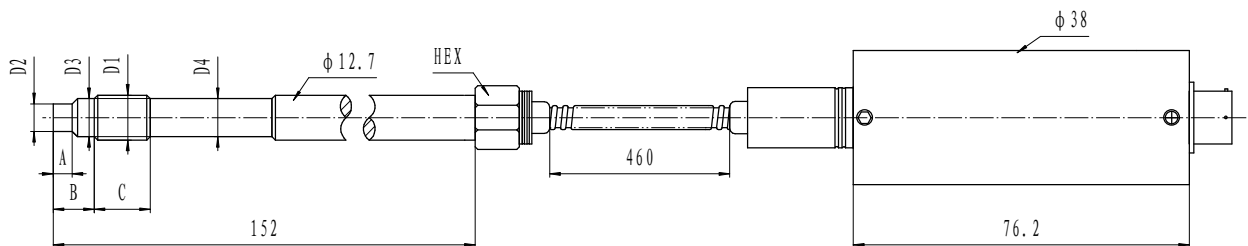
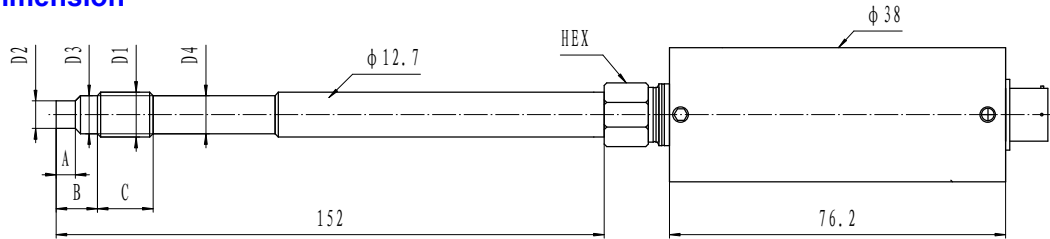


Accessories:

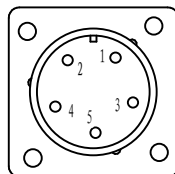
1. Pressure cable: 5PIN
2. Temperature cable: E, J, K, PT100
3. Mounting bracket
4. 5PIN Connector (without cable)



Dimension



2mV/V	
1	Output Signal +
2	Power Supply +
3	Output Signal -
4	Power Supply -
5	Calibration



D1	D2	D3	D4	A	B	C	HEX	HEX2
1/2-20UNF	$\phi 7.8^{+0.02}_{-0.06}$	$\phi 10.5$	$\phi 10.8$	5.44	11.5	16	16	22
M14 × 1.5	$\phi 7.8^{+0.02}_{-0.06}$	$\phi 11.5$	$\phi 11.8$	5.44	11.5	16	16	22

All dimensions are in mm.

HAOYING

Add: No.125,Tianwei Rd.,Minhang Dist,Shanghai 201108 CN

Tele:0086-21-55338008

Fax:0086-21-34074025

http://english.haoyingsensor.com