



PT112/PT123/PT133 Standard Series Melt Pressure Transducer



Features

- Accuracy better than $\pm 0.5\%$
- Stainless steel sealed
- 80% shunt calibration
- Good stability and repeatability

ISO9001:2008



Description and Application

This Series transducer is a $\pm 0.5\%$ sensor ideal for general melt pressure measurements requiring simple installation, repeatability and reliability. The transmitters provide the industry standard 3.33mV/V signal designed to work with wide of indicators. It comes equipped with a 6PIN bendix connector, connecting with indicator by mating connector and cable. Optional thermocouple or RTD configurations are available to provide melt temperature. It adopts industrial standard 1/2-20 UNF thread for simple and easy installation in standard transducer mounting holes.

PERFORMANCE CHARACTERISTICS

Output: 3.33 mV/V $\pm 2.0\%$

Power Supply: 10 Vdc recommended,

Accuracy: $\pm 0.5\%$ FSO,

Configuration: Four-arm bonded foil Wheatstone bridge strain gage

Overload Pressure: 1.5 X FSO

Internal Shunt Calibration (R-Cal): 80% FSO

TEMPERATURE & MECHANICAL CHARACTERISTICS

Max Diaphragm Temperature: P T112 -300°C

PT123, PT133-400°C

Mounting Torque: 500 inch/lbs. maximum

Standard Wetted Parts: DyMax™ coated 17-4 PH SST

Temperature Type: E, K, J, PT100

Process connection: 1/2-20UNF

HAOYING

Add: No.125,Tianwei Rd.,Minhang Dist,Shanghai 201108 CN

Tele:0086-21-55338008

Fax:0086-21-34074025

<http://english.haoyingsensor.com>



Ordering Guide:

Model	
Rigid stem	112
Flexible stem	123
Double	133

(Full range) Pressure range		
* 10MPa	1500psi	1.5M
20MPa	3000psi	3M
35MPa	5000psi	5M
50MPa	7500psi	7.5M
70MPa	10000psi	10M
100MPa	15000psi	15M
140MPa	20000psi	20M
200MPa	30000psi	30M
250MPa	35000psi	35M

* Corrugated diaphragm

Process connection	
1/2-20UNF	1/2
M14 x 1.5	M14
M18 x 1.5	M18
M22 x 1.5	M22

M22 with red copper washer

PT - - - - -

Pressure unit
Blank = MPa
B=bar
P=psi

Special design

T/C (PT133)	
E	E thermocouple
K	K thermocouple
J	J thermocouple
RTD1	PT100 three wires

Flexible length	
Blank	Rigid stem
18	460mm
30	760mm

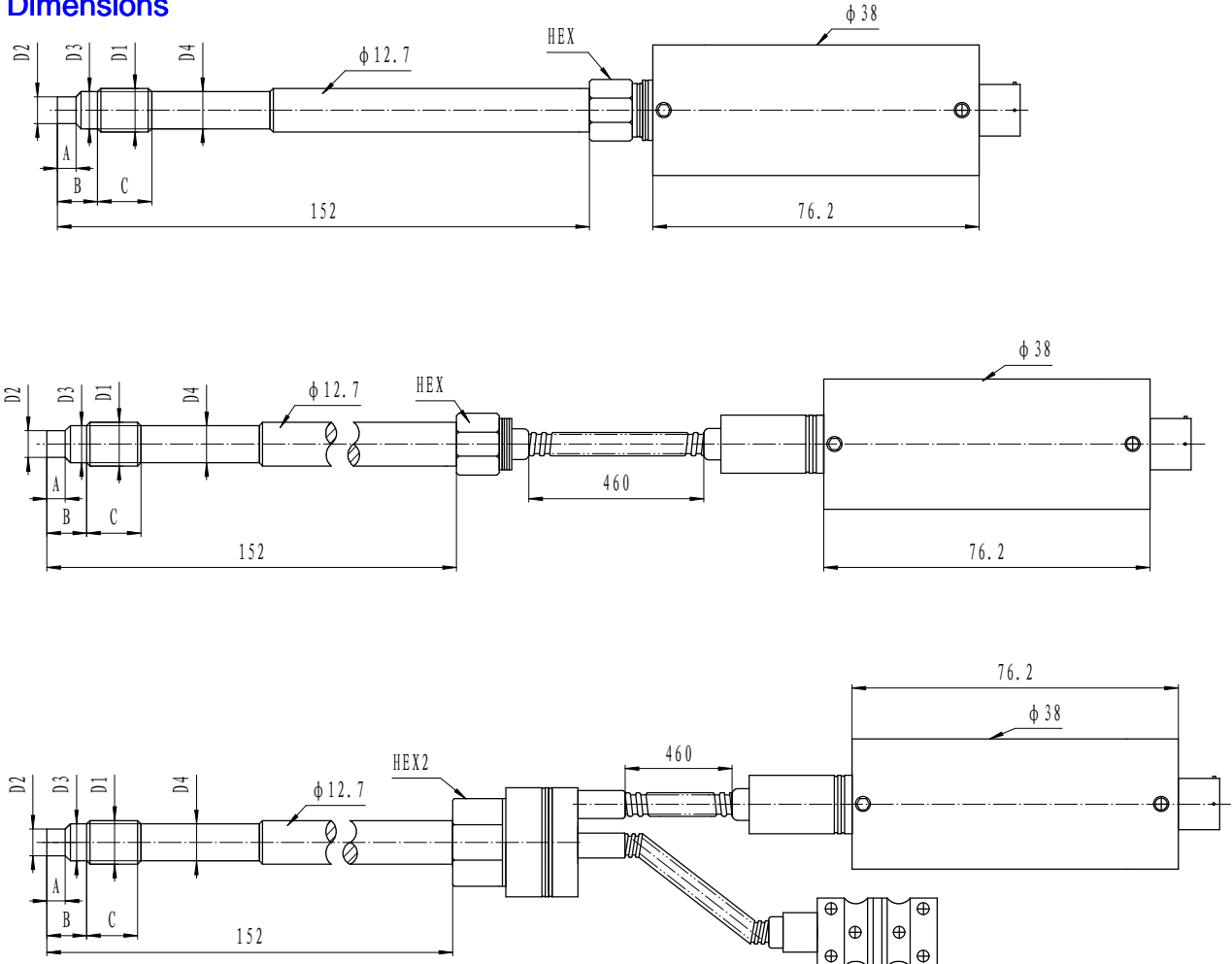
Rigid length		
6	6"	152mm
9	9"	230mm
12	12"	305mm
15	15"	381mm

Accessories:

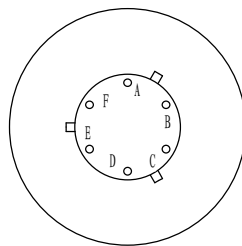
1. Pressure cable: 6PIN
2. Temperature cable: E,J,K,PT100
3. Mounting bracket
4. 6PIN Connector(without cable)



Dimensions



3.33mV/V	
A	Output Signal +
B	Output Signal -
C	Power Supply +
D	Power Supply -
E	Calibration
F	Calibration



D1	D2	D3	D4	A	B	C	HEX	HEX2
1/2-20UNF	$\phi 7.8_{-0.06}^{-0.02}$	$\phi 10.5$	$\phi 10.8$	5.44	11.5	16	16	22
M14 × 1.5	$\phi 7.8_{-0.06}^{-0.02}$	$\phi 11.5$	$\phi 11.8$	5.44	11.5	16	16	22

All dimensions are in mm.

HAOYING

Add: No.125,Tianwei Rd.,Minhang Dist,Shanghai 201108 CN

Tele:0086-21-55338008

Fax:0086-21-34074025

http://english.haoyingsensor.com