



PT112B/PT123B/PT133B Series Melt Pressure Transmitter



Features

Adjustable zero and span
Accuracy better than $\pm 0.5\%$
Stainless steel sealed
80% shunt calibration
Good stability and repeatability

ISO9001:2008



Description and Application

This Series transmitter is a $\pm 0.5\%$ sensor ideal for general melt pressure measurements requiring simple installation, repeatability and reliability. The transmitters provide the industry standard 4 - 20 mA amplified signal designed to work with DCS and PLCs. It comes equipped with adjustable zero and span pots. 6PIN electronic connector. Optional thermocouple or RTD configurations are available to provide melt temperature. It adopts 1/2-20 UNF thread for simple and easy installation in standard transducer mounting holes.

PERFORMANCE CHARACTERISTICS

Output: 4 - 20 mA, 0-5V, 0-10V

Power Supply: 10-30Vdc, 12-30Vdc (0-10V)

Accuracy: $\pm 0.5\%$ FSO,

Configuration: Four-arm bonded foil Wheatstone bridge strain gage

Load Resistance: (U-10) / 0.02 (4-20mA)
R > 20k (0-5V, 0-10V)

Overload Pressure: 1.5 X FSO

Internal Shunt Calibration (R-Cal): 80% FSO

TEMPERATURE & MECHANICAL CHARACTERISTICS

Max Diaphragm Temperature: PT112B -300 °C

PT123B PT133B -400 °C

Mounting Torque: 500 inch/lbs. maximum

Standard Wetted Parts: DyMax™ coated 17-4 PH SST

Temperature Type: E, K, J, PT100 available

Process connection: 1/2-20UNF etc.

HAOYING

Add: No.125, Tianwei Rd., Minhang Dist, Shanghai 201108 CN

Tele: 0086-21-55338008

Fax: 0086-21-34074025

http://english.haoyingsensor.com



Ordering guide:

PT □ B - □ - □ - □ - □ - □ - □ - □

Model	
Rigid stem	112
Flexible stem	123
Double	133

(Full range) Pressure range		
* 3.5MPa	500psi	5C
* 5MPa	750psi	7.5C
* 7MPa	1000psi	1M
* 10MPa	1500psi	1.5M
20MPa	3000psi	3M
35MPa	5000psi	5M
50MPa	7500psi	7.5M
70MPa	10000psi	10M
100MPa	15000psi	15M
250MPa	30000psi	35M

* Corrugated diaphragm

Process connection	
1/2-20UNF	1/2
M14 × 1.5	M14
M18 × 1.5	M18
M22 × 1.5	M22

M22 with red copper washer

Pressure unit
Blank = MPa
B=bar
P=psi

Special design

T/C(PT133B)	
E	E thermocouple
K	K thermocouple
J	J thermocouple
RTD1	PT100 three wires

Output	
mA	4-20mA
5V	0-5V
10V	0-10V

Flexible length	
Blank	Rigid stem
18	460mm
30	760mm

Rigid length		
6	6"	152mm
9	9"	230mm
12	12"	305mm
15	15"	381mm

Accessories:

1. Pressure cable: 6PIN
2. Temperature cable: E,J,K,PT100
3. Mounting bracket
4. 6PIN Connector(without cable)

HAOYING

Add: No.125,Tianwei Rd.,Minhang Dist,Shanghai 201108 CN

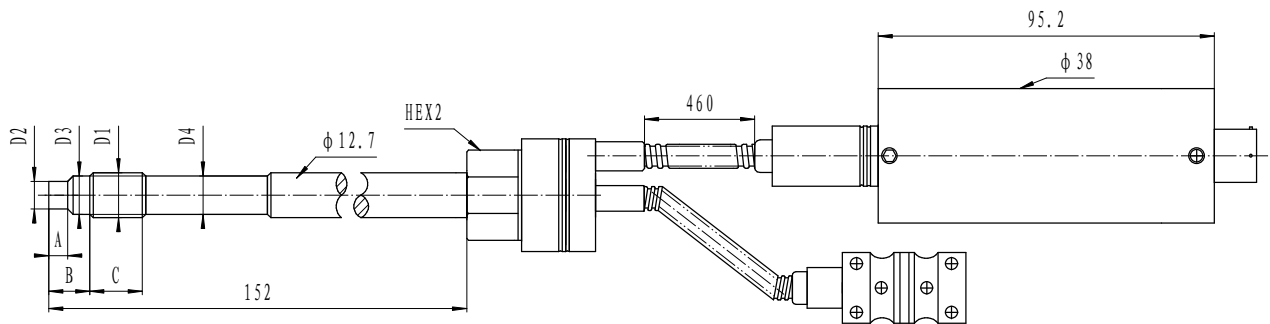
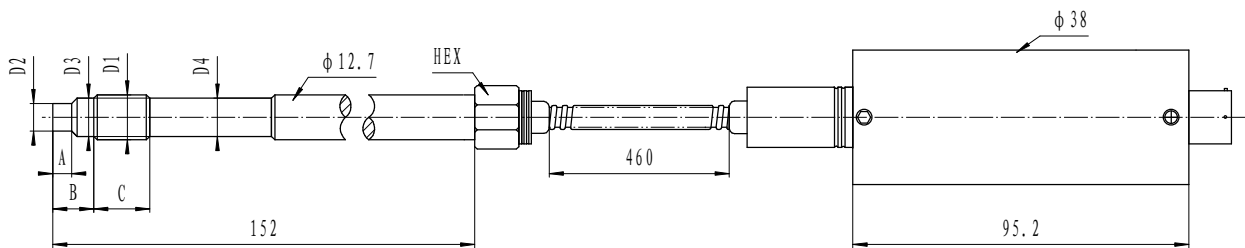
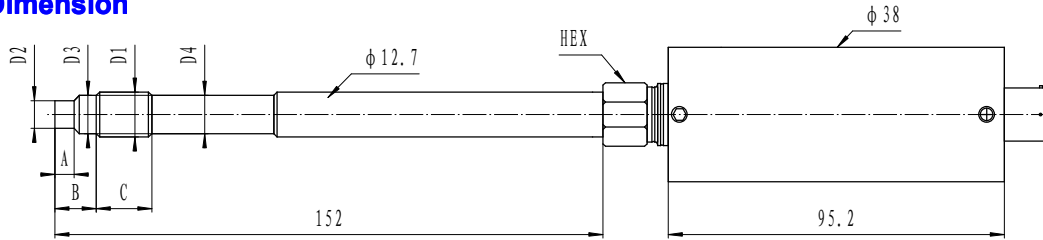
Tele:0086-21-55338008

Fax:0086-21-34074025

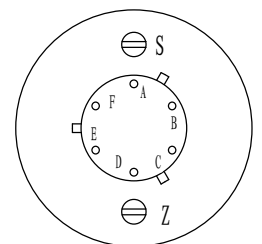
http://english.haoyingsensor.com



Dimension



	A	B	C	D	E	F
4-20mA	Power supply+	Power supply-			Calibration	Calibration
0-10V	Output signal+	Output signal-	Power supply+	Power supply-	Calibration	Calibration
0-5V	Output signal+	Output signal-	Power supply+	Power supply-	Calibration	Calibration



D1	D2	D3	D4	A	B	C	HEX	HEX2
1/2-20UNF	$\phi 7.8^{+0.02}_{-0.06}$	$\phi 10.5$	$\phi 10.8$	5.44	11.5	16	16	22
M14 × 1.5	$\phi 7.8^{+0.02}_{-0.06}$	$\phi 11.5$	$\phi 11.8$	5.44	11.5	16	16	22

All dimensions are in mm.

HAOYING

Add: No.125,Tianwei Rd.,Minhang Dist,Shanghai 201108 CN

Tele:0086-21-55338008

Fax:0086-21-34074025

http://english.haoyingsensor.com