

# Melt Pressure Transmitter

Model: PT124B-121/121T (Flexible stem)



## Description

PT124B-121/121T Series Melt Pressure Transmitter (Flexible stem) can measure the pressure and temperature in one point. The model PT124B-121T is with thermocouple. This series can be utilized together with the PY Series Intelligent Digital Pressure Instrument. Zero & full span can be adjustable, amplify signal output can be connected with PLC, with advantages of high precision and reliable pressure measuring and good quality and internal 80% calibration.

## Application

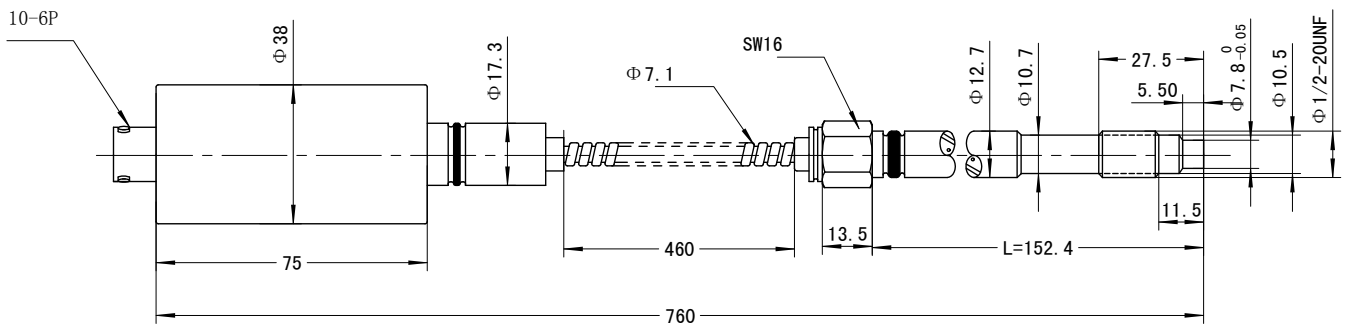
- ◆ Chemical fiber Equipment
- ◆ Plastic and Rubber manufacturing equipment
- ◆ Medicine & Food process equipment
- ◆ Measurement and Control all kinds of melt fluid

## Feature

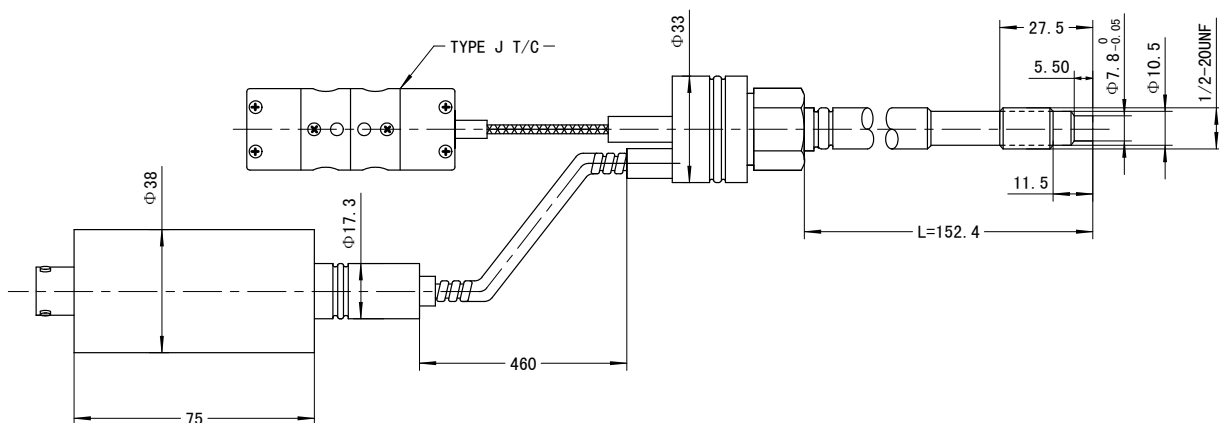
- ◆ Stainless steel welding
- ◆ Easy to install
- ◆ Zero and span adjustable
- ◆ Various amplified signals optional
- ◆ Internal 80% shunt calibration
- ◆ Good stability and anti-jamming capability
- ◆ Excellent stability and repeatability



## Dimension



## PT124B-121



## PT124B-121T

**Specification**

Range:	0...3.5Mpa to 0...150MPa
Output:	0~5V; 0~10V; 4-20mA
Accuracy:	±1%FS; ±1.5%FS
Excitation:	24VDC
Repeatability:	±0.2%
Construction:	Wheatstone bridge
Bridge resistance:	350 ohms±10%
Overload pressure:	1.5×FSO
Internal Calibration:	80%±1%
Insulation Resistance:	1000Megohms @50Vdc
Max Diaphragm Temp:	0~350°C
Thermocouple type:	J,K,E,PT100 Optional (PT124B-121T)
Electric connector:	5PIN, 6PIN
Process connector:	1/2"-20UNF, M14×1.5, M18×1.5 (Customer Design)

**Mounting Hole**

<p>Planar Sealed</p>	D1	M22×1.5	M28×1.5	G3/4"	PT3/8"
	D2	Φ16.1	Φ18.3	Φ18.3	Φ10.3
	D3	Φ20.1	Φ26.1	Φ24.2	Φ14.9
	M	Φ23	Φ30	Φ21	Φ11
	A	11	12	12	14
	B	12	15	15	19
	C	40	35	35	40
<p>45° Slope Sealed</p>	D1	M12×1.5	M14×1.5	1/2-20UNF	M18×1.5
	D2	Φ8	Φ8	Φ8	Φ10.1
	D3	Φ10.8	Φ12.5	Φ11.5	Φ16.1
	D4	Φ12.5	Φ14.5	Φ13.1	Φ20
	A	6	6	6	6.5
	B	9	9.5	9.5	10

**Ordering Guide**

Model	Range(bar)	Output	Screw Thread	Electric connection	Other requirement
PT124B-121/121T	---	---	---	---	---

Example: PT124B-121-500Bar-4/20mA-1/2-20UNF-6PIN

**Shanghai Zhaohui Pressure Apparatus Co., Ltd**

5-6F No.8 Building No.115 ,Lane 1276 Nanle Road Songjiang District Shanghai 201600 China  
 Tel:+86-21-51691919 67755189 Fax:+86-21-67755185  
 E-mail: info@zhyqsensor.com  
 www.zhyqsensor.com

