

Melt Pressure Transmitter

Model: PT124B-125 (Explosion proof)



Description

PT124B-125 Series Melt Pressure Transducer adopts intrinsic safety explosive proof and welded construction and has wide application in melt pressure measuring in the dangerous occasion of easy-to-combustion and easy-to-explosion. This model has the character of explosion proof, abrasion resistance, low thermal draft, high accuracy, excellent anti-jamming capability, etc. It is suitable for pressure measuring and controlling in melt liquid medium for Rubber and Plastic machinery, chemical fiber, steam, petro Chemical Machinery and so on.



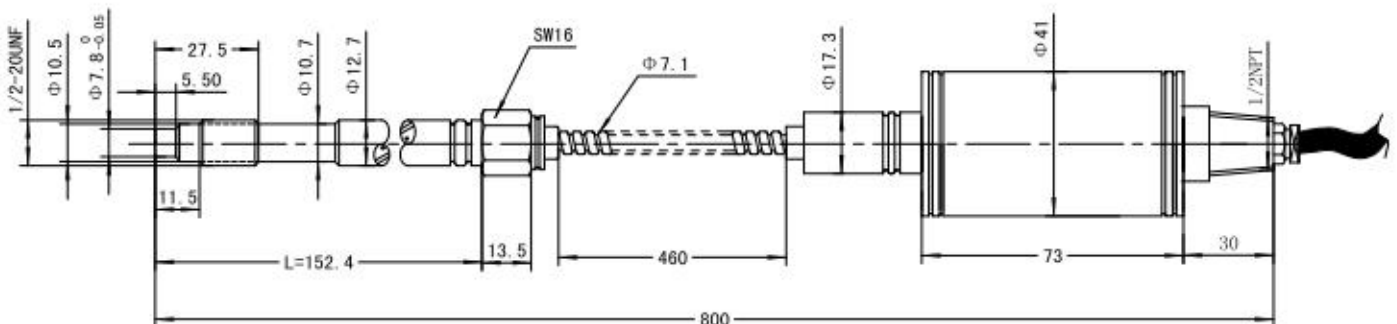
Application

- ◆ Chemical fiber equipment
- ◆ Plastic and rubber manufacturing equipment
- ◆ Vapor, petro chemical Industry
- ◆ Other pressure measure and control

Feature

- ◆ High-standard quality
- ◆ Stainless steel Seal
- ◆ Simple Installation
- ◆ 80% inner calibration
- ◆ Excellent stability and repetition

Dimension



Wiring code

Output	4/20mA (2 wires)	2mV/V, 3.33mV/V, 0-10V		
Wiring	E+	Red	E+	Red
	S+	Blue	S +	Blue
	CAL	Yellow	S -	White
	CAL	Black	E -	Yellow
	/	/	CAL	Black

Specification

Range:	0...3.5Mpa to 0...150MPa
Output:	0~5V; 0~10V; 4-20mA
Accuracy:	±0.5%FS; ±1%FS
Input voltage:	5VDC
Repeatability:	±0.2%
Construction:	Wheatstone bridge
Bridge resistance:	350 ohms±10%
Overload Pressure:	1.5×FSO
Internal calibration:	80%±1%
Insulation Resistance:	1000Megohms @50Vdc
Max Diaphragm Temp:	0~450°C
Electric connector:	1/2NPT conduit wih leads
Process connector:	1/2"-20UNF, M14×1.5, M18×1.5 (customer design)

Mounting Hole

<p>Planar Sealed</p>		D1	M22×1.5	M28×1.5	G3/4"	PT3/8"
		D2	Φ16.1	Φ18.3	Φ18.3	Φ10.3
		D3	Φ20.1	Φ26.1	Φ24.2	Φ14.9
		M	Φ23	Φ30	Φ21	Φ11
		A	11	12	12	14
		B	12	15	15	19
		C	40	35	35	40
<p>45° Slope Sealed</p>		D1	M12×1.5	M14×1.5	1/2-20UNF F	M18×1.5
		D2	Φ8	Φ8	Φ8	Φ10.1
		D3	Φ10.8	Φ12.5	Φ11.5	Φ16.1
		D4	Φ12.5	Φ14.5	Φ13.1	Φ20
		A	6	6	6	6.5
		B	9	9.5	9.5	10

Ordering Guide

Model	Range(bar)	Output	Screw Thread	Electric connection	Other requirement
PT124B-125	---	---	---	---	---

Example: PT124B-125-500Bar-4/20mA-1/2-20UNF