

Melt Pressure Transducer

Model: PT124B-126 (Flange)



Description

PT124B-126 Series Melt Pressure Transducer (Flange type) adopts special construction design and excellent alloy elastic membrane to reduce the thermal draft and improve measurement accuracy. The zero & full span can be calibrated, with amplify signal be connected with PLC and 80% calibration inside. It has wide application of pressure measurement & control for melt-temp liquid for chemical and fiber equipment, polyester equipment, etc.

Application

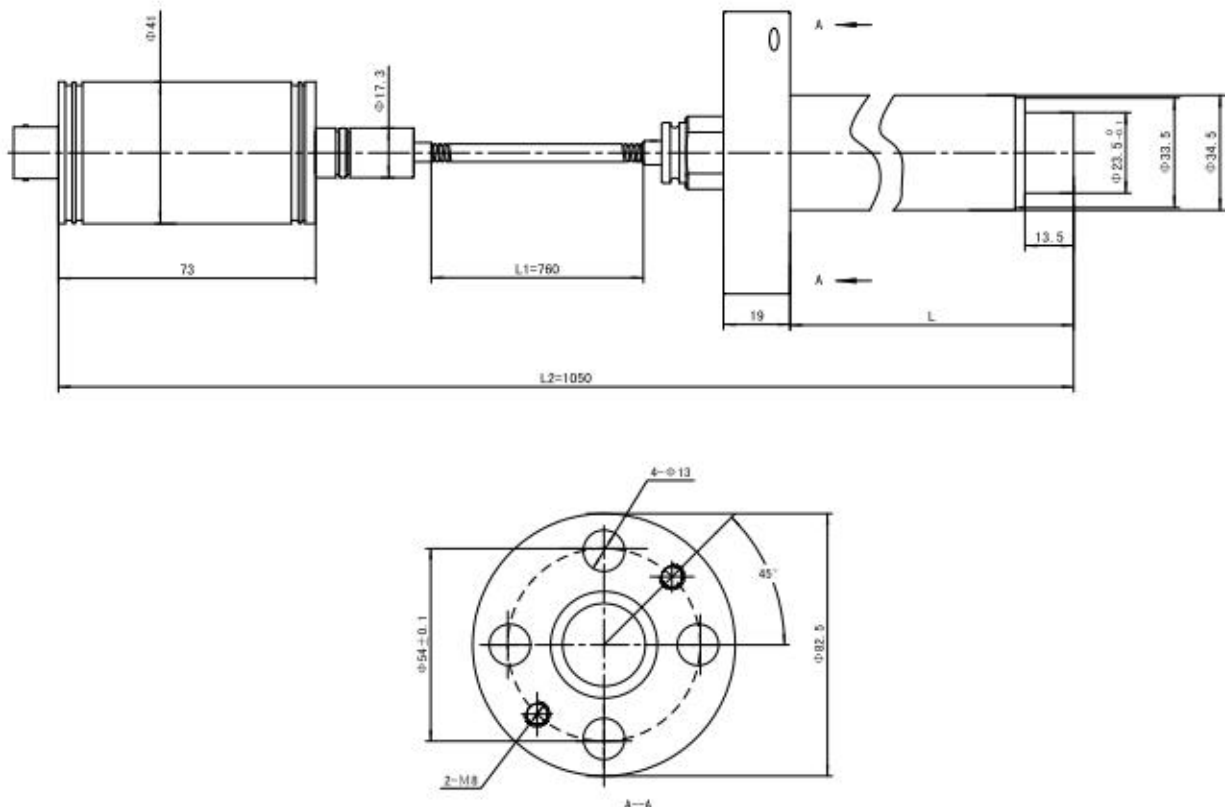
- ◆ Chemical fiber Equipment
- ◆ Polyester equipment
- ◆ Other pressure measurement and control

Feature

- ◆ High-standard quality
- ◆ Stainless steel Seal
- ◆ Easy to install
- ◆ Zero & Span Calibration
- ◆ Internal 80% calibration
- ◆ Excellent stability and repetition

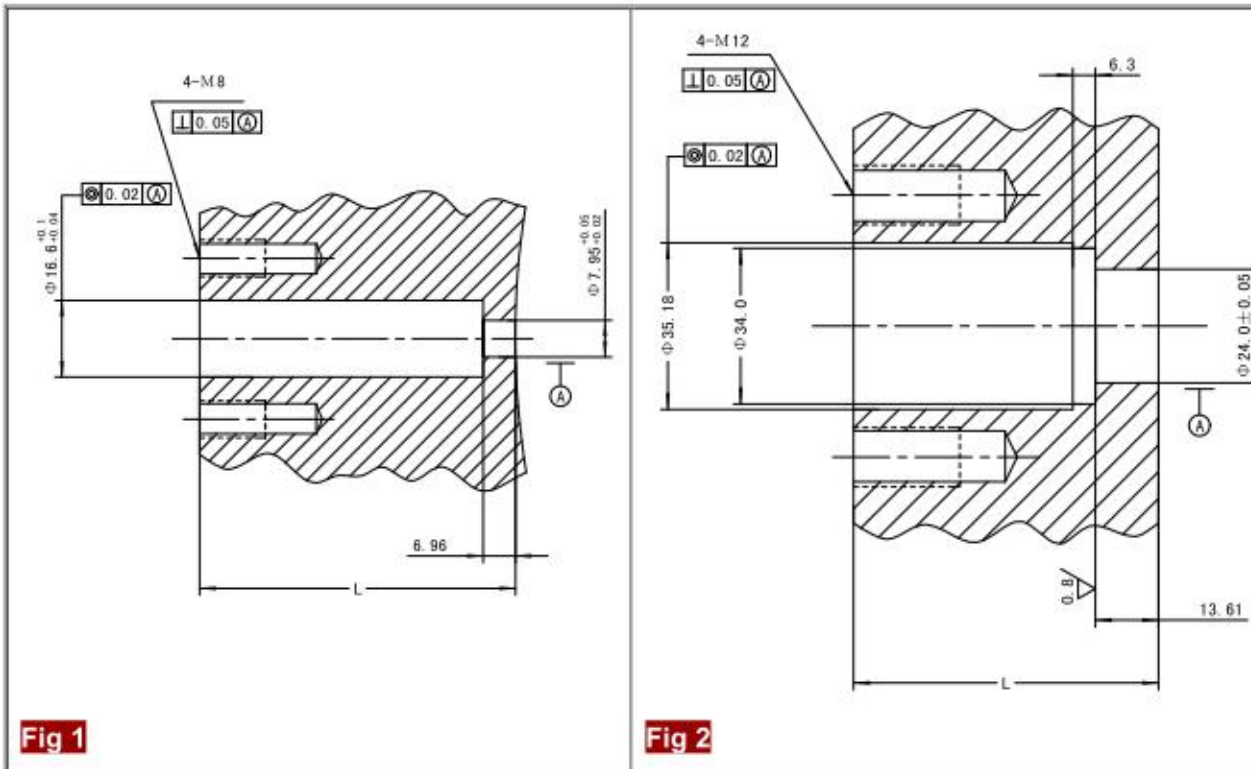


Dimension



Specification

| | |
|------------------------|--------------------------------------|
| Range: | 0...1MPa to 0...150MPa |
| Output: | 0~5V; 0~10V; 4~20mA; 2mV/V; 3.33mV/V |
| Accuracy: | ±0.5%FS; ±1%FS |
| Input voltage: | 24 (12-36V) DC; 10VDC |
| Repeatability: | ±0.2% |
| Construction: | Wheatstone bridge |
| Bridge resistance: | 350 ohms±10% |
| Overload pressure: | 2×FSO |
| Internal calibration: | 80%±1% |
| Insulation Resistance: | 1000Megohms @50Vdc |
| Max. Diaphragm Temp: | 400℃ |
| Electric connector: | 5PIN, 6PIN |
| Process connector: | Flange |

Mounting Hole

Ordering Guide

| Model | Range(bar) | Output | Screw Thread | Electric connection | Other requirement |
|------------|------------|--------|--------------|---------------------|-------------------|
| PT124B-126 | --- | --- | --- | --- | --- |

Example: PT124B-126-500Bar-4/20mA-Flange-6PIN