



## **DESCRIPTION**

PT2241 is a tri-state programmable encoder utilizing CMOS Technology specially designed for remote control applications. It encodes address and data codes into a coded waveform suitable for RF modulation and can provide up to 11 Address which may be designed by a one-time programmable process. PT2241 can support up to 4 Data Bits, thereby reducing inventory pressures. It is housed in 8 or 16-pin DIP or SO Package. The pin assignments and application circuit are optimized for easy PCB Layout and cost saving advantage.

## **FEATURES**

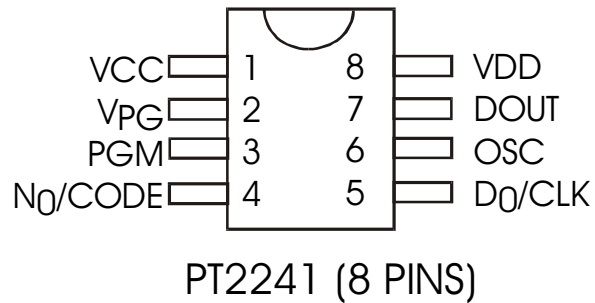
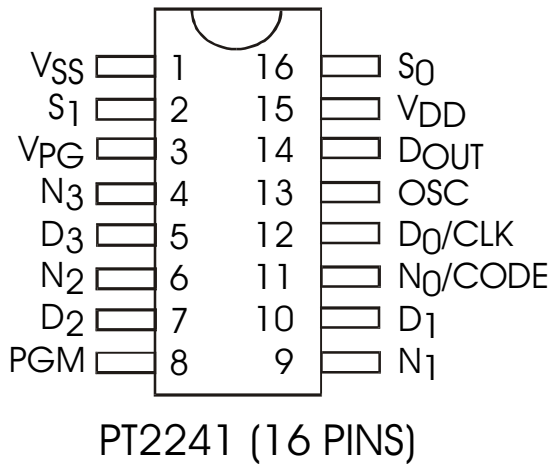
- CMOS Technology
- Low Power Consumption
- Least External Components
- High Noise Immunity
- Single Resistor Oscillator
- Operating Voltage: 1.8~15 V
- Up to 4 Data Pins
- Up to 3<sup>11</sup> Address Codes
- One-Time Programmable Process
- Available in SO or DIP Package
- Reduction of Inventory Pressures

## **APPLICATIONS**

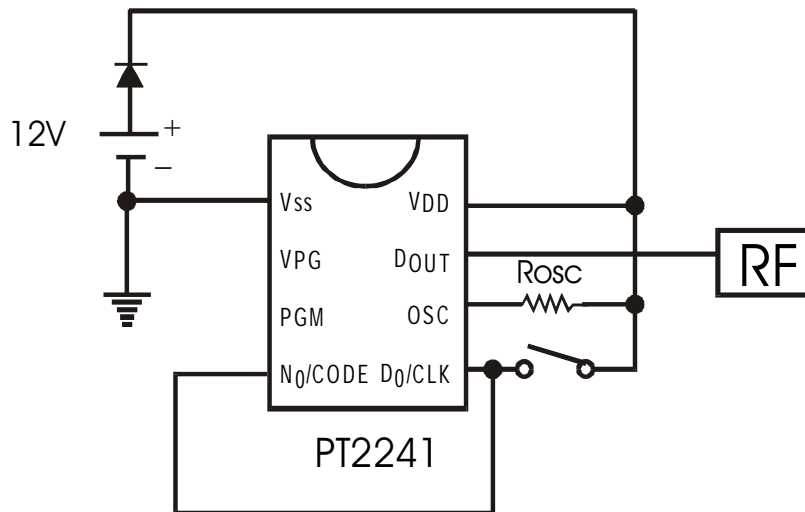
- Burglar Alarm System
- Car Security System
- Car/Garage Door Controller
- Home/Office Security System
- Personal Alarm System



### PIN CONFIGURATIONS



### APPLICATION CIRCUITS

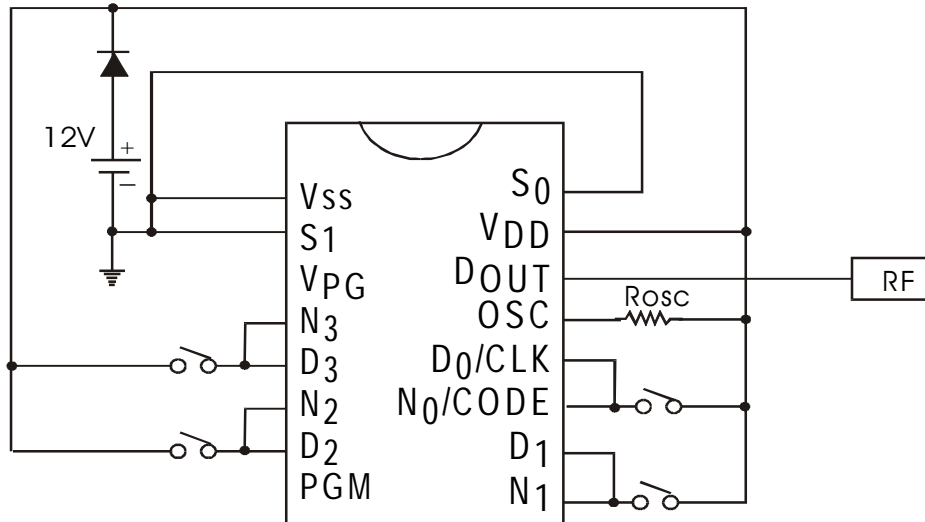


Note: In order that IC protection is assured, please make sure that a diode is connected between the battery and the VDD. If the diode is not connected and the battery polarity was inverted, the IC will fail.



Programmable Encoder IC

**PT2241**



**PT2241**

Note: In order that IC protection is assured, please make sure that a diode is connected between the battery and the VDD. If the diode is not connected and the battery polarity was inverted, the IC will fail.

**ORDER INFORMATION**

Valid Part Number	Package	Address Codes
PT2241	8 Pins, DIP	Programmable
PT2241-S	8 Pins, SOP (150 mil)	Programmable
PT2241P	8 Pins, DIP	Programmed
PT2241P-S	8 Pins, SOP (150 mil)	Programmed
PT2241-16	16 Pins, DIP	Programmable
PT2241-16S	16 Pins, SOP (150 mil)	Programmable
PT2241P-16	16 Pins, DIP	Programmed
PT2241P-16S	16 Pins, SOP (150 mil)	Programmed