



DESCRIPTION

PT2253A is an electronic volume controller IC utilizing CMOS Technology specially designed for use on audio equipments. It has two (2) built-in channels making it ideally suitable for mono and stereo sound applications. PT2253A provides a wide frequency response range and a very low harmonic distortion to mention a few; thereby guaranteeing a highly effective and reliable performance.

FEATURES

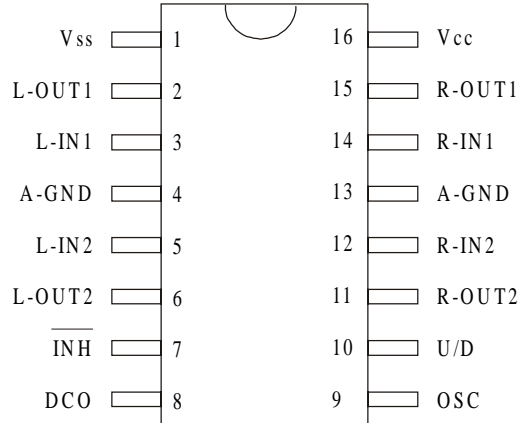
- CMOS Technology
- Low Power Consumption
- Operating Voltage Range : $V_{cc} = 6 \sim 12 \text{ V}$
(Backup Voltage is up to 4 V)
- 0dB to -68dB attenuation controlled by 2dB/step
- 2 Channels in each chip
- Capable to control attenuation by a built-in oscillator and Up/Down Pin
- Single Power Supply or Dual Power Supplies of (+) and (-) can be used
- Wide Frequency Response Range
- Very Low Harmonic Distortion
- Available in 16 pin, DIP Package

APPLICATIONS

- Audio Equipment Volume Control
- Traditional VR Replacement



PIN CONFIGURATION



PT2253A

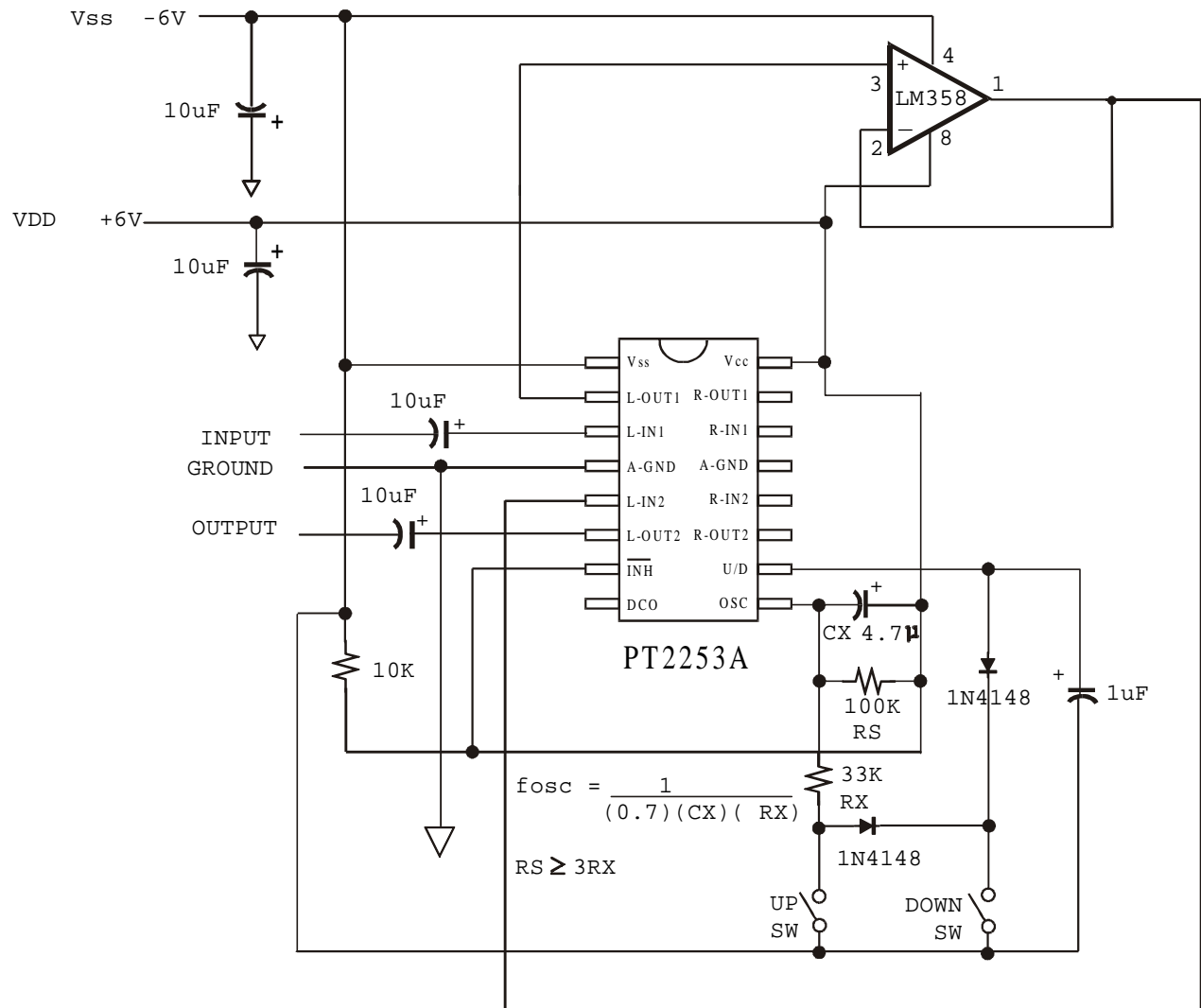
ORDER INFORMATION

Valid Part Number	Package Type
PT2253A	16 Pins, DIP



APPLICATION CIRCUIT 1

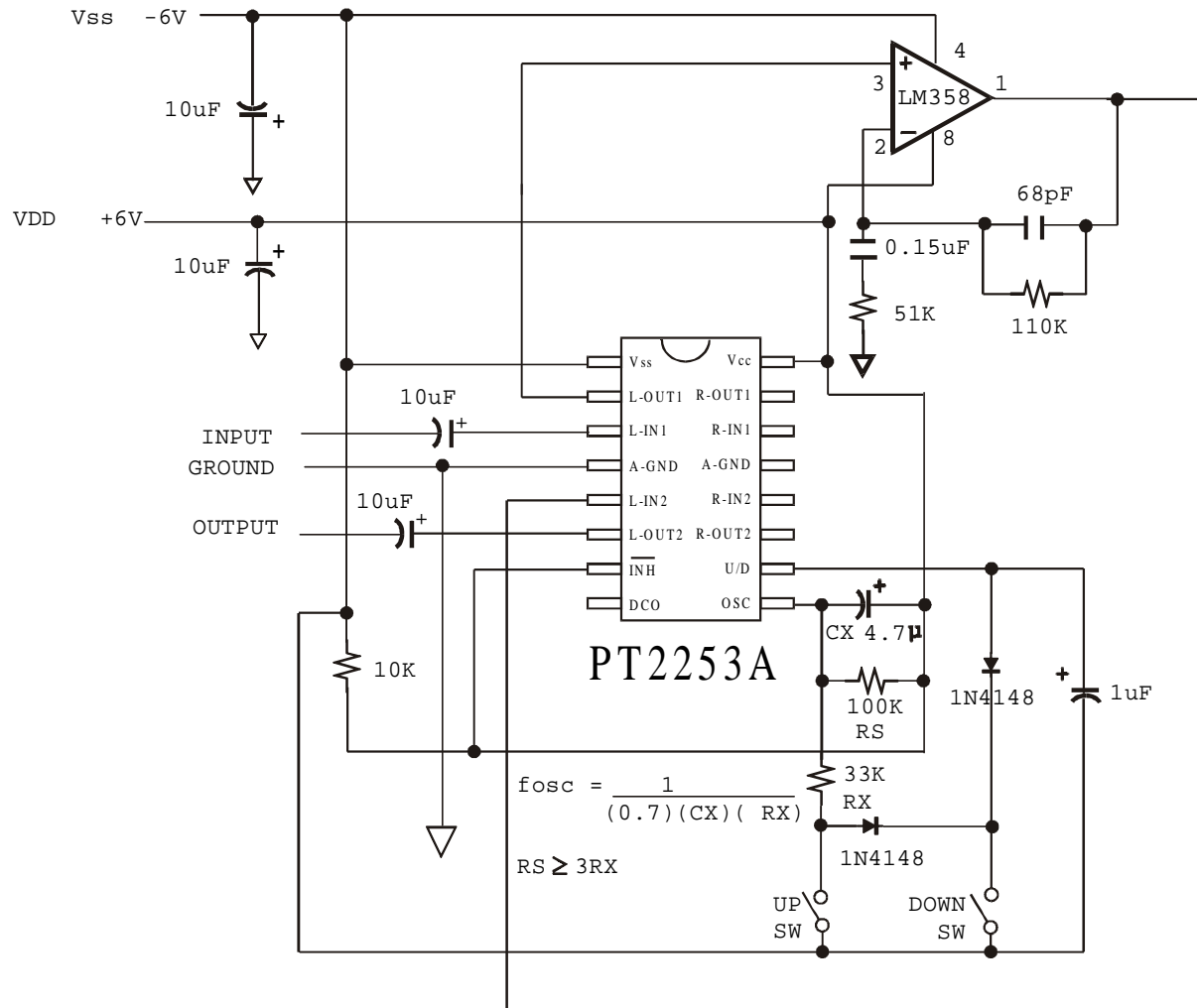
Dual Power Supply (L-Channel Only)





APPLICATION CIRCUIT 2

Dual Power Supply (L-Channel Only)



Note: Since the Buffer Amp between Att-1 and Att-2 is already 10dB Voltage Gain, higher input level may cause OP Amp's Output Clipping. To avoid unwanted distortion, the input signal level applied at IN-1 should not be over 1 V_{rms}.

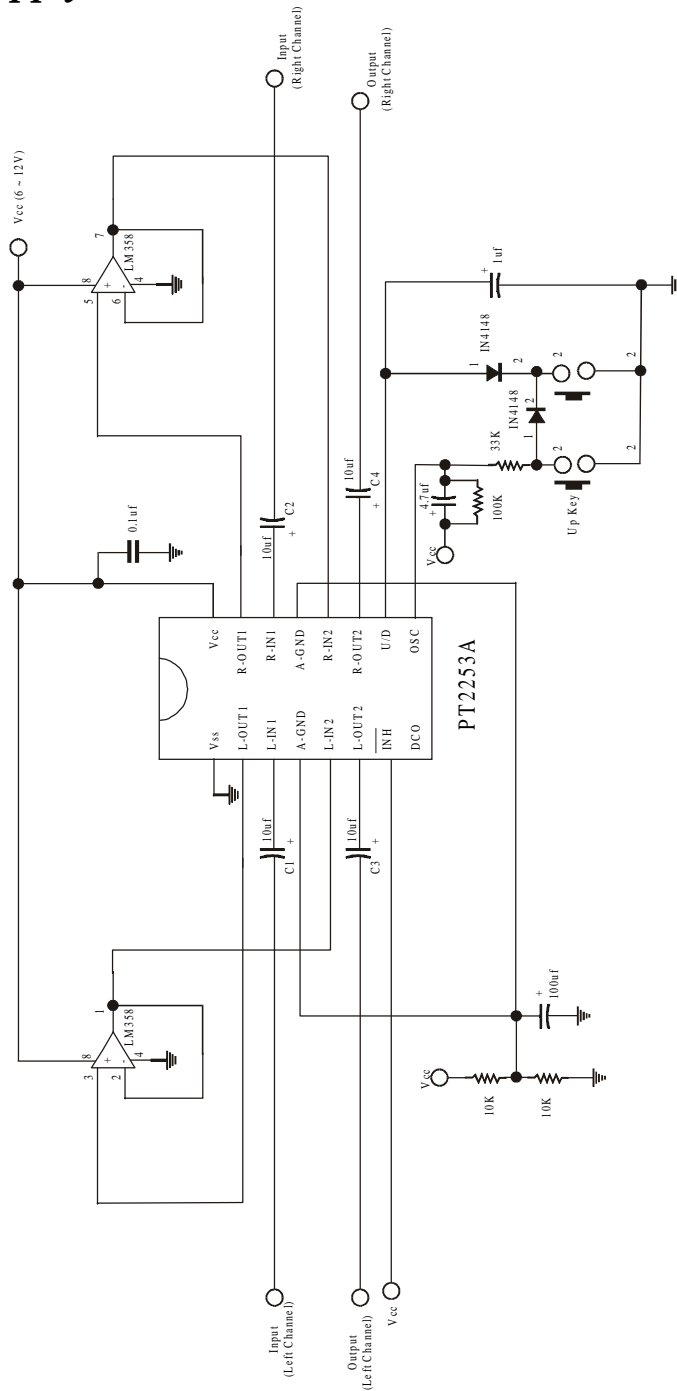


Electronic Volume Controller IC

PT2253A

APPLICATION CIRCUIT 3

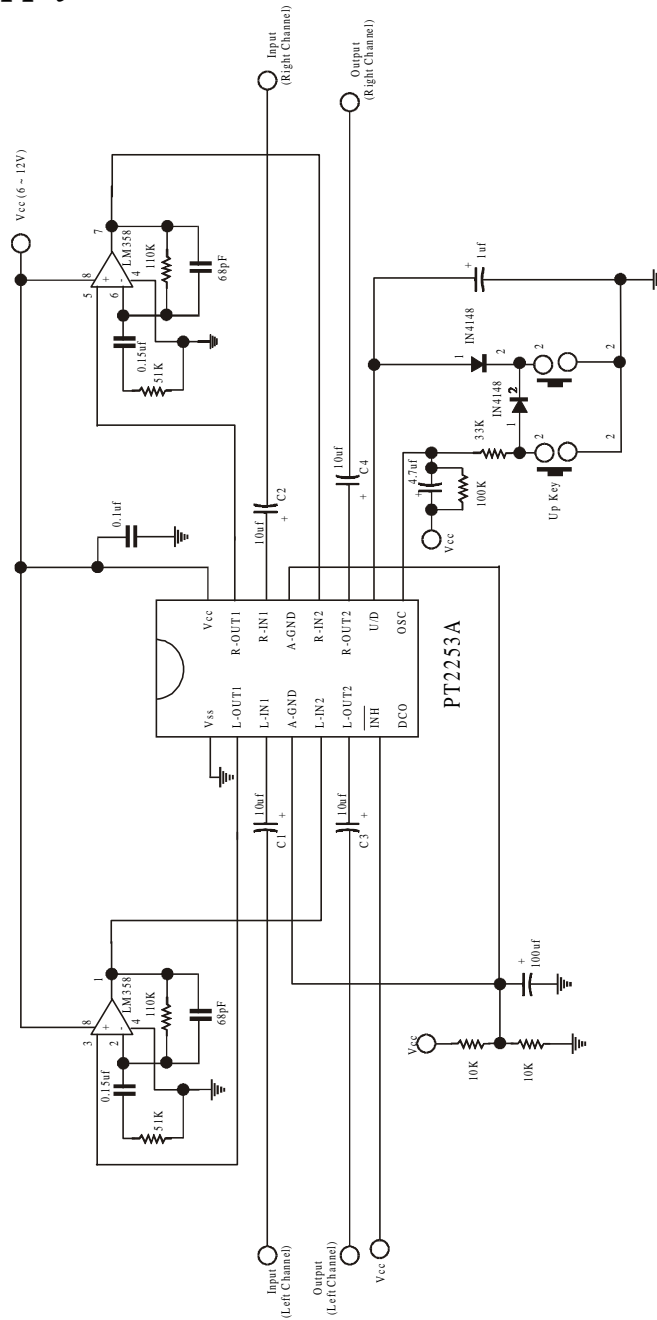
Single Power Supply





APPLICATION CIRCUIT 4

Single Power Supply



Note: Since the Buffer Amp between Att-1 and Att-2 is already 10dB Voltage Gain, higher input level may cause OP Amp's Output Clipping. To avoid unwanted distortion, the input signal level applied at IN-1 should not be over 1 Vrms.