



## DESCRIPTION

PT2318 is a sound fader controller IC utilizing CMOS Technology specially designed for car radio hi-fi audio applications. Four selectable stereo inputs, 1 mono input, bass, treble, volume, balance and fader controls, mute function and a special loudness feature which is automatically controlled in combination with the volume level setting are all built into a single I<sup>2</sup>C bus controlled stereo preamplifier chip having the highest performance and reliability. Pin assignments and application circuits are optimized for easy PCB layout and cost saving advantages.

## FEATURES

- CMOS Technology
- I<sup>2</sup>C Bus Control Interface
- 4 Selectable Stereo Inputs
- 1 Mono Input
- Volume, Balance and Fader Controls
- Bass & Treble Controls
- Noise Reduction Circuit Interface provided
- External Equalizer Interface provided
- Mute Control at Audio Signal Zero Crossing
- Internal Power-On Reset Function
- Mute Function controlled via the I<sup>2</sup>C Bus or Pin
- Special Automatic Loudness Feature in combination with the Volume Setting

## APPLICATIONS

- Car Audio
- Hi-Fi Audio Applications

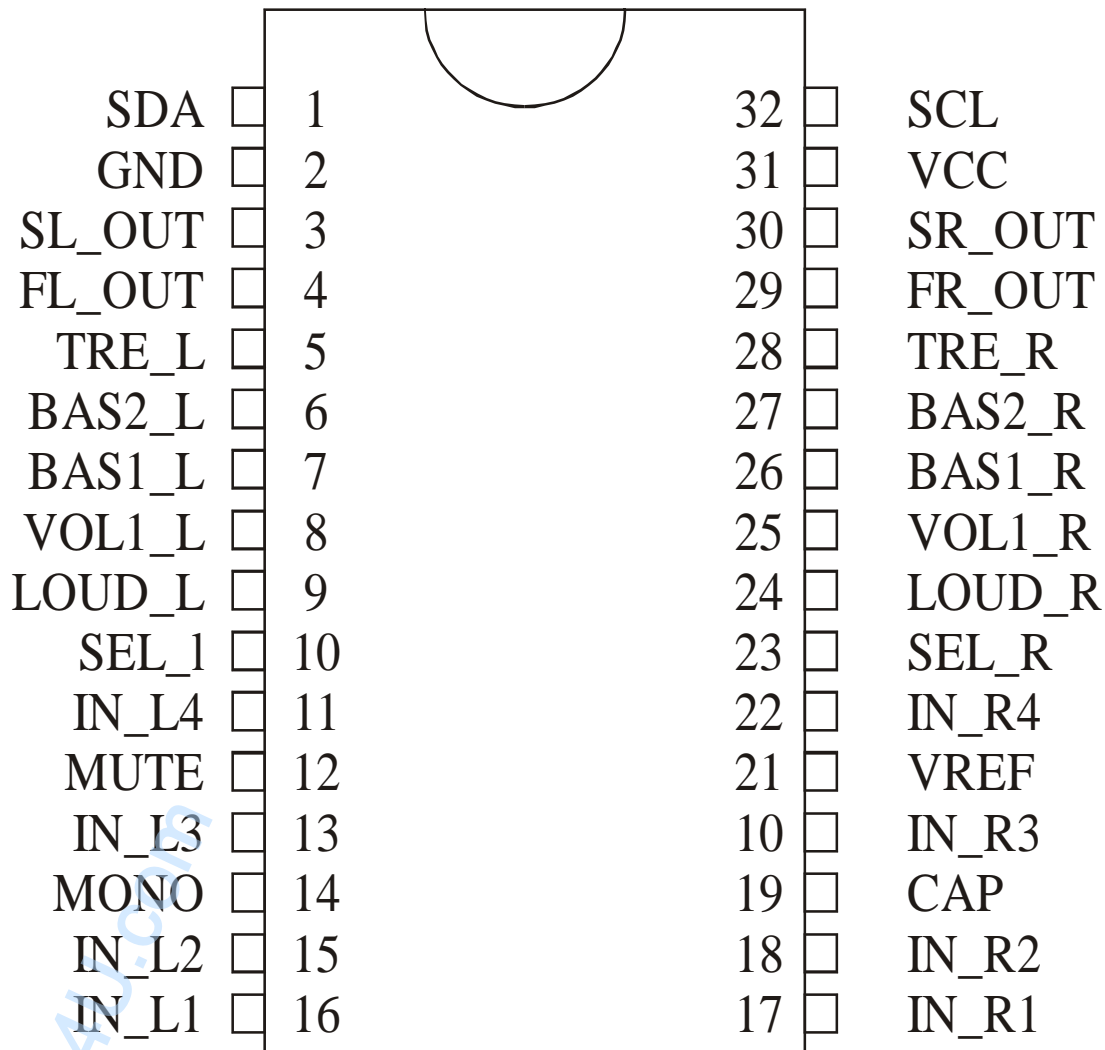


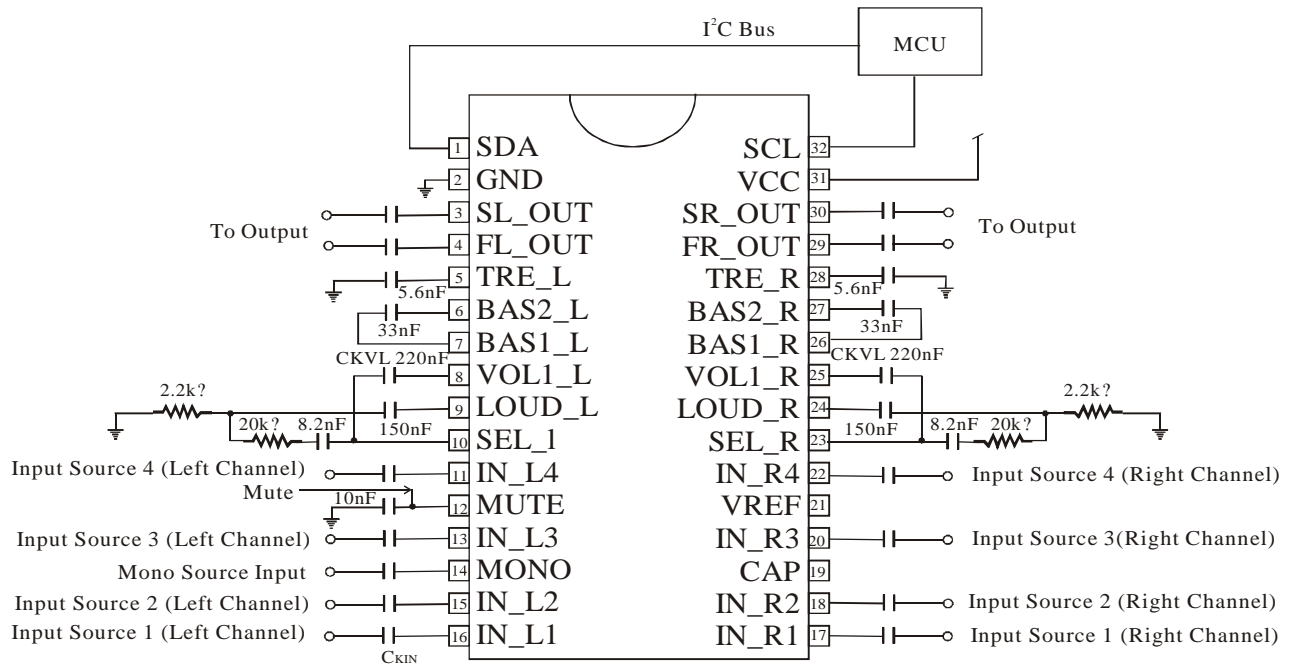
Sound Fader Controller IC

Preliminary

PT2318

## PIN CONFIGURATION




**Sound Fader Controller IC**
**Preliminary**
**PT2318**
**APPLICATION CIRCUIT**

**ORDER INFORMATION**

Valid Partnumber	Package Type
PT2318	32-pins, SOP Package (300 mil)