



DESCRIPTION

PT2366L is an audio power amplifier IC utilizing advanced CMOS technology. It can deliver 1W power output under 5V supply voltage. The power consumption is very low in stand-by mode.

Built-in over-temperature protection, package size is not occupies PCB space. It is suitable for small or portable products.

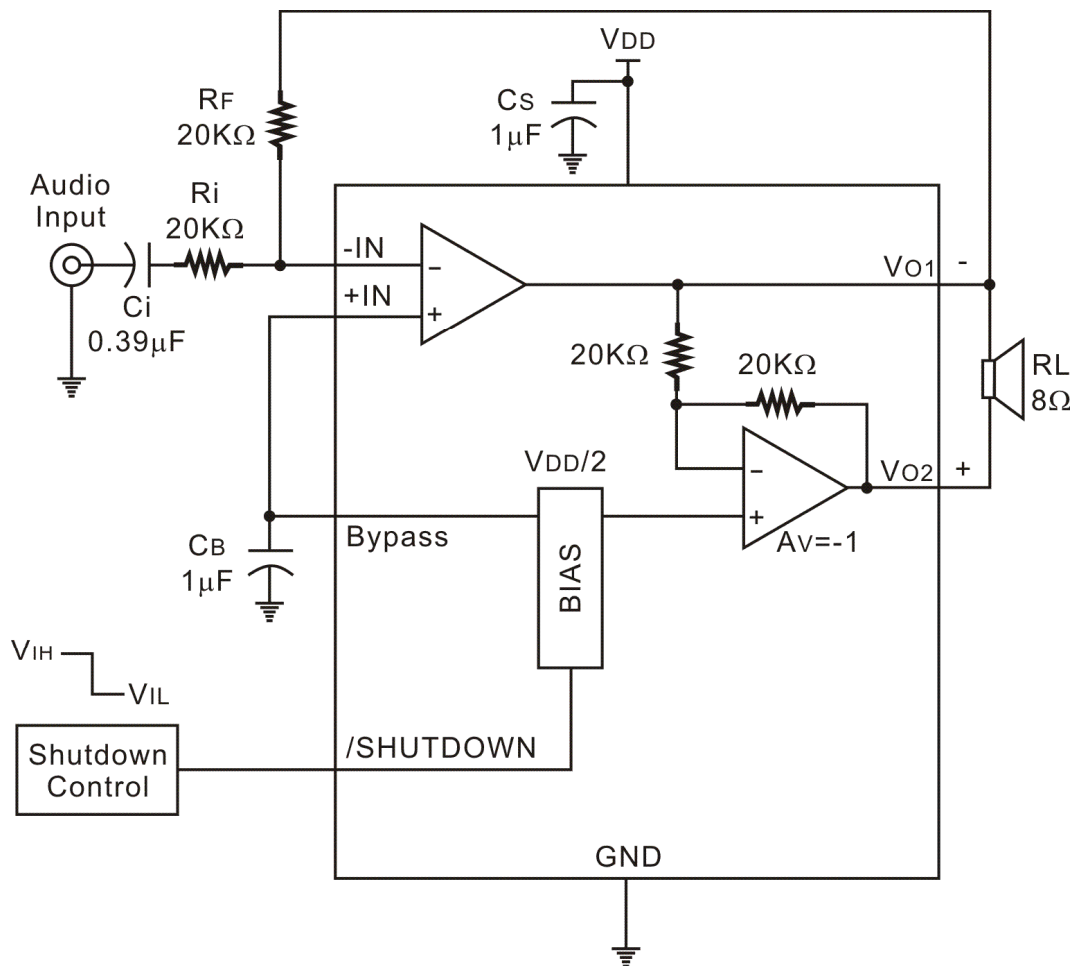
FEATURES

- CMOS technology
- Output power 1W (8Ω)
- Low harmonics distortion
- Built-in pop and click noise suppress
- Shutdown function, turn on can into save mode ($I_{cc} < 0.1\mu A$)
- Built-in over-temperature protection

APPLICATIONS

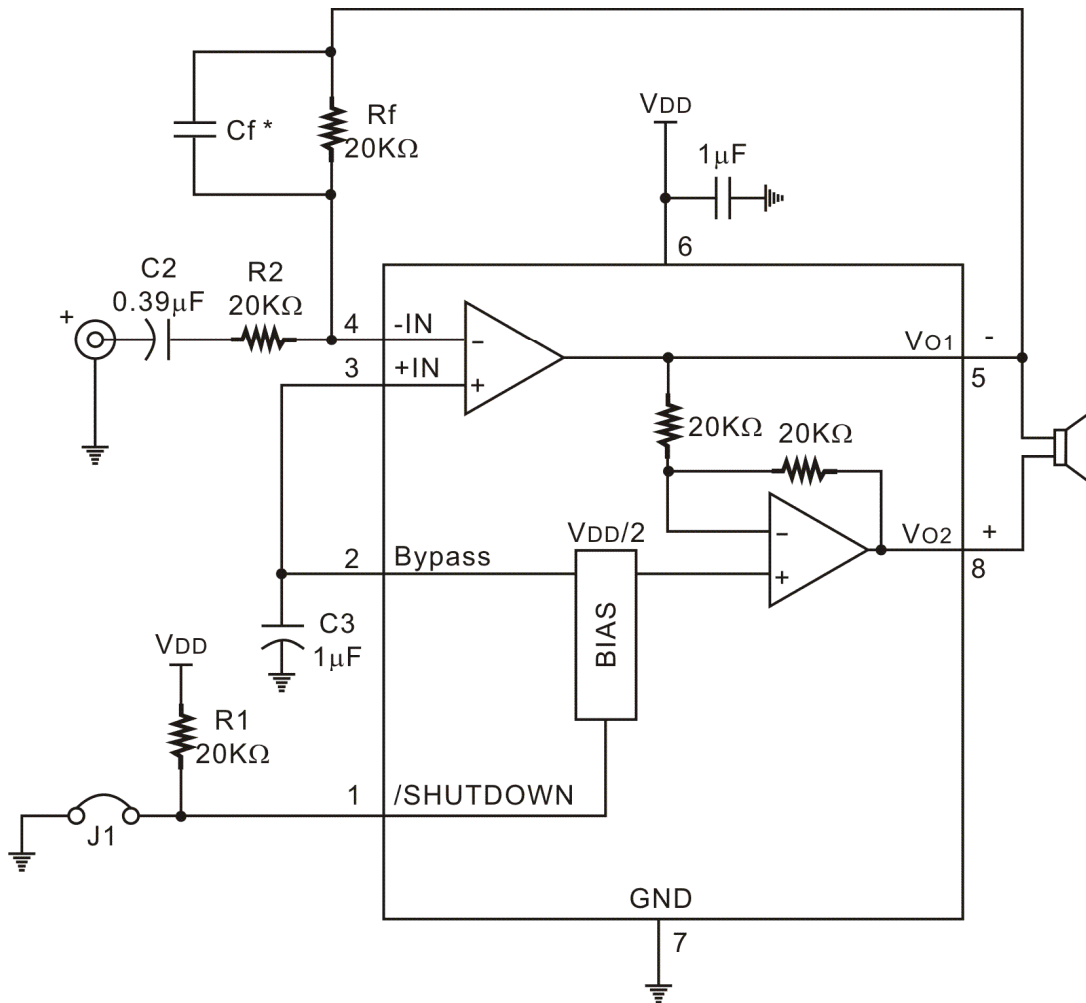
- DSC, PDA
- LCD TV or Monitor
- Electronic dictionary
- Multimedia speaker
- Other A/V applications

BLOCK DIAGRAM



APPLICATION CIRCUIT

SINGLE ENDED INPUT



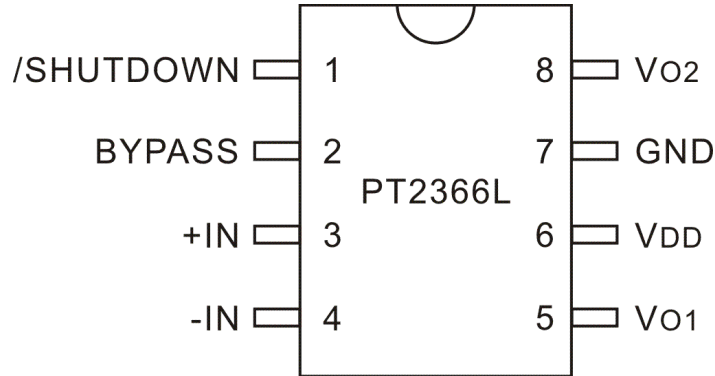
Notes:

1. *=Not stuffed
2. Add a circuit (Cf) if needed, it can be a low filter to delete high frequency oscillation, but must to avoid incorrect Rf and Cf combination to cause "glide" before 20KHz. In general Rf=20KΩ, Cf=25pF, -3dB is 320KHz is recommended.

ORDER INFORMATION

Valid Part Number	Package Type	Top Code
PT2366L-MS	8 Pins, MSOP, 118mil	PT2366L

PIN CONFIGURATION



PIN DESCRIPTION

Pin Name	I/O	Description	Pin No.
/SHUTDOWN	I	Shutdown pin Entire IC into the shutdown mode when this pin connected to the GND	1
BYPASS	I	Internal bias reference bypassing	2
+IN	I	Channel input (+)	3
-IN	I	Channel input (-)	4
V _{O1}	O	Channel output (-)	5
V _{DD}	-	Supply voltage	6
GND	-	Ground	7
V _{O2}	O	Channel output (+)	8