



DESCRIPTION

PT4450 is a high performance ASK/OOK transmitter for the Remote Keyless Entry (RKE) systems. It consists of a SAW oscillator, power amplifier, and one-shot circuit which control the SAW oscillator and power amplifier.

FEATURES

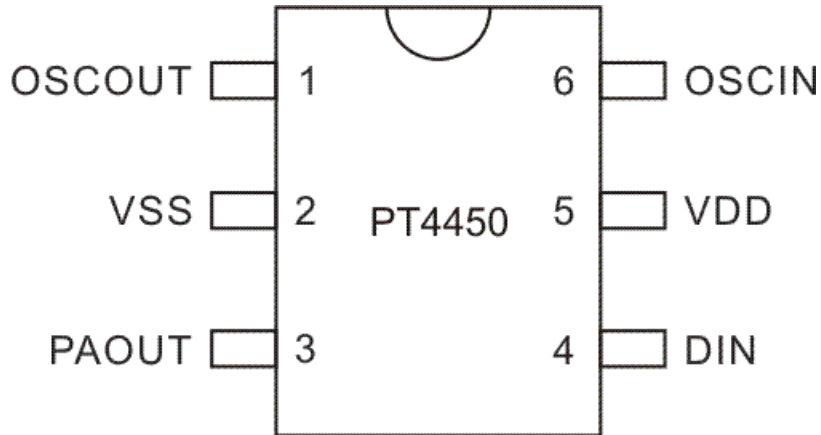
- Highly integrated ASK/OOK transmitter
- High output power, 3V/+10dBm/18mA
- Low supply voltage (2.2V to 3.6V operation range)
- Low external component cost.
- SAW-based oscillator, frequency range from 250MHz to 500MHz
- On-chip one-shot circuit
- 50dB RF on/off ratio
- Available in 6 pins, SOT-23 package

APPLICATIONS

- Keyless entry systems
- Remote control systems
- Garage door openers
- Alarm systems
- Security systems
- Wireless sensors



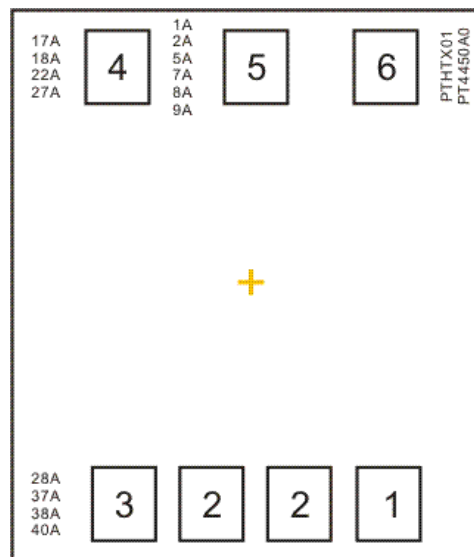
PIN CONFIGURATION



PIN DESCRIPTION

Pin Name	I/O	Description	Pin No.
OSCOUT	O	Oscillator output	1
VSS	G	Ground connection	2
PAOUT	O	Power amplifier output	3
DIN	I	Data input, it will also be used to enable the chip	4
VDD	P	Power supply	5
OSCIN	I	Oscillator input	6

DIE PAD DIAGRAM





ABSOLUTE MAXIMUM RATINGS

($V_{SS}=0V$)

Parameter	Symbol	Rating	Unit
Supply voltage	V_{DD}	$V_{SS} -0.3$ to $V_{SS} +6.0$	V
Operating temperature	T_{opr}	-40 to +85	°C
Storage temperature	T_{stg}	-65 to +150	°C
Soldering temperature	T_{SLD}	255	°C
Soldering time	t_{SLD}	10	Sec.

RECOMMEND OPERATING CONDITIONS

($V_{SS}=0V$)

Parameter	Symbol	Rating			Unit
		Min.	Typ.	Max.	
Supply voltage range	V_{DD}	2.2	3.0	3.6	V
Operating temperature	T_A	-40	25	85	°C



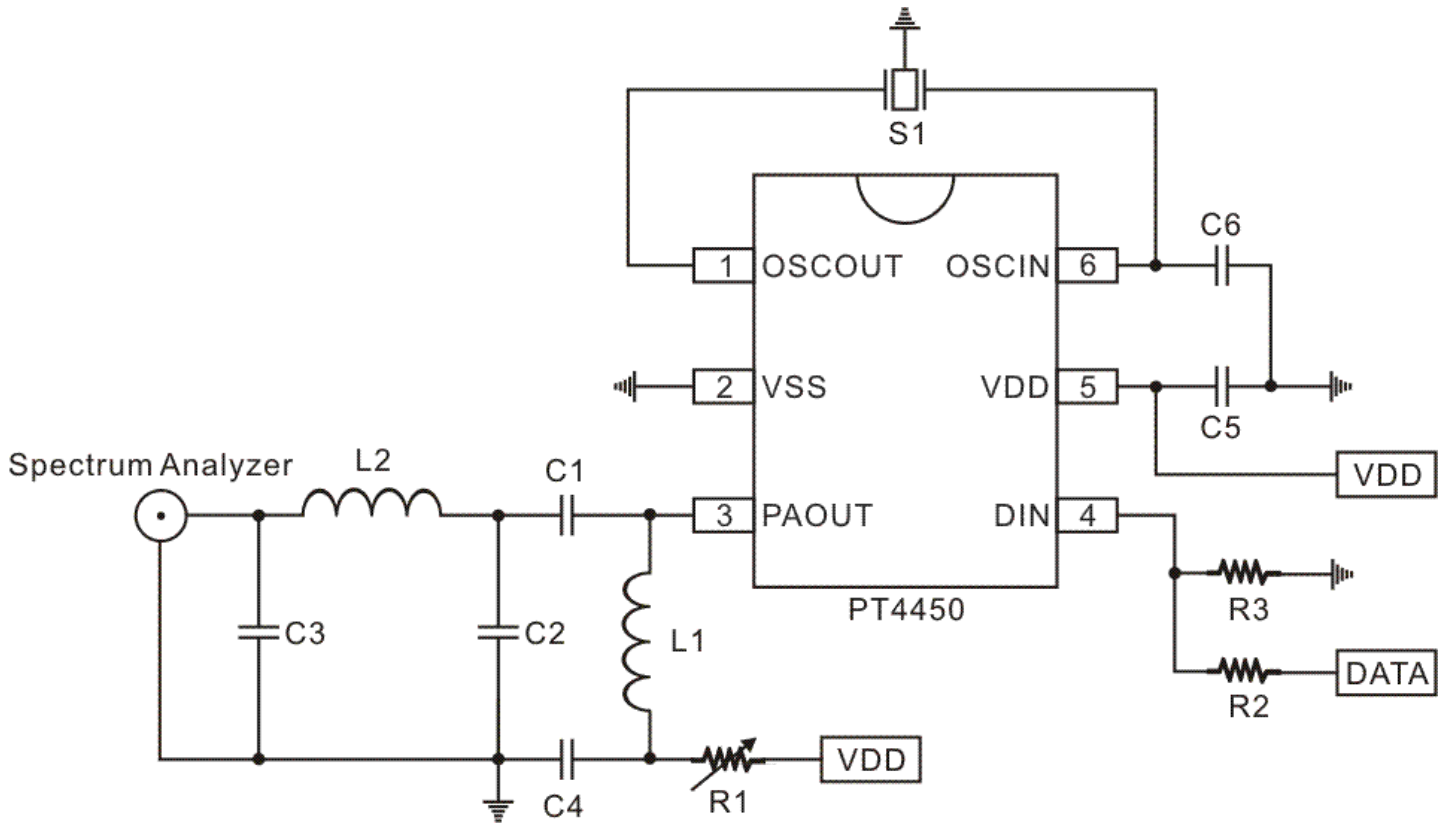
ELECTRICAL CHARACTERISTICS

(Unless otherwise specified, $V_{DD}=3.0V$, $V_{SS}=0V$, $DIN=3.0V$, $Temp=27^{\circ}C$, $f_{RF}=434MHz$)

Parameter	Symbol	Condition	Rating			Unit
			Min.	Typ.	Max.	
DC						
Supply voltage	V_{DD}		2.2	3.0	3.6	V
Operating current ^(Note)	I_{DD}	DIN=High(CW mode); $P_{OUT}=10dBm$	16	-	18	mA
Standby current	$I_{standby}$	DIN=Low; $T_{DELAY}>50ms$	-	-	1	μA
RF						
Frequency range	f_{RF}		250	-	500	MHz
Power amplifier output power ^(Note)	P_{out}		-	+10	-	dBm
RF power on/off ratio	P_{EXT}		-	50	-	dB
Phase noise	P_{NOISE}	10KHz offset	-	-100	-	dBc/Hz
Harmonics (see Note)	P_{HARM}	$2x/3x f_{RF}$	-	-40	-	dBc
Data Input and One Shot						
Data rate	D_{RATE}		0.5	2	50	Kbps
Start up time	T_{ON}		-	-	200	μs
One shot delay time	T_{DELAY}		50	-	-	ms

Note: Depend on power amplifier output matching.

TESTING CIRCUIT



Component	Values		Unit
	315MHz Band	434MHz Band	
S1 (see Note)	315	434	MHz
R1	0	0	Ω
R2	10K	10K	Ω
R3	470K	470K	Ω
L1	180n	180n	H
L2	27n	27n	H
C1	220p	220p	F
C2	12p	4.7p	F
C3	22p	12p	F
C4, C5	100n	100n	F

Note: S1 is a SAW resonator.



ORDER INFORMATION

Valid Part Number	Package Type	Top Code
PT4450 (L)	6 Pins, SOT-23	PT4450

Notes:

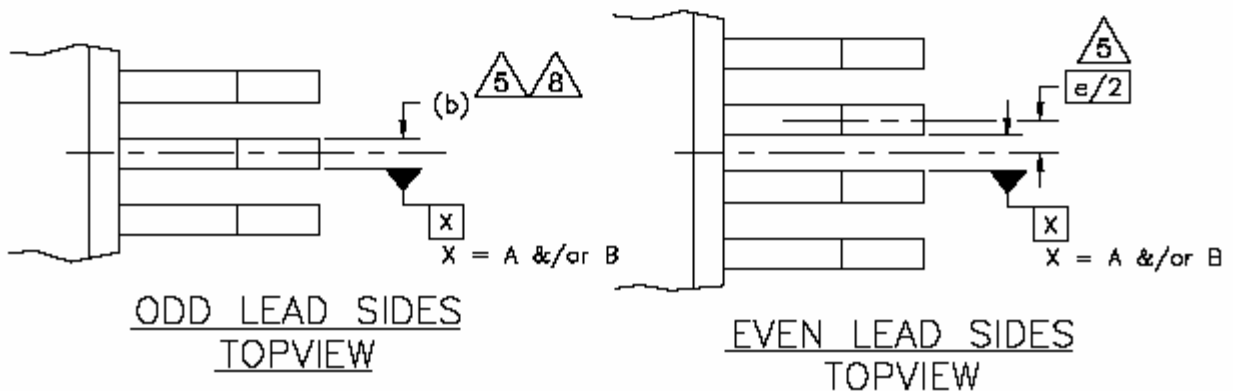
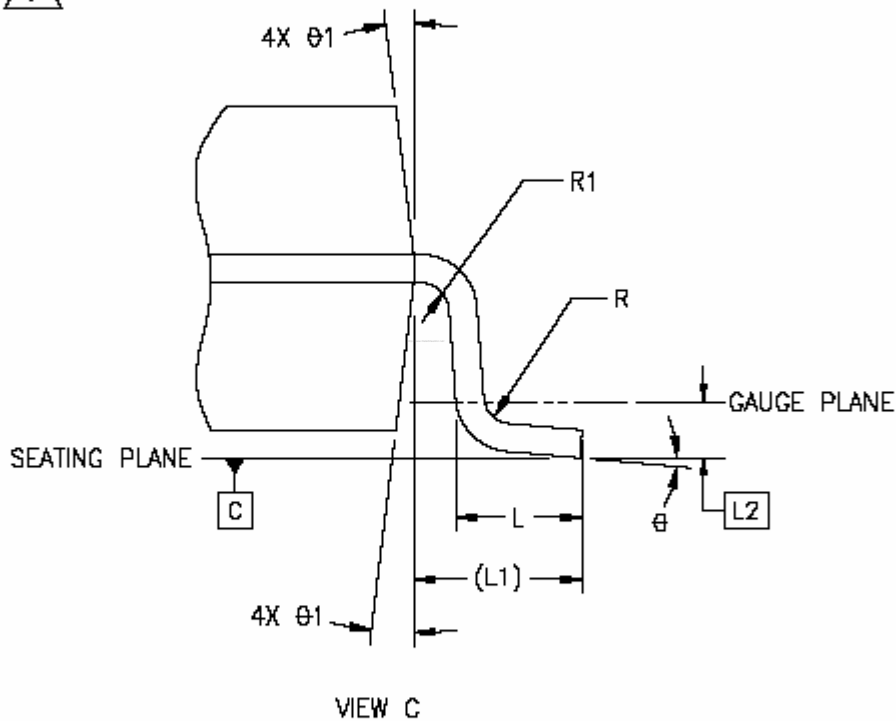
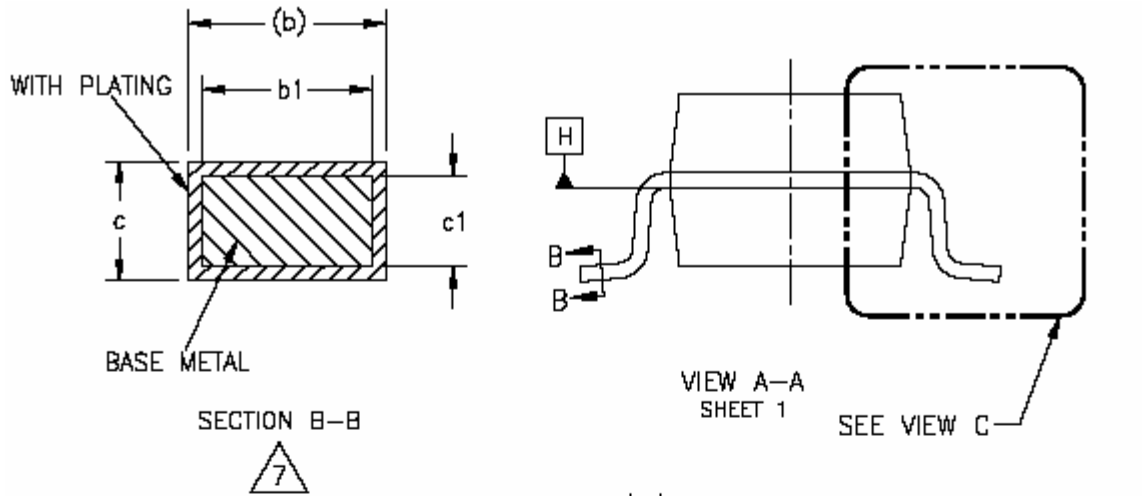
1. (L), (C) or (S) = Lead Free
2. The Lead Free mark is put in front of the date code



SAW-based ASK/OOK Transmitter IC

Preliminary

PT4450





SAW-based ASK/OOK Transmitter IC

Preliminary

PT4450

Symbol	Min.	Typ.	Max.
A	-	-	1.45
A1	0	-	0.15
A2	0.90	1.15	1.30
b	0.30	-	0.50
b1	0.30	0.40	0.45
c	0.08	-	0.22
c1	0.08	0.13	0.20
D	2.90 BSC.		
E	2.80 BSC.		
E1	1.60 BSC.		
e	0.95 BSC.		
e1	1.90 BSC.		
L	0.30	0.45	0.60
L1	0.60 REF.		
L2	0.25 BSC.		
R	0.10	-	-
R1	0.10	-	0.25
θ	0°	4°	8°
$\theta 1$	5°	10°	15°
aaa	0.15		
bbb	0.20		
ccc	0.10		
ddd	0.20		



Notes:

1. Dimension and tolerancing per ASME Y14.5M-1994.
2. Dimension in Millimeters.
3. Dimension D does not include mold flash, protrusion or gate burrs. Mold flash, protrusions or gate burrs shall not exceed 0.25mm per end. Dimension E1 does not include interlead flash or protrusion. Interlead flash or protrusion shall not exceed 0.25mm per side. D and E1 dimensions are determined at datum H.
4. The package top may be smaller than the package bottom. Dimensions D and E1 are determined at the outermost extremes of the plastic body exclusive of mold flash, tie bar burrs, gate burrs and interlead flash, but including any mismatch between the top and bottom of the plastic body. D and E1 dimensions are determined at datum H.
5. Datums A & B to be determined at datum H.
6. These dimensions apply to the flat section of the lead between 0.08mm and 0.15mm from the lead tip.
7. Dimension "b" does not include dambar protrusion. Allowable dambar protrusion shall be 0.08mm total in exceed of the "b" dimension at maximum material condition. The dambar cannot be located on the lower radius of the foot. Minimum space between protrusion and an adjacent lead shall not be less than 0.07mm.
8. Details of the pin 1 identifier are optional, but must be located within the zone indicated.
9. Refer to JEDEC MO-178 Variation AB

JEDEC is the trademark of JEDEC SOLID STATE TECHNOLOGY ASSOCIATION