

## Features

- IEEE.802.3 Ethernet compatible
- Dual channel 16-pin SMD
- Lead free versions available (see How to Order)
- Lead free versions are RoHS compliant\*

## Applications www.DataSheet4U.com

- Ethernet

# PT61011 - LAN 10/100 Base-Tx

### Electrical Specifications @ 25 °C

Inductance - Open Circuit ....350  $\mu$ H min.  
(100 KHz, 0.2 V with 8 mA DC bias)  
Turns Ratio ( $\pm 2$  %)  
.....TX 1CT : 1CT; RX 1CT : 1 CT  
Leakage Inductance .....0.5  $\mu$ H max.  
DCR .....0.9 ohms max.  
Insertion Loss  
0.1 - 100 MHz .....-1.0 dB max.  
Return Loss (@ 100 ohms)  
0.1 - 30 MHz .....-18 dB min.  
30 - 60 MHz .....-14 dB min.  
60 - 80 MHz .....-11 dB min.  
Cross Talk  
0.1 - 100 MHz .....-35 dB min.  
Common Mode Rejection Ratio  
1 - 100 MHz .....-40 dB typ.  
Cww .....25 pF max.  
Isolation .....1500 VAC  
Operating Temperature ....0 °C to +70 °C

\*CT: Center tap

### Packaging Specifications

Tube .....18 pcs./tube  
Reel.....750 pcs./reel

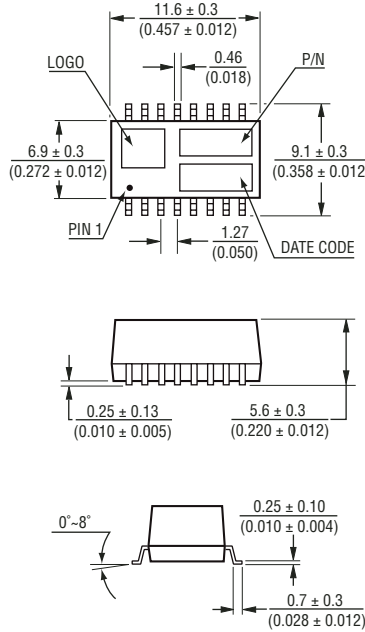
### How to Order

Model **PT61011**

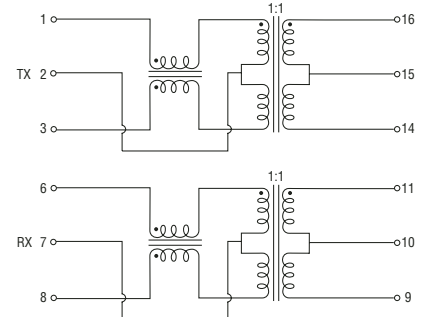
Packaging  
Blank = 18 pcs./tube  
E = 750 pcs./reel

Termination Coating  
Blank = Tin-lead  
L = 100 % Tin (lead free)

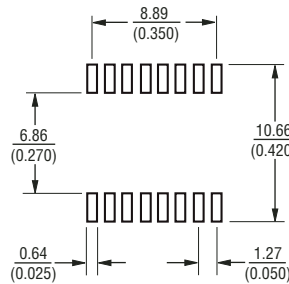
### Product Dimensions



### Electrical Schematic



### Recommended Layout



DIMENSIONS ARE:  $\frac{\text{MM}}{\text{(INCHES)}}$



Reliable Electronic Solutions

**Asia-Pacific:**  
TEL +886-2 25624117 • FAX +886-2 25624116  
**Europe:**  
TEL +41-41 7685555 • FAX +41-41 7685510  
**The Americas:**  
TEL +1-951 781-5500 • FAX +1-951 781-5700  
[www.bourns.com](http://www.bourns.com)

REV. 04/06

\*RoHS Directive 2002/95/EC Jan 27 2003 including Annex  
Specifications are subject to change without notice.  
Customers should verify actual device performance in their specific applications.

[www.DataSheet4U.com](http://www.DataSheet4U.com)

COPYRIGHT©2006, BOURNS, INC. LITHO IN U.S.A. e 03/06 IC0614