

## DESCRIPTION

PT6318 is a Vacuum Fluorescent Display (VFD) Controller driven on a 1/8 to 1/16 duty factor housed in 52-pin plastic QFP Package. Twelve segment output lines, 8 grid output lines, 8 segment/grid output drive lines, one display memory, control circuit, key scan circuit are all incorporated into a single chip to build a highly reliable peripheral device for a single chip micro computer. Serial data is fed to PT6318 via a three-line serial interface.

## FEATURES

- CMOS Technology
- Low Power Consumption
- Key Scanning (12 x 4 matrix)
- Multiple Display Modes: (12 segments, 16 digits to 20 segments, 8 digits)
- 8-Step Dimming Circuitry
- LED Ports Provided (5 channels, 20 mA max.)
- 4- Bits General Purpose Input Ports Provided
- Serial Interface for Clock, Data Input, Data Output, Strobe Pins
- No External Resistors Needed for Driver Outputs
- Available in 52-pin QFP Package

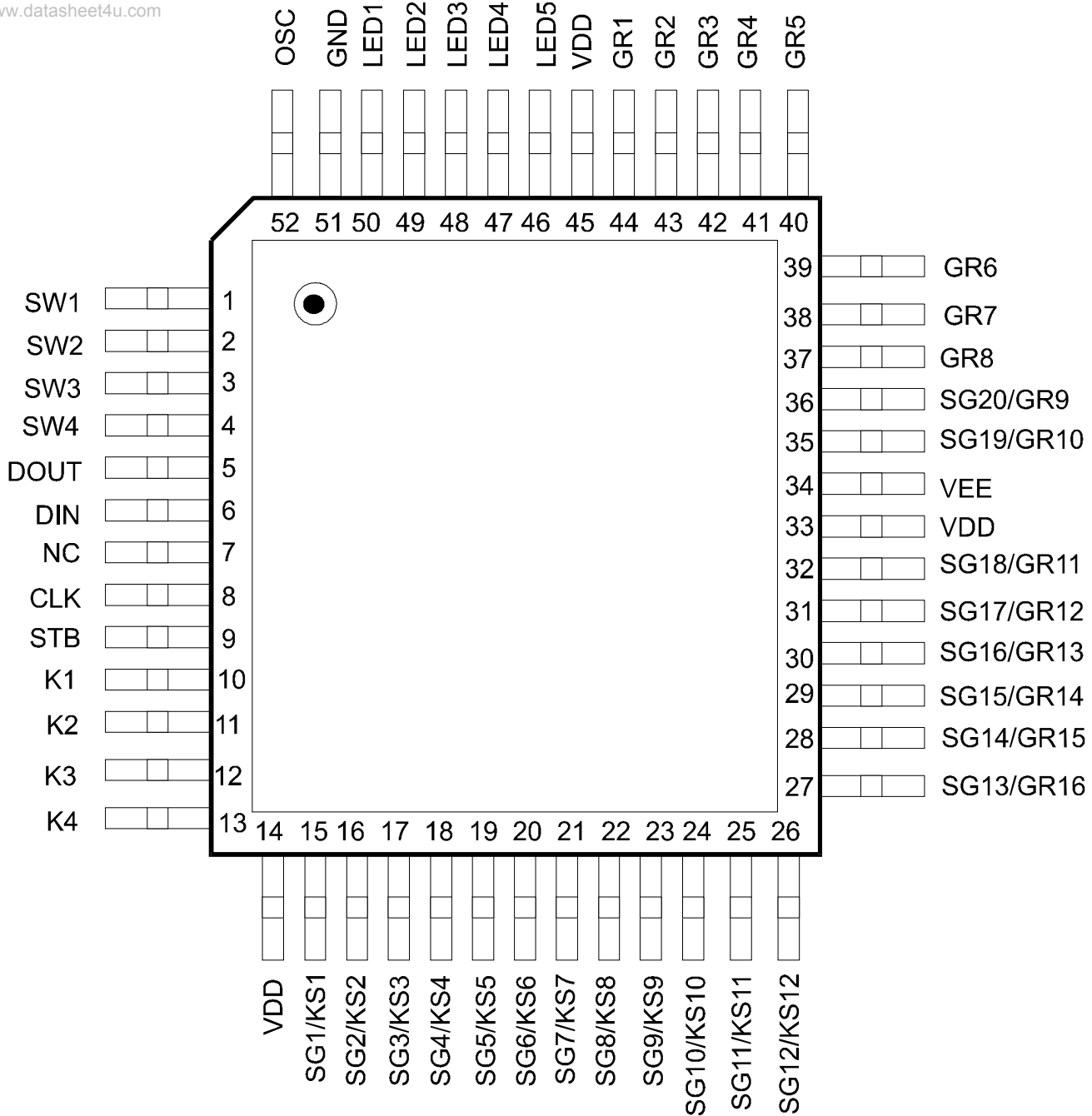
## APPLICATION

- Microcomputer Peripheral Device

**VFD Driver/Controller IC** **PT6318**

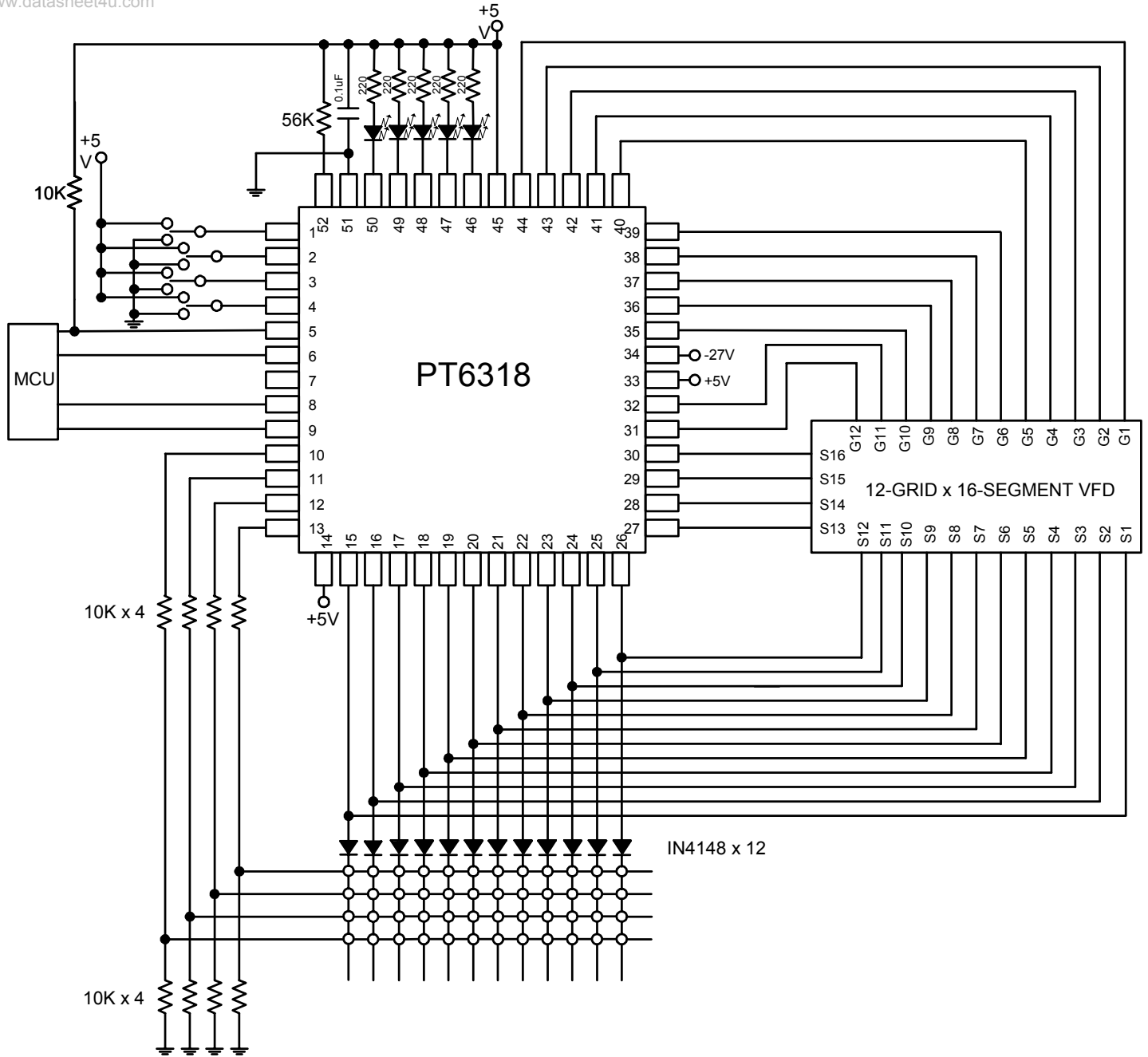
# PIN CONFIGURATION

www.datasheet4u.com



# 12-GRID X 16-SEGMENT VFD APPLICATION CIRCUIT

[www.datasheet4u.com](http://www.datasheet4u.com)



## ORDER INFORMATION

www.datasheet4u.com

Order Part Number	Package Type	Top Code
PT6318	52 Pins QFP Package	PT6318
PT6318 (L)	52 Pins QFP Package	PT6318

Notes:

1. (L) = Lead Free
2. The Lead Free mark is put in front of the date code.