

Features

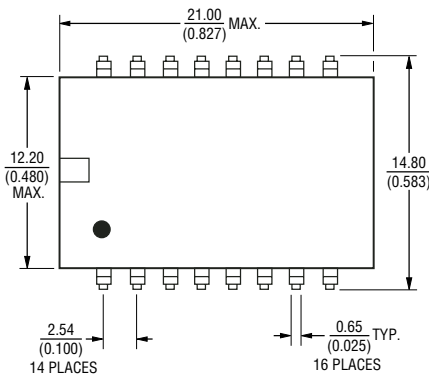
- Low profile 16 pin SMD package
- Meets the CCITT 1.430 waveform template when chip pairs and recommended transformer are used
- 2 KVrms HIPOT
- Weight: 7.2 g
- Longitudinal balance from 10 KHz to 300 KHz: 60 dB min.
- Lead free version available (see How to Order)
- Lead free versions are RoHS compliant*

PT73031 - SMD - ISDN S Interface Transformer

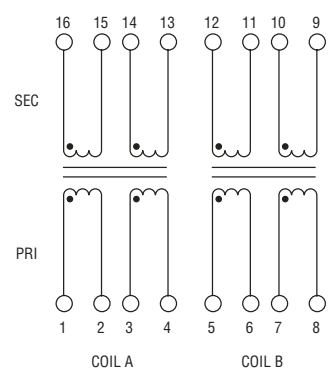
Electrical Specifications @ 25 °C

Turns Ratio ±2 %	
A	1:2
B	1:2
OCL PRI (mH min.)	
A & B	22
LL SEC (µH max.)	
A	15
B	15
Cww (pF max)	
A & B	100
Pri DCR (Ω ±15 %)	
A	2.5
B	2.5
Sec DCR (Ω ±15 %)	
A	4.0
B	4.0

Product Dimensions



Electrical Schematic



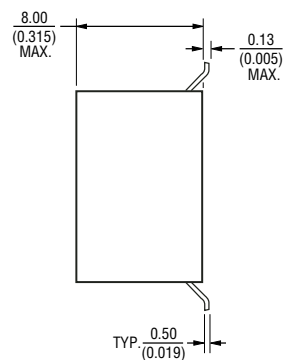
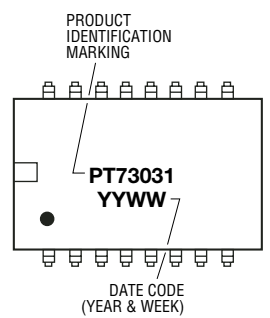
Environmental Characteristics

Operating Temperature (°C)	0 to +85
Storage Temperature (°C)	-55 to +125
Flammability	UL94V-0
Solder Method	IR Reflow 230 °C max. 10 seconds

Packaging Specifications

Tube	24 pcs./tube
------------	--------------

Typical Part Marking



How to Order

PT73031

Model _____

Termination _____

Blank = Tin-lead
L = Tin only (lead free)

DIMENSIONS ARE: $\frac{\text{MM}}{\text{(INCHES)}}$

TOLERANCE: $\pm \frac{0.25}{(.010)}$

03/05
 *RoHS Directive 2002/95/EC Jan 27 2003 including Annex
 Specifications are subject to change without notice.
 Customers should verify actual device performance in their specific applications.