

Features

- Designed for isolation between line card and terminal
- Meets the CCITT 1.430 when chip pairs and transformers are used
- 4000 VAC HIPOT PRI/SEC in conformance with international safety standards

- Low leakage inductance
- Weight - 4 g
- 60 dB min. longitudinal balance 10 kHz to 300 kHz
- Operating temperature 0 °C to +70 °C
- Lead free version available (see How to Order)
- Lead free versions are RoHS compliant*

PT731 Series - ISDN S Interface Isolation Transformer

Electrical Specifications @ 25 °C

Part Number	Turns Ratio (±2 %)	Primary Inductance (mH min.)	Primary Leakage Inductance (µH max.)	Pri/Sec Cw/w (pf max.)	Pri DCR (Ω±15 %)	Sec DCR (Ω±15 %)	Schematic
PT73173	1:1	28	12	120	2.4	2.4	A
PT73434	1:25	28	12	60	3.0	15.0*	B

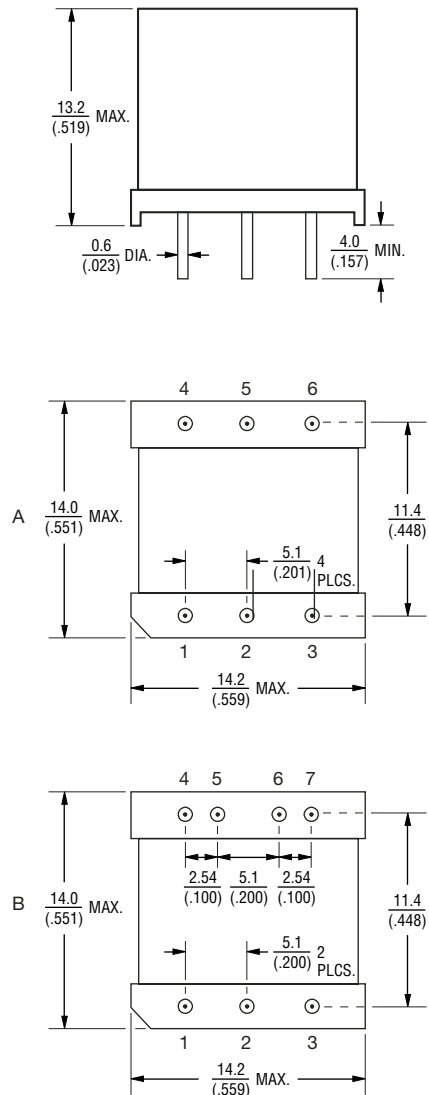
*Split windings in series

Packaging Specifications

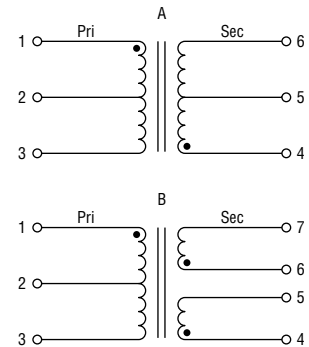
PT7317350 pcs./tray,
500 pcs./carton

PT7343438 pcs./tube

Product Dimensions



Electrical Schematic



DIMENSIONS ARE: $\frac{\text{MM}}{\text{(INCHES)}}$

How to Order

Model PT73xxx

Termination _____

Blank = Tin-lead
L = Tin only (lead free)