

### Features

- Surface mount packaging
- HIPOT 1500 VAC
- Small design
- Lead free version available (see How to Order)
- Lead free versions are RoHS compliant\*

### Applications

- Telecom

## PT74263N - T1/CEPT/ISDN-PRI Transformer

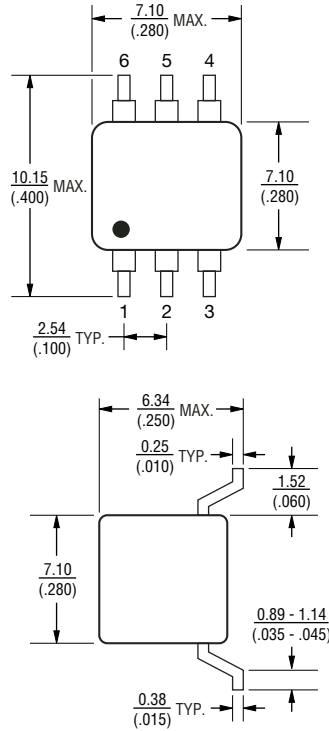
#### Electrical Specifications @ 25 °C

Turns Ratio ±2 %	
(1-3):(6-5):(5-4)	1:1:0.266
Inductance (mH min.)	
(1-3)	1.2
Leakage Inductance (µH max.)	
(1-3), Short (6-4)	0.51
C <sub>ww</sub> (pF max)	
(1-3) to (6-4)	0.35
DCR (Ω max.)	
(1-3)	0.6
DCR (Ω max.)	
(6-4)	0.8
HIPOT (VAC)	
(1-3) to (6-4)	1500
Return Loss (1-3)	
Input impedance (1-3) = 75 Ω	
Output impedance (6-4) = 120 Ω	
51-102 kHz	12 dB min.
102-2046 kHz	18 dB min.
2048-3072 kHz	14 dB min.
Operating Temperature (°C)	0 to +70

#### Packaging Specifications

Tape and Reel.....500 pcs./reel

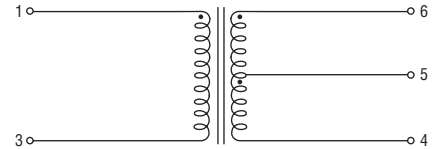
#### Product Dimensions



DIMENSIONS ARE:  $\frac{\text{MM}}{\text{(INCHES)}}$

TOLERANCE: ±  $\frac{0.25}{(.010)}$

#### Electrical Schematic



#### How to Order

**PT74263N**

Model \_\_\_\_\_

Termination \_\_\_\_\_

Blank = Tin-lead

L = Tin only (lead free)