

**Thermally-Enhanced High Power RF LDMOS FETs**  
**240 W, 2110 – 2170 MHz**

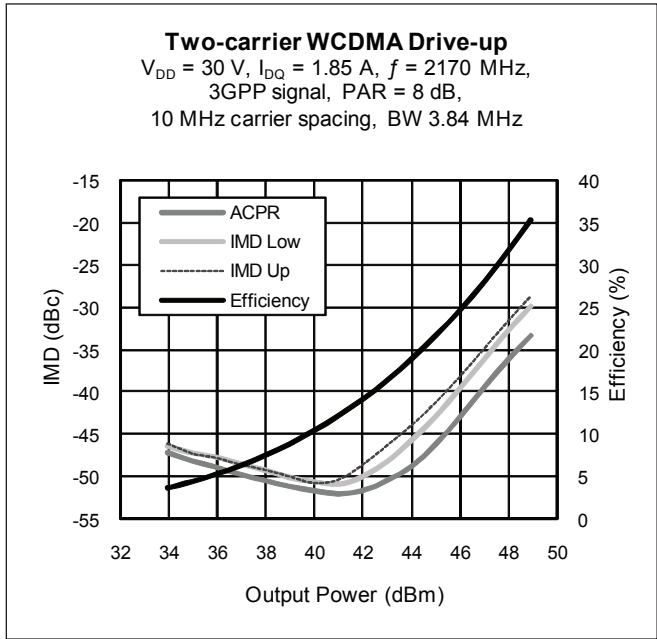
**Description**

The PTFB212503EL and PTFB212503FL are 240-watt LDMOS FETs intended for use in multi-standard cellular power amplifier applications in the 2110 to 2170 MHz frequency band. Features include input and output matching, high gain, wide signal bandwidth and reduced memory effects for unparallemled DPD correctability. Manufactured with Infineon's advanced LDMOS process, these devices provide excellent thermal performance and superior reliability.

PTFB212503EL  
 Package H-33288-6



PTFB212503FL  
 Package H-34288-4/2



**Features**

- Broadband internal input and output matching
- Enhanced for use in DPD error correction systems
- Wide video bandwidth
- Typical single-carrier WCDMA performance at 2170 MHz,  $30\text{ V}$ ,  $I_{DQ} = 1.85\text{ A}$ , 3GPP signal, channel bandwidth = 3.84 MHz, PAR = 7.5 dB @ 0.01% CCDF
  - Average output power = 49.4 dBm
  - Linear gain = 18 dB
  - Efficiency = 37%
  - Intermodulation distortion = -33 dBc
- Typical CW performance, 2170 MHz,  $30\text{ V}$ 
  - Output power at  $P_{1dB}$  = 240 W
  - Efficiency = 54 %
- Increased negative gate-source voltage range for improved performance in Doherty peaking amplifiers
- Integrated ESD protection: Human Body Model, Class 2 (minimum)
- Capable of handling 10:1 VSWR @  $30\text{ V}$ , 240 W (CW) output power
- Pb-free, RoHS-compliant

**RF Characteristics**

**Two-carrier WCDMA Specifications** (not subject to production test—verified by design/characterization in Infineon test fixture)

$V_{DD} = 30\text{ V}$ ,  $I_{DQ} = 1.85\text{ A}$ ,  $P_{OUT} = 55\text{ W}$  average,  $f_1 = 2160\text{ MHz}$ ,  $f_2 = 2170\text{ MHz}$ , 3GPP signal, channel bandwidth = 3.84 MHz, peak/average = 8 dB @ 0.01% CCDF

Characteristic	Symbol	Min	Typ	Max	Unit
Gain	$G_{ps}$	—	18.0	—	dB
Drain Efficiency	$\eta_D$	—	31	—	%
Intermodulation Distortion	IMD	—	-33	—	dBc

*All published data at  $T_{CASE} = 25^\circ\text{C}$  unless otherwise indicated*

**ESD: Electrostatic discharge sensitive device—observe handling precautions!**

## RF Characteristics (cont.)

### Two-tone Specifications (tested in Infineon test fixture)

$V_{DD} = 30\text{ V}$ ,  $I_{DQ} = 1.85\text{ A}$ ,  $P_{OUT} = 200\text{ W PEP}$ ,  $f = 2170\text{ MHz}$ , tone spacing = 1 MHz

Characteristic	Symbol	Min	Typ	Max	Unit
Gain	$G_{ps}$	17	18	—	dB
Drain Efficiency	$\eta_D$	39	40	—	%
Intermodulation Distortion	IMD	—	-30	-28	dBc

## DC Characteristics

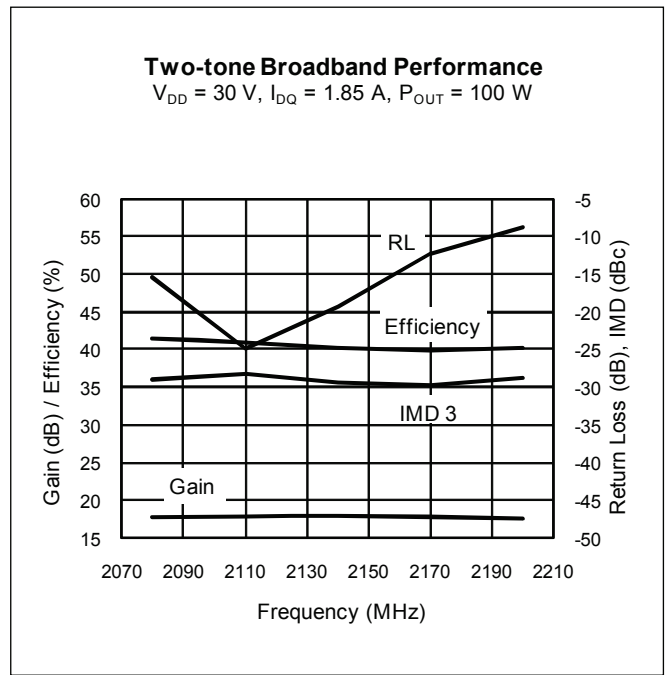
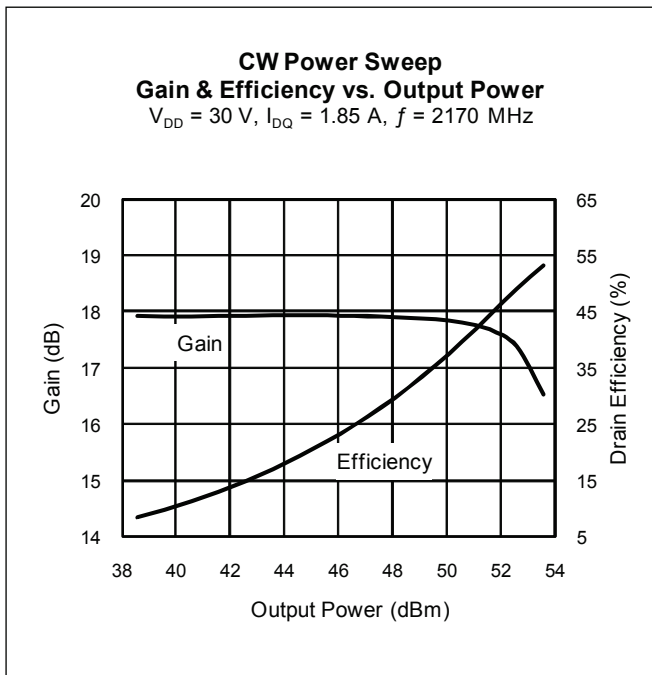
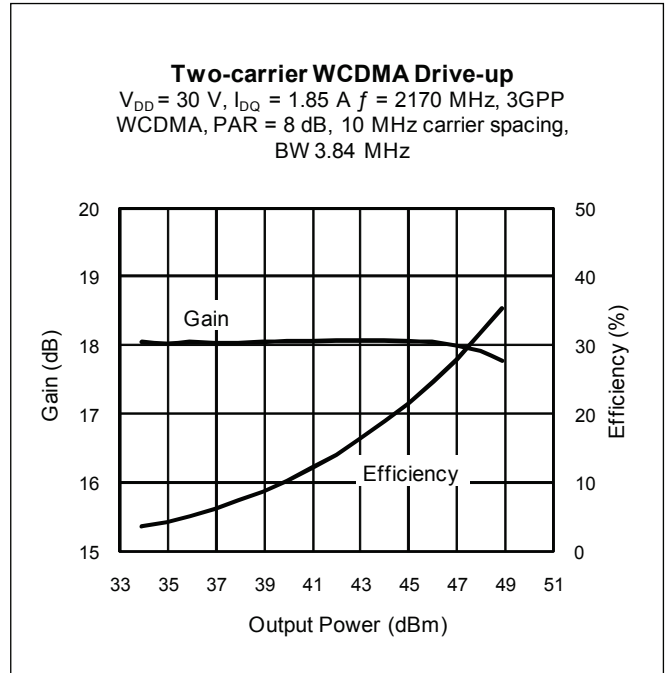
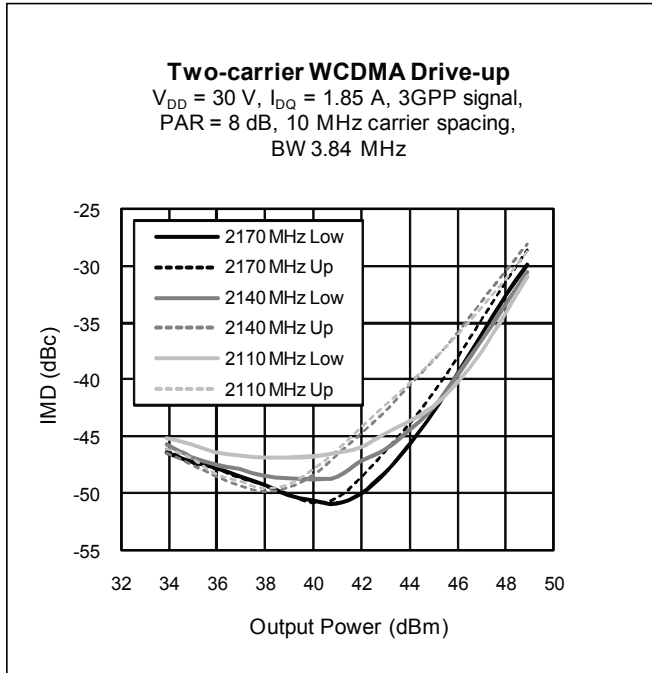
Characteristic	Conditions	Symbol	Min	Typ	Max	Unit
Drain-Source Breakdown Voltage	$V_{GS} = 0\text{ V}$ , $I_{DS} = 10\text{ mA}$	$V_{(BR)DSS}$	65	—	—	V
Drain Leakage Current	$V_{DS} = 28\text{ V}$ , $V_{GS} = 0\text{ V}$	$I_{DSS}$	—	—	1.0	$\mu\text{A}$
Drain Leakage Current	$V_{DS} = 63\text{ V}$ , $V_{GS} = 0\text{ V}$	$I_{DSS}$	—	—	10.0	$\mu\text{A}$
On-State Resistance	$V_{GS} = 10\text{ V}$ , $V_{DS} = 0.1\text{ V}$	$R_{DS(on)}$	—	0.05	—	$\Omega$
Operating Gate Voltage	$V_{DS} = 30\text{ V}$ , $I_{DQ} = 1.85\text{ A}$	$V_{GS}$	2.3	2.8	3.3	V
Gate Leakage Current	$V_{GS} = 10\text{ V}$ , $V_{DS} = 0\text{ V}$	$I_{GSS}$	—	—	1.0	$\mu\text{A}$

## Maximum Ratings

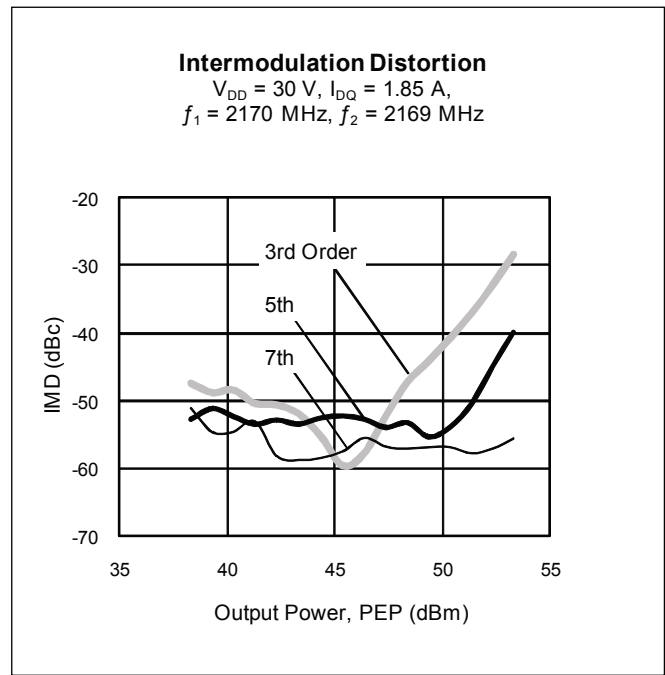
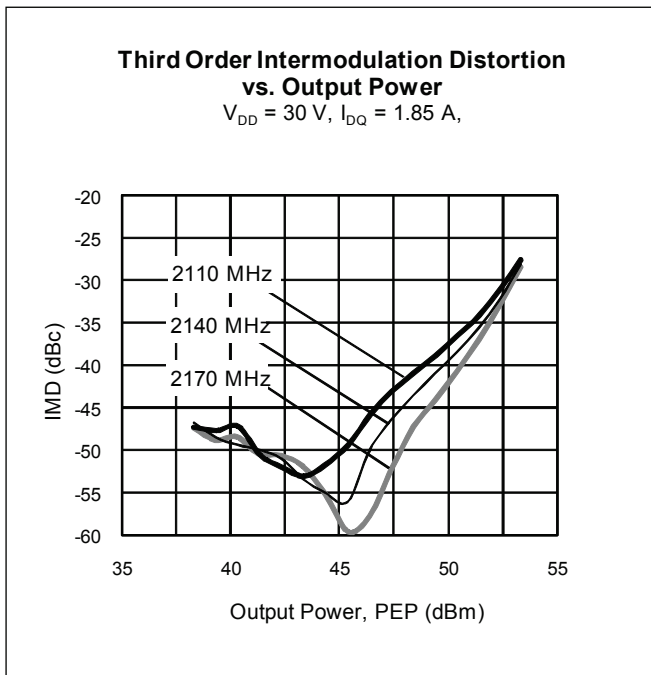
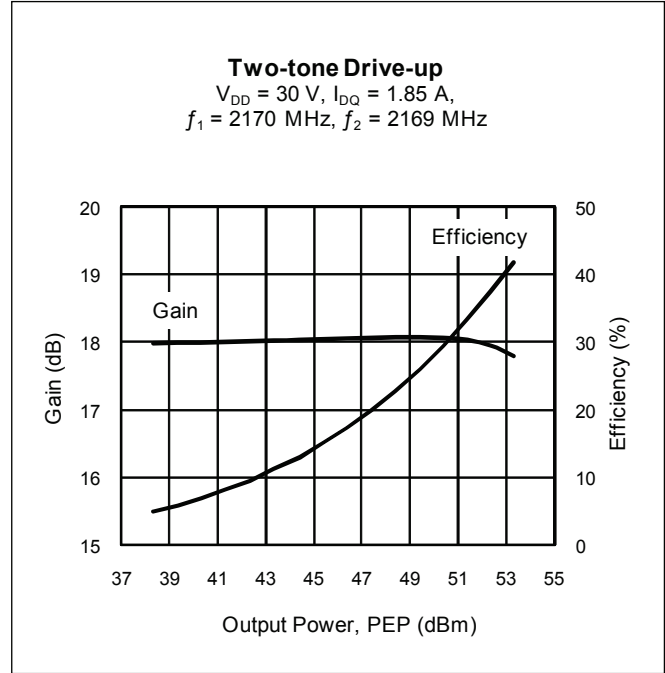
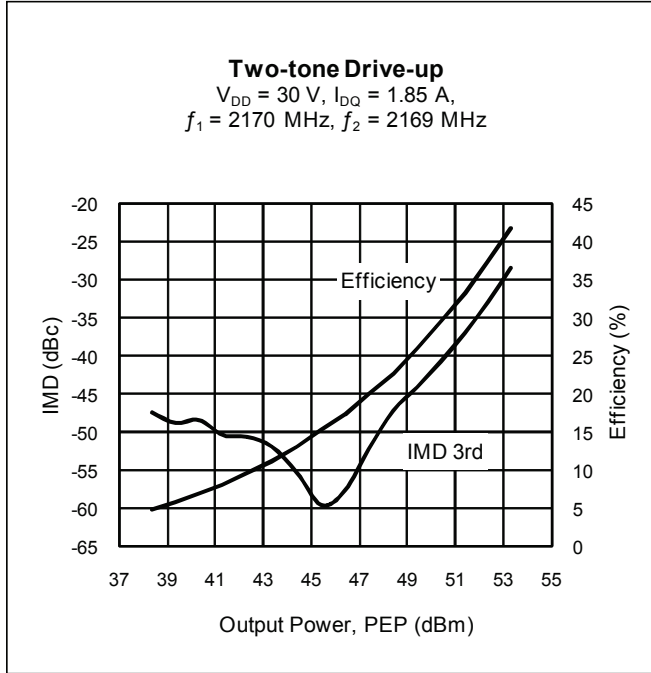
Parameter	Symbol	Value	Unit
Drain-Source Voltage	$V_{DSS}$	65	V
Gate-Source Voltage	$V_{GS}$	-6 to +10	V
Junction Temperature	$T_J$	200	$^{\circ}\text{C}$
Storage Temperature Range	$T_{STG}$	-40 to +150	$^{\circ}\text{C}$
Thermal Resistance ( $T_{CASE} = 70^{\circ}\text{C}$ , 200 W CW)	$R_{\theta JC}$	0.26	$^{\circ}\text{C}/\text{W}$

## Ordering Information

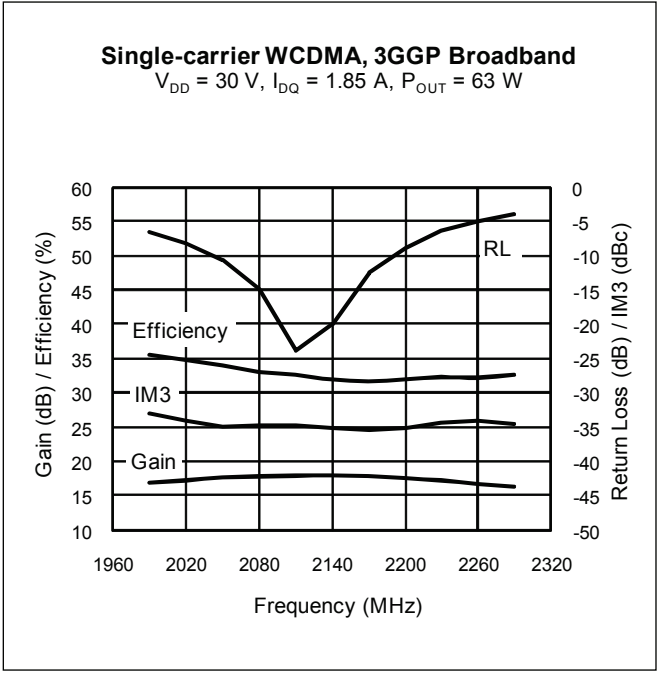
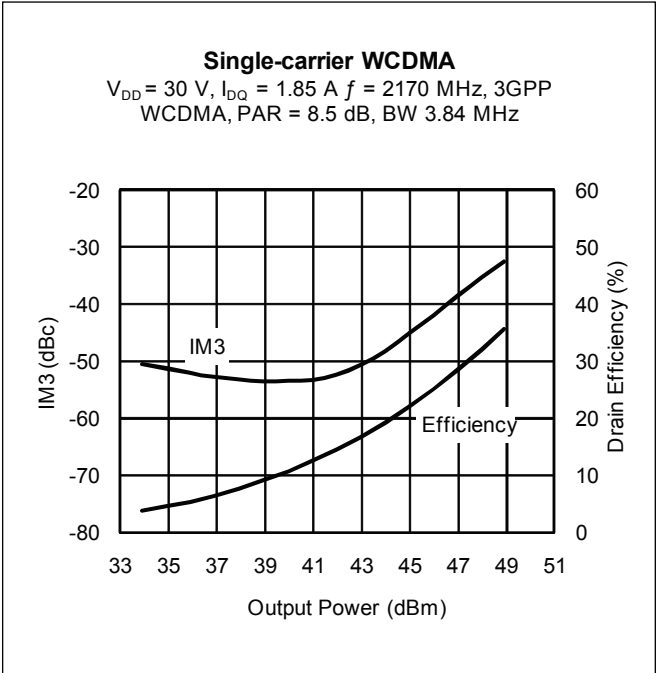
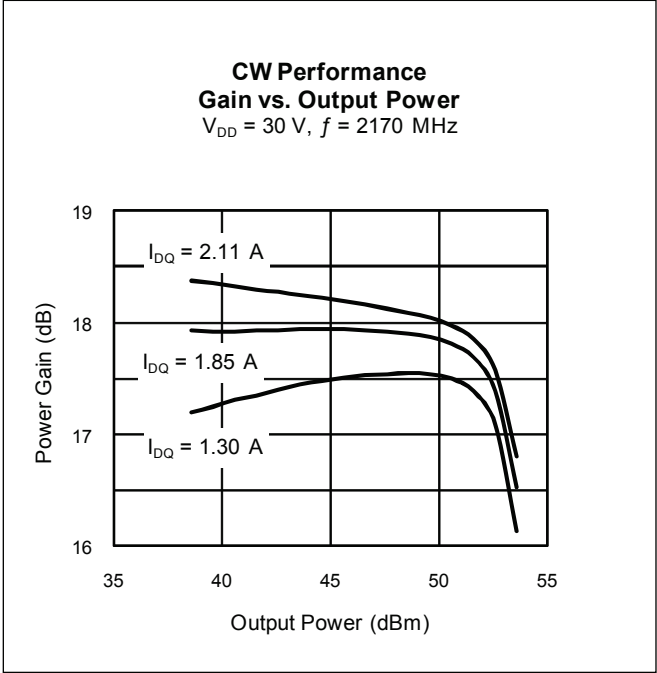
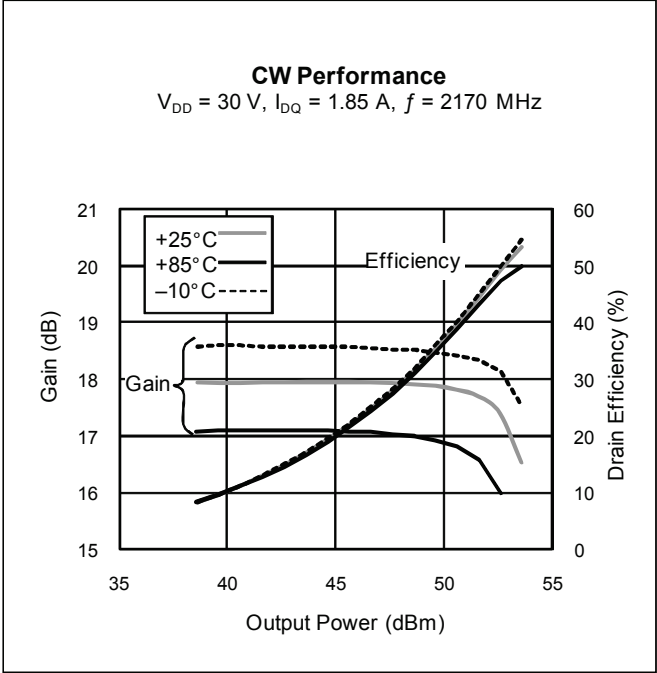
Type and Version	Order Code	Package Description	Shipping
PTFB212503EL V1 R0	PTFB212503ELV1R0XTMA1	H-33288-6, bolt-down	Tape & Reel, 50 pcs
PTFB212503EL V1 R250	PTFB212503ELV1R250XTMA1	H-33288-6, bolt-down	Tape & Reel, 250 pcs
PTFB212503FL V2 R0	PTFB212503FLV2R0XTMA1	H-34288-4/2, earless flange	Tape & Reel, 50 pcs
PTFB212503FL V2 R250	PTFB212503FLV2R250XTMA1	H-34288-4/2, earless flange	Tape & Reel, 250 pcs

**Typical Performance** (data taken in a production test fixture)

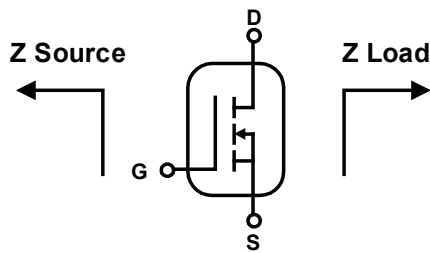
### Typical Performance (cont.)



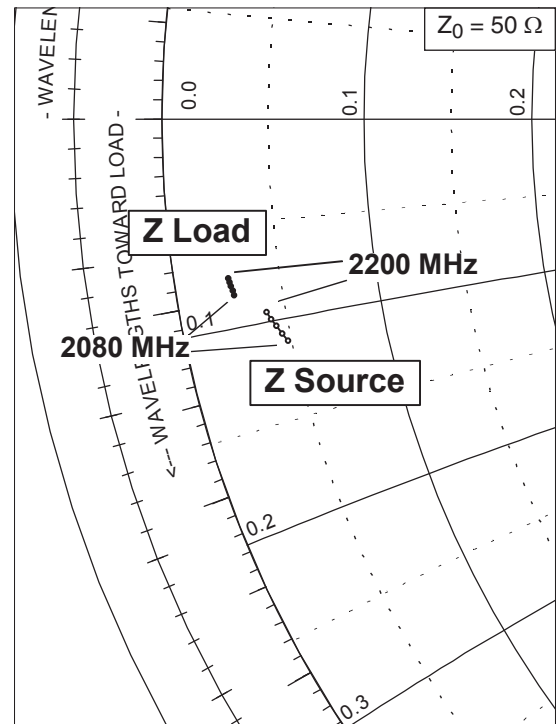
Typical Performance (cont.)



### Broadband Circuit Impedance

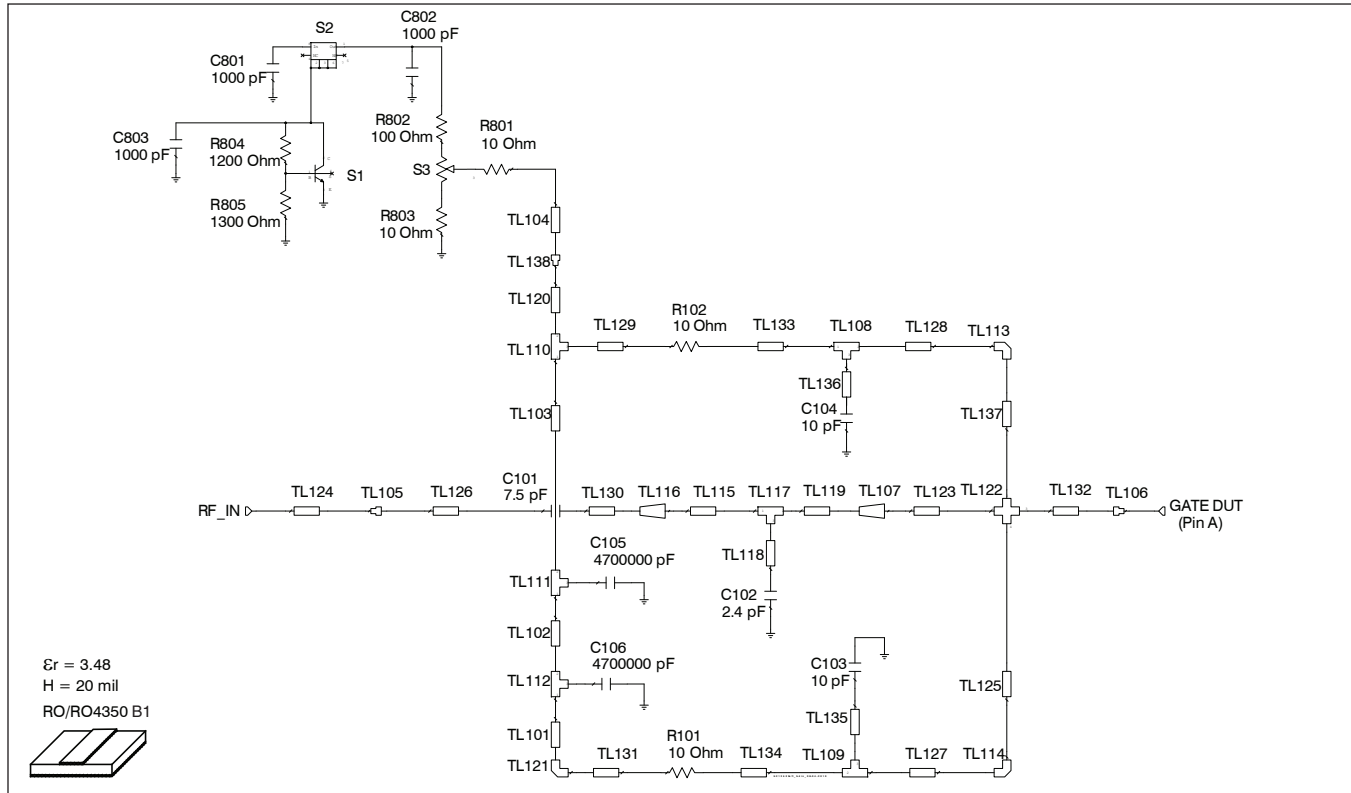


Frequency MHz	Z Source $\Omega$		Z Load $\Omega$	
	R	jX	R	jX
2080	2.42	-5.57	1.34	-4.23
2110	2.31	-5.36	1.32	-4.12
2140	2.21	-5.15	1.29	-4.01
2170	2.12	-4.96	1.27	-3.91
2200	2.04	-4.77	1.25	-3.81

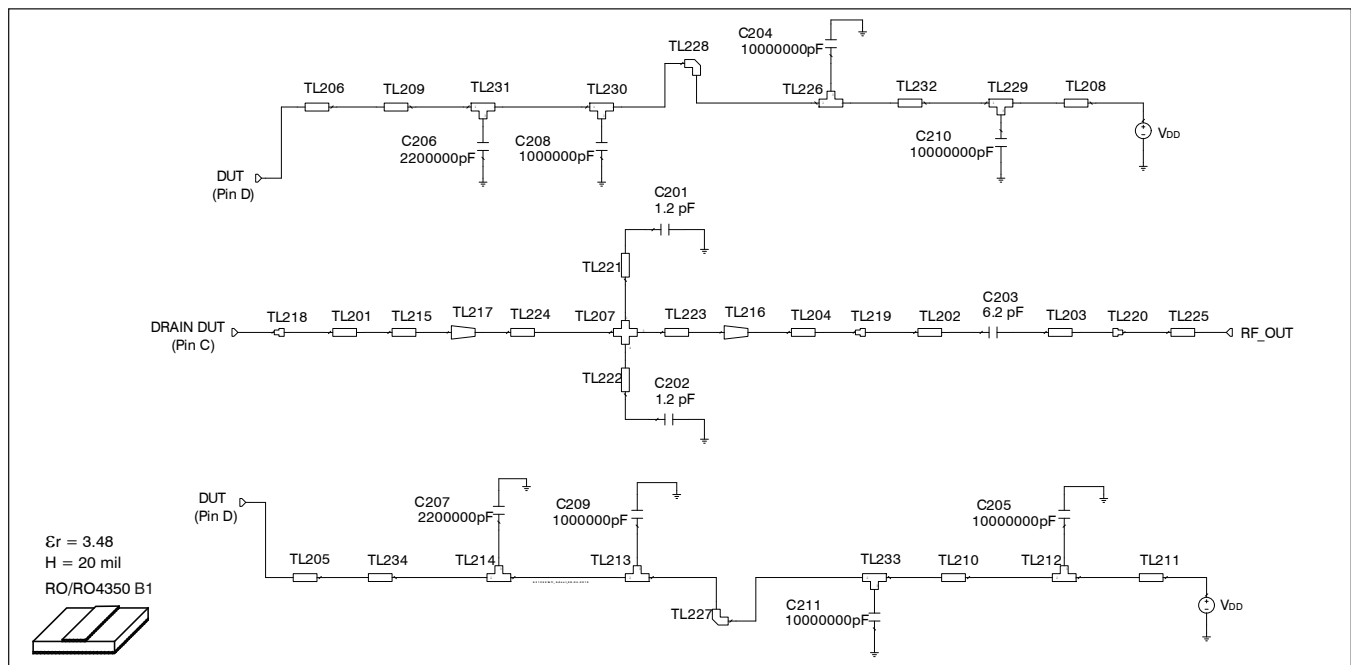


See next page for reference circuit information

**Reference Circuit**



*Reference circuit input schematic for  $f = 2170 \text{ MHz}$*



*Reference circuit output schematic for  $f = 2170 \text{ MHz}$*

## Reference Circuit (cont.)

Description	
DUT	PTFB212503EL or PTFB212503FL
PCB	0.508 mm [.020"] thick, $\epsilon_r = 3.48$ , Rogers 4350, 1 oz. copper

### Electrical Characteristics at 2170 MHz

Transmission Line	Electrical Characteristics	Dimensions: mm	Dimensions: mils
<b>Input</b>			
TL101	0.043 $\lambda$ , 54.17 $\Omega$	W = 1.016, L = 3.594	W = 40, L = 142
TL102	0.107 $\lambda$ , 63.89 $\Omega$	W = 0.762, L = 9.050	W = 30, L = 356
TL103	0.044 $\lambda$ , 63.89 $\Omega$	W = 0.762, L = 3.734	W = 30, L = 147
TL104	0.031 $\lambda$ , 34.72 $\Omega$	W = 1.981, L = 2.540	W = 78, L = 100
TL105		W1 = 1.270, W2 = 2.286	W1 = 50, W2 = 90
TL106		W1 = 17.780, W2 = 12.700	W1 = 700, W2 = 500
TL107 (taper)	0.027 $\lambda$ , 6.67 $\Omega$ / 15.80 $\Omega$	W1 = 13.970, W2 = 5.334, L = 2.032	W1 = 550, W2 = 210, L = 80
TL108, TL109	0.012 $\lambda$ , 54.17 $\Omega$	W1 = 1.016, W2 = 1.016, W3 = 1.016	W1 = 40, W2 = 40, W3 = 40
TL110	0.012 $\lambda$ , 54.17 $\Omega$	W1 = 1.016, W2 = 1.270, W3 = 1.016	W1 = 40, W2 = 50, W3 = 40
TL111, TL112	0.012 $\lambda$ , 63.89 $\Omega$	W1 = 0.762, W2 = 0.762, W3 = 1.016	W1 = 30, W2 = 30, W3 = 40
TL113, TL114, TL121		W = 1.016	W = 40
TL115	0.000 $\lambda$ , 15.80 $\Omega$	W = 5.334, L = 0.000	W = 210, L = 0
TL116 (taper)	0.013 $\lambda$ , 15.80 $\Omega$ / 47.12 $\Omega$	W1 = 5.334, W2 = 1.270, L = 0.991	W1 = 210, W2 = 50, L = 39
TL117	0.000 $\lambda$ , 15.80 $\Omega$	W1 = 5.334, W2 = 5.334, W3 = 0.025	W1 = 210, W2 = 210, W3 = 1
TL118	0.000 $\lambda$ , 144.35 $\Omega$	W = 0.025, L = 0.025	W = 1, L = 1
TL119	0.000 $\lambda$ , 15.80 $\Omega$	W = 5.334, L = 0.000	W = 210, L = 0
TL120	0.018 $\lambda$ , 54.17 $\Omega$	W = 1.016, L = 1.524	W = 40, L = 60
TL122		W1 = 13.970, W2 = 1.016, W3 = 13.970 W4 = 1.016	W1 = 550, W2 = 40, W3 = 550, W4 = 40
TL123	0.005 $\lambda$ , 6.67 $\Omega$	W = 13.970, L = 0.381	W = 550, L = 15
TL124	0.032 $\lambda$ , 47.12 $\Omega$	W = 1.270, L = 2.692	W = 50, L = 106
TL125, TL137	0.026 $\lambda$ , 54.17 $\Omega$	W = 1.016, L = 2.159	W = 40, L = 85
TL126	0.016 $\lambda$ , 31.24 $\Omega$	W = 2.286, L = 1.270	W = 90, L = 50
TL127, TL128	0.095 $\lambda$ , 54.17 $\Omega$	W = 1.016, L = 8.001	W = 40, L = 315
TL129	0.012 $\lambda$ , 54.17 $\Omega$	W = 1.016, L = 1.016	W = 40, L = 40
TL130	0.134 $\lambda$ , 47.12 $\Omega$	W = 1.270, L = 11.151	W = 50, L = 439
TL131	0.012 $\lambda$ , 54.17 $\Omega$	W = 1.016, L = 1.021	W = 40, L = 40
TL132	0.053 $\lambda$ , 6.67 $\Omega$	W = 13.970, L = 4.064	W = 550, L = 160
TL133, TL134	0.030 $\lambda$ , 54.17 $\Omega$	W = 1.016, L = 2.540	W = 40, L = 100
TL135, TL136	0.002 $\lambda$ , 54.17 $\Omega$	W = 1.016, L = 0.127	W = 40, L = 5
TL138		W1 = 1.016, W2 = 1.981	W1 = 40, W2 = 78

table continued on page 9



## Reference Circuit (cont.)

### Electrical Characteristics at 2170 MHz

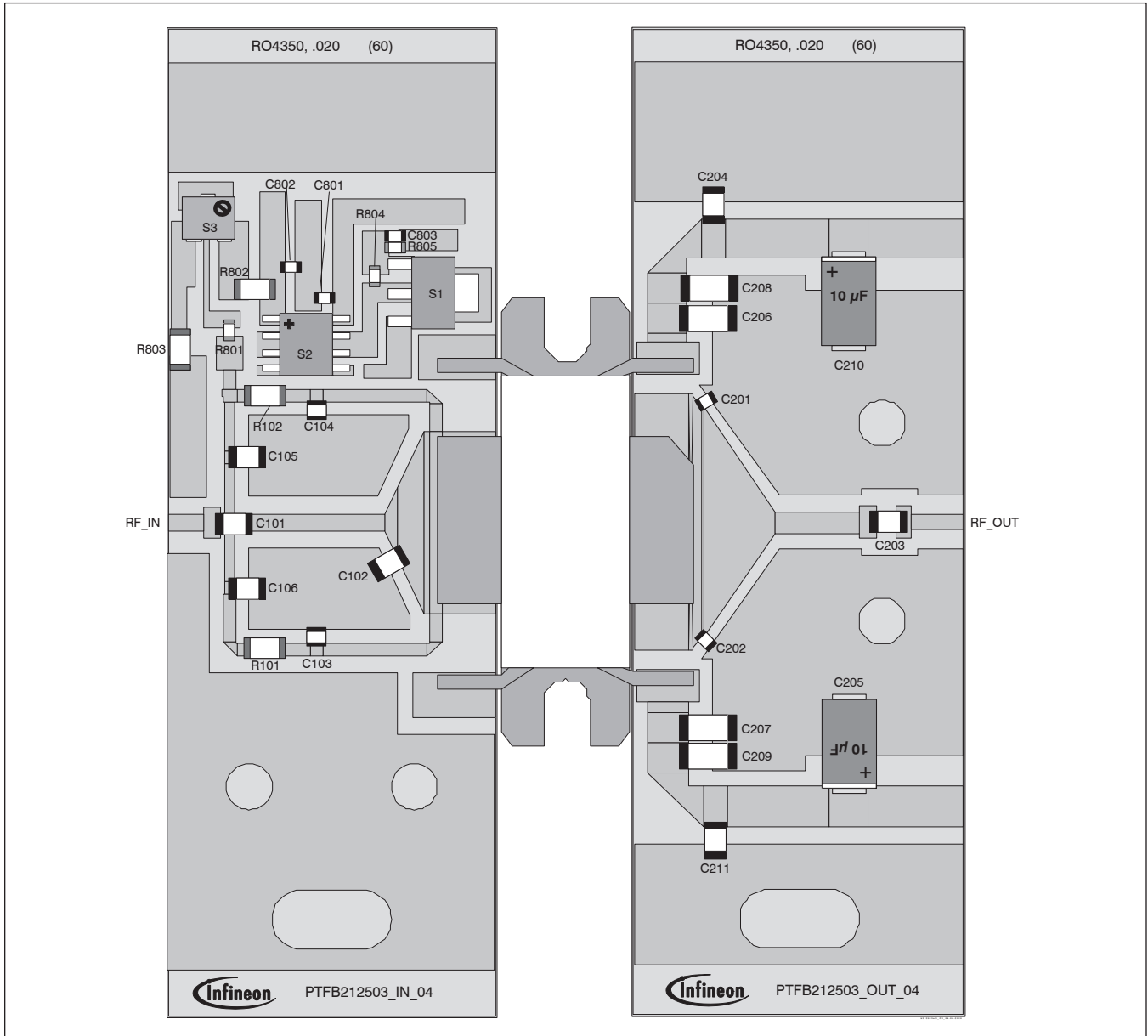
Transmission Line	Electrical Characteristics	Dimensions: mm	Dimensions: mils
<b>Output</b>			
TL201	0.054 $\lambda$ , 4.84 $\Omega$	W = 19.685, L = 4.064	W = 775, L = 160
TL202, TL203	0.016 $\lambda$ , 28.85 $\Omega$	W = 2.540, L = 1.270	W = 100, L = 50
TL204	0.078 $\lambda$ , 39.51 $\Omega$	W = 1.651, L = 6.426	W = 65, L = 253
TL205	0.032 $\lambda$ , 16.90 $\Omega$	W = 4.928, L = 2.540	W = 194, L = 100
TL206	0.032 $\lambda$ , 17.05 $\Omega$	W = 4.877, L = 2.540	W = 192, L = 100
TL207		W1 = 17.780, W2 = 0.025, W3 = 17.780 W4 = 0.025	W1 = 700, W2 = 1, W3 = 700, W4 = 1
TL208, TL211	0.092 $\lambda$ , 25.04 $\Omega$	W = 3.048, L = 7.341	W = 120, L = 289
TL209, TL234	0.010 $\lambda$ , 25.04 $\Omega$	W = 3.048, L = 0.762	W = 120, L = 30
TL210, TL232	0.098 $\lambda$ , 25.04 $\Omega$	W = 3.048, L = 7.823	W = 120, L = 308
TL212, TL229	0.038 $\lambda$ , 25.04 $\Omega$	W1 = 3.048, W2 = 3.048, W3 = 3.048	W1 = 120, W2 = 120, W3 = 120
TL213, TL214, TL230, TL231	0.029 $\lambda$ , 25.04 $\Omega$	W1 = 3.048, W2 = 3.048, W3 = 2.286	W1 = 120, W2 = 120, W3 = 90
TL215	0.003 $\lambda$ , 4.84 $\Omega$	W = 19.685, L = 0.254	W = 775, L = 10
TL216 (taper)	0.074 $\lambda$ , 5.33 $\Omega$ / 39.51 $\Omega$	W1 = 17.780, W2 = 1.651, L = 5.588	W1 = 700, W2 = 65, L = 220
TL217 (taper)	0.010 $\lambda$ , 4.84 $\Omega$ / 5.33 $\Omega$	W1 = 19.685, W2 = 17.780, L = 0.762	W1 = 775, W2 = 700, L = 30
TL218		W1 = 12.700, W2 = 17.780	W1 = 500, W2 = 700
TL219		W1 = 1.651, W2 = 2.540	W1 = 65, W2 = 100
TL220		W1 = 1.270, W2 = 2.540	W1 = 50, W2 = 100
TL221, TL222	0.000 $\lambda$ , 144.35 $\Omega$	W = 0.025, L = 0.025	W = 1, L = 1
TL223, TL224	0.000 $\lambda$ , 5.33 $\Omega$	W = 17.780, L = 0.025	W = 700, L = 1
TL225	0.047 $\lambda$ , 47.12 $\Omega$	W = 1.270, L = 3.912	W = 50, L = 154
TL226, TL233	0.023 $\lambda$ , 25.04 $\Omega$	W1 = 3.048, W2 = 3.048, W3 = 1.829	W1 = 120, W2 = 120, W3 = 72

Reference Circuit (cont.)

Circuit Assembly Information

Test Fixture Part No. LTN/PTFB212503EF

Find Gerber files for this test fixture on the Infineon Web site at <http://www.infineon.com/rfpower>



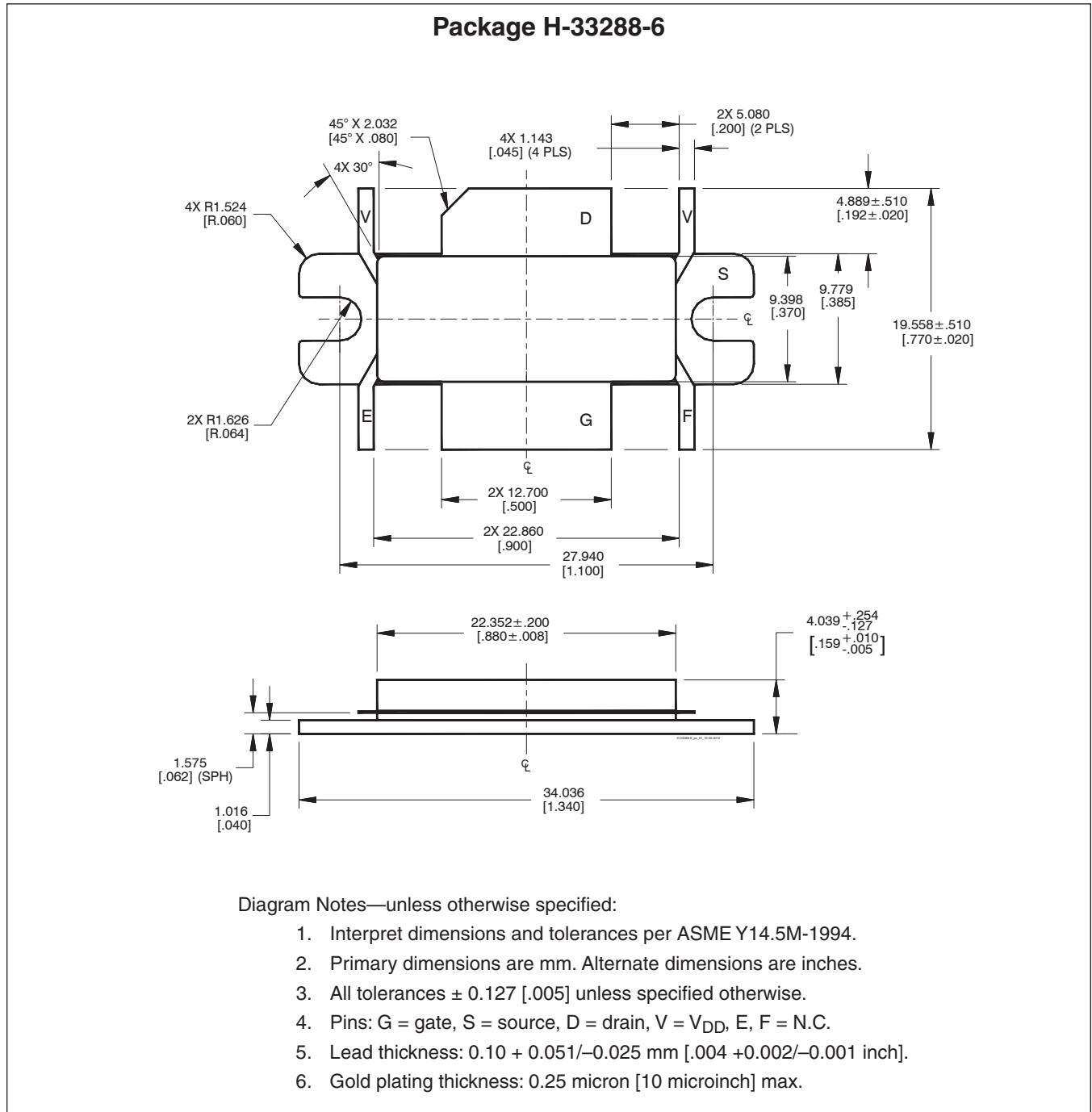
Reference circuit assembly diagram (not to scale)

## Reference Circuit (cont.)

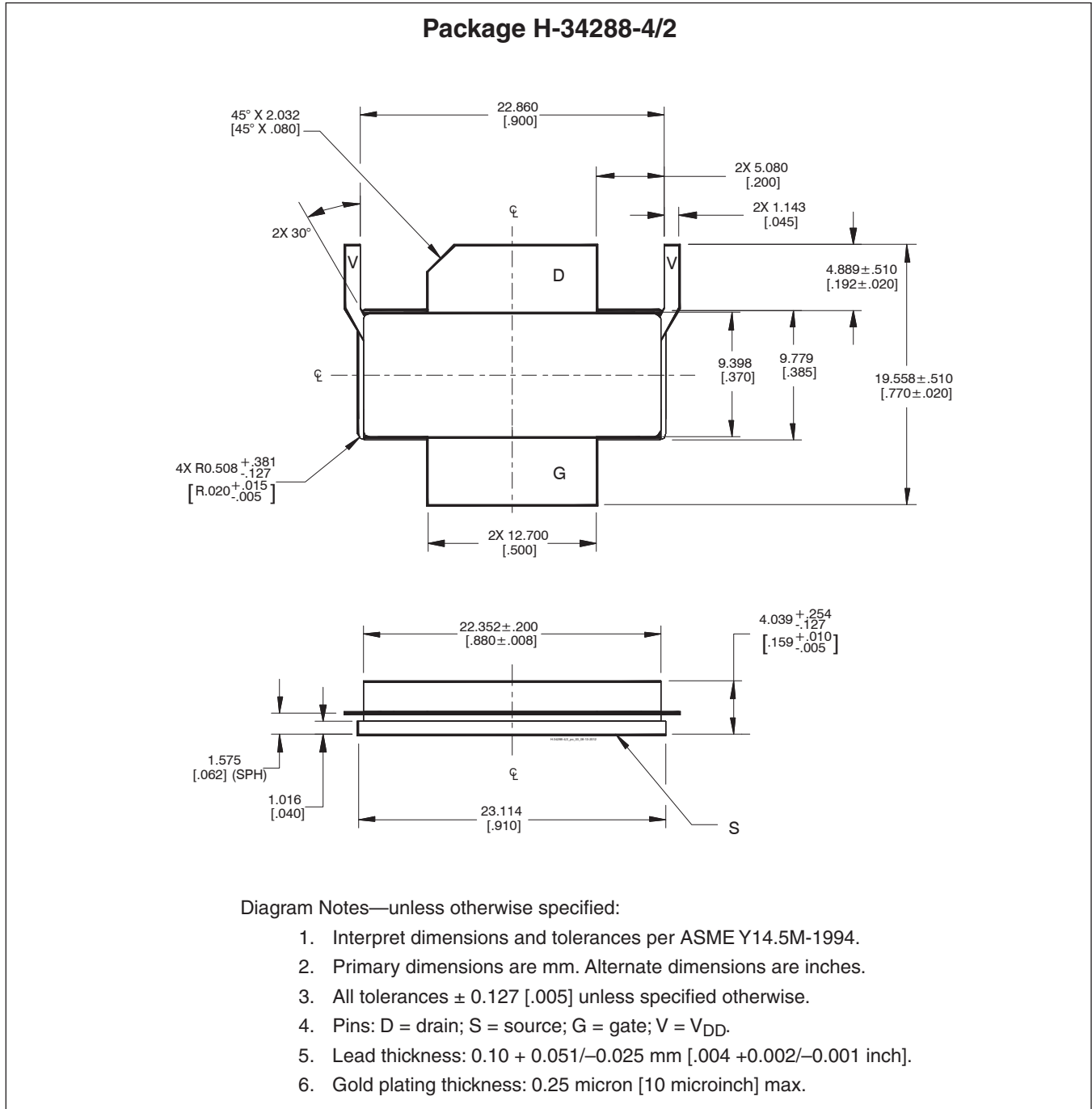
### Components Information

Component	Description	Suggested Manufacturer	P/N
<b>Input</b>			
C101	Chip capacitor, 7.5 pF	ATC	ATC100B7R5BW500XB
C102	Chip capacitor, 2.4 pF	ATC	ATC100B2R4BW500XB
C103, C104	Chip capacitor, 10 pF	ATC	ATC100A100JW500XB
C105, C106	Chip capacitor, 4.7 $\mu$ F	Digi-Key	493-2372-2-ND
C801, C802, C803	Capacitor, 1000 pF	Digi-Key	PCC1772CT-ND
R101, R102, R803	Resistor, 10 $\Omega$	Digi-Key	P10ECT-ND
R801	Resistor, 10 $\Omega$	Digi-Key	P10GCT-ND
R802	Resistor, 100 $\Omega$	Digi-Key	P101ECT-ND
R804	Resistor, 1200 $\Omega$	Digi-Key	P1.2KGCT-ND
R805	Resistor, 1300 $\Omega$	Digi-Key	P1.3KGCT-ND
S1	Transistor	Digi-Key	BCP56
S2	Voltage Regulator	Digi-Key	LM78L05ACM-ND
S3	Potentiometer, 2k $\Omega$	Digi-Key	3224W-202ECT-ND
<b>Output</b>			
C201, C202	Chip capacitor, 1.2 pF	ATC	ATC100A1R2BW500XB
C203	Chip capacitor, 6.2 pF	ATC	ATC100B6R2JW500XB
C204, C211	Capacitor, 10 $\mu$ F	Digi-Key	587-1818-2-ND
C205, C210	Capacitor, 10 $\mu$ F	Garrett Electronics	281M5002106K
C206, C207	Chip capacitor, 2.2 $\mu$ F	Digi-Key	445-1447-2-ND
C208, C209	Chip capacitor, 1 $\mu$ F	Digi-Key	445-1411-2-ND

## Package Outline Specifications



Package Outline Specifications (cont.)



Find the latest and most complete information about products and packaging at the Infineon Internet page  
<http://www.infineon.com/rfpower>

Revision History: 2016-06-15 Data Sheet

Previous Version: 2010-11-04, Data Sheet

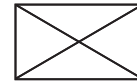
Page	Subjects (major changes since last revision)
2	Updated ordering information

**We Listen to Your Comments**

Any information within this document that you feel is wrong, unclear or missing at all?  
 Your feedback will help us to continuously improve the quality of this document.  
 Please send your proposal (including a reference to this document) to:

[highpowerRF@infineon.com](mailto:highpowerRF@infineon.com)

To request other information, contact us at:  
 +1 877 465 3667 (1-877-GO-LDMOS) USA  
 or +1 408 776 0600 International



Edition 2016-06-15

Published by  
**Infineon Technologies AG**  
 81726 Munich, Germany

© 2009 Infineon Technologies AG  
 All Rights Reserved.

**Legal Disclaimer**

The information given in this document shall in no event be regarded as a guarantee of conditions or characteristics. With respect to any examples or hints given herein, any typical values stated herein and/or any information regarding the application of the device, Infineon Technologies hereby disclaims any and all warranties and liabilities of any kind, including without limitation, warranties of non-infringement of intellectual property rights of any third party.

**Information**

For further information on technology, delivery terms and conditions and prices, please contact the nearest Infineon Technologies Office ([www.infineon.com/rfpower](http://www.infineon.com/rfpower)).

**Warnings**

Due to technical requirements, components may contain dangerous substances. For information on the types in question, please contact the nearest Infineon Technologies Office.

Infineon Technologies components may be used in life-support devices or systems only with the express written approval of Infineon Technologies, if a failure of such components can reasonably be expected to cause the failure of that life-support device or system or to affect the safety or effectiveness of that device or system. Life support devices or systems are intended to be implanted in the human body or to support and/or maintain and sustain and/or protect human life. If they fail, it is reasonable to assume that the health of the user or other persons may be endangered.