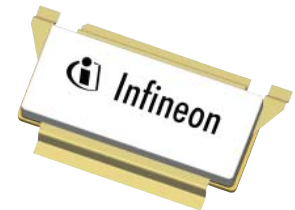


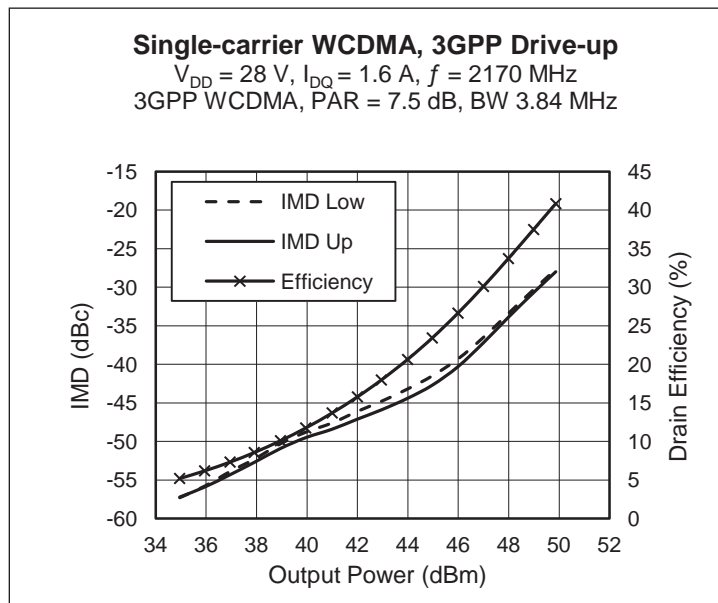
Thermally-Enhanced High Power RF LDMOS FET 200 W, 28 V, 2110 – 2170 MHz

Description

The PTFB212507SH is a 200-watt LDMOS FET intended for use in multi-standard cellular power amplifier applications in the 2110 to 2170 MHz frequency band. Features include input and output matching, high gain and thermally-enhanced package with earless flange. Manufactured with Infineon's advanced LDMOS process, this device provides excellent thermal performance and superior reliability.



PTFB212507SH
Package H-37288G-4/2



Features

- Broadband internal matching
- Wide video bandwidth
- Typical two-carrier WCDMA performance, 2170 MHz, 28 V, 3GPP signal, PAR = 8 dB, 10 MHz carrier spacing
 - Average output power = 40 W
 - Linear gain = 18 dB
 - Efficiency = 27%
 - Intermodulation distortion = -35 dBc
 - Adjacent channel power = -39 dBc
- Typical CW performance, 2170 MHz, 28 V
 - Output power at P_{1dB} = 200 W
 - Efficiency = 52%
 - Gain = 17 dB
- Capable of handling 10:1 VSWR @28 V, 200 W (CW) output power
- Integrated ESD protection
- Low thermal resistance
- Pb-free and RoHS compliant

RF Characteristics

Single-carrier WCDMA Specifications (tested in Infineon test fixture)

$V_{DD} = 30\text{ V}$, $I_{DQ} = 1850\text{ mA}$, $P_{OUT} = 50\text{ W avg}$, $f = 2170\text{ MHz}$. 3GPP signal, 3.84 MHz channel bandwidth, 10 dB peak/average @ 0.01% CCDF

Characteristic	Symbol	Min	Typ	Max	Unit
Linear Gain	G_{ps}	16.75	18	19	dB
Drain Efficiency	η_D	25	27.5	—	%
Adjacent Channel Power Ratio	ACPR	—	-36.5	-32	dBc

All published data at $T_{CASE} = 25^\circ\text{C}$ unless otherwise indicated

ESD: Electrostatic discharge sensitive device—observe handling precautions!

DC Characteristics

Characteristic	Conditions	Symbol	Min	Typ	Max	Unit
Drain-Source Breakdown Voltage	$V_{GS} = 0\text{ V}$, $I_{DS} = 10\text{ mA}$	$V_{(BR)DSS}$	65	—	—	V
Drain Leakage Current	$V_{DS} = 28\text{ V}$, $V_{GS} = 0\text{ V}$	I_{DSS}	—	—	0.1	μA
	$V_{DS} = 63\text{ V}$, $V_{GS} = 0\text{ V}$	I_{DSS}	—	—	1.0	μA
Gate Leakage Current	$V_{GS} = 12\text{ V}$, $V_{DS} = 0\text{ V}$	I_{GSS}	—	—	1	μA
On-State Resistance	$V_{GS} = 10\text{ V}$, $V_{DS} = 0.1\text{ V}$	$R_{DS(on)}$	—	0.05	—	Ω
Operating Gate Voltage	$V_{DS} = 28\text{ V}$, $I_{DQ} = 1.6\text{ A}$	V_{GS}	—	2.85	—	V

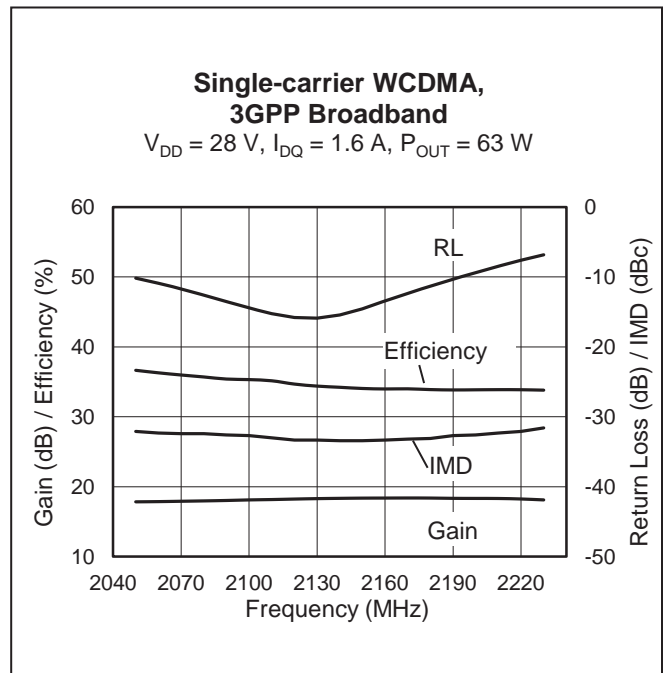
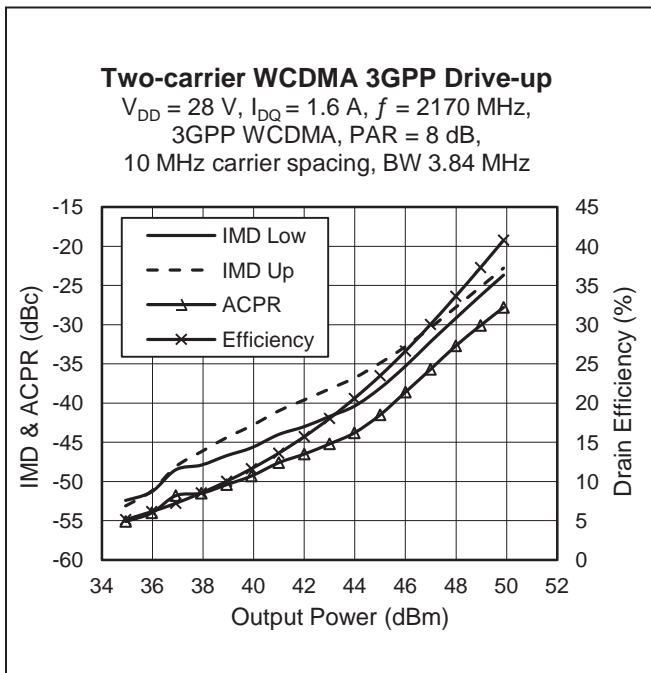
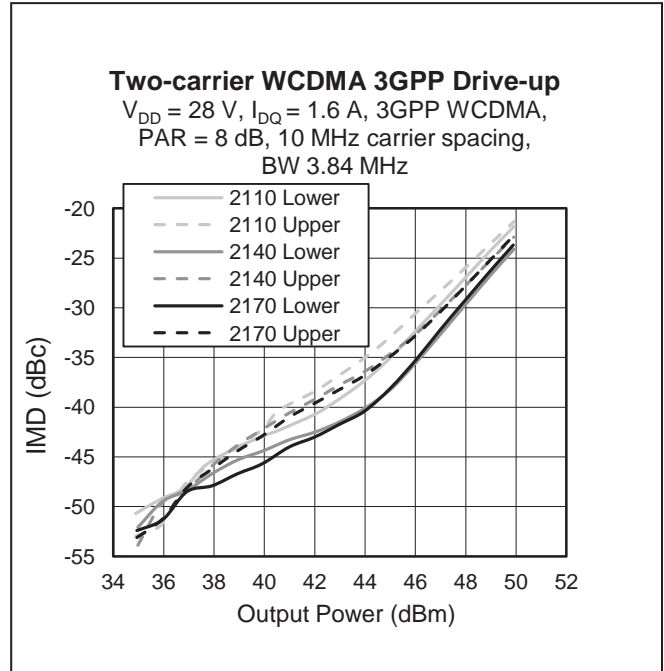
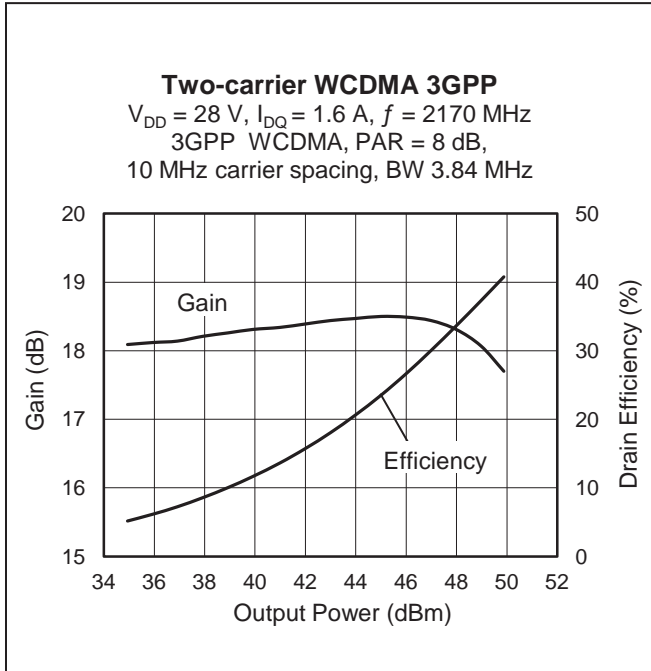
Maximum Ratings

Parameter	Symbol	Value	Unit
Drain-Source Voltage	V_{DSS}	65	V
Gate-Source Voltage	V_{GS}	-6 to +10	V
Junction Temperature	T_J	200	$^{\circ}\text{C}$
Storage Temperature Range	T_{STG}	-40 to +150	$^{\circ}\text{C}$
Thermal Resistance ($T_{CASE} = 70^{\circ}\text{C}$, 30 V V_{DD} , 200 W CW)	$R_{\theta JC}$	0.26	$^{\circ}\text{C/W}$

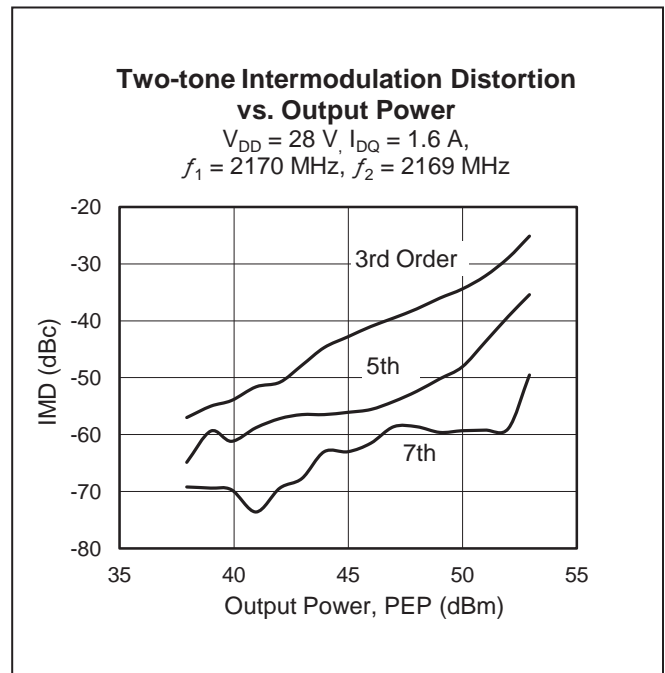
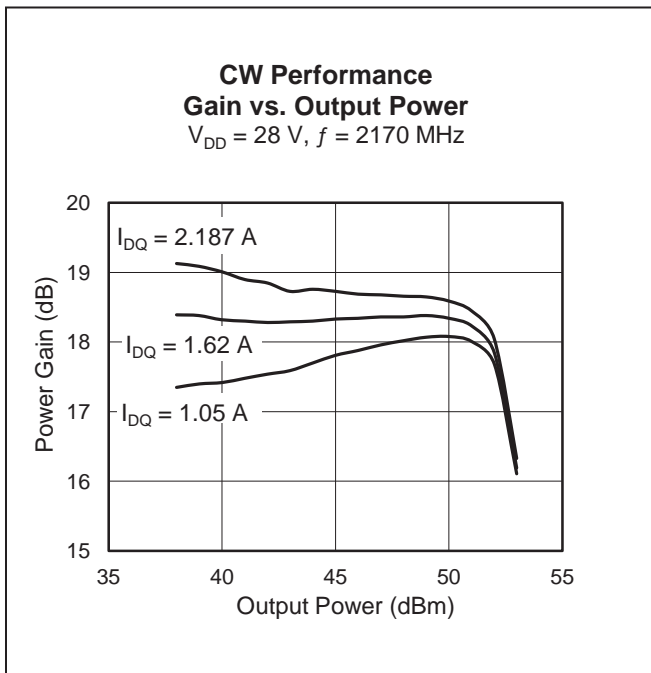
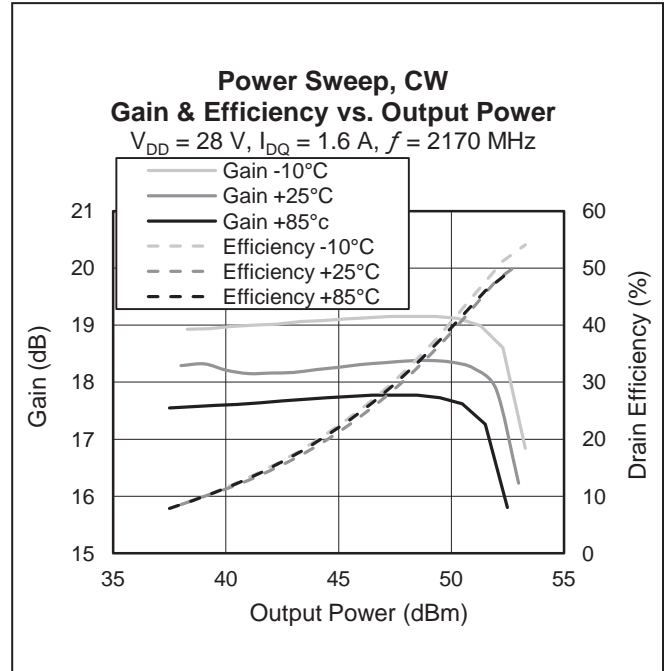
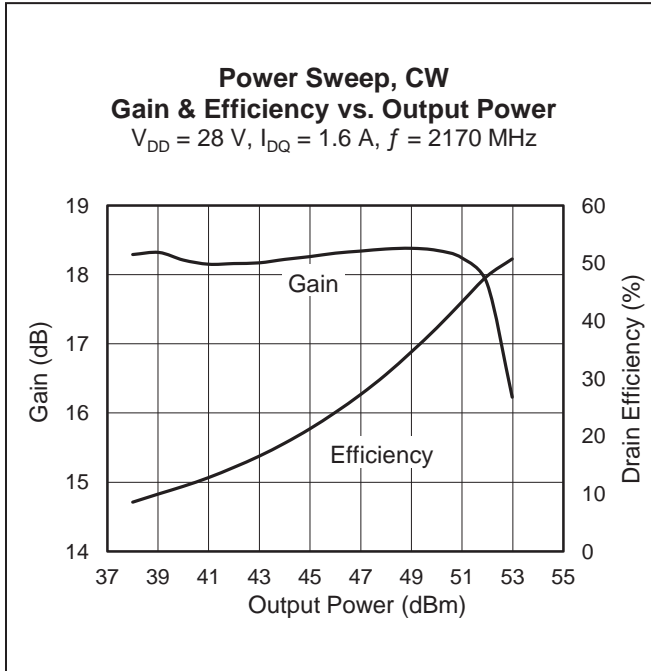
Ordering Information

Type and Version	Order Code	Package and Description	Shipping
PTFB212507SH V2 R2	PTFB212507SHV2R2XTMA1	H-37288G-4/2, ceramic open-cavity, formed leads	Tape & Reel, 250 pcs

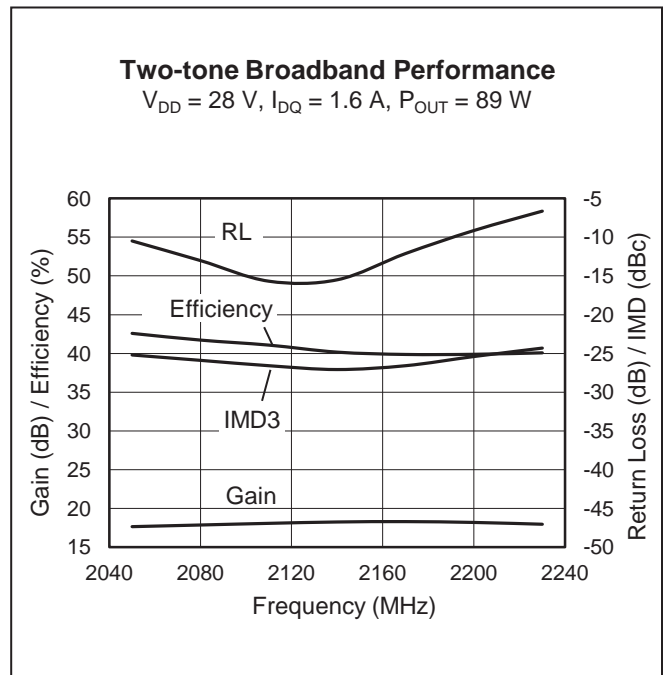
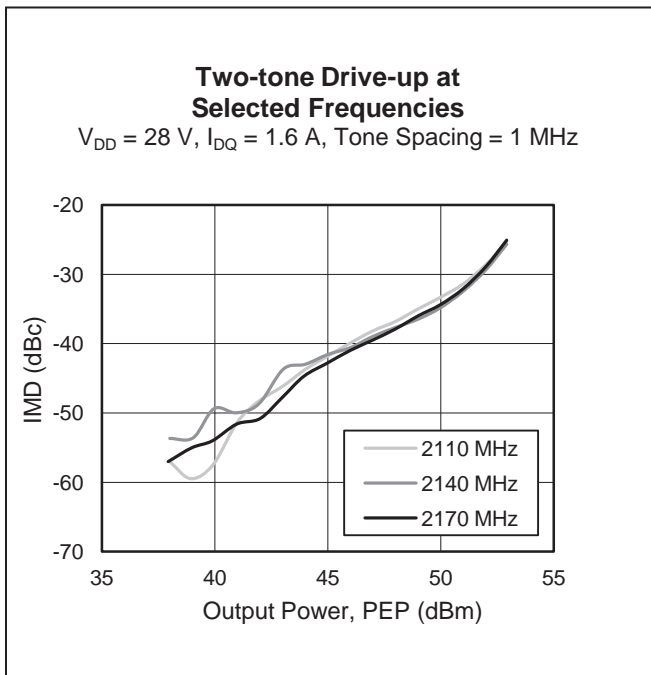
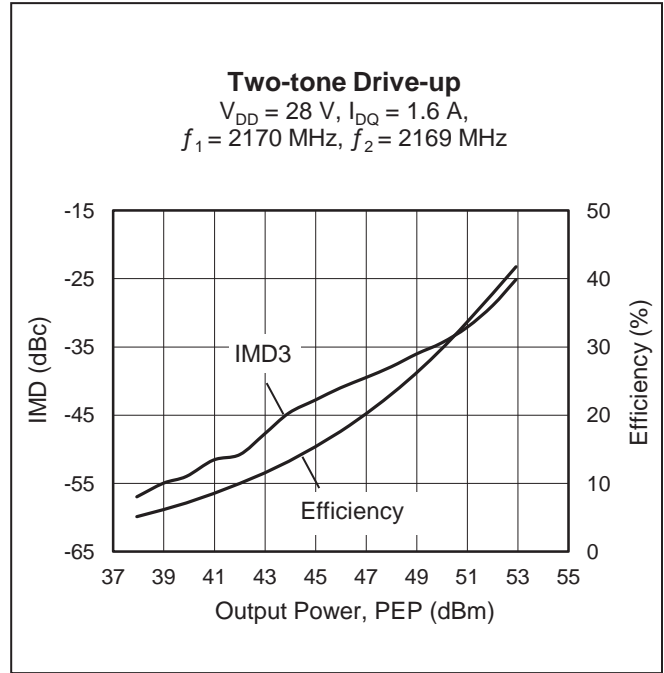
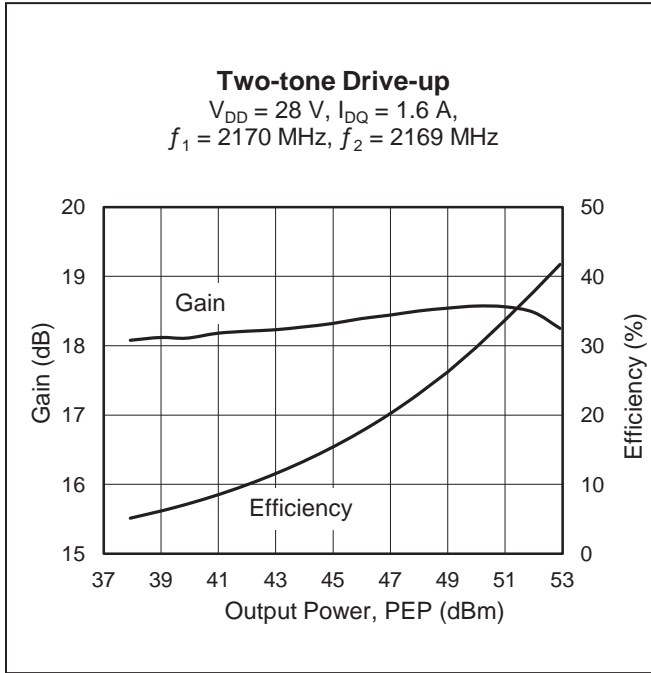
Typical Performance (data taken in a production test fixture)



Typical Performance (cont.)

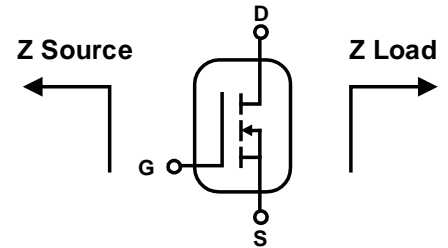


Typical Performance (cont.)



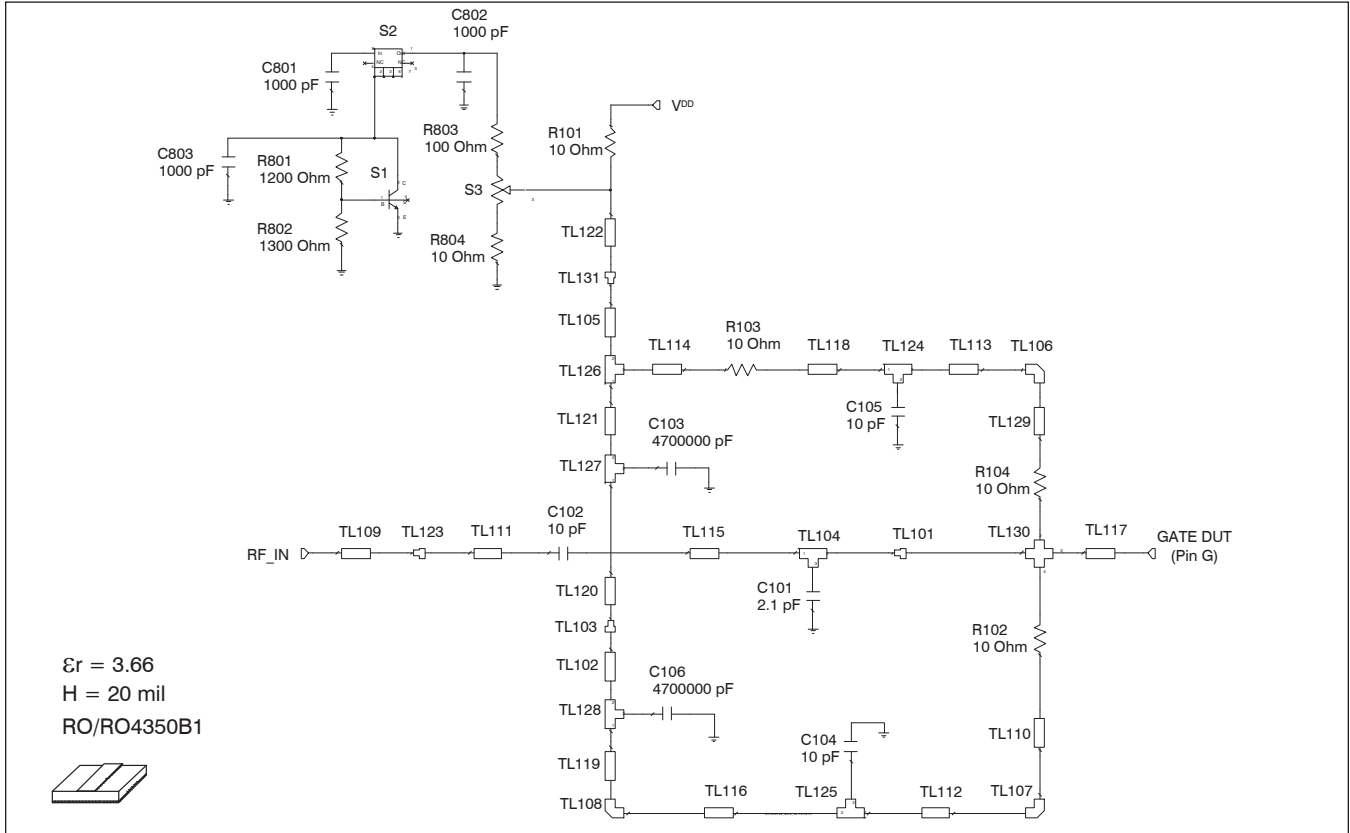
Broadband Circuit Impedance

Frequency	Z Source Ω		Z Load Ω	
	R	jX	R	jX
2080	2.89	-6.50	1.58	-4.39
2110	2.74	-6.29	1.55	-4.29
2140	5.61	-6.09	1.52	-4.20
2170	2.48	-5.89	1.49	-4.11
2200	2.37	-5.70	1.45	-4.02

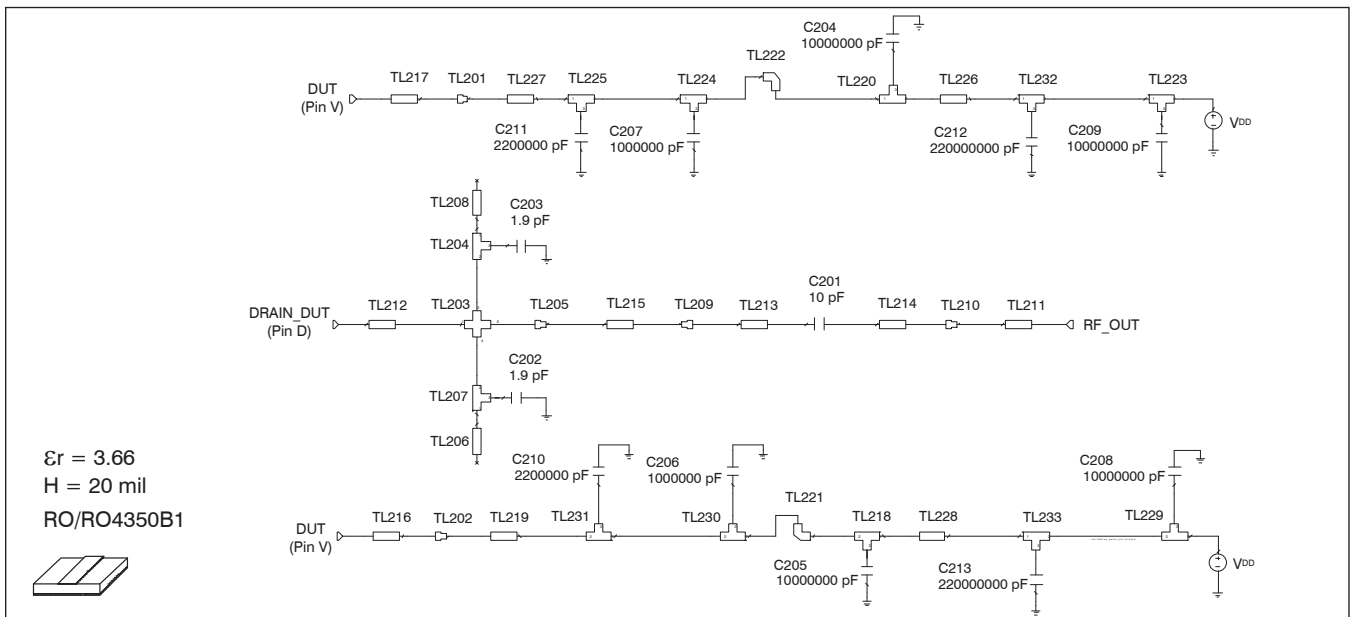


See next page for reference circuit information

Reference Circuit



Reference circuit input schematic for $f = 2170 \text{ MHz}$



Reference circuit output schematic for $f = 2170 \text{ MHz}$

Reference Circuit (cont.)

Reference Circuit Assembly

DUT	PTFB212507SH-V2
Test Fixture Part No.	LTN/PTFB212507SH
PCB	Rogers 4350, 0.508 mm [0.020"] thick, 2 oz. copper, $\epsilon_r = 3.66$

Find Gerber files for this test fixture on the Infineon Web site at <http://www.infineon.com/rfpower>

Electrical Characteristics at 2170 MHz

Transmission Line	Electrical Characteristics	Dimensions: mm	Dimensions: mils
Input			
TL101		W1 = 19.050, W2 = 1.270	W1 = 750, W2 = 50
TL102	0.017 λ , 54.17 Ω	W = 1.016, L = 1.448	W = 40, L = 57
TL103		W1 = 0.762, W2 = 1.016	W1 = 30, W2 = 40
TL104	0.015 λ , 47.12 Ω	W1 = 1.270, W2 = 1.270, W3 = 1.270	W1 = 50, W2 = 50, W3 = 50
TL105	0.018 λ , 54.17 Ω	W = 1.016, L = 1.524	W = 40, L = 60
TL106, TL107, TL108		W = 1.016,	W = 40
TL109	0.032 λ , 47.12 Ω	W = 1.270, L = 2.652	W = 50, L = 104
TL110, TL129	0.014 λ , 54.17 Ω	W = 1.016, L = 1.143	W = 40, L = 45
TL111	0.016 λ , 31.24 Ω	W = 2.286, L = 1.270	W = 90, L = 50
TL112, TL113	0.095 λ , 54.17 Ω	W = 1.016, L = 8.001	W = 40, L = 315
TL114	0.015 λ , 54.17 Ω	W = 1.016, L = 1.270	W = 40, L = 50
TL115	0.154 λ , 47.12 Ω	W = 1.270, L = 12.802	W = 50, L = 504
TL116	0.058 λ , 54.17 Ω	W = 1.016, L = 4.831	W = 40, L = 190
TL117	0.060 λ , 4.99 Ω	W = 19.050, L = 4.572	W = 750, L = 180
TL118	0.030 λ , 54.17 Ω	W = 1.016, L = 2.540	W = 40, L = 100
TL119	0.044 λ , 54.17 Ω	W = 1.016, L = 3.670	W = 40, L = 145
TL120	0.149 λ , 63.89 Ω	W = 0.762, L = 12.581	W = 30, L = 495
TL121	0.044 λ , 63.89 Ω	W = 0.762, L = 3.759	W = 30, L = 148
TL122	0.031 λ , 34.72 Ω	W = 1.981, L = 2.540	W = 78, L = 100
TL123		W1 = 1.270, W2 = 2.286	W1 = 50, W2 = 90
TL124, TL125	0.015 λ , 54.17 Ω	W1 = 1.016, W2 = 1.016, W3 = 1.270	W1 = 40, W2 = 40, W3 = 50
TL126	0.012 λ , 54.17 Ω	W1 = 1.016, W2 = 1.270, W3 = 1.016	W1 = 40, W2 = 50, W3 = 40
TL127	0.012 λ , 63.89 Ω	W1 = 0.762, W2 = 0.762, W3 = 1.016	W1 = 30, W2 = 30, W3 = 40
TL128	0.012 λ , 54.17 Ω	W1 = 1.016, W2 = 1.016, W3 = 1.016	W1 = 40, W2 = 40, W3 = 40
TL130		W1 = 19.050, W2 = 1.016, W3 = 19.050 W4 = 1.016	W1 = 750, W2 = 40, W3 = 750, W4 = 40
TL131		W1 = 1.016, W2 = 1.981	W1 = 40, W2 = 78

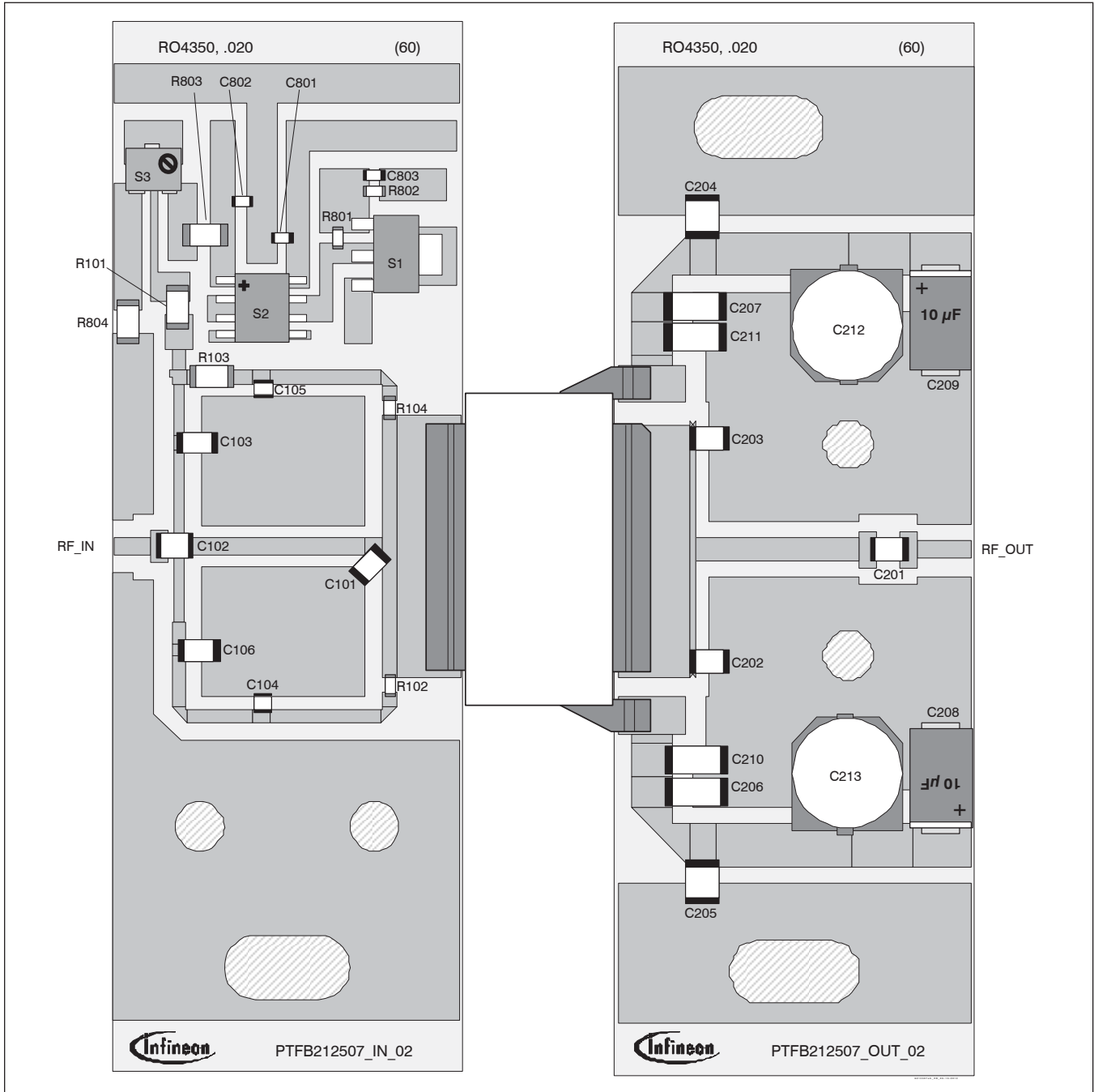
table continued on page 9

Reference Circuit (cont.)

Electrical Characteristics at 2170 MHz

Transmission Line	Electrical Characteristics	Dimensions: mm	Dimensions: mils
Output			
TL201		W1 = 3.048, W2 = 4.877	W1 = 120, W2 = 192
TL202		W1 = 3.048, W2 = 4.928	W1 = 120, W2 = 194
TL203		W1 = 14.992, W2 = 0.508, W3 = 14.992 W4 = 0.508	W1 = 590, W2 = 20, W3 = 590, W4 = 20
TL204, TL207	0.015 λ , 78.27 Ω	W1 = 0.508, W2 = 0.508, W3 = 1.270	W1 = 20, W2 = 20, W3 = 50
TL205		W1 = 18.263, W2 = 1.651	W1 = 719, W2 = 65
TL206	0.004 λ , 78.27 Ω	W = 0.508, L = 0.366	W = 20, L = 14
TL208	0.004 λ , 78.27 Ω	W = 0.508, L = 0.363	W = 20, L = 14
TL209		W1 = 1.651, W2 = 2.540	W1 = 65, W2 = 100
TL210		W1 = 1.270, W2 = 2.540	W1 = 50, W2 = 100
TL211	0.047 λ , 47.12 Ω	W = 1.270, L = 3.912	W = 50, L = 154
TL212	0.067 λ , 5.19 Ω	W = 18.263, L = 5.080	W = 719, L = 200
TL213, TL214	0.016 λ , 28.85 Ω	W = 2.540, L = 1.270	W = 100, L = 50
TL215	0.141 λ , 39.51 Ω	W = 1.651, L = 11.582	W = 65, L = 456
TL216	0.036 λ , 16.90 Ω	W = 4.928, L = 2.794	W = 194, L = 110
TL217	0.035 λ , 17.05 Ω	W = 4.877, L = 2.794	W = 192, L = 110
TL218, TL220	0.023 λ , 25.04 Ω	W1 = 3.048, W2 = 3.048, W3 = 1.829	W1 = 120, W2 = 120, W3 = 72
TL219, TL227	0.010 λ , 25.04 Ω	W = 3.048, L = 0.762	W = 120, L = 30
TL221, TL222		W = 3.048	W = 120
TL223, TL229, TL232, TL233	0.054 λ , 25.04 Ω	W1 = 3.048, W2 = 3.048, W3 = 4.318	W1 = 120, W2 = 120, W3 = 170
TL224, TL225, TL230, TL231	0.029 λ , 25.04 Ω	W1 = 3.048, W2 = 3.048, W3 = 2.286	W1 = 120, W2 = 120, W3 = 90
TL226, TL228	0.119 λ , 25.04 Ω	W = 3.048, L = 9.576	W = 120, L = 377

Reference Circuit (cont.)



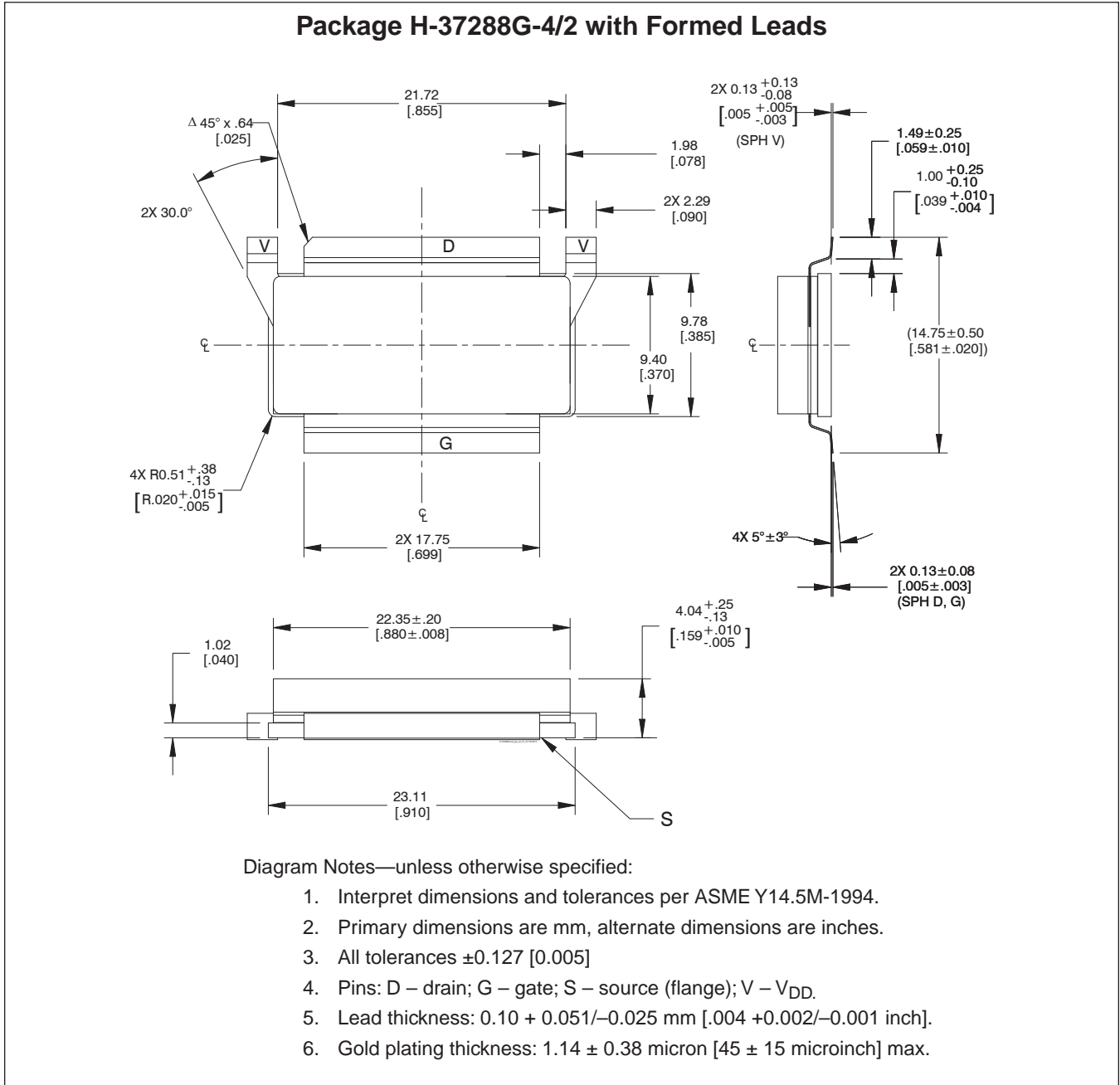
Reference circuit assembly diagram (not to scale)

Reference Circuit (cont.)

Components Information

Component	Description	Supplier	P/N
Input			
C101	Chip capacitor, 2.1 pF	ATC	ATC100B2R1CW500XB
C102	Chip capacitor, 10 pF	ATC	ATC100B100CW500XB
C103, C106	Chip capacitor, 4.7 μ F	Digi-Key	493-2372-2-ND
C104, C105	Chip capacitor, 10 pF	ATC	ATC100A100JW500XB
C801, C802, C803	Capacitor, 1000 pF	Digi-Key	PCC1772CT-ND
R101, R103, R804	Resistor, 10 Ohm	Digi-Key	P10ECT-ND
R102, R104	Resistor, 10 Ohm	Digi-Key	P10GCT-ND
R801	Resistor, 1200 Ohm	Digi-Key	P1.2KGCT-ND
R802	Resistor, 1300 Ohm	Digi-Key	P1.3KGCT-ND
R803	Resistor, 100 Ohm	Digi-Key	P101ECT-ND
S1	Transistor	Digi-Key	BCP56
S2	Voltage Regulator	Digi-Key	LM78L05ACM-ND
S3	Potentiometer, 2k ohm	Digi-Key	3224W-202ECT-ND
Output			
C201	Chip capacitor, 10 pF	ATC	ATC100A100GW150XB
C202, C203	Chip capacitor, 1.9 pF	ATC	ATC100B1R9CW500XB
C204, C205	Capacitor, 10 μ F	Digi-Key	587-1818-2-ND
C206, C207	Chip capacitor, 1 μ F	Digi-Key	445-1411-2-ND
C208, C209	Capacitor, 10 μ F	Digi-Key	281M5002106K
C210, C211	Chip capacitor, 2.2 μ F	Digi-Key	445-1447-2-ND
C212, C213	Capacitor, 220 μ F	Digi-Key	PCE4444TR-ND

Package Outline Specifications



Find the latest and most complete information about products and packaging at the Infineon Internet page <http://www.infineon.com/rfpower>

Revision History

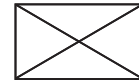
Revision	Date	Data Sheet	Page	Subjects (major changes at each revision)
01	2012-01-23	Advance	all	Proposed specification for new product development.
02	2012-05-16	Production	all	All specifications finalized, circuit and performance information added.
03	2015-10-30	Production	1, 2, 12	Package changed from H-34288G-4/2 to H-37288G-4/2.

We Listen to Your Comments

Any information within this document that you feel is wrong, unclear or missing at all?
Your feedback will help us to continuously improve the quality of this document.
Please send your proposal (including a reference to this document) to:

highpowerRF@infineon.com

To request other information, contact us at:
+1 877 465 3667 (1-877-GO-LDMOS) USA
or +1 408 776 0600 International



Edition 2015-10-30

Published by
Infineon Technologies AG
85579 Neubiberg, Germany

© 2012 – 2015 Infineon Technologies AG
All Rights Reserved.

Legal Disclaimer

The information given in this document shall in no event be regarded as a guarantee of conditions or characteristics. With respect to any examples or hints given herein, any typical values stated herein and/or any information regarding the application of the device, Infineon Technologies hereby disclaims any and all warranties and liabilities of any kind, including without limitation, warranties of non-infringement of intellectual property rights of any third party.

Information

For further information on technology, delivery terms and conditions and prices, please contact the nearest Infineon Technologies Office (www.infineon.com/rfpower).

Warnings

Due to technical requirements, components may contain dangerous substances. For information on the types in question, please contact the nearest Infineon Technologies Office.

Infineon Technologies components may be used in life-support devices or systems only with the express written approval of Infineon Technologies, if a failure of such components can reasonably be expected to cause the failure of that life-support device or system or to affect the safety or effectiveness of that device or system. Life support devices or systems are intended to be implanted in the human body or to support and/or maintain and sustain and/or protect human life. If they fail, it is reasonable to assume that the health of the user or other persons may be endangered.