

## Specifications



Specifications	Units	PTM-24F	PTM-24FG (gearhead)								
Rated Voltage	V	24/100/117/200/220 ±10%									
Frequency	Hz	50/60									
Rated Current	mA	35/45									
Revolutions	rpm	250/300	1	2	3	5	10	20	30	60	
Rotating Direction		Dual Direction (CC/CCW)									
Torque @ 60Hz	mN·m	35/30	1000	1000	1000	1000	650	360	240	120	
Temperature Rise	°K	50									
Operating Temp. Range	°C	-10 to +50									
Dielectric Strength	V	1500Vac for 10 seconds	1500Vac for 10 seconds								
Weight	g	300	500								
Capacitor	µF	6.8	0.47/0.11								

Magnet type: Anisotropic

## Torque Characteristics

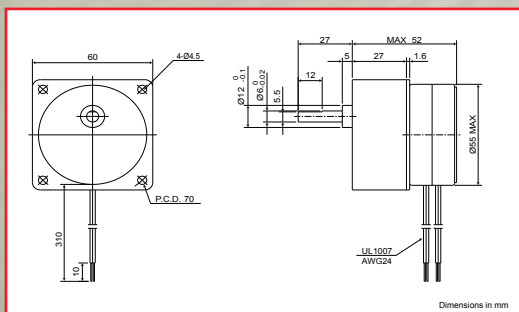
Model	PTM-24FG				
	Speed rpm	Torque (mN·m)		Gear Ratio	
		50Hz	60Hz	50Hz	60Hz
60	93	95	6/25	1/5	
30	185	190	3/25	1/10	
20	280	285	2/25	1/15	
10	445	460	1/25	1/30	
5	700*	700*	1/50	1/60	
4	895	920	2/125	1/75	
3	1000*	1000*	3/250	1/100	
2	1000*	1000*	1/125	1/150	
1	1000*	1000*	1/250	1/300	

\* - Values regulated by normal gear strength. Do not apply any load exceeding the normal gear strength.

Model	PTM-24FG(BB)				
	Speed rpm	Torque (mN·m)		Gear Ratio	
		50Hz	60Hz	50Hz	60Hz
60	--	96	--	1/5	
30	--	190	--	1/10	
20	280	285	2/25	1/15	
10	445	460	1/25	1/30	
5	895	920	1/50	1/60	
4	--	970	--	1/75	
3	1150	1200	3/250	1/100	
2	1750	1800	1/125	1/150	
1	--	--	--	--	

## Geared Models

### PTM-24FG



Gear Ratio	L
1/3 ~ 1/8	32
1/20 ~ 1/180	42

Reduction Ratio	L
1/3 - 1/8	32
1/20 to 1/180	42

### PTM-24FG(BB)

