

Specifications

Specifications	Units	PTMC-24P	PTMC-24PG (gearhead)									
Rated Voltage	V		24 ±10%									
Frequency	Hz		50/60									
Rated Current	mA		67/69									
Revolutions	rpm	250/300	1	2	3	4	5	10	20	30	60	
Rotating Direction			Dual Direction (CC/CCW)									
Torque @ 60Hz	mN·m	5.3/5/5	100	100	100	100	100	60	30	20	10	
Temperature Rise	°K		55									
Operating Temp. Range	°C		-10 to +50									
Dielectric Strength	V	1500Vac for 10 seconds	1500Vac for 10 seconds									
Weight	g	35	55									
Capacitor	µF		3.3									

Magnet type: Anisotropic

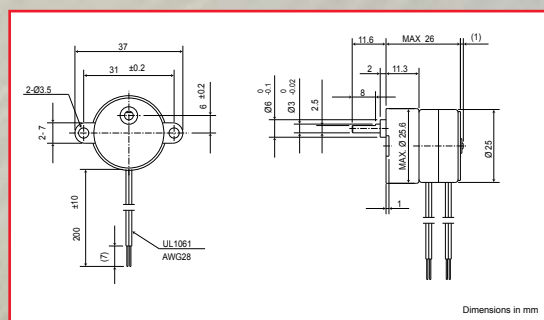
Torque Characteristics

Model	PTM-12PG			
Speed	Torque (mN·m)		Gear Ratio	
rpm	50Hz	60Hz	50Hz	60Hz
60	14	17	6/25	1/5
30	20*	20*	3/25	1/10
20	33	42	2/25	1/15
10	54	67	1/25	1/30
5	70*	70*	1/50	1/60
4	70*	70*	2/125	1/75
3	--	100*	--	1/100
2	100*	100*	1/125	1/150
1	100*	100*	1/250	1/300

*-Values regulated by normal gear strength. Do not apply any load exceeding the normal gear strength.

Geared Models

PTMC-24PG



Dimensions in mm