

30 AMP Power PCB Relay

PTRH



FEATURES

- Most popular power PCB relay
- Up to 30 amp switching capacity
- Up to 2 horsepower rating
- Gold flashed contacts available
- UL Class B insulation standard
- UL Class F insulation available
- Available with UL 873 spacing
- Epoxy sealed, immersion cleanable
- **Now available Lead Free & RoHS Compliant**



File # E93379

UL/CSA RATINGS

Load Type	Voltage	1 Form A (SPST-NO)	1 Form B (SPST-NC)	1 Form C (SPDT)	
				NO	NC
General Purpose	120 VAC	30 A	20 A	30 A	20 A
	250 VAC	30 A	20 A	30 A	20 A
	30 VDC	30 A	20 A	30 A	20 A
Resistive (100,000 cycles)	120 VAC	30 A	20 A	30 A	20 A
	250 VAC	30 A	20 A	30 A	20 A
Motor (30,000 cycles)	250 VAC	2 HP	—	2 HP	—
	120 VAC	1 HP	—	1 HP	—
LRA/FLA (locked rotor amps/full load amps)	250 VAC	80 A/30 A	—	80 A/30 A	—
	120 VAC	96 A/30 A	—	96 A/30 A	—

CONTACT DATA

Material		AgCdO (Silver Cadmium Oxide), AgSnOInO (Silver Tin Oxide Indium Oxide)
Initial Contact Resistance		50 milliohms max @ 0.1A, 6VDC
Service Life	Mechanical	1 X 10 ⁷ Operations
	Electrical	1 X 10 ⁵ Operations

CHARACTERISTICS

Operate Time	Less than 15 ms.
Release Time	Less than 10 ms.
Insulation Resistance	1,000 megohms min, at 500VDC, 50%RH
Dielectric Strength	1500 Vrms, 1 min. between open contacts 1500 Vrms, 1 min. between coil and contacts (2500 Vrms for -1)
Shock Resistance	10 g, 11ms, functional; 100 g, destructive
Vibration Resistance	DA 1.5mm, 10-55 Hz
Power Consumption	0.9W, approx.
Ambient Temperature Range	-55 degrees C to 85 degrees C operating for class B, -40 to 130 degrees C storage
Weight	30 grams approx.

PTRH Rev D 3-25-04

ORDERING INFORMATION

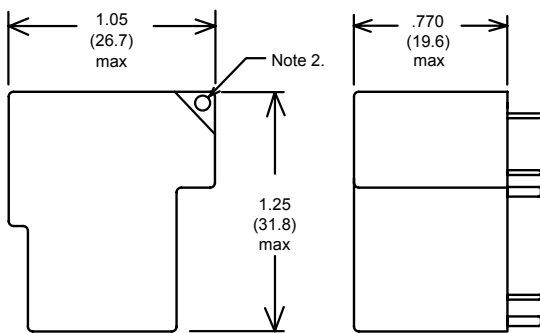
Example:	PTRH	-1C	-12	S	F	T	-1	-X
Model								
Contact Form								
1A, 1B, or 1C								
Coil Voltage								
Configuration								
Nil: Open Frame; S: Sealed plastic case; C: Dust Cover								
Insulation Material								
Nil: UL Class B; F: UL Class F								
Contact Material								
Nil: AgCdO; T: AgSnOInO; G: AgCdO+Au								
Spacing								
Nil: UL 508; -1: UL 873 (Pin # 6 omitted)								
Nil: Standard; -X ROHS Compliant								

COIL DATA

Coil Voltage	Resistance ohms $\pm 10\%$	Must Operate Voltage Max. (VDC)	Must Release Voltage Min. (VDC)	Continuous Voltage Max. (VDC)
5	27	3.75	0.5	5.5
6	40	4.50	0.6	6.6
9	97	6.75	0.9	9.9
12	155	9.00	1.2	13.2
24	660	18.00	2.4	26.4
48	2560	36.00	4.8	52.8
110	10330	82.50	11.0	121.0

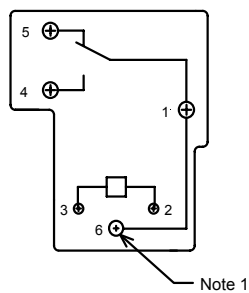
Note: Custom coil voltages within the ranges shown are available on special order.

Overall Dimensions
Inches (millimeters)

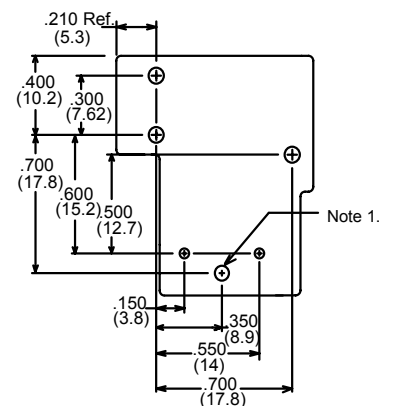


- Notes:**
 1. This pin omitted for UL 873 version.
 2. Breakable nib may be removed after flux removal.

Schematic



Pin Layout
Bottom View



Tolerances $\pm .010$ unless otherwise noted
 Holes for load term. $.081 \pm .005$ Dia. ($2.06 \pm .13$)
 Holes for Coil term. $.043 \pm .003$ Dia. ($1.09 \pm .08$)



3220 Commander Drive, Suite 102, Carrollton, Texas 75006

Sales: Call Toll Free (888) 997-3933 Fax (818) 342-5296 email: pickerwest@sbcglobal.net URL: pickercomponents.com