

Service Manual

Digital Video Camcorder

Panasonic Mini DV **MultiMediaCard™**
USB **SD™**

PV-GS200PP
PV-GS120PP

A-MECHANISM

Color

(S)..... Silver Type



PV-GS200



PV-GS120

SPECIFICATIONS

Digital Video Camera

ITEM	SPECIFICATION	ITEM	SPECIFICATION
POWER	Source: DC 7.9 / 7.2 V Consumption: Recording 3.9 W (When using Viewfinder)(PV-GS200) 4.4 W (When using LCD Monitor)(PV-GS200) 3.1 W (When using Viewfinder)(PV-GS120) 3.6 W (When using LCD Monitor)(PV-GS120)	CARD MEMORY FUNCTIONS	Sound Compression: G.726 (PV-GS200 only) Still Image Size: Mega-pixel Recording; 1760 x 1320 (2.3 million pixels)(PV-GS200) 1280 x 960 (1.2 million pixels)(PV-GS120) VGA Recording; 640 X 480
RECORDING FORMAT	Mini DV (Consumer-use Digital Video SD Format)	STANDARD ILLUMINATION	1,400 lx
TAPE USED	6.35 mm digital video tape	MINIMUM REQUIRED ILLUMINATION	1 lx (Color Night View Mode)
RECORDING / PLAYBACK TIME	SP mode: 80 min. with DVM80 LP mode: 120 min. with DVM80	USB	Card reader / writer function. USB 2.0 compliant (maximum 12Mbps) No copyright protection support / Mini System editing terminal / Pic Bridge compliant
CAMERA	Filter Diameter: 37.0 mm	DIGITAL INTERFACE	DV Input/Output Terminal (IEEE1394, 4-pin)
	Zoom: 10:1 Power Zoom	VIDEO FLASH	GN 5.5 (PV-GS200 only)
	Monitor: 2.5-inch LCD	MICROPHONE	Stereo
	Lens: Auto Iris, F1.8, Focal Length: 2.45 - 24.5 mm Macro (Full Range AF)	SPEAKER	1 round speaker φ20 mm
	Image Sensor: 1/8-inch CCD Image Sensor	OPERATING TEMPERATURE	0 - 40 °C
Viewfinder: Color Electronic Viewfinder	OPERATING HUMIDITY	10 - 80 %	
WEB CAMERA	Compression: Motion JPEG Image Size: 320 x 240 pixels (QVGA)	WEIGHT	Approx. 470 g (without Battery, DV cassette and lens cap) (PV-GS200) Approx. 570 g (with CGA-DU14, DVM60 and lens cap) (PV-GS200) Approx. 450 g (without Battery, DV cassette and lens cap) (PV-GS120) Approx. 550 g (with CGA-DU07, DVM60 and lens cap) (PV-GS120)
VIDEO	Recording System: Digital Component	DIMENSIONS	Approx. 70 (W) x 75 (H) x 126 (D) mm
	Television System: EIA Standard; 525 Lines, 60 Fields NTSC Color Signal	STANDARD ACCESSORIES	1 pc. AC Adaptor
	Video Output Level: 1.0 Vp-p, 75 ohm S-Video Output Level: Y Output: 1.0 Vp-p, 75 ohm C Output: 0.3 Vp-p, 75 ohm		1 pc. Battery Pack Unit
Video Input Level: 1.0 Vp-p, 75 ohm S-Video Input Level: Y Input: 1.0 Vp-p, 75 ohm C Input: 0.3 Vp-p, 75 ohm	1 pc. DC Cable		
AUDIO	Recording System: PCM Digital Recording 16 bit (48 kHz/2 ch) 12 bit (32 kHz/4 ch)	1 pc. AC Cord	
	Audio Output Level (Line): 316 mV, 600 ohm Audio Input Level (Line): 316 mV, 10 kohm or more Mic Input: Mic sensitivity -50dB(0dB=1V/Pa,1kHz) (Stereo Mini Jack)	1 pc. AV Cable	
CARD MEMORY FUNCTIONS	Recording Media: SD Memory Card, MultiMediaCard	1 pc. Remote Controller	
	Image Compression: JPEG	1 pc. Bottom-type Battery	
	Video Compression: MPEG4(PV-GS200 only) MPEG Image size(PV-GS200 only): SUPERFINE: 320 x 240 pixels (QVGA) FINE: 320 x 240 pixels (QVGA) NORMAL: 176 x 144 pixels (QCIF) ECONOMY: 176 x 144 pixels (QCIF)	1 pc. Hood Cap Unit	
		1 pc. Driver Soft	
		1 pc. USB Connection Cable	
		1 pc. SD Card	
		1 pc. Shoulder Belt	
		1 pc. Universal Remote Controller(PV-GS200)	
		SOLDER	This model use lead free solder (PbF).

Weight and dimensions are approximate values.
Specifications may change without prior notice.

Panasonic

© 2004 Matsushita Kotobuki Electronics Industries LTD. All rights reserved. Unauthorized copying and distribution is a violation of law.

⚠ WARNING

This service information is designed for experienced repair technicians only and is not designed for use by the general public. It does not contain warnings or cautions to advise non-technical individuals of potential dangers in attempting to service a product. Products powered by electricity should be serviced or repaired only by experienced professional technicians. Any attempt to service or repair the product or products dealt with in this service information by anyone else could result in serious injury or death.

CONTENTS

	Page		Page
1 INTRODUCTION	4	12.1. OVERALL BLOCK DIAGRAM	49
1.1. INTRODUCTION	4	12.2. CAMERA 1 BLOCK DIAGRAM (SENSOR BLOCK DIAGRAM)	50
1.2. FEATURE COMPARISON CHART	4	12.3. CAMERA 2 BLOCK DIAGRAM (PROCESS BLOCK DIAGRAM)	51
1.3. ABOUT LEAD FREE SOLDER (PbF)	4	12.4. LENS DRIVE BLOCK DIAGRAM	52
2 SAFETY PRECAUTIONS	5	12.5. CONTROL 1 BLOCK DIAGRAM	53
2.1. GENERAL GUIDELINES	5	12.6. CONTROL 2 BLOCK DIAGRAM	54
2.2. LEAKAGE CURRENT COLD CHECK	5	12.7. VIDEO BLOCK DIAGRAM	55
2.3. LEAKAGE CURRENT HOT CHECK (See Figure. 1)	5	12.8. DSC BLOCK DIAGRAM (PV-GS200PP ONLY)	56
3 PREVENTION OF ELECTRO STATIC DISCHARGE (ESD) TO ELECTROSTATICALLY SENSITIVE (ES) DEVICES	6	12.9. MONITOR BLOCK DIAGRAM	57
4 HOW TO REPLACE THE LITHIUM BATTERY (PROCEDURE) ..	7	13 SCHEMATIC DIAGRAMS	59
5 HOW TO RECYCLE THE LITHIUM BATTERY	8	13.1. INTERCONNECTION SCHEMATIC DIAGRAM	59
6 ADJUSTMENT PROCEDURES	9	13.2. SIDE(L)SCHEMATIC DIAGRAM	61
6.1. DISASSEMBLE FLOW CHART	9	13.3. CASSETTE COVER UNIT SCHEMATIC DIAGRAM	61
6.2. DISASSEMBLY PROCEDURES	10	13.4. REAR OPERATION UNIT SCHEMATIC DIAGRAM	61
6.3. DISASSEMBLY PROCEDURES MECHA. UNIT	19	13.5. SIDE (R) / R RELAY / LCD DET / SD OPEN SCHEMATIC DIAGRAM	61
6.4. DISASSEMBLY PROCEDURES OF CAMERA LENS UNIT	23	13.6. SIDE (R) VTR OPERATION FLEX. UNIT SCHEMATIC DIAGRAM	62
7 SERVICE CAUTION	24	13.7. MF SENSOR SCHEMATIC DIAGRAM (PV-GS200PP ONLY)	62
7.1. HOW TO DISCHARGE THE CAPACITOR ON FRONT C.B.A.	24	13.8. EVF SCHEMATIC DIAGRAM	62
7.2. EEPROM DATA FOR SPARE PARTS OF THE MAIN C.B.A.	24	13.9. PL FLEX. CARD SCHEMATIC DIAGRAM	62
7.3. SERVICE EXTENSION CABLE FOR ALL C.B.A. INCLUDED IN MODULE UNIT	24	13.10. SD HOLDER SCHEMATIC DIAGRAM	63
7.4. LOCATION FOR SPARE CONNECTORS OF THE MAIN C.B.A. & SUB C.B.A.	26	13.11. CCD FLEX. CARD SCHEMATIC DIAGRAM	64
7.5. CSP IC LOCATION OF THE MAIN C.B.A. & SUB C.B.A.	29	13.12. FRONT / FLASH SW FLEX. CARD SCHEMATIC DIAGRAM	65
7.6. TEMPERATURE PROFILE FOR HEAT RESISTANCE OF CSP IC	32	13.13. JACK SCHEMATIC DIAGRAM	66
8 ELECTRICAL ADJUSTMENT PROCEDURES	33	13.14. MONITOR SCHEMATIC DIAGRAM (PV-GS120PP ONLY)	67
8.1. COMPUTER ASSISTED ADJUSTMENT SYSTEM <TATSUJIN> ADJUSTMENT.	33	13.15. MONITOR SCHEMATIC DIAGRAM (PV-GS200PP ONLY)	68
8.2. SET-UP MANUAL FOR DV-Camcorder.	33	13.16. SUB (SUB CONNECTION) SCHEMATIC DIAGRAM	69
8.3. SET UP PC-EVR ADJUSTMENT PROGRAM	36	13.17. SUB (SUB POWER) SCHEMATIC DIAGRAM	71
8.4. INITIAL GUIDELINE	37	13.18. SUB (MPEG) SCHEMATIC DIAGRAM (PV-GS200PP ONLY)	72
9 MECHANICAL ADJUSTMENT PROCEDURES	38	13.19. SUB (LENS DRIVE) SCHEMATIC DIAGRAM	74
9.1. ADJUSTMENT ITEM	38	13.20. SUB (CAMERA) SCHEMATIC DIAGRAM	76
9.2. ADJUSTMENT PROCEDURES	38	13.21. MAIN (MAIN CONNECTION) SCHEMATIC DIAGRAM ..	81
10 SERVICE MODE	40	13.22. MAIN (AVIO) SCHEMATIC DIAGRAM	84
10.1. ERROR DISPLAY	40	13.23. MAIN (EX INPUT)SCHEMATIC DIAGRAM	85
10.2. SERVICE MENU	40	13.24. MAIN (LCD) SCHEMATIC DIAGRAM	87
11 ABBREVIATIONS	42	13.25. MAIN (DRIVE) SCHEMATIC DIAGRAM	88
12 BLOCK DIAGRAM	49	13.26. MAIN (VIDEO) SCHEMATIC DIAGRAM	89

13.27. MAIN (POWER) SCHEMATIC DIAGRAM	92	14.17. MAIN C.B.A. (COMPONENT SIDE)	111
13.28. MAIN (CONTROL) SCHEMATIC DIAGRAM	94	14.18. MAIN C.B.A. (FOIL SIDE)	112
14 CIRCUIT BOARD ASSEMBLIES	99	15 CHECKING POINT OF THE CSP IC	115
14.1. SIDE (L) C.B.A.	99	15.1. CHECKING POINT TABLE	115
14.2. EVF C.B.A.	99	15.2. WAVEFORM TABLE (PLAY MODE)	132
14.3. FLASH C.B.A.	100	16 EXPLODED VIEWS	138
14.4. SD OPEN C.B.A.	100	16.1. FRAME & CASING SECTION (1)	138
14.5. SIDE (R) (LCD DET) C.B.A.	100	16.2. FRAME & CASING SECTION (2)	139
14.6. SIDE (R) (R RELAY) C.B.A.	100	16.3. LCD SECTION	140
14.7. SD HOLDER C.B.A.	101	16.4. CAMERA LENS SECTION	141
14.8. JACK C.B.A.	101	16.5. VCR MECHANISM SECTION	142
14.9. CCD FLEX. CARD C.B.A.	102	16.6. PACKING PARTS & ACCESSORIES SECTION	143
14.10. FRONT C.B.A.	102	17 REPLACEMENT PARTS LIST	144
14.11. MONITOR C.B.A. (PV-GS120PP ONLY)	103	17.1. FRAME & CASING SECTION (1), (2) PARTS LIST	144
14.12. MONITOR C.B.A. (PV-GS200PP ONLY)	104	17.2. LCD SECTION PARTS LIST	145
14.13. SUB C.B.A. (COMPONENT SIDE) (PV-GS120PP ONLY)		17.3. CAMERA LENS SECTION PARTS LIST	145
.....	105	17.4. VCR MECHANISM SECTION PARTS LIST	146
14.14. SUB C.B.A. (FOIL SIDE) (PV-GS120PP ONLY)	106	17.5. PACKING PARTS & ACCESSORIES SECTION PARTS	
14.15. SUB C.B.A. (COMPONENT SIDE) (PV-GS200PP ONLY)		LIST	146
.....	108	17.6. ELECTRICAL REPLACEMENT PARTS LIST	146
14.16. SUB C.B.A. (FOIL SIDE) (PV-GS200PP ONLY)	109		

1 INTRODUCTION

1.1. INTRODUCTION

This service manual contains technical information which will allow service personnel's to understand and service this model. Please place orders using the parts list and not the drawing reference numbers.

If the circuit is changed or modified, this information will be followed by supplement service manual to be filed with original service manual.

Note 1:

These movie camera uses AC Adaptor is PV-DAC14D.

1.2. FEATURE COMPARISON CHART

FUNCTION	GS200	GS120
Image Sensor Total Pixels	800Kx3	540Kx3
Still Picture Size (Mega-Pixel Recording)	1760x1320 (2.3 million pixels)	1280x960 (1.2 million pixels)
Video Compression	MPEG4	-
Video Flash	○ (GN5.5)	-
Standard Accessories	Free Style Remote Controller	-

1.3. ABOUT LEAD FREE SOLDER (PbF)

Distinction of PbF PCB:

PCBs (manufactured) using lead free solder will have a PbF stamp or printing on the PCB.
(Please refer to figures.)



Printed case



Stamped case

CAUTION:

- Pb free solder has a higher melting point than standard solder; Typically the melting point is 50 °F - 70 °F (30 °C - 40 °C) higher. Please use a soldering iron with temperature control and adjust it to 700 °F±20 °F (370 °C± 10 °C). In case of using high temperature soldering iron, please be careful not to heat too long.
- Pb free solder will tend to splash when heated too high (about 1100 °F/600 °C).
- All products with the printed circuit board with PbF stamp or printing must be serviced with lead free solder. When soldering or unsoldering, completely remove all of the solder from the pins or solder area, and be sure to heat the soldering points with the lead free solder until it melts sufficiently.

Recommendations

Recommended lead free solder composition is Sn96.5 Ag3.0 Cu0.5.

2 SAFETY PRECAUTIONS

2.1. GENERAL GUIDELINES

1. IMPORTANT SAFETY NOTICE

There are special components used in this equipment which are important for safety. These parts are marked by \triangle in the Schematic Diagrams, Circuit Board Layout, Exploded Views and Replacement Parts List. It is essential that these critical parts should be replaced with manufacturer's specified parts to prevent X-RADIATION, shock fire, or other hazards. Do not modify the original design without permission of manufacturer.

2. An Isolation Transformer should always be used during the servicing of AC Adaptor whose chassis is not isolated from the AC power line. Use a transformer of adequate power rating as this protects the technician from accidents resulting in personal injury from electrical shocks. It will also protect AC Adaptor from being damaged by accidental shorting that may occur during servicing.
3. When servicing, observe the original lead dress. If a short circuit is found, replace all parts which have been overheated or damaged by the short circuit.
4. After servicing, see to it that all the protective devices such as insulation barriers, insulation papers shields are properly installed.
5. After servicing, make the following leakage current checks to prevent the customer from being exposed to shock hazards.

2.2. LEAKAGE CURRENT COLD CHECK

1. Unplug the AC cord and connect a jumper between the two prongs on the plug.
2. Measure the resistance value, with an ohmmeter, between the jumpered AC plug and each exposed metallic cabinet part on the equipment such as screwheads, connectors, control shafts, etc. When the exposed metallic part has a return path to the chassis, the reading should be between $1M\Omega$ and $5.2M\Omega$. When the exposed metal does not have a return path to the chassis, the reading must be infinity.

2.3. LEAKAGE CURRENT HOT CHECK (See Figure. 1)

1. Plug the AC cord directly into the AC outlet. Do not use an isolation transformer for this check.
2. Connect a $1.5\text{ k}\Omega$, 10 W resistor, in parallel with a $0.15\ \mu\text{F}$ capacitor, between each exposed metallic part on the set and a good earth ground, as shown in Figure. 1
3. Use an AC voltmeter, with $1\text{ k}\Omega/\text{V}$ or more sensitivity, to measure the potential across the resistor.
4. Check each exposed metallic part, and measure the voltage at each point.
5. Reverse the AC plug in the AC outlet and repeat each of the above measurements.
6. The potential at any point should not exceed 0.75 V RMS .

A leakage current tester (Simpson Model 229 or equivalent) may be used to make the hot checks, leakage current must not exceed $1/2\text{ mA}$. In case a measurement is outside of the limits specified, there is a possibility of a shock hazard, and the equipment should be repaired and rechecked before it is returned to the customer.

Hot-Check Circuit

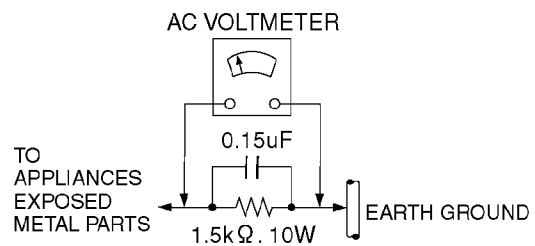


Figure. 1

3 PREVENTION OF ELECTRO STATIC DISCHARGE (ESD) TO ELECTROSTATICALLY SENSITIVE (ES) DEVICES

Some semiconductor (solid state) devices can be damaged easily by static electricity. Such components commonly are called Electrostatically Sensitive (ES) Devices. Examples of typical ES devices are integrated circuits and some field-effect transistors and semiconductor "chip" components. The following techniques should be used to help reduce the incidence of component damage caused by electro static discharge (ESD).

1. Immediately before handling any semiconductor component or semiconductor-equipped assembly, drain off any ESD on your body by touching a known earth ground. Alternatively, obtain and wear a commercially available discharging ESD wrist strap, which should be removed for potential shock reasons prior to applying power to the unit under test.
2. After removing an electrical assembly equipped with ES devices, place the assembly on a conductive surface such as aluminum foil, to prevent electrostatic charge buildup or exposure of the assembly.
3. Use only a grounded-tip soldering iron to solder or unsolder ES devices.
4. Use only an antistatic solder removal device. Some solder removal devices not classified as "antistatic (ESD protected)" can generate electrical charge sufficient to damage ES devices.
5. Do not use freon-propelled chemicals. These can generate electrical charges sufficient to damage ES devices.
6. Do not remove a replacement ES device from its protective package until immediately before you are ready to install it. (Most replacement ES devices are packaged with leads electrically shorted together by conductive foam, aluminum foil or comparable conductive material).
7. Immediately before removing the protective material from the leads of a replacement ES device, touch the protective material to the chassis or circuit assembly into which the device will be installed.

CAUTION:

Be sure no power is applied to the chassis or circuit, and observe all other safety precautions.

8. Minimize bodily motions when handling unpackaged replacement ES devices. (Otherwise harmless motion such as the brushing together of your clothes fabric or the lifting of your foot from a carpeted floor can generate static electricity (ESD) sufficient to damage an ES device).

4 HOW TO REPLACE THE LITHIUM BATTERY (PROCEDURE)

1. Remove the Side Case (L) C.B.A.. (Refer to Disassembly Procedures.)
2. Unsolder the Lithium Battery "ML-921S/F9D" and then replace the new one. (See Fig. B1 .)
3. Danger of explosion if battery is incorrectly replaced. Replace only with the same or equivalent type.

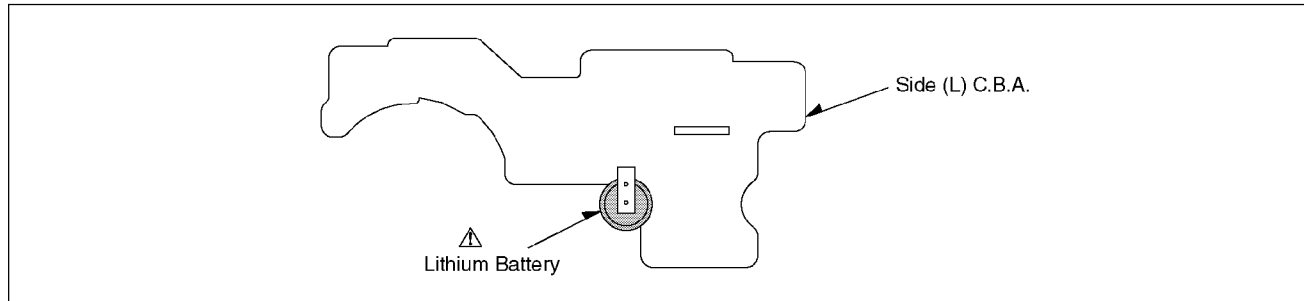


Fig. B1

Note:

The lithium battery is a critical component. (Type No.: ML-921S/F9D Manufactured by Panasonic.)

It must never be subjected to excessive heat or discharge.

It must therefore only be fitted in equipment designed specifically for its use.

Replacement batteries must be of the same type and manufacture.

They must be fitted in the same manner and location as the original battery, with the correct polarity contacts observed.

Do not attempt to re-charge the old battery or re-use it for any other purpose.

It should be disposed of in waste products destined for burial rather than incineration.

CAUTION

Danger of explosion if battery is incorrectly replaced.

Replace only with the same or equivalent type recommended by the equipment manufacturer.

Discard used batteries according to manufacturer's instructions.

PRECAUTION

Le fait de remplacer incorrectement la pile peut présenter des risques d'explosion.

Remplacer la pile uniquement par une pile identique ou de type équivalent recommandée par le fabricant. Se débarrasser des piles usagées conformément aux instructions du fabricant.

VORSICHT

Bei einer falsch eingesetzten Batterie besteht Explosionsgefahr. Nur mit einer vom Hersteller empfohlenen Batterie vom gleichen Typ ersetzen.

Verbrauchte Batterien beim Fachhändler oder einer Sammelstelle für Sonderstoffe abliefern.

VARNING

Explosionsfara vid felaktigt batteribyte.

Använd samma batterityp eller en ekvivalent typ som rekommenderas av apparattillverkaren.

Kassera använt batteri enligt fabrikantens instruktion.

ADVARSEL!

Lithiumbatteri-Eksplussionsfare ved fejlagtig håndtering.

Udskiftning må kun ske med batteri af samme fabrikat og type.

Levér det brugte batteri tilbage til leverandøren.

VAROITUS

Paristo voi räjähtää, jos se on virheellisesti asennettu.

Vaihda paristo ainoastaan laitevalmistajan suosittelemaan tyyppiin.

Hävitätä käytetty paristo valmistajan ohjeiden mukaisesti.

5 HOW TO RECYCLE THE LITHIUM BATTERY



A lithium ion/polymer battery that is recyclable powers the product you have purchased. Please call 1-800-8-BATTERY for information on how to recycle this battery.

L'appareil que vous vous êtes procuré est alimenté par une batterie au lithium-ion/lithium-polymère. Pour des renseignements sur le recyclage de la batterie, veuillez composer le 1-800-8-BATTERY.

6 ADJUSTMENT PROCEDURES

6.1. DISASSEMBLE FLOW CHART

This flow chart indicates the disassembly steps the cabinet parts, C.B.A. and Mecha. Unit in order to access to be serviced. When reinstalling, perform the steps in the reverse order.

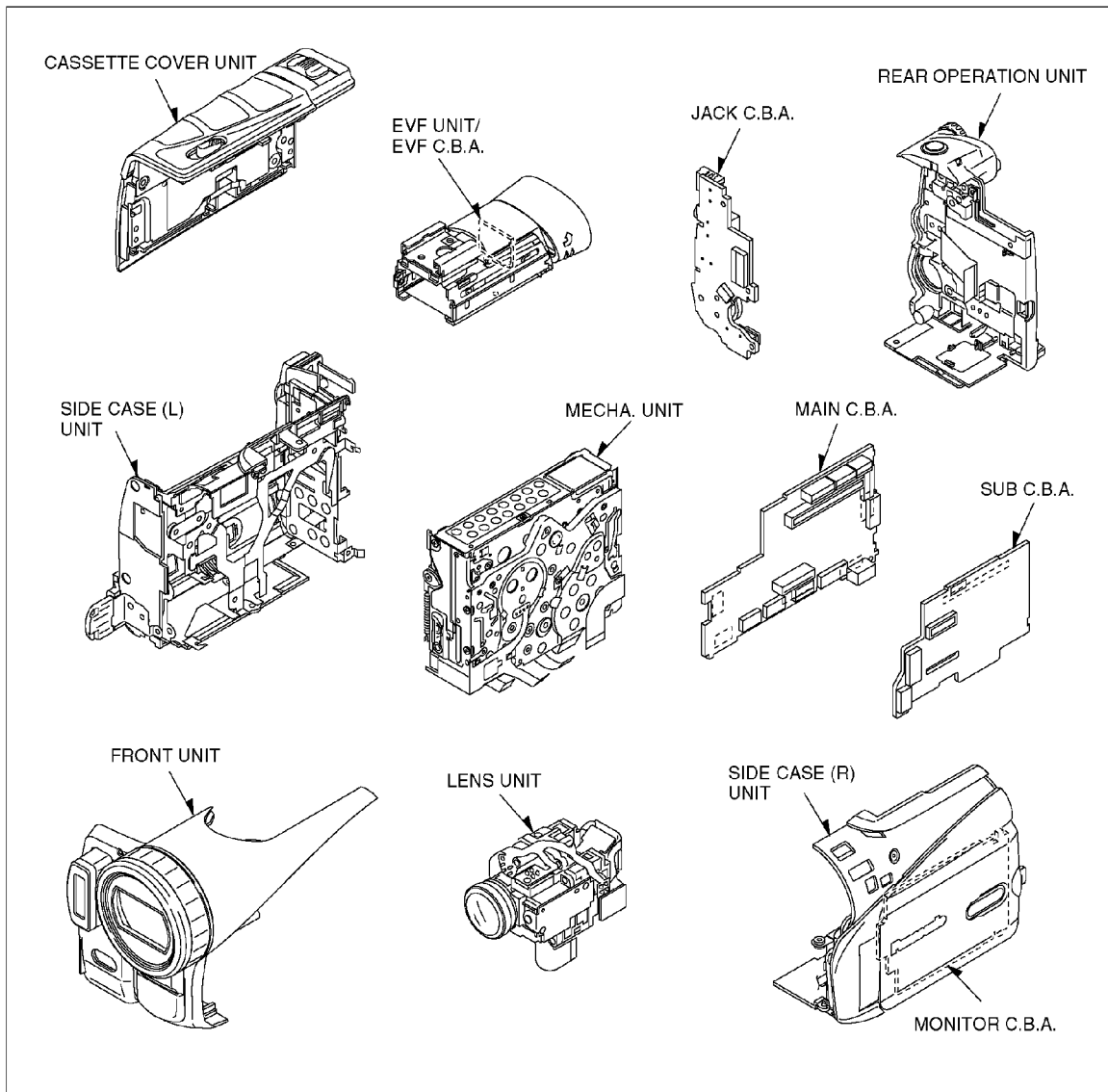
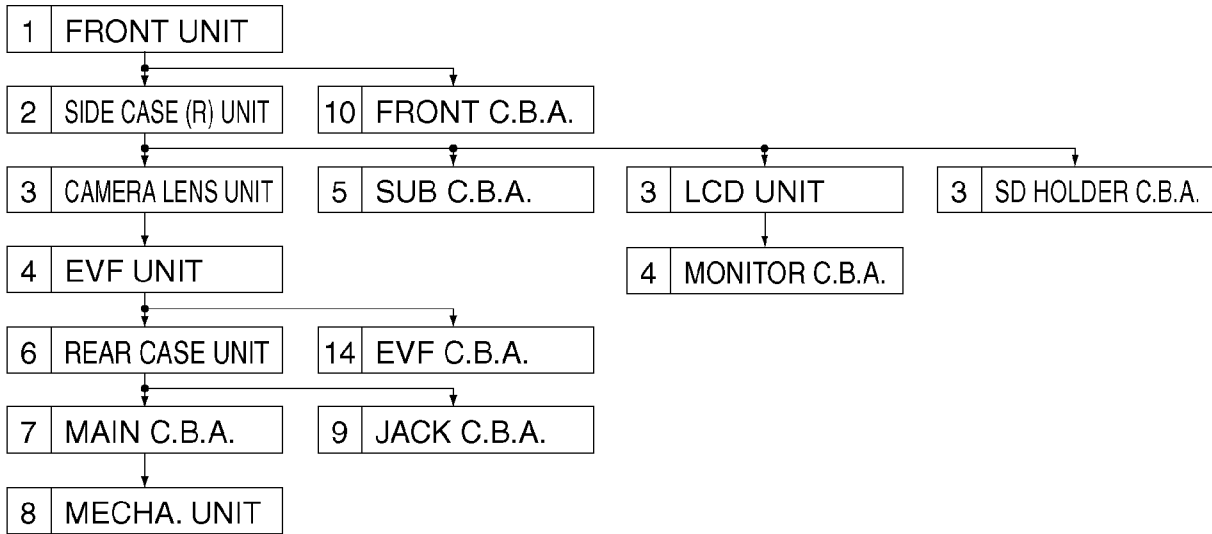


Fig. F1

6.2. DISASSEMBLY PROCEDURES

Flow-Chart for Disassembly Procedure

No.	Item / Part	Fig.	Removal (Screw,Connector,Flex. & Other)
1	Front Unit	Fig. D2	2-Screws (A), 1-Screw (B) Remove Grip Belt Piece.
		Fig. D3	1-Screw (C), 1-Screw (D), 1-Screw (E)
		Fig. D4	1-Connector FP4801 Front Unit
2	Side Case (R) Unit	Fig. D5	1-Screw (F), 2-Screws (G)
		Fig. D6	1-Screw (H) 3-Connectors FP601, FP3401, FP6503 Side Case (R) Unit
3	Camera Lens Unit	Fig. D7	1-Screw (I) 2-Connectors FP701,PS201 Camera Lens Unit
4	EVF Unit	Fig. D8	1-Screw (J)
		Fig. D9	1-Screw (K) 2-Connectors FP603,FP3402 EVF Unit
5	Sub C.B.A.	Fig. D10	2-Connectors FP4002,PS3001 Sub C.B.A.
6	Rear Case Unit	Fig. D11	1-Screw (L), 1-Screw (M), 1-Screw (N) 2-Connectors FP1001,FP6502 Rear Case Unit
7	Main C.B.A.	Fig. D12	8-Connectors FP2201,FP2202,FP2203,FP2204, FP5001, FP6501,FP6504,FP6505 1-Screw (O) Remove Main C.B.A.
8	Mecha. Unit	Fig. D13	3-Screws (P) Mecha. Unit
9	Jack C.B.A.	Fig. D14	2-Screws (Q), 1-Screw (R) Jack C.B.A.
10	Front C.B.A.	Fig. D15	<GS200> 2-Screws (S), 1-Screw (T), 1-Screw (U) 2-Connectors FP7001,FP7002 Front C.B.A./Flash SW C.B.A. <GS120> 3-Screws (S) FrontC.B.A.
11	LCD Unit	Fig. D16	1-Screw (V)
		Fig. D17	3-Screws (W) Rear Cover
		Fig. D18	2-Screws (X) LCD Unit
12	Monitor C.B.A.	Fig. D19	2-Screws (Y) 6-Tabs 1-Connector FP904 LCD Case (Upper)
		Fig. D20	1-Connector FP901 Monitor C.B.A.
13	SD Holder C.B.A.	Fig. D21	1-Screw (Z), 1-Screw (a) 1-Connector FP6601 4-Tabs SD Holder Unit *Paying attention to SD opening SW in the case of, assembling the SD holder unit is installed, in the condition where opened the SD door.
		Fig. D22	1-Screw (b) SD Door Unit
		Fig. D23	SD Slide Link/SD Holder
		Fig. D24	SD Support Plate Unit/SD Door Spring/SD Slide Cover
		Fig. D25	SD Holder C.B.A.

No.	Item / Part	Fig.	Removal (Screw,Connector,Flex. & Other)
14	EVF C.B.A.	Fig. D26	Tape
		Fig. D27	4-Screws (c) EVF UNIT (1)
		Fig. D28	2-Screws (d) EVF Hinge
		Fig. D29	Pushing A department I remove the View ADJ. Unit.
		Fig. D30	Remove a,b,c,d department (remove a, b department previously) EVF Case (Upper) Remove e,f department EVF LCD Unit
Fig. D31	2-Connectors FP801,FP802 Remove g,h department EVF C.B.A.		

If the Card inserted, take out it before disassembling.

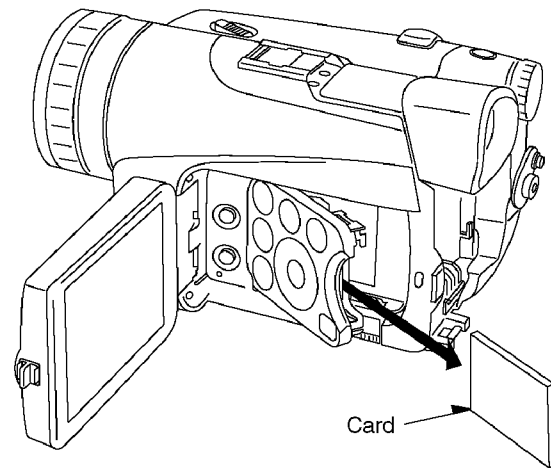


Fig. D1

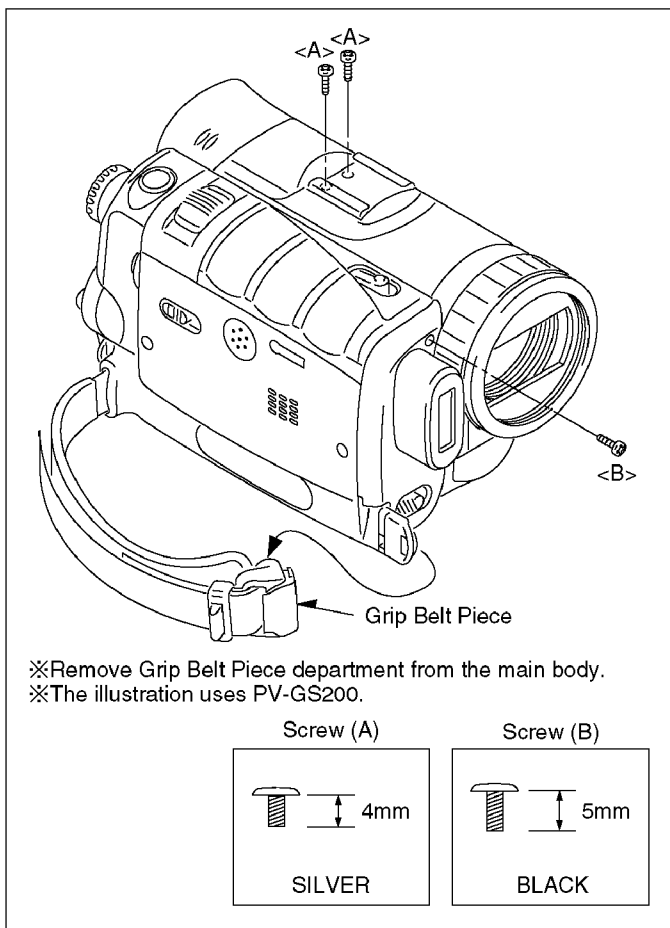


Fig. D2

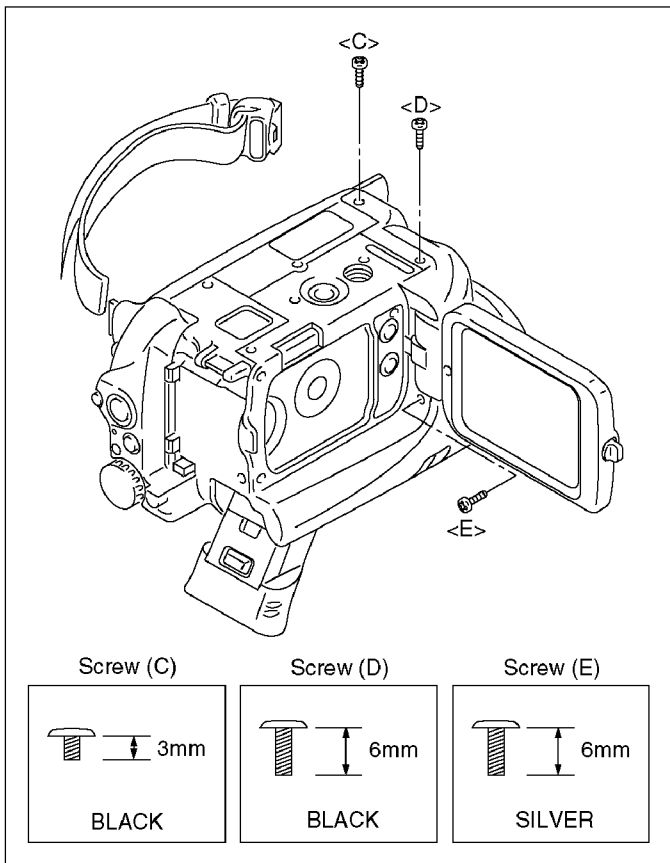


Fig. D3

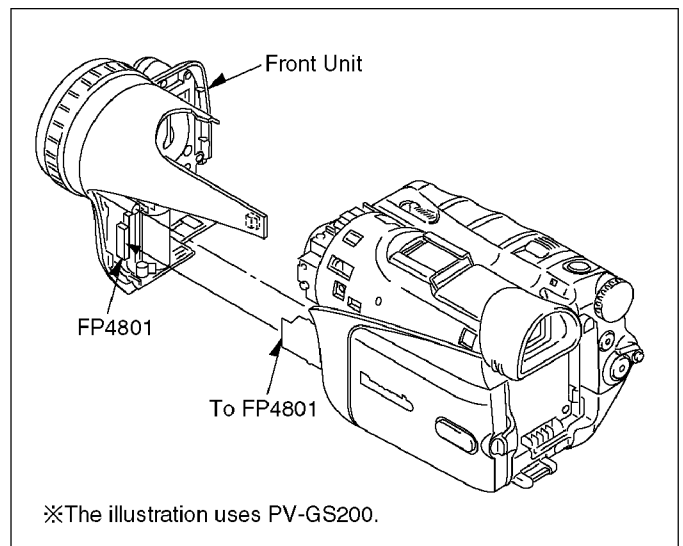


Fig. D4

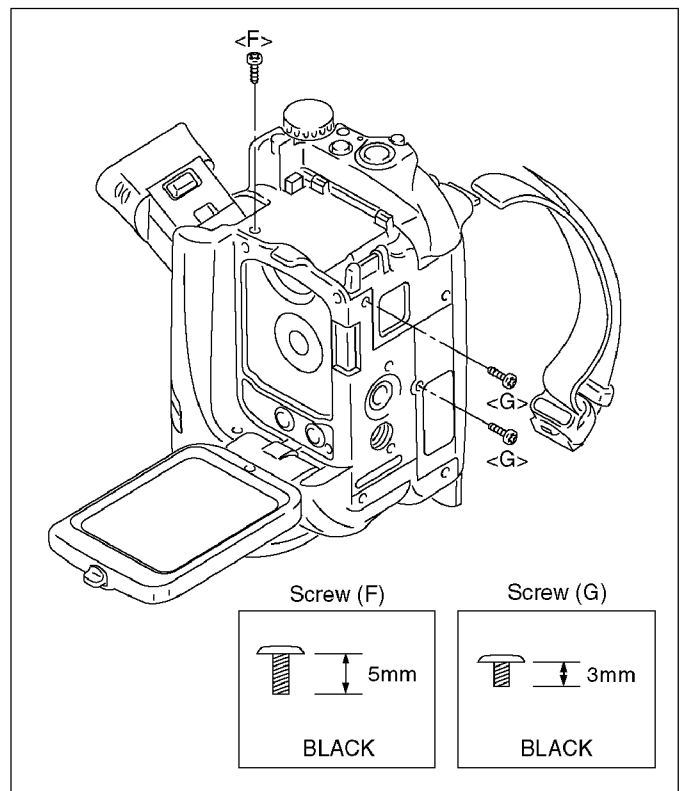


Fig. D5

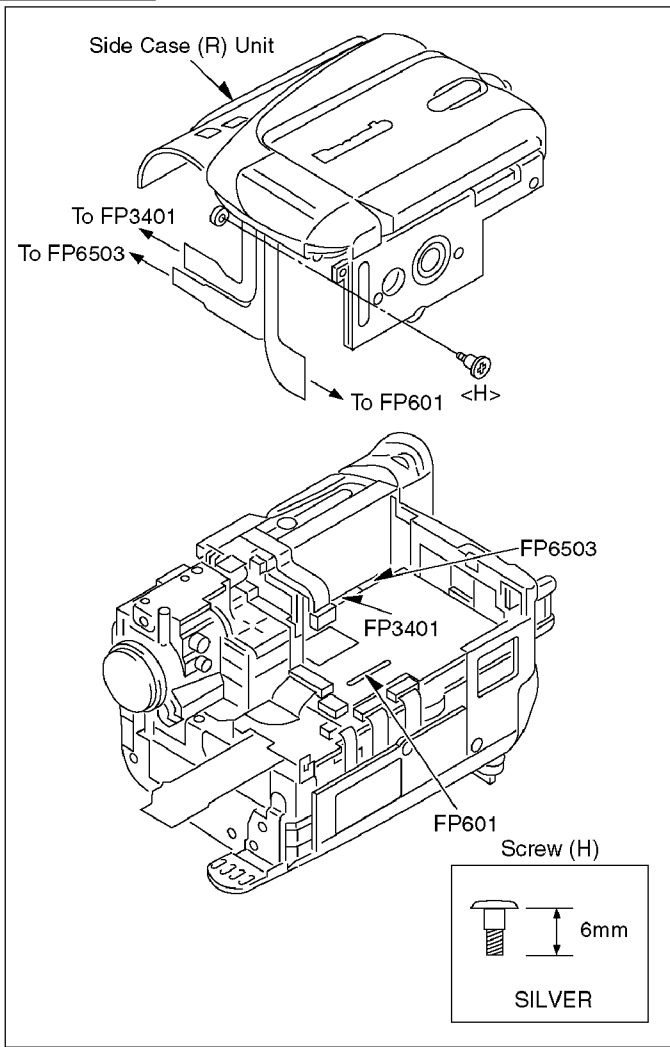


Fig. D6

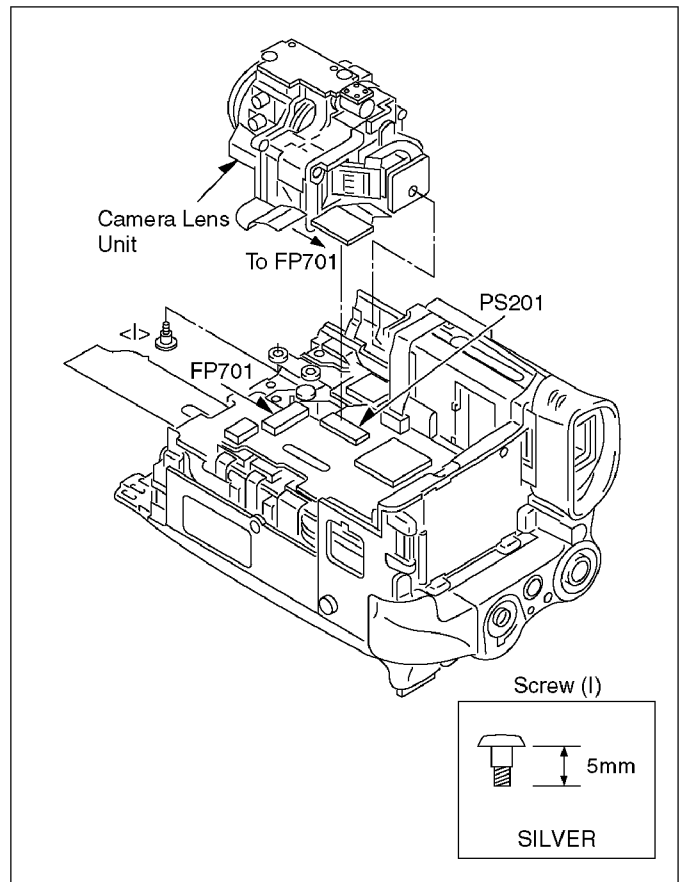


Fig. D7

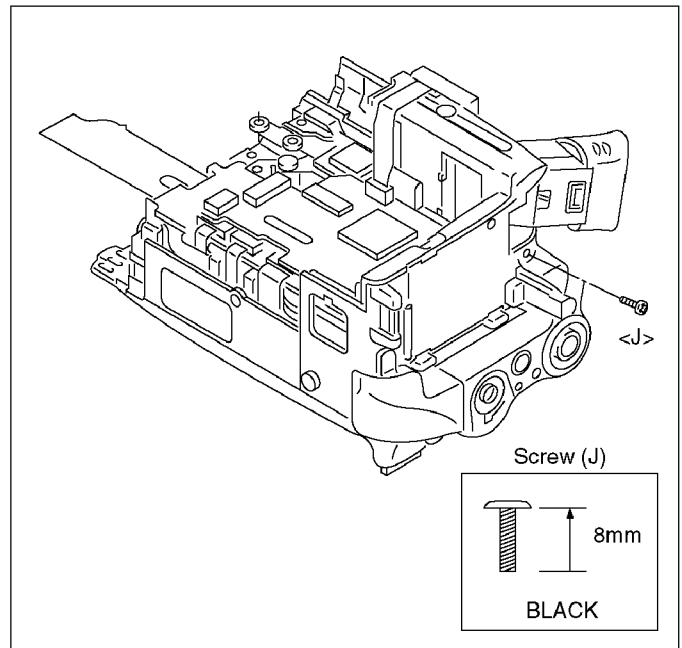


Fig. D8

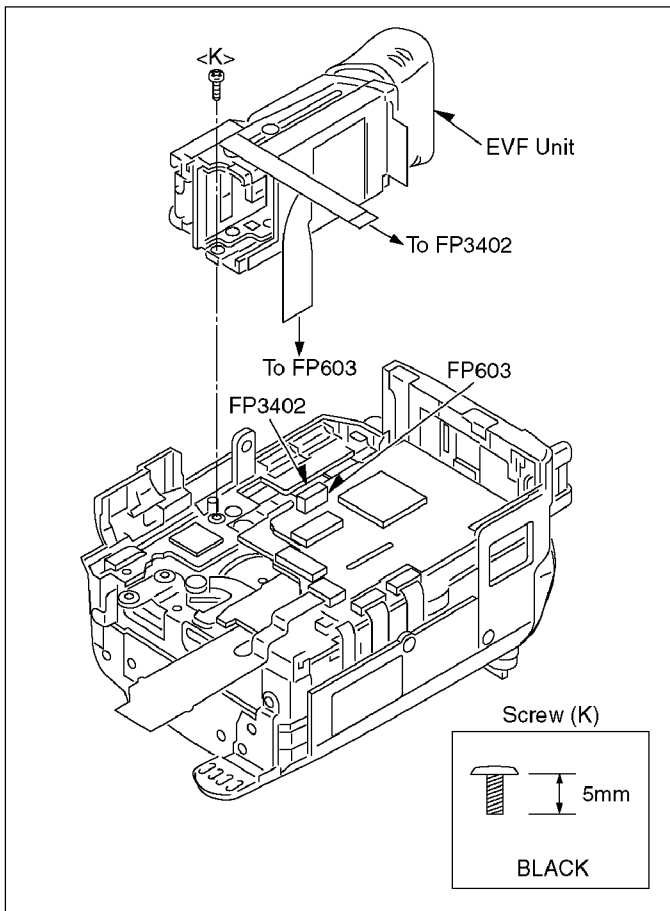


Fig. D9

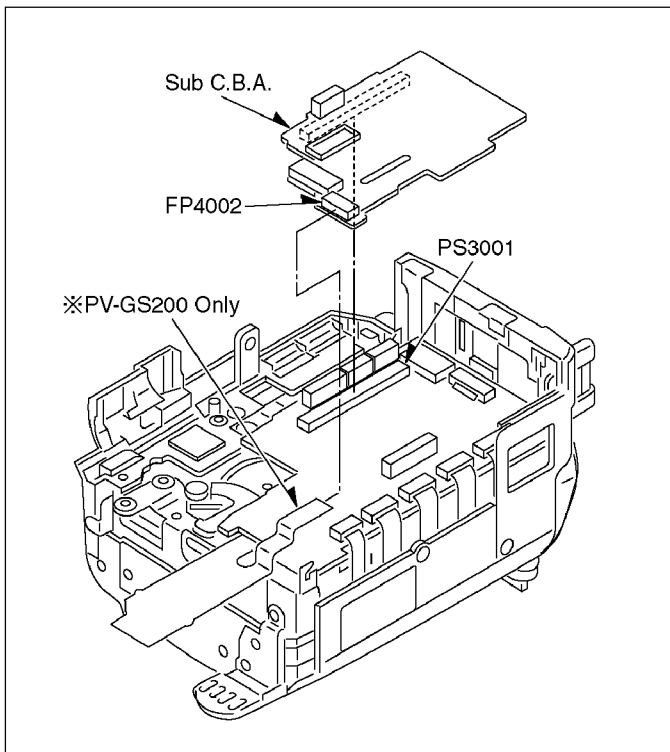


Fig. D10

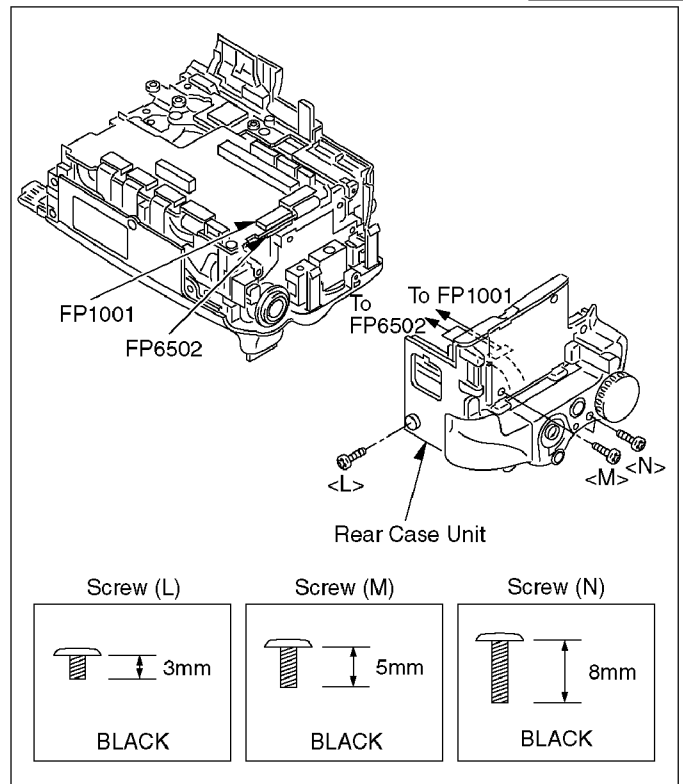


Fig. D11

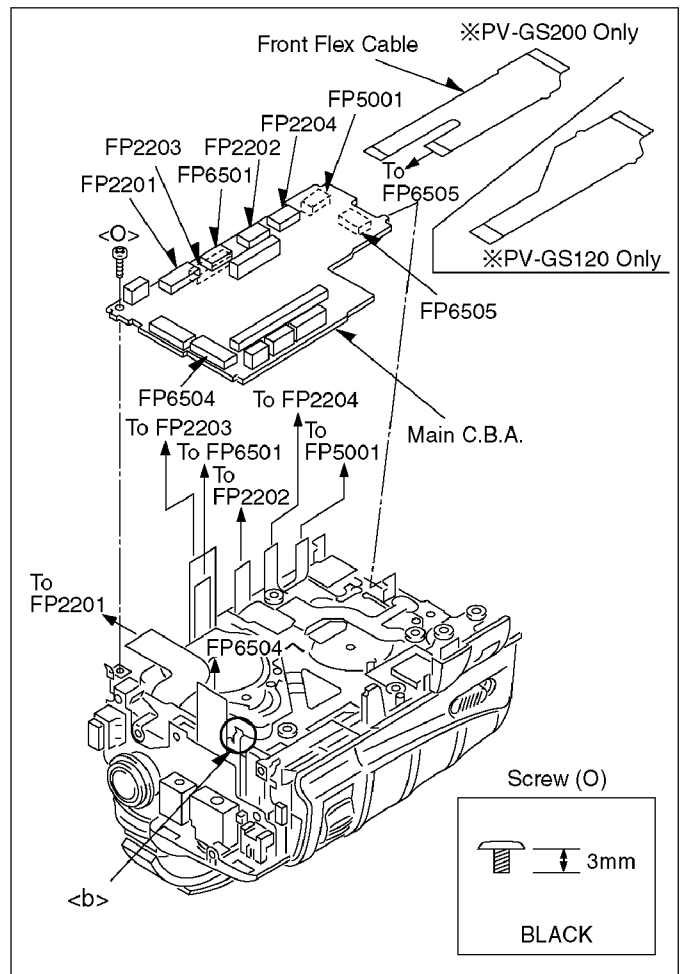


Fig. D12

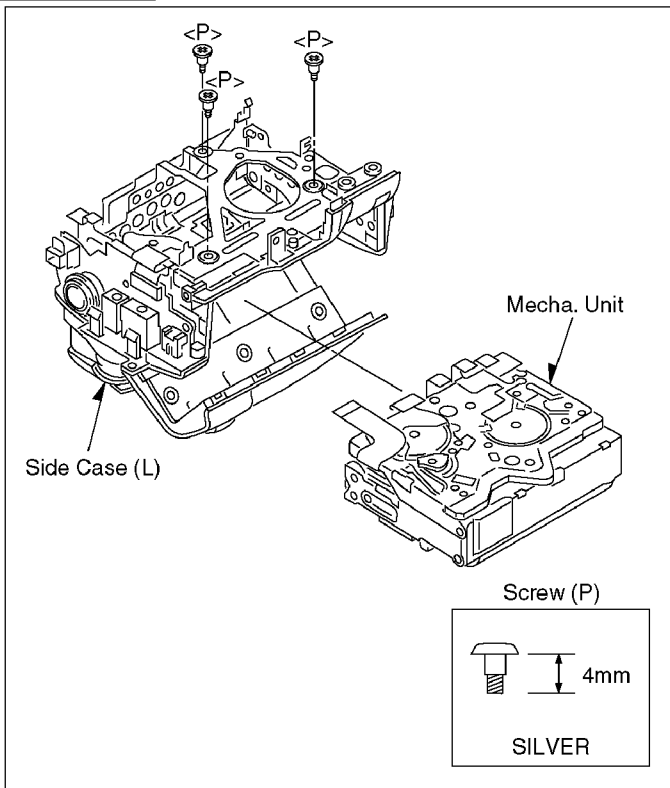


Fig. D13

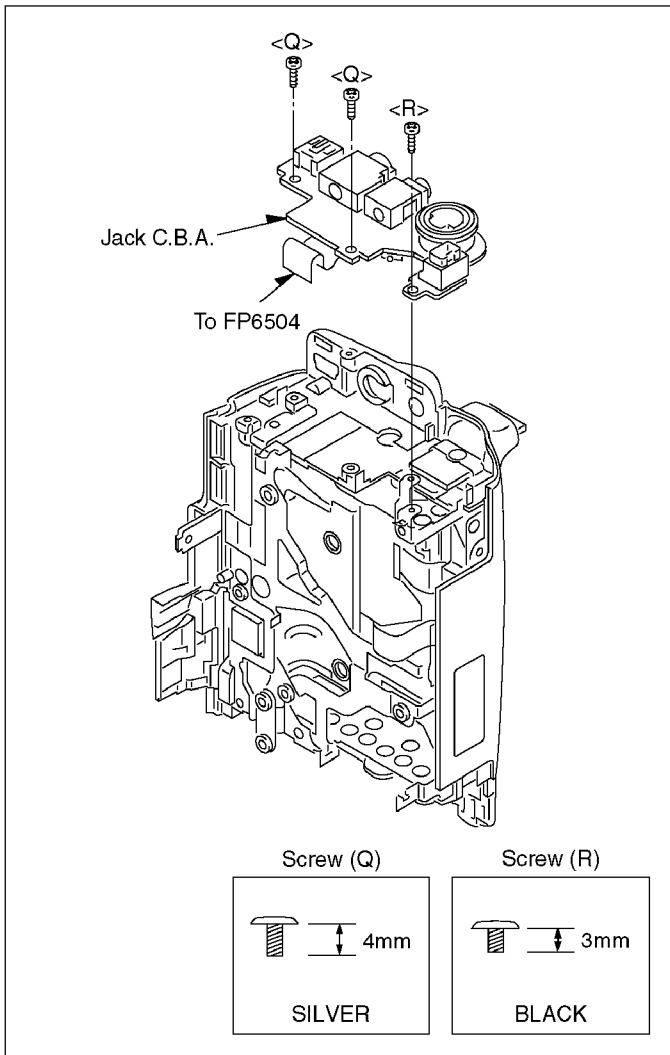
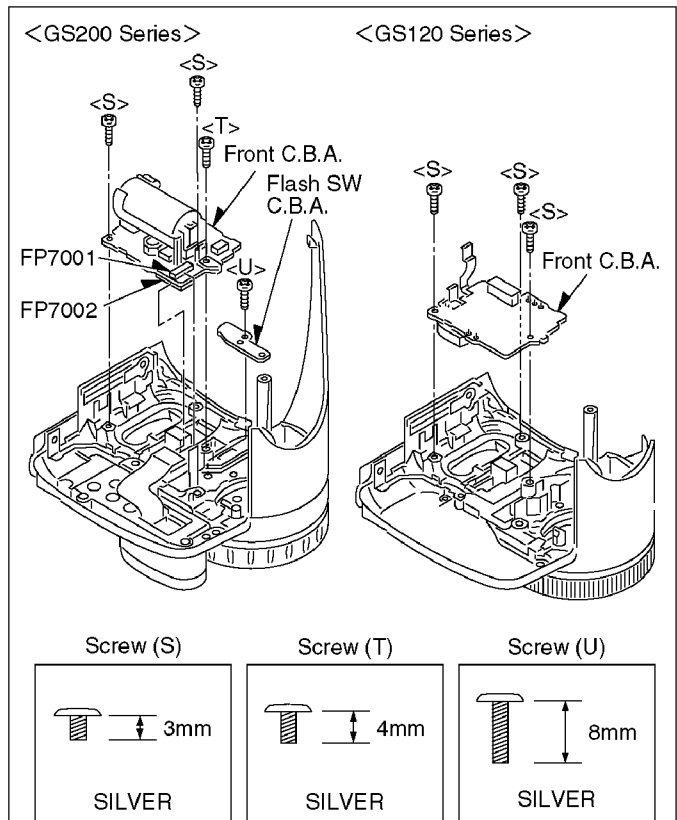


Fig. D14



CAUTION

Be sure to discharge the capacitor on Front C.B.A. before disassembling.

CAUTION

Be careful of the high voltage circuit on Front C.B.A. when servicing.

Method:

1. Prepare the 2 Resistors (ERG2SJ221:220 ohm/2w) for discharge.

Note:

2. Make short circuit using 2 Resistors between C7004(+) and C7004(-) for 3 seconds as follows.
3. After discharging, confirm that the capacitor voltage is sufficiently lowered using a voltmeter.

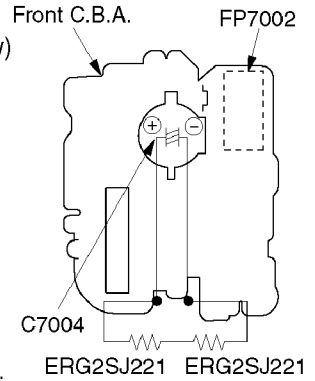


Fig. D15

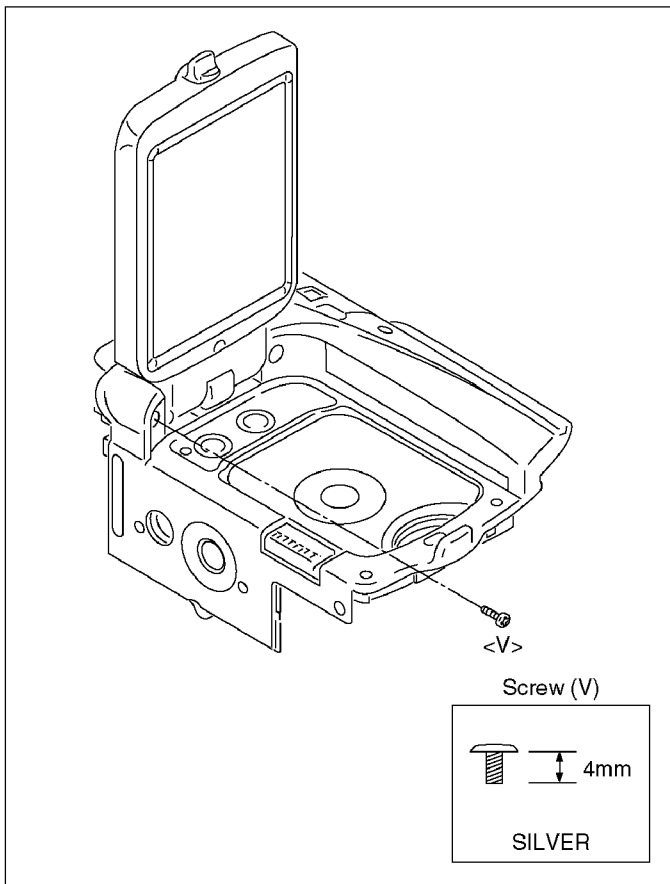


Fig. D16

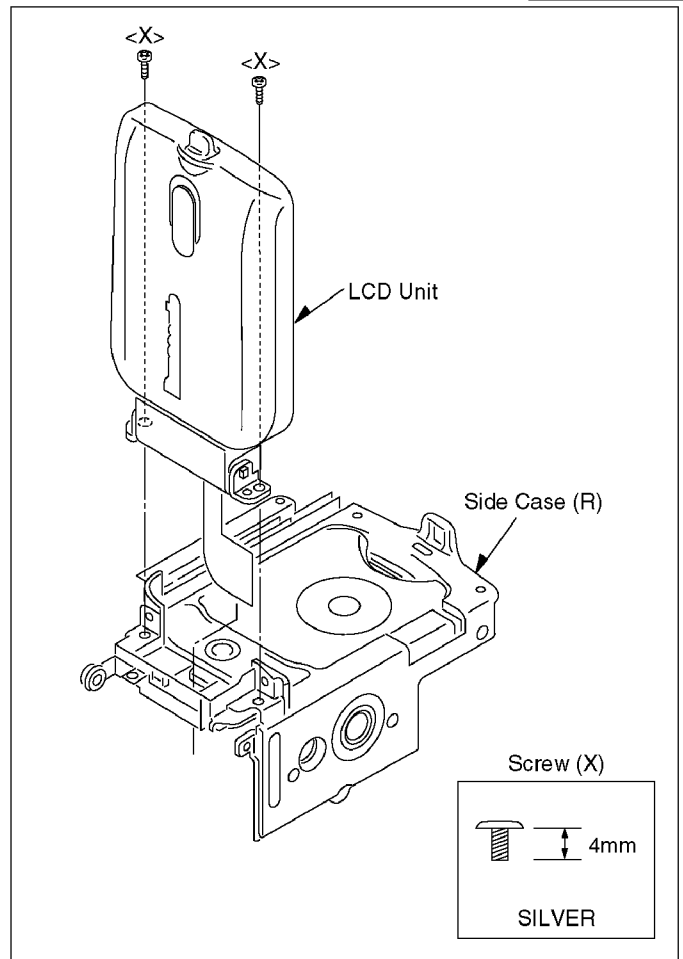


Fig. D18

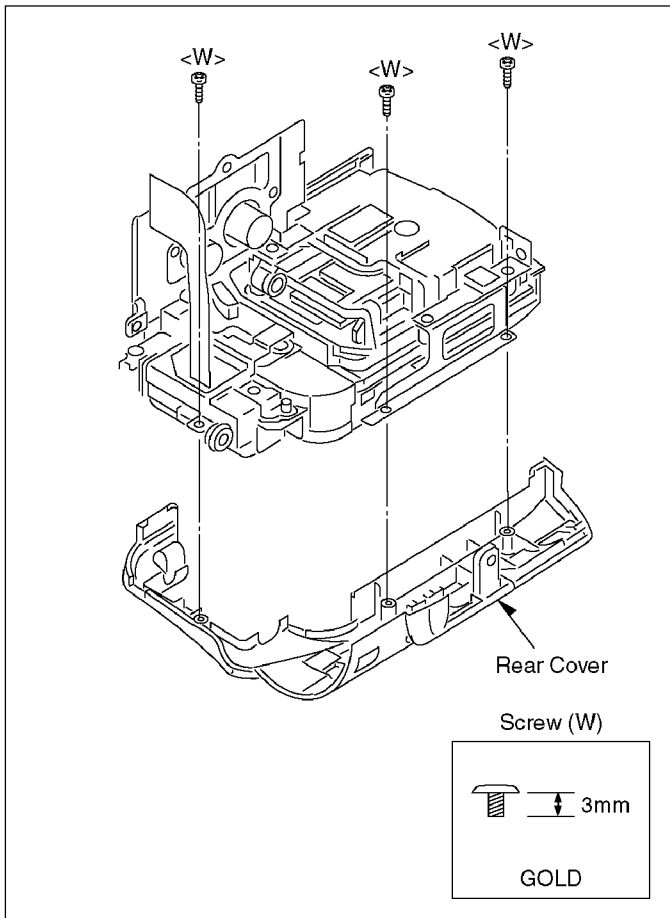


Fig. D17

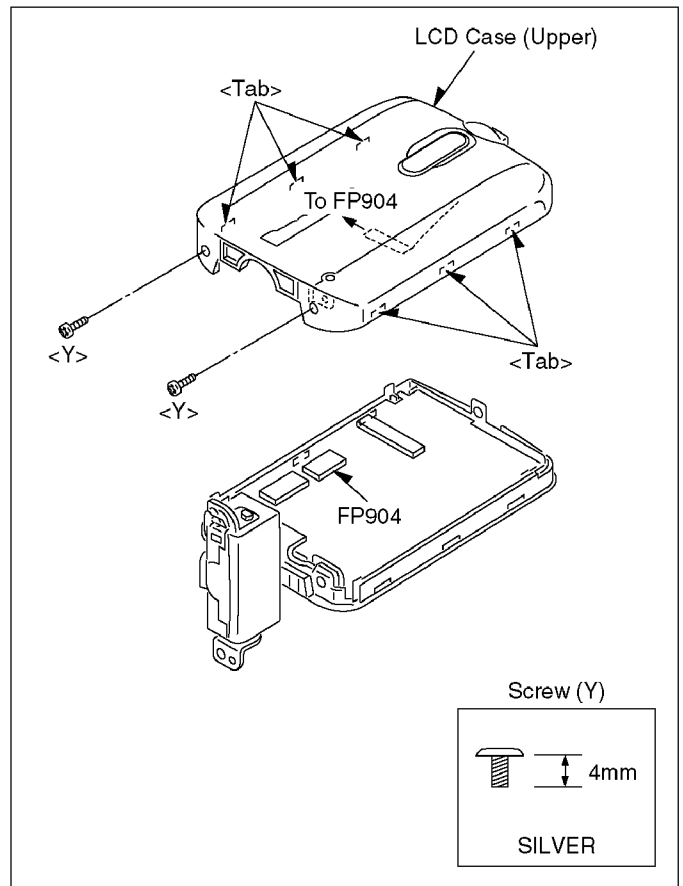


Fig. D19

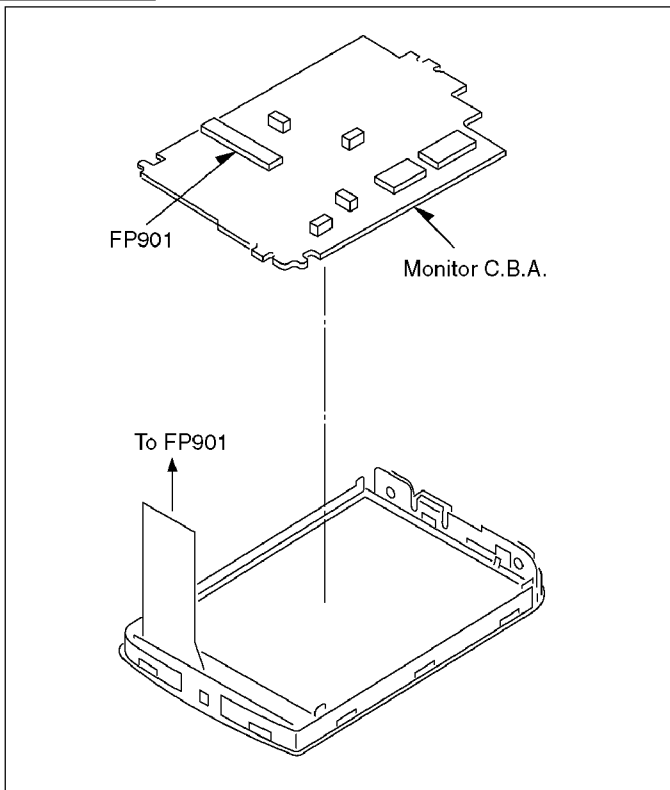


Fig. D20

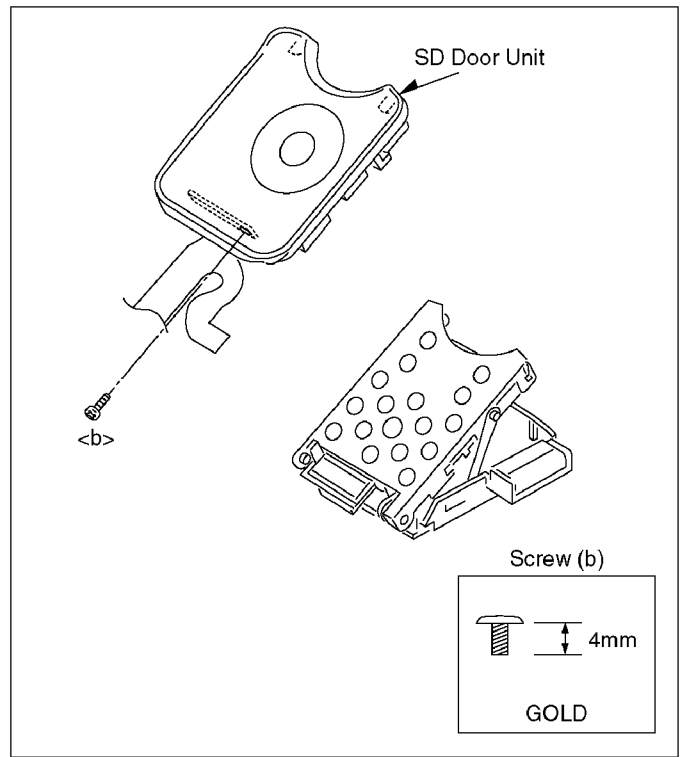


Fig. D22

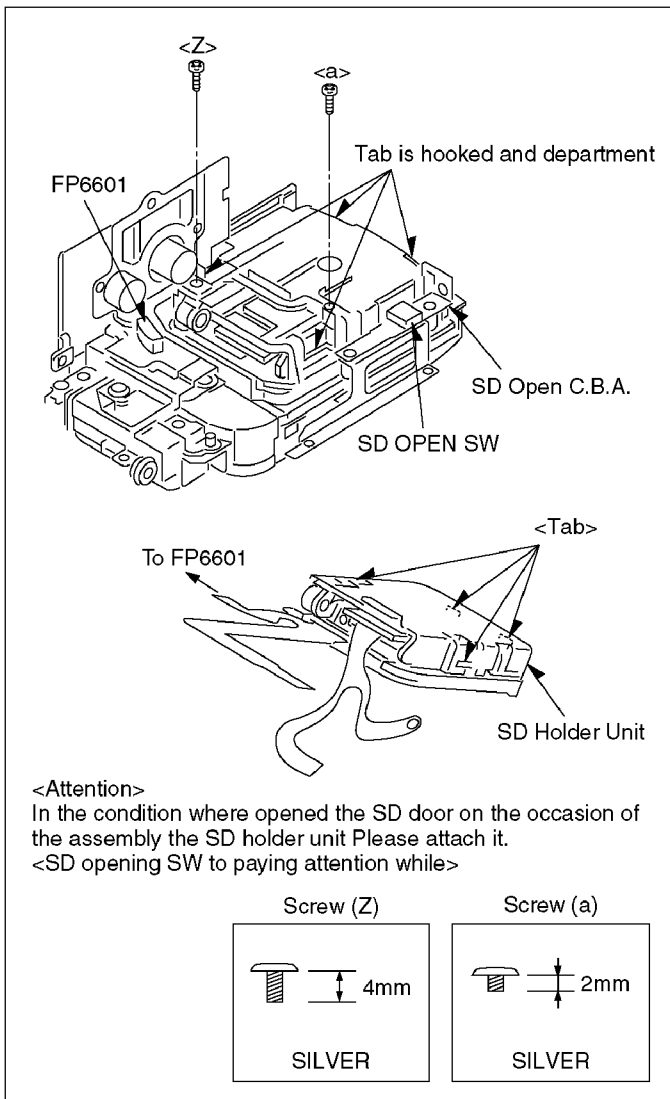


Fig. D21

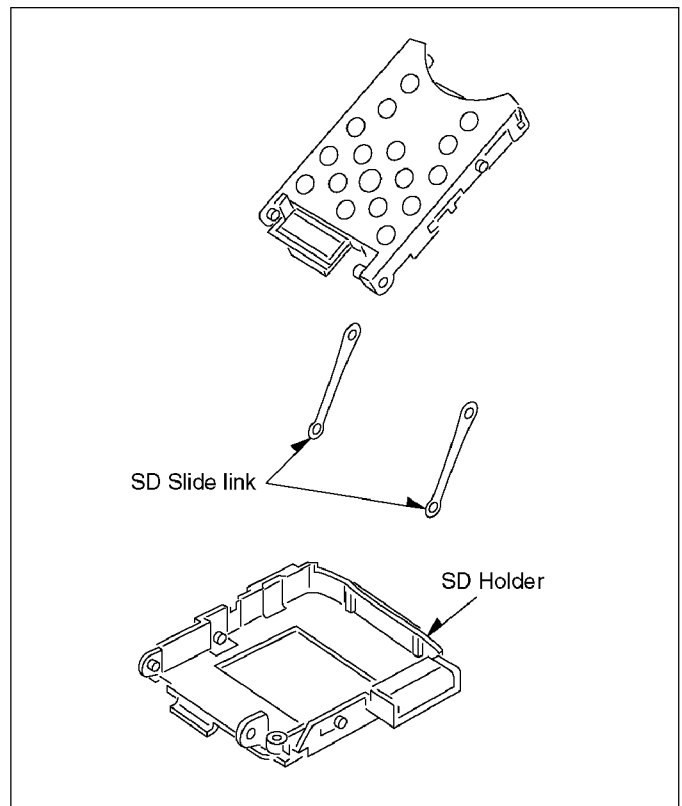


Fig. D23

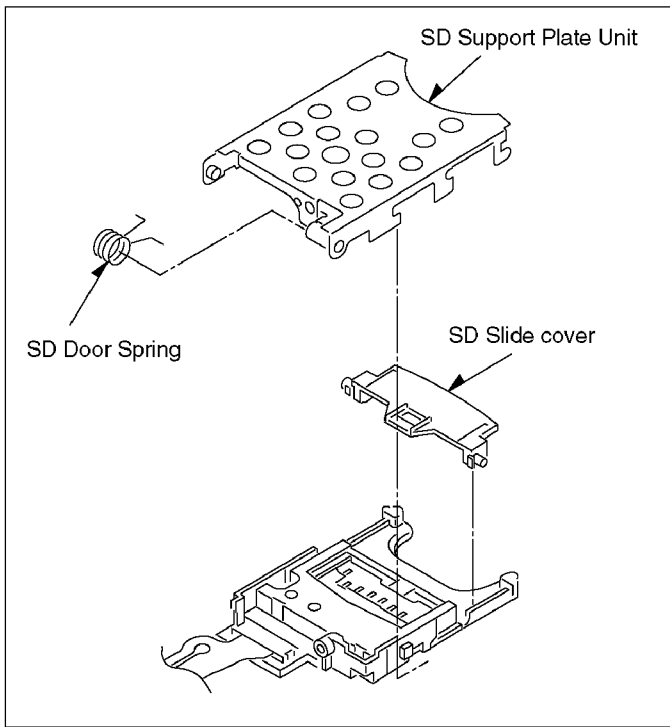


Fig. D24

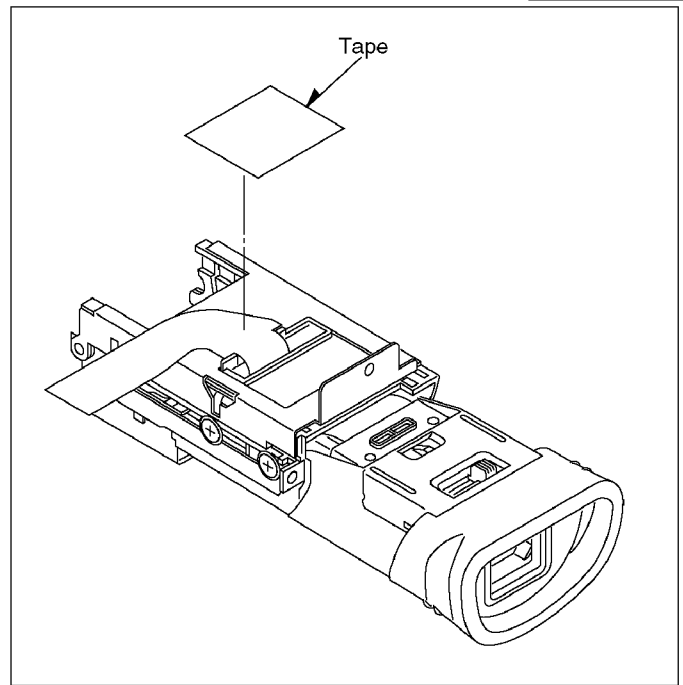


Fig. D26

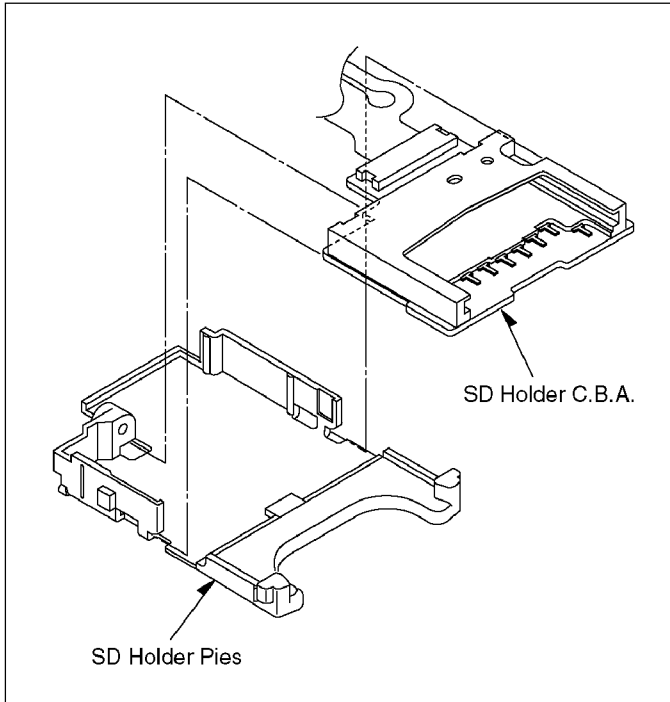


Fig. D25

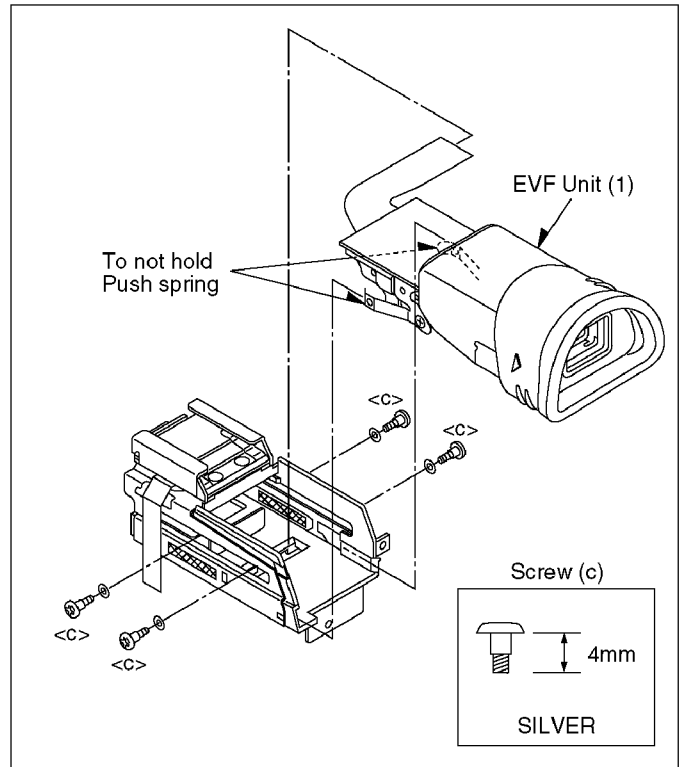


Fig. D27

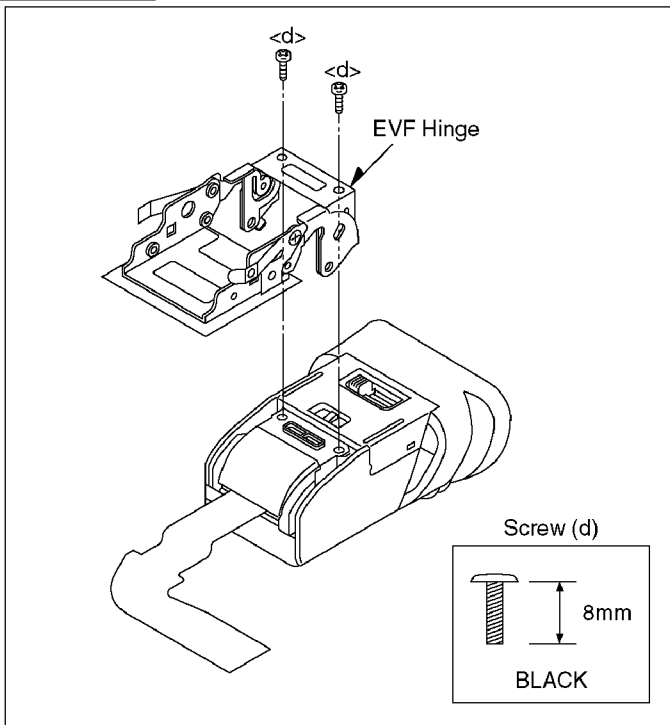


Fig. D28

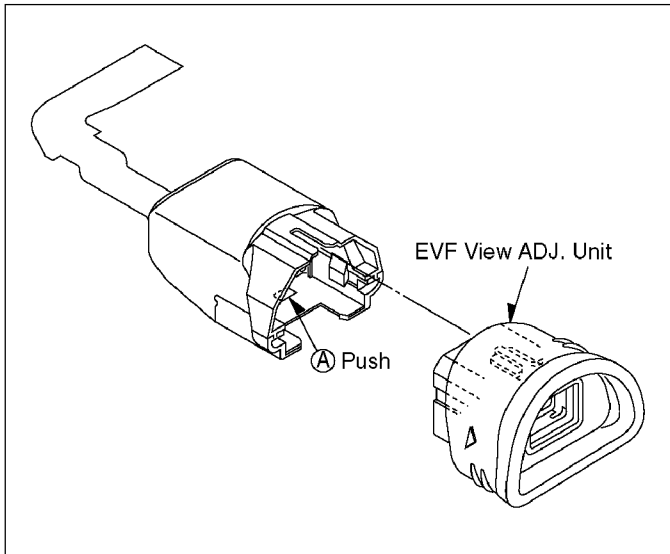


Fig. D29

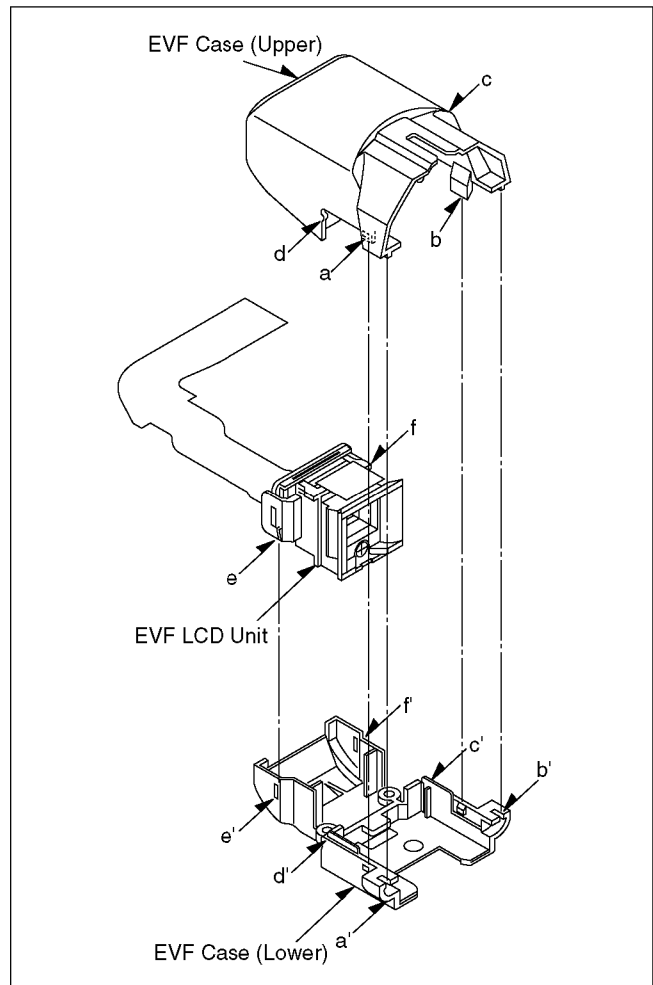


Fig. D30

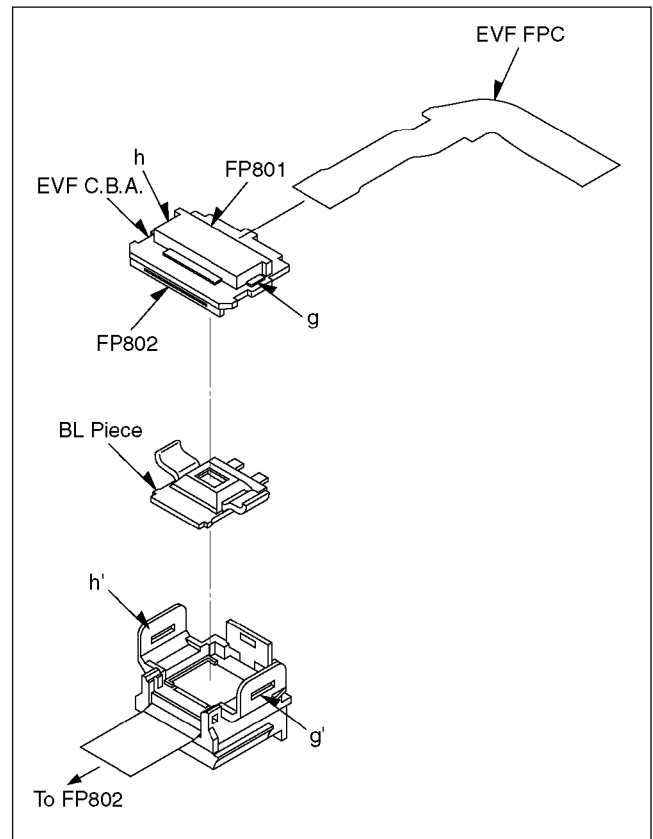


Fig. D31

6.3. DISASSEMBLY PROCEDURES MECHA. UNIT

Flow-Chart for Disassembly Procedures

No.	Item / Part	Fig.	Removal (Screw, Connector, Flex. & Other)
1	Cassette Up Unit	Fig. M1	It makes the mechanism position in Eject condition (For Battery)
		Fig. M2	3-Screws (A)
		Fig. M3	3-Tabs
		Fig. M4	It remove the piece arrangement unit from rail department
2	Cylinder Unit	Fig. M5	1-Screw (B)
		Fig. M6	3-Screw (C) Cylinder Unit

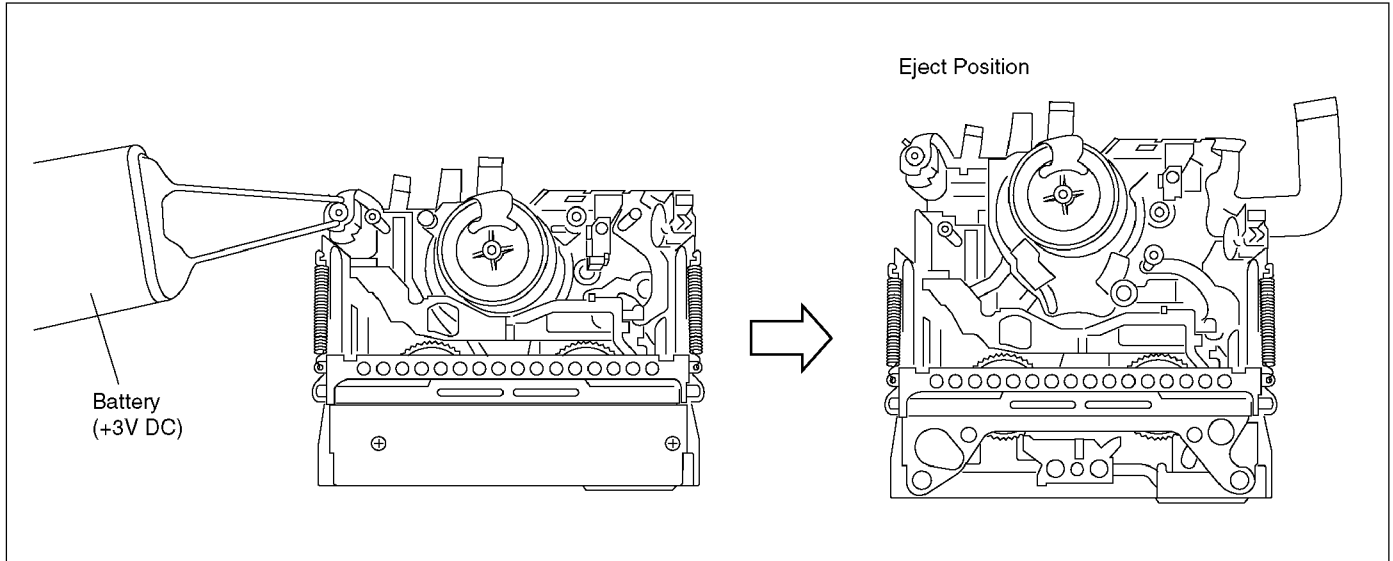


Fig. M1

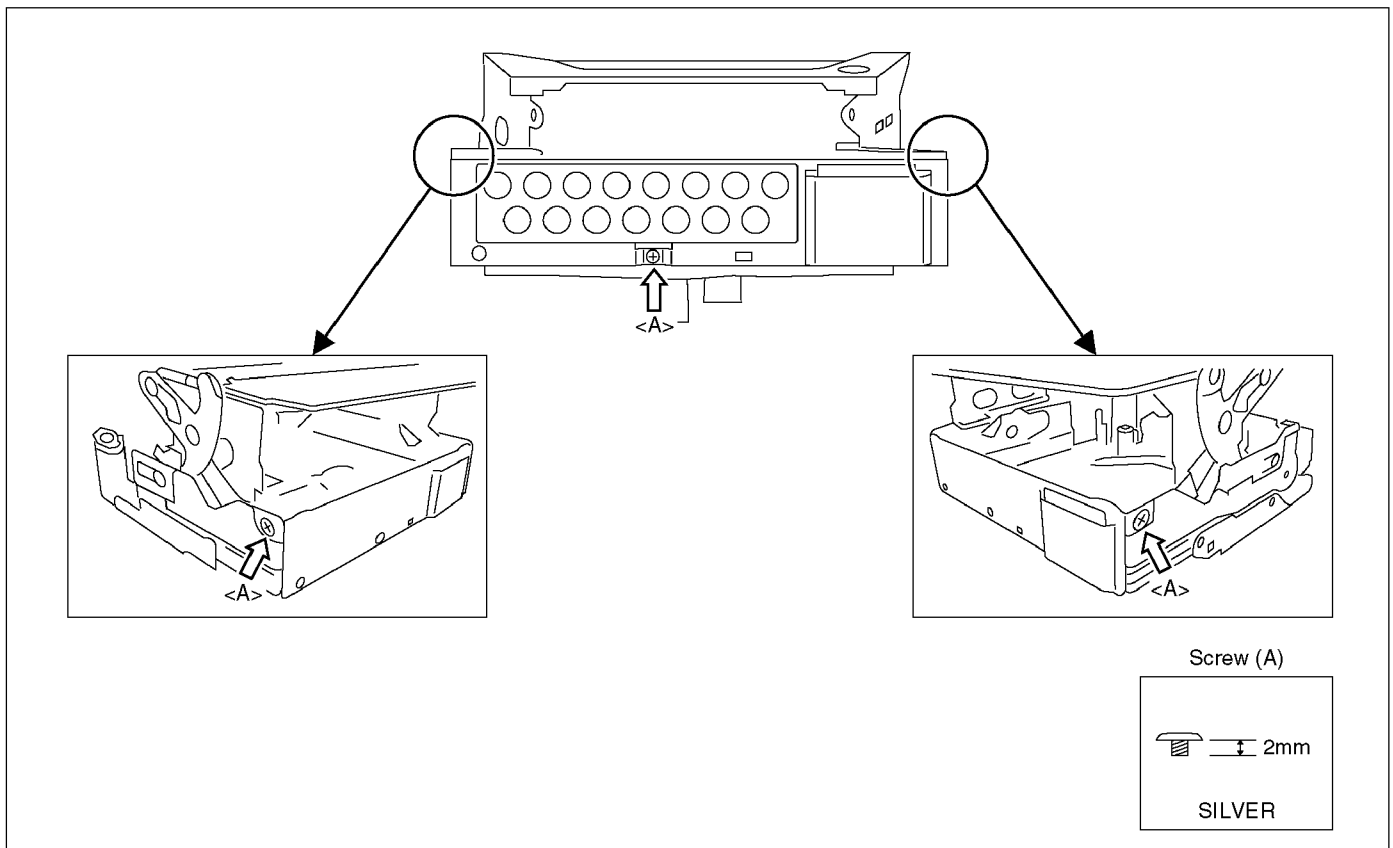


Fig. M2

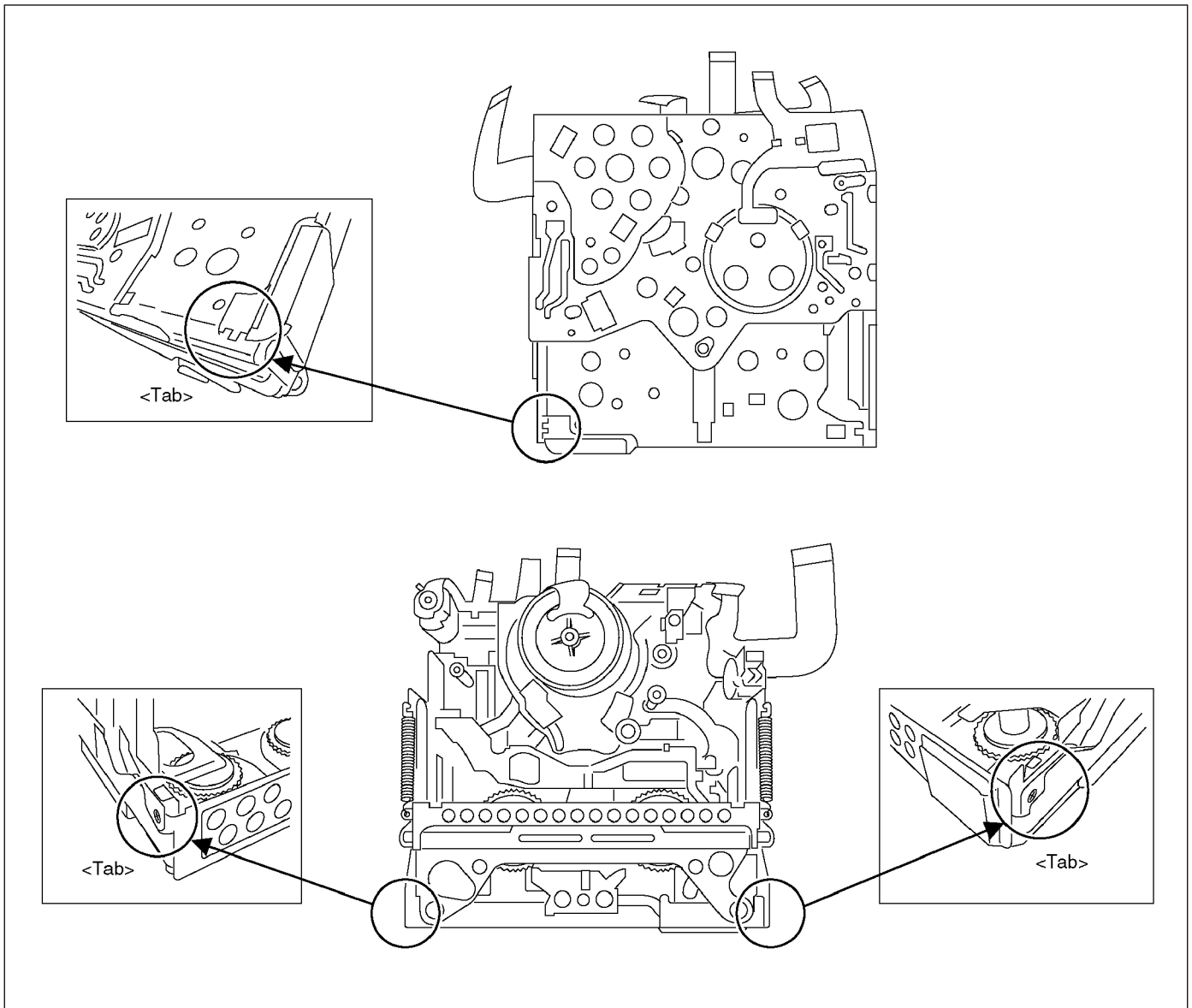
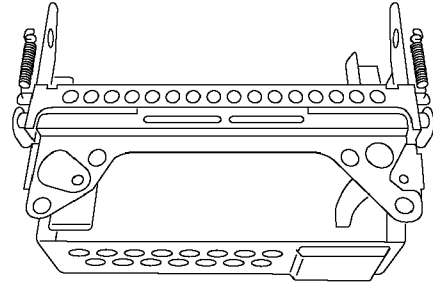
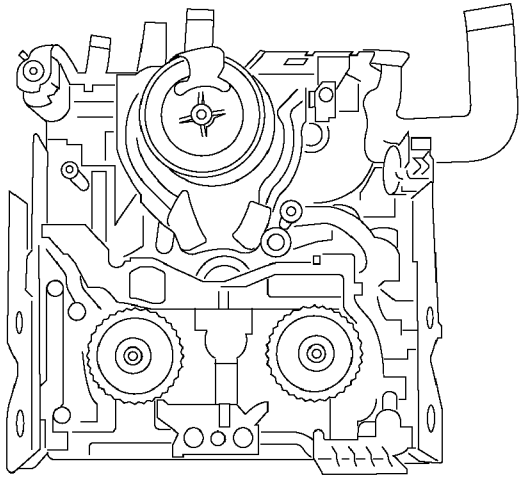
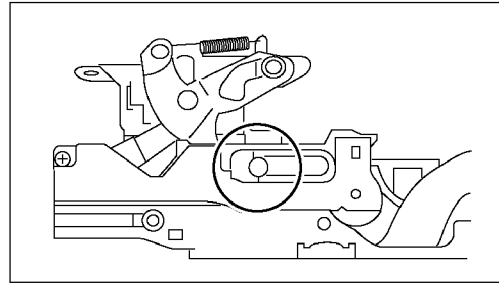
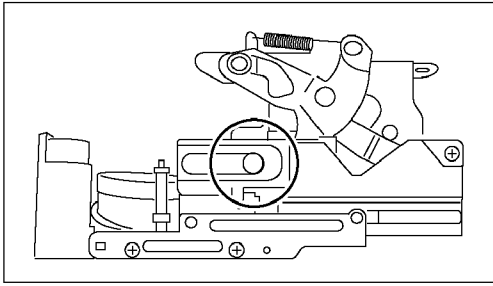
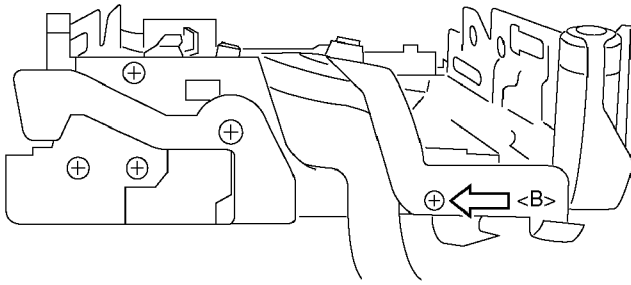


Fig. M3



Cassette Up Unit

Fig. M4



Screw (B)

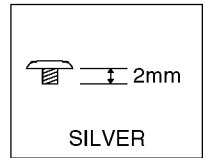


Fig. M5

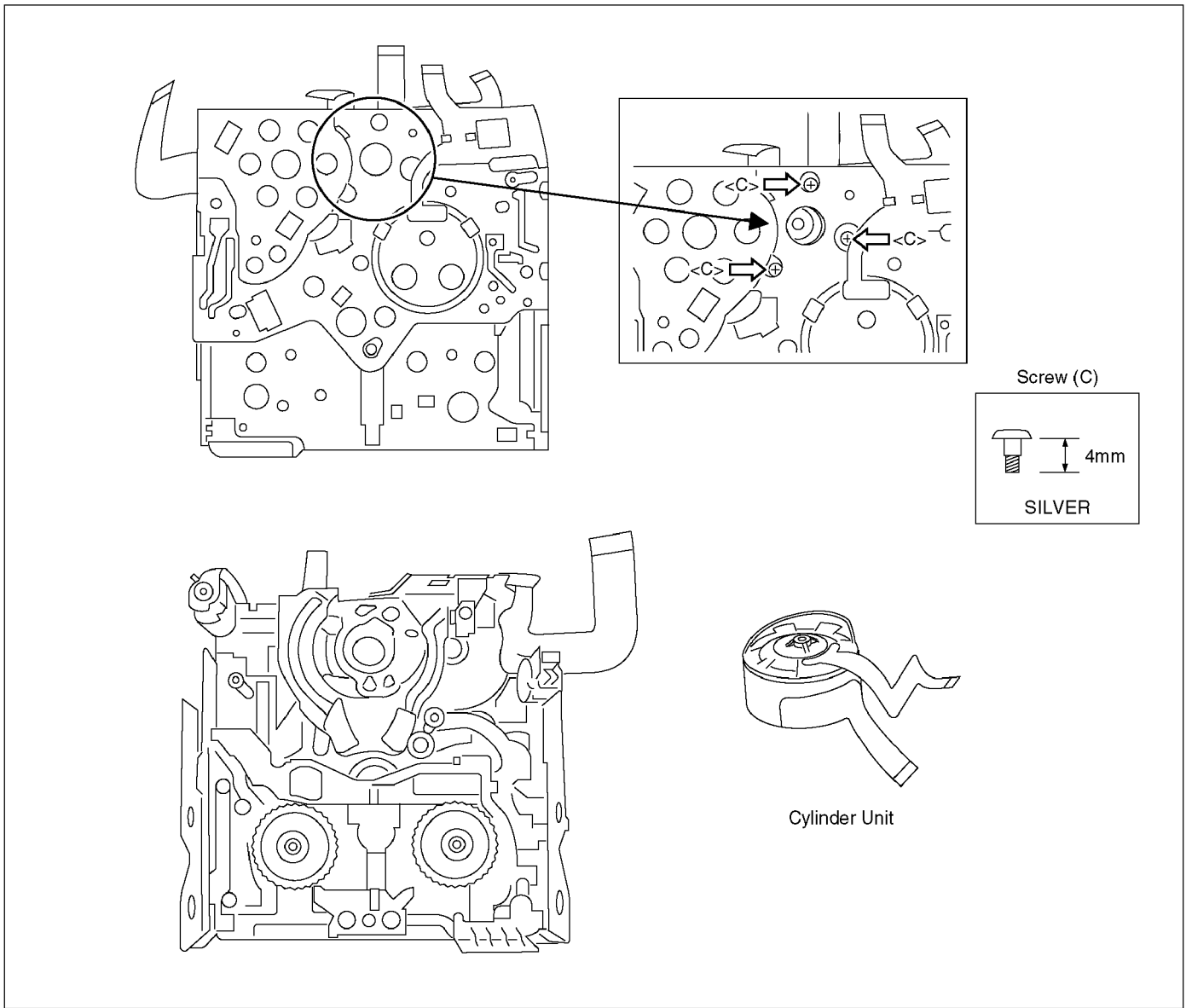


Fig. M6

6.4. DISASSEMBLY PROCEDURES OF CAMERA LENS UNIT

The following flowchart describes order or steps for removing the Camera lens unit and certain printed circuit boards in order to make access to the item needing service.

To reassemble the unit follow the steps in reverse order.

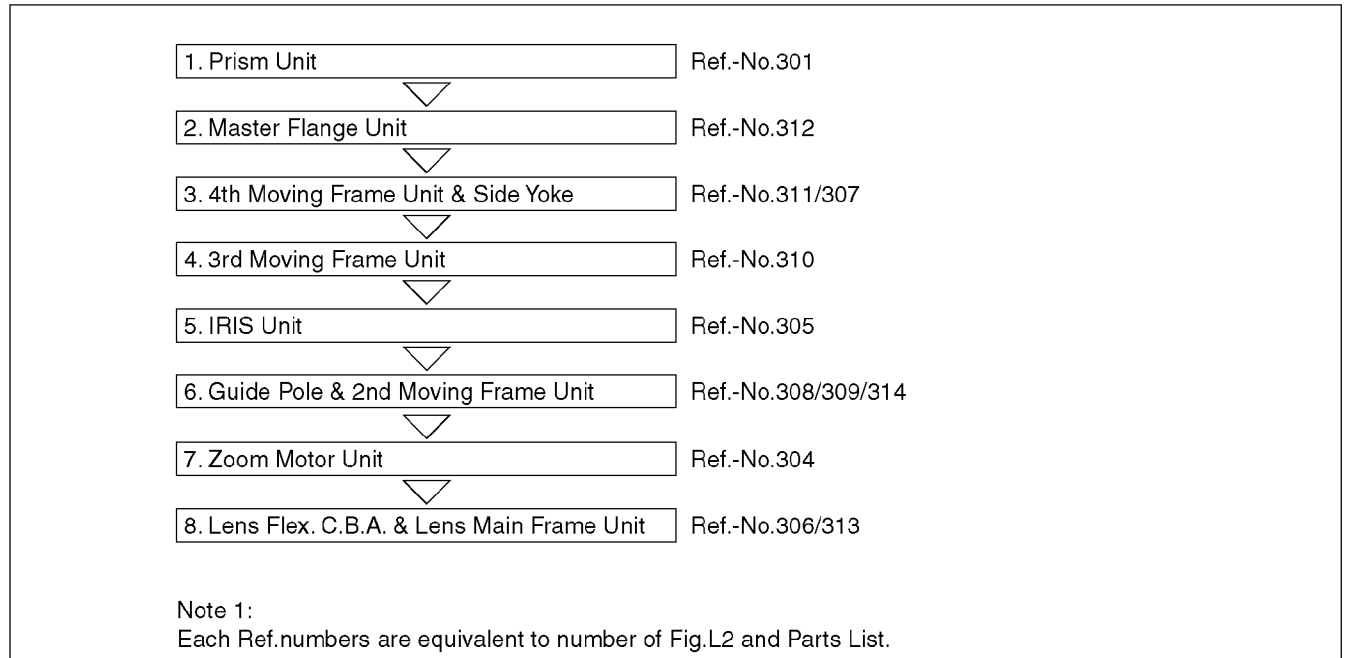


Fig. L1

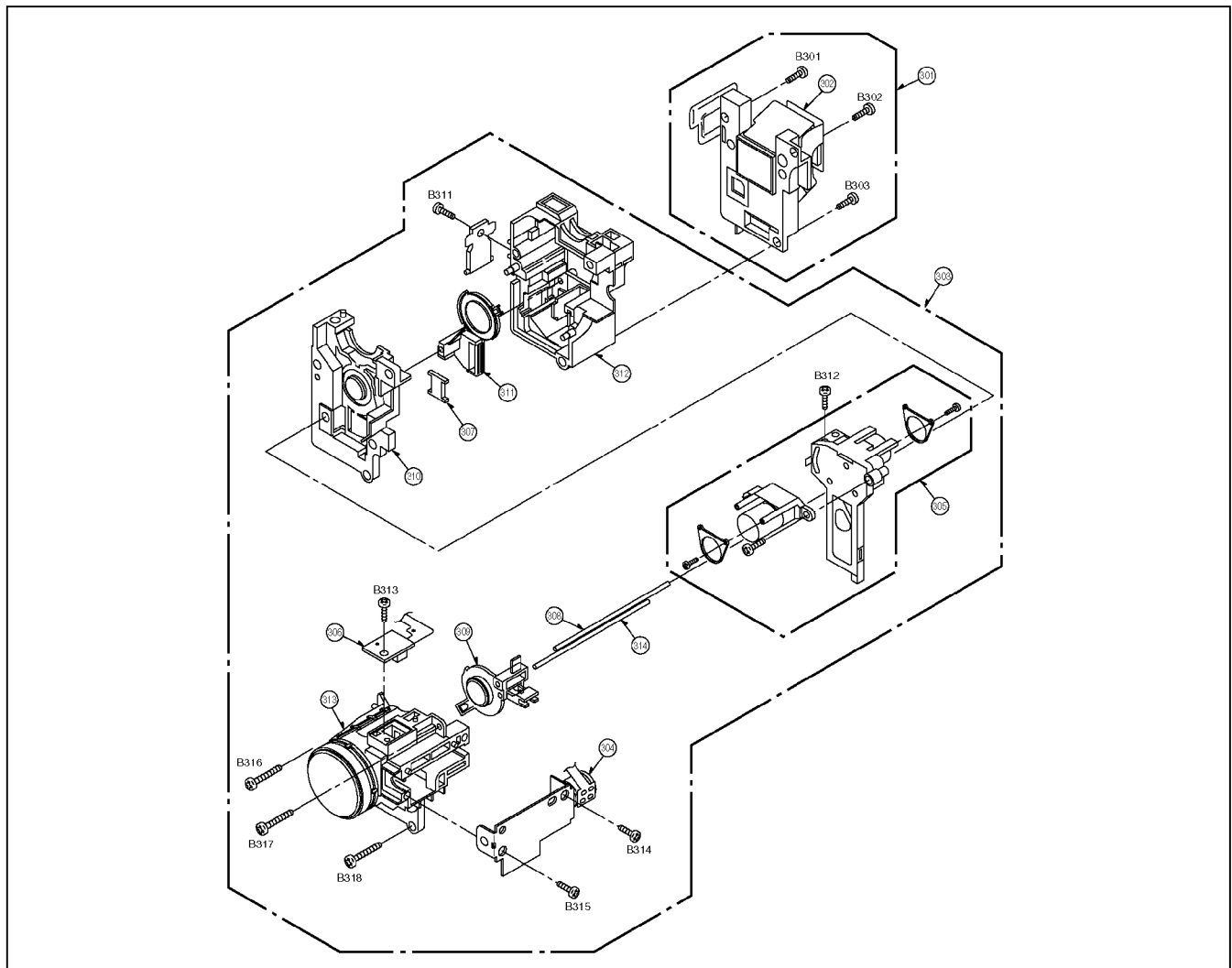


Fig. L2

7 SERVICE CAUTION

7.1. HOW TO DISCHARGE THE CAPACITOR ON FRONT C.B.A.

CAUTION

Be sure to discharge the capacitor on Front C.B.A. before disassembling.

CAUTION

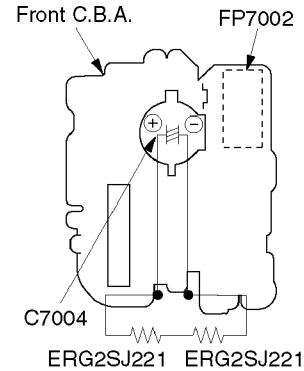
Be careful of the high voltage circuit on Front C.B.A. when servicing.

Method:

1. Prepare the 2 Resistors (ERG2SJ221:220 ohm/2w) for discharge.

Note:

- Above 2 Resistors may be substituted with equivalent type.
2. Make short circuit using 2 Resistors between C7004(+) and C7004(-) for 3 seconds as follows.
3. After discharging, confirm that the capacitor voltage is sufficiently lowered using a voltmeter



7.2. EEPROM DATA FOR SPARE PARTS OF THE MAIN C.B.A.

When the Main C.B.A. is replaced, the fixed and average data must be changed by Tatsujin kit according to the Movie Camera's suffix.

Then, confirm and/or adjust the VTR and Camera section one by one.

7.3. SERVICE EXTENSION CABLE FOR ALL C.B.A. INCLUDED IN MODULE UNIT

This models is required the following extension cables for all connections.

Use the following extension cables when checking or adjusting individual circuit boards.

Ref.	Part No.	Pin	Part Name	Connection	Q'ty	Remarks
(1)	VFK1440	10	Flat Cable	FP4002 (SUB) - FP4801(FRONT)	1	as PV-DV851 GS200 Only
(2)	VFK1442	21	Flat Cable	FP6505 (MAIN) - FP4801(FRONT)	1	as PV-DV851
(3)	VFK1575C3320	33	Flat Cable	FP701 (SUB) - LENS	1	as PV-DV851
(4)	VFK1453	40	Flat Cable	PS201 (SUB) - PP201(PRISM U)	1	as PV-DV953
(5)	VFK1440	10	Flat Cable	FP3402 (SUB) - HOT SHOE	1	as PV-DV851
(6)	VFK1582BF010	150	Flat Cable	PS3001 (MAIN) - PP301(SUB)	1	as PV-DC352 GS200
(6)	VFK1833	100	Flat Cable	PS3001 (MAIN) - PP301(SUB)	1	as PV-GS55 GS120
(7)	VFK1440	10	Flat Cable	FP3401 (MAIN) - SD HOLDER	1	as PV-DV851
(8)	VFK1575C3320	33	Flat Cable	FP6504 (MAIN) - FP6201(JACK)	1	as PV-DV851
(9)	VFK1443	18	Flat Cable	FP603 (MAIN) - FP801(EVF)	1	as PV-DV851
(10)	VFK1442	21	Flat Cable	FP6501 (MAIN) - FP6301(SIDE L)	1	as PV-DV851
(11)	VFK1173	14	Flat Cable	FP6502 (MAIN) - REAR OP.	1	as PV-DV851
(12)	VFK1440	10	Flat Cable	FP6503 (MAIN) - VTR OP.	1	as PV-DV851
(13)	VFK1173	14	Flat Cable	FP1001 (MAIN) - BATTERY CATCHER	1	as PV-DV851
(14)	VFK1492	26	Flat Cable	FP601 (MAIN) - FP902(MONITOR)	1	as PV-DV852
(15)	VFK1443	18	Flat Cable	FP2203 (MAIN) - MECHA SUB	1	as PV-DV851
(16)	VFK1440	10	Flat Cable	FP2002 (MAIN) - CYL DRIVE	1	as PV-DV851
(17)	VFK1441	8	Flat Cable	FP5001 (MAIN) - RT (HERD AMP) MECHA	1	as PV-DV851
(18)	VFK1443	18	Flat Cable	FP2201 (MAIN) - CAP DRIVE	1	as PV-DV851
(19)	VFK1441	8	Flat Cable	FP2204 (MAIN) - LOADING MOTOR	1	as PV-DV851

How to use extension cables.

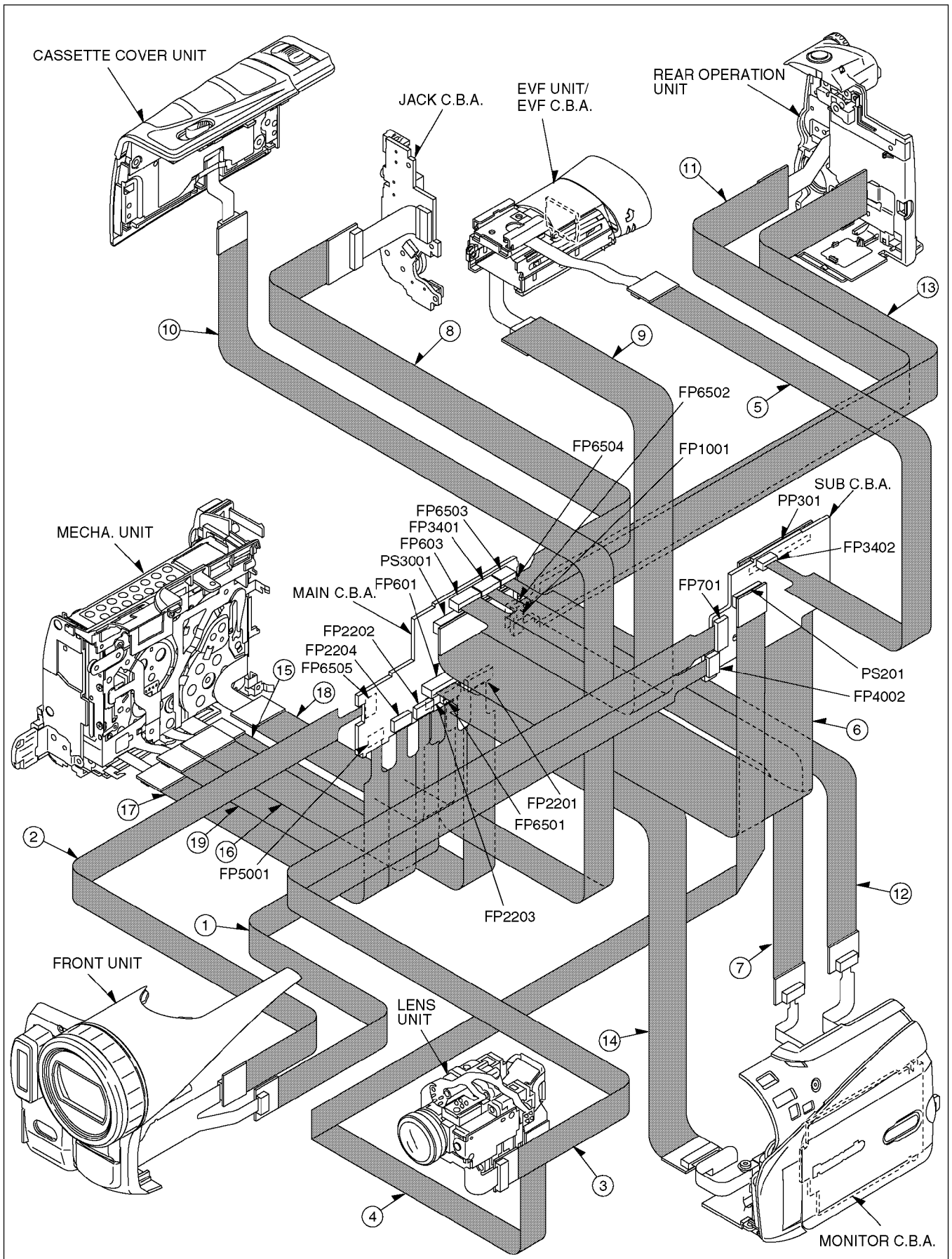
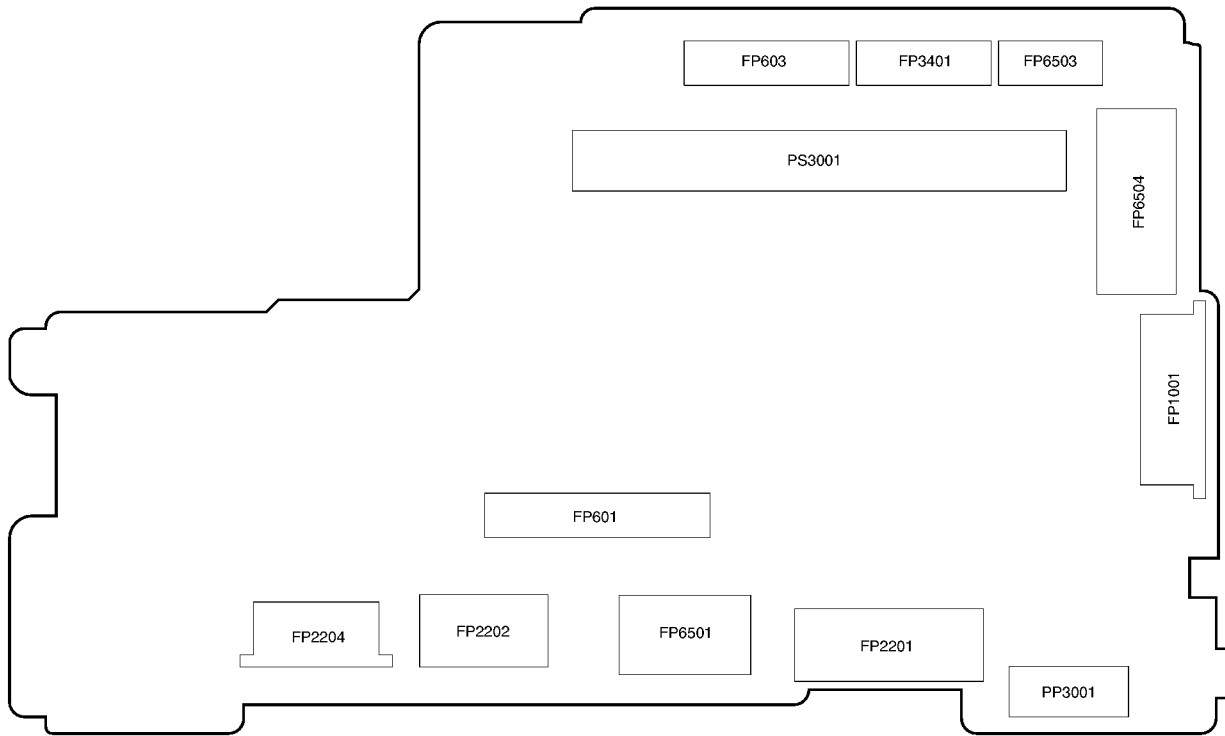


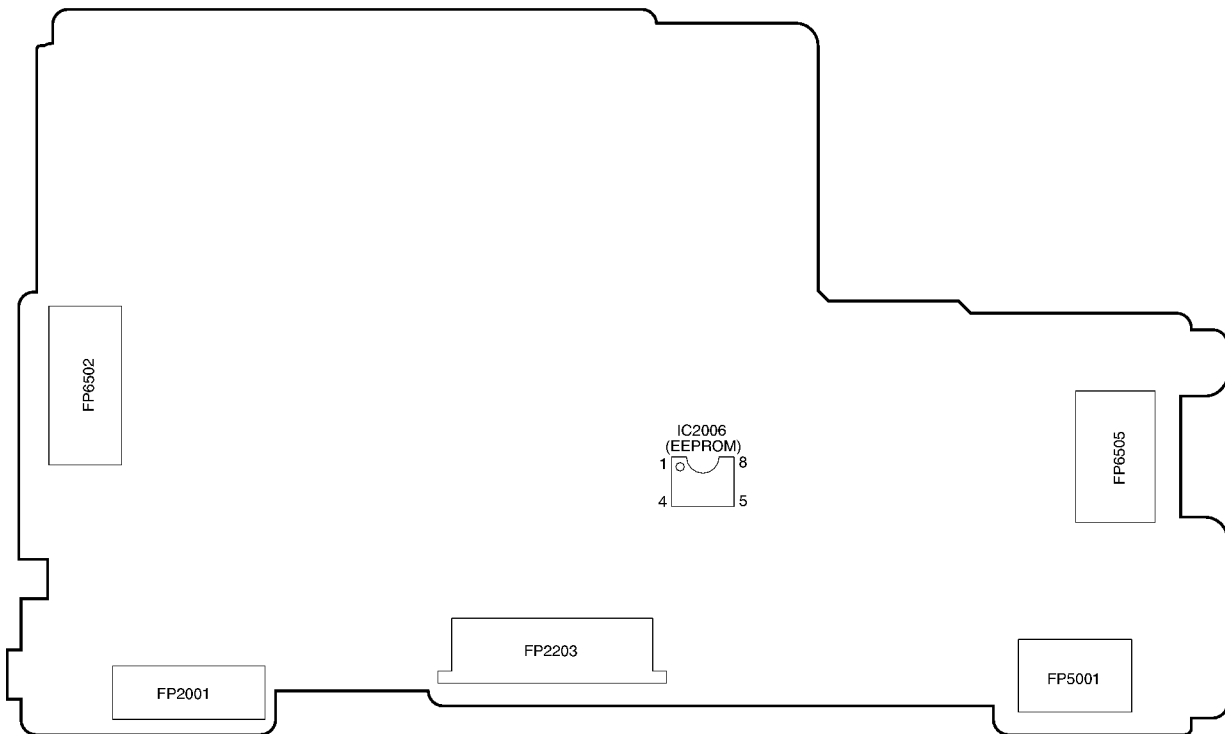
Fig. T1

7.4. LOCATION FOR SPARE CONNECTORS OF THE MAIN C.B.A. & SUB C.B.A.

7.4.1. MAIN C.B.A.

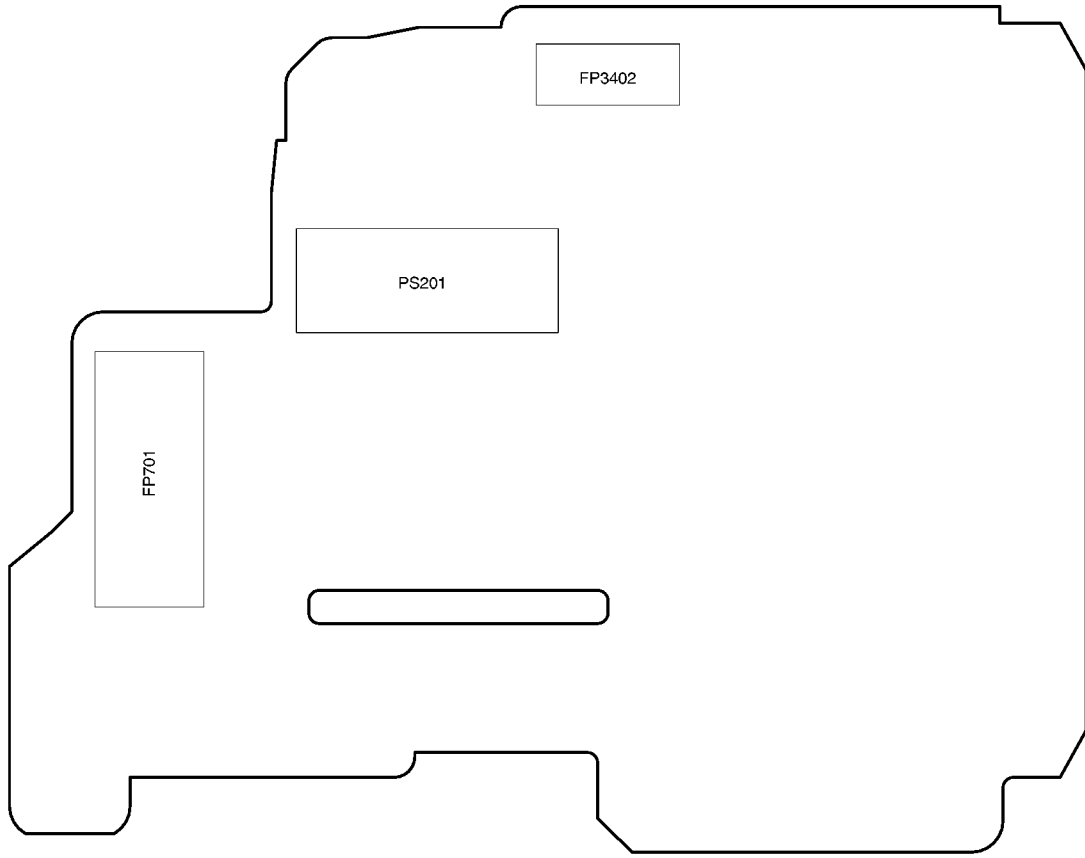


(COMPONENT SIDE)

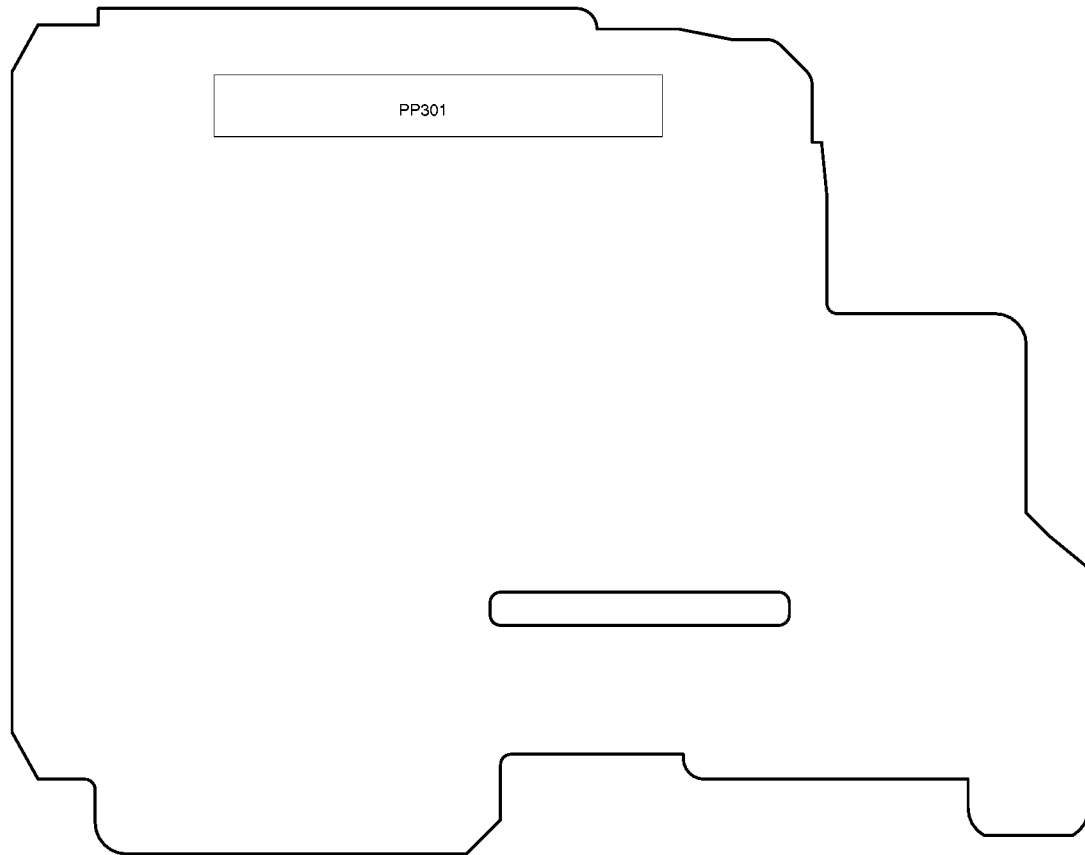


(FOIL SIDE)

7.4.2. SUB C.B.A. (PV-GS120PP ONLY)

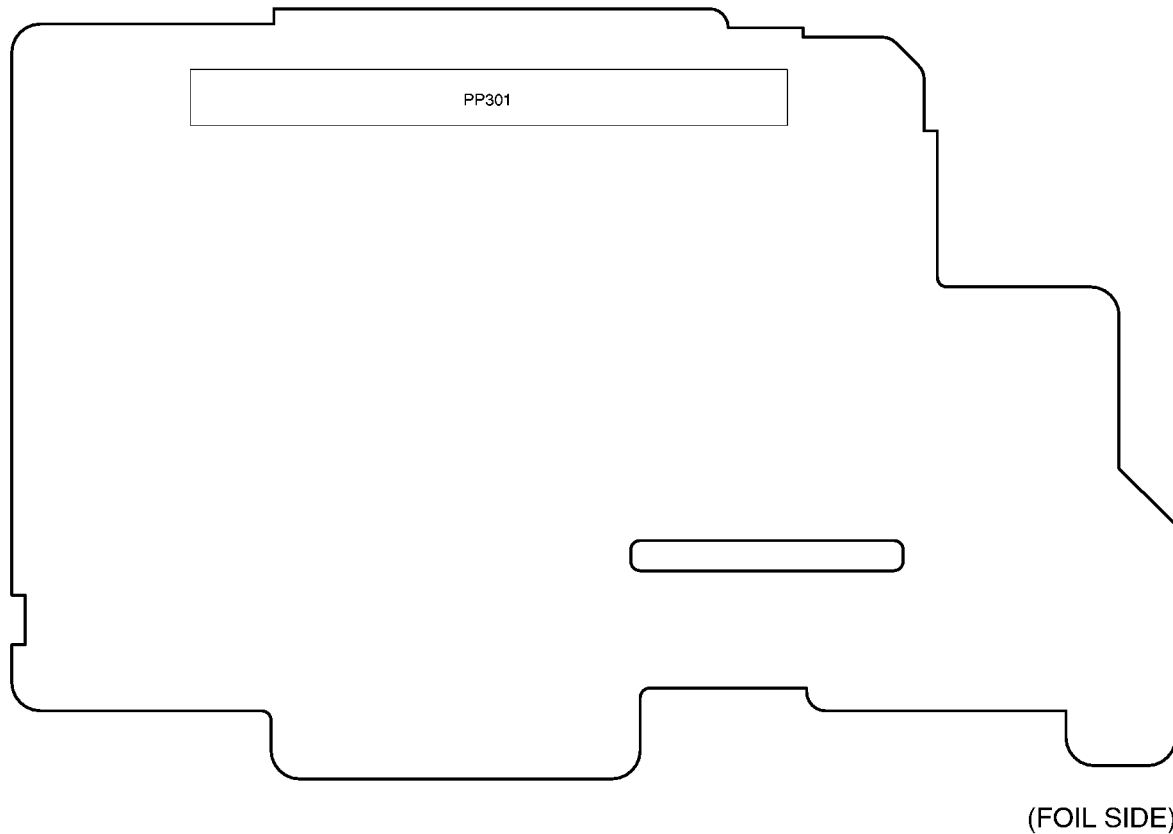
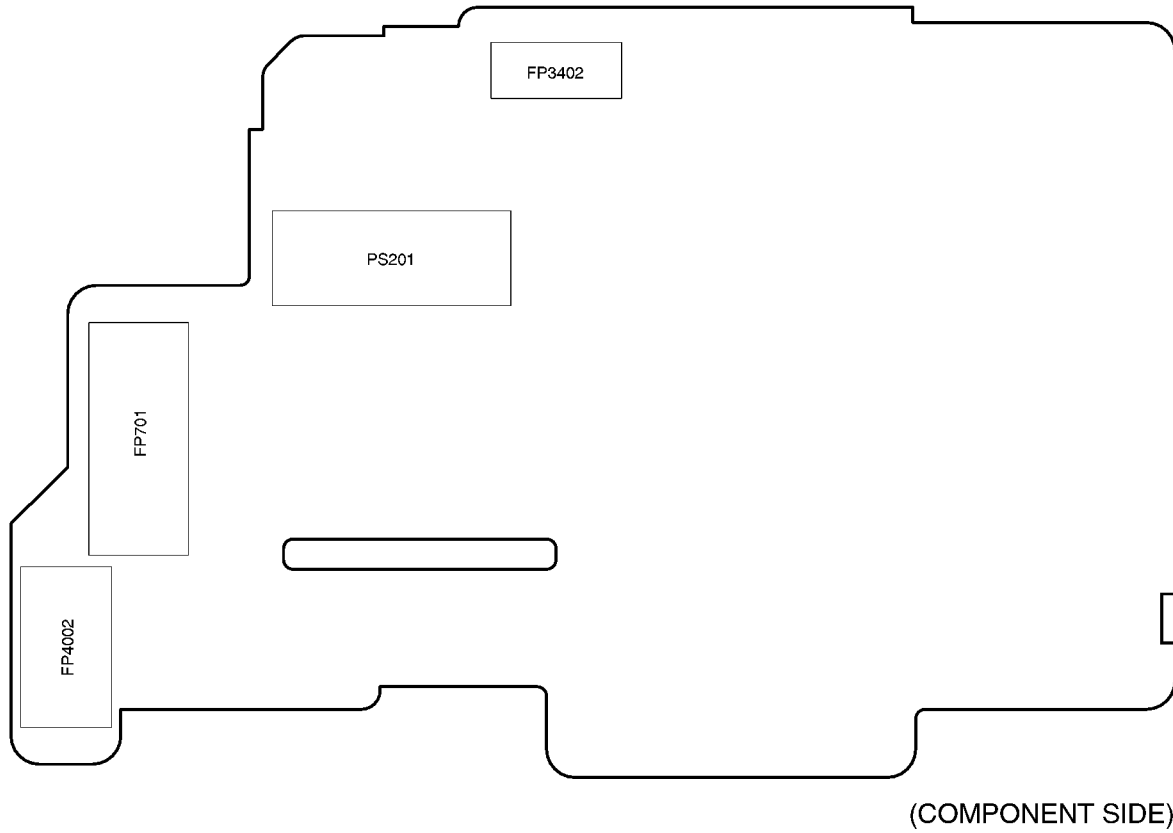


(COMPONENT SIDE)



(FOIL SIDE)

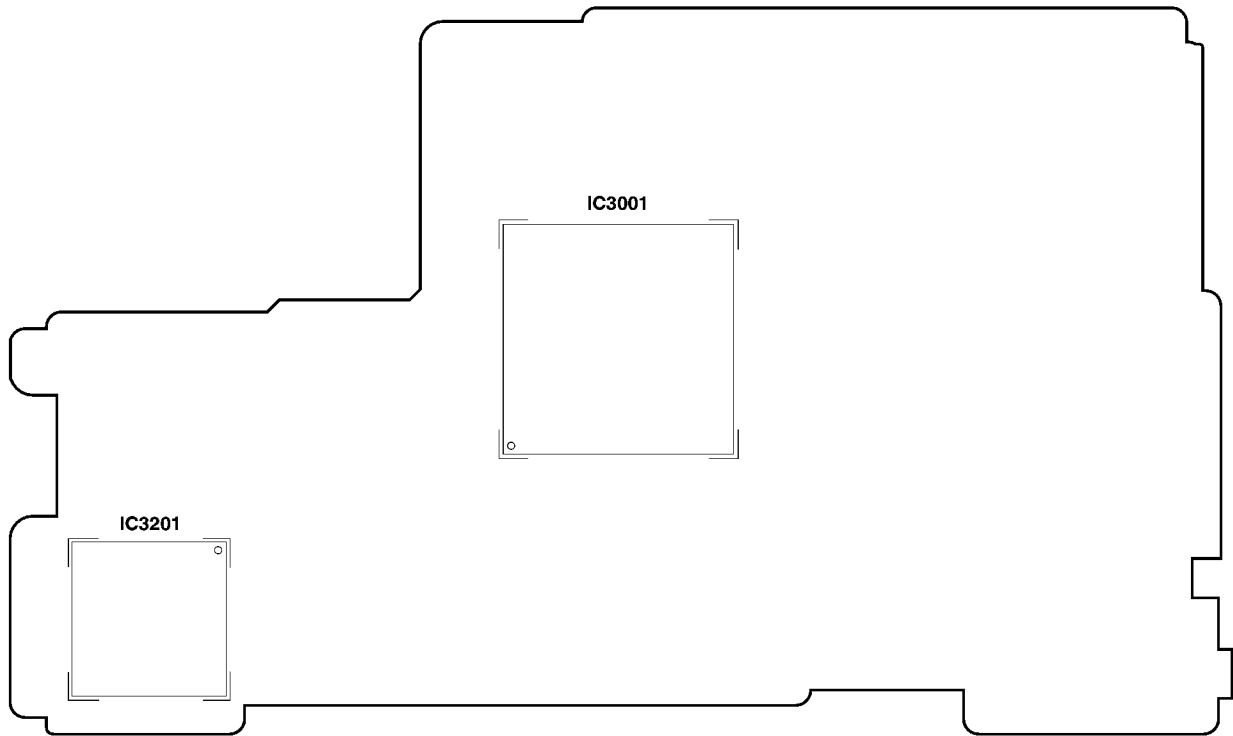
7.4.3. SUB C.B.A. (PV-GS200PP ONLY)



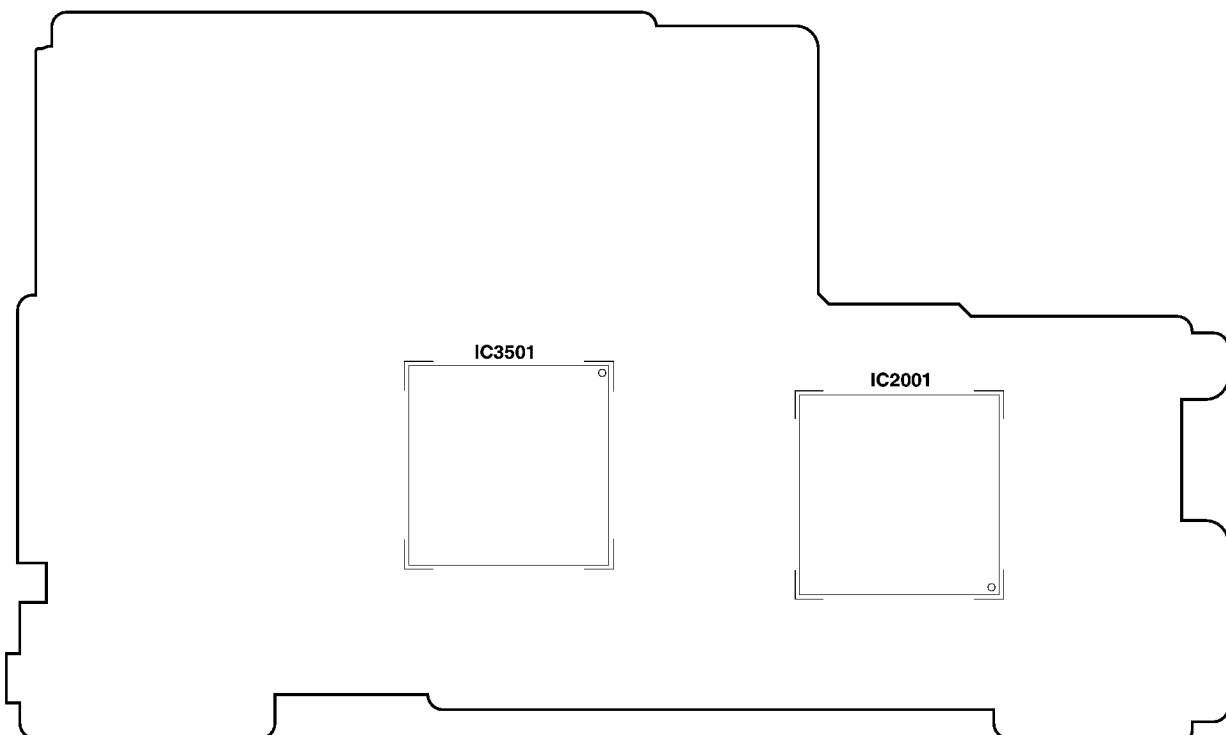
7.5. CSP IC LOCATION OF THE MAIN C.B.A. & SUB C.B.A.

Make sure to install CSP IC in the correct position of the Main C.B.A. & Sub C.B.A. as shown.

7.5.1. MAIN C.B.A.

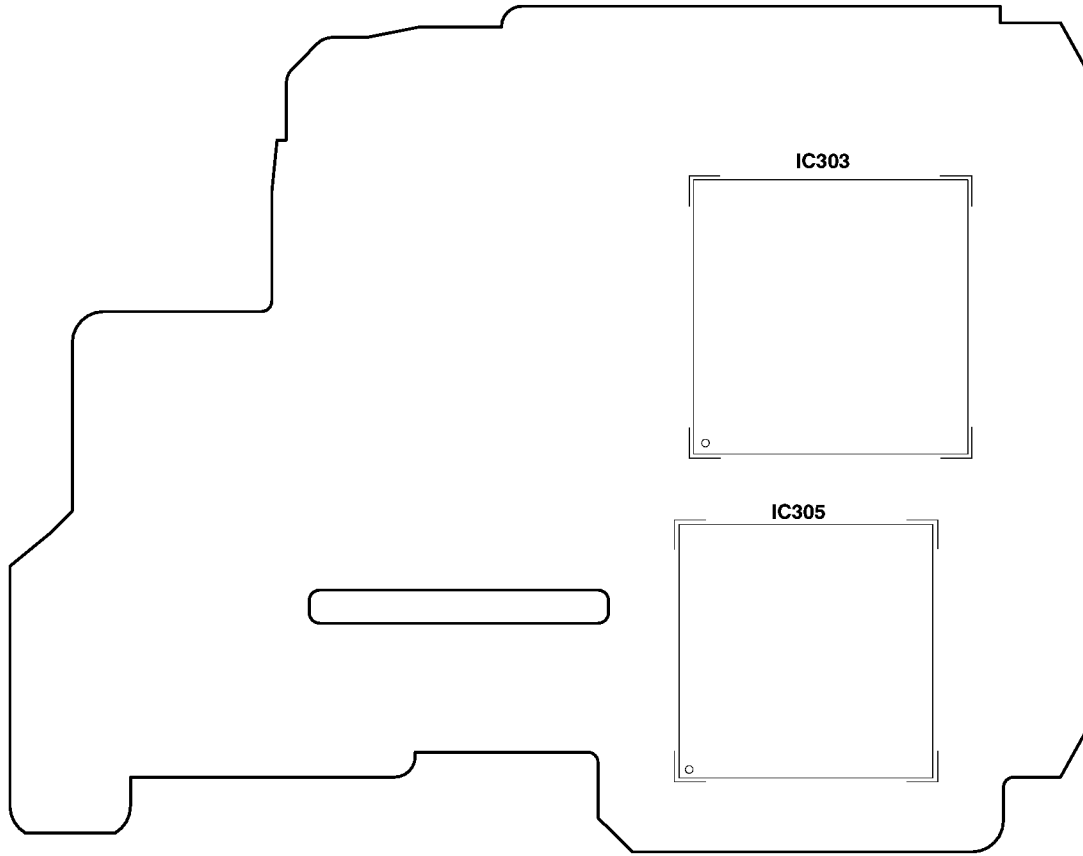


(COMPONENT SIDE)

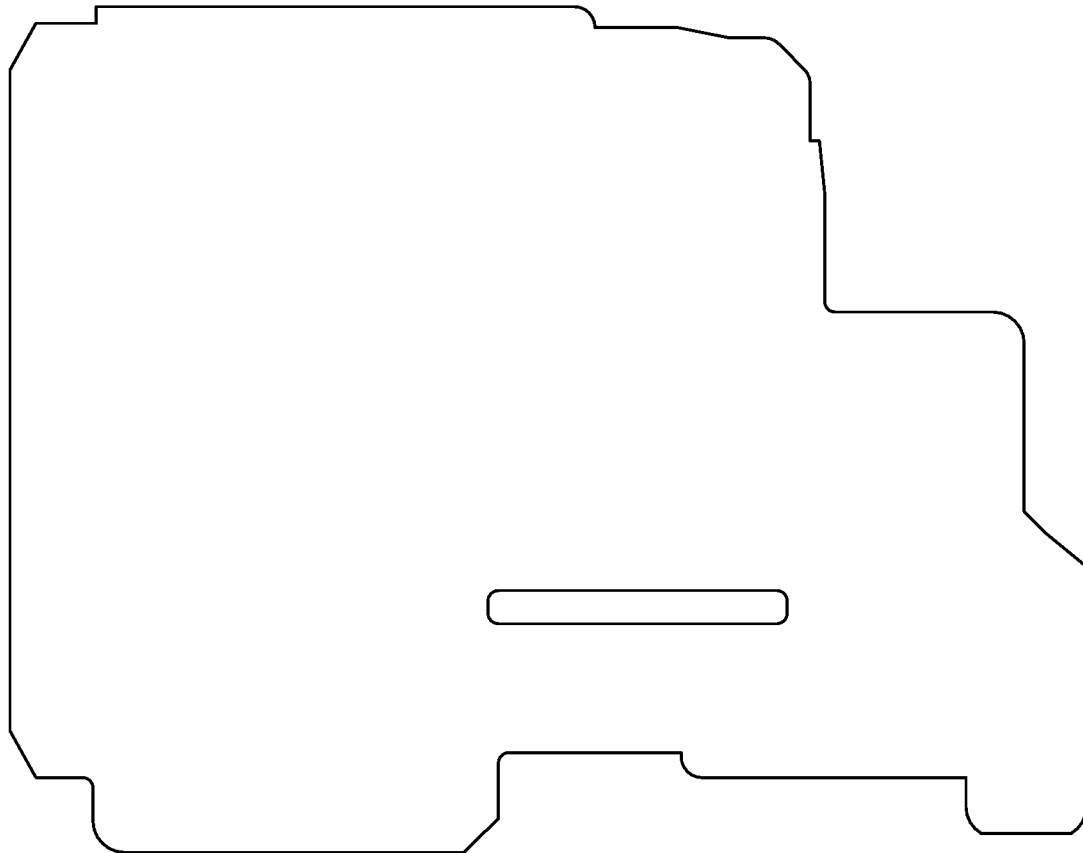


(FOIL SIDE)

7.5.2. SUB C.B.A. (PV-GS120PP ONLY)

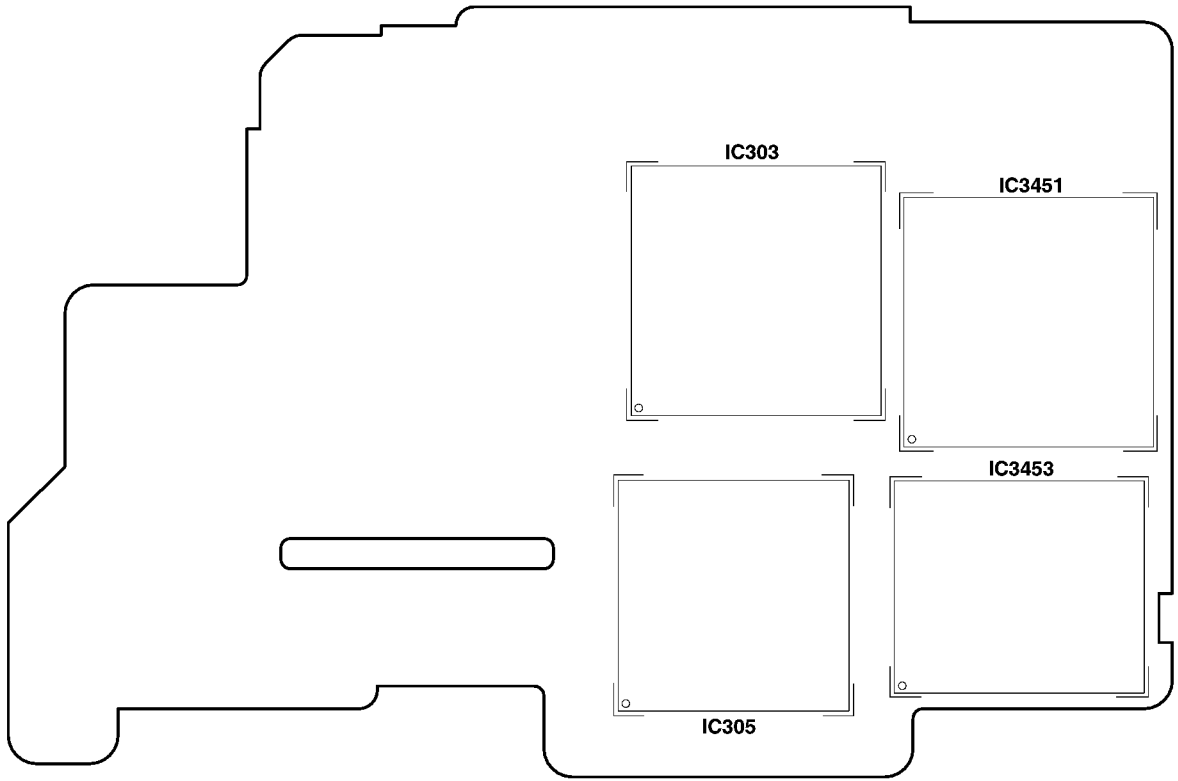


(COMPONENT SIDE)

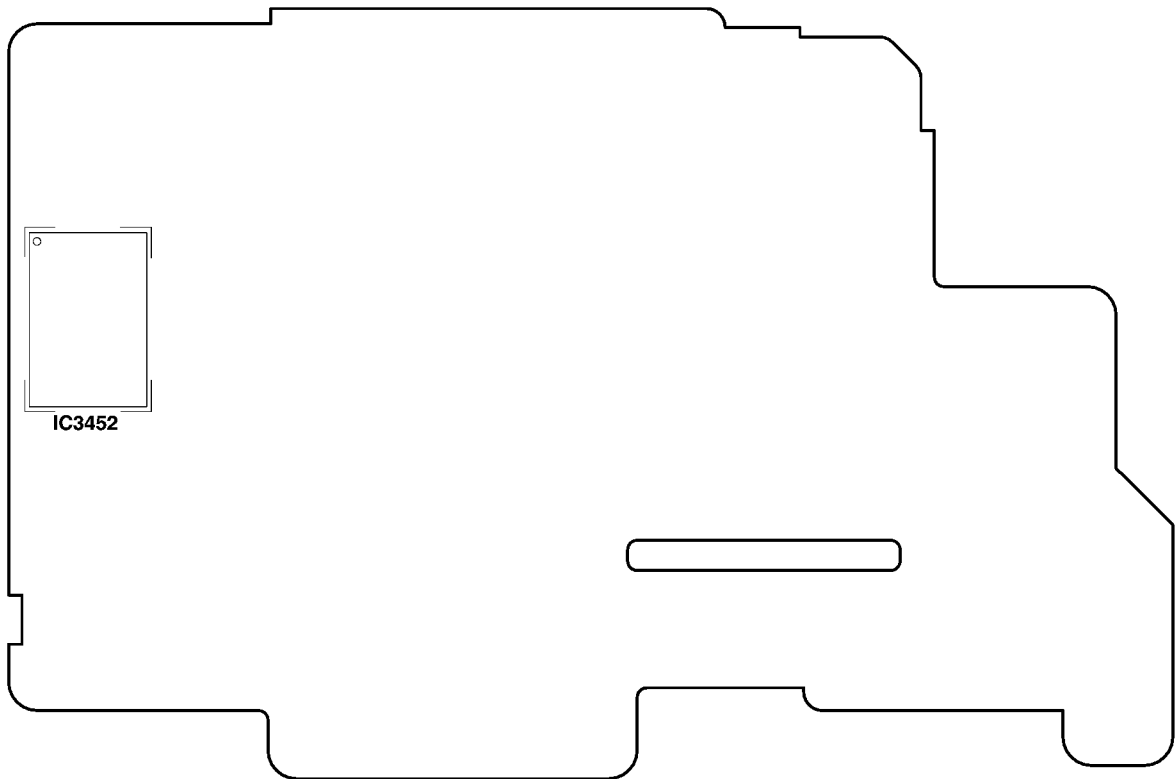


(FOIL SIDE)

7.5.3. SUB C.B.A. (PV-GS200PP ONLY)



(COMPONENT SIDE)

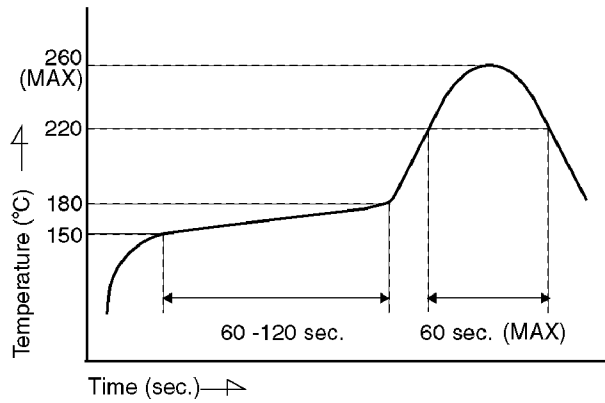


(FOIL SIDE)

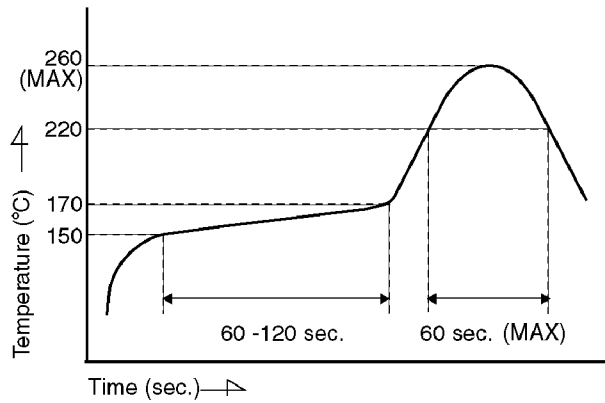
7.6. TEMPERATURE PROFILE FOR HEAT RESISTANCE OF CSP IC

When using equipment other than the Pre-Heater, refer to the temperature profile.
 CSP ICs for Model of PV-GS200/120 have the following temperature profile.

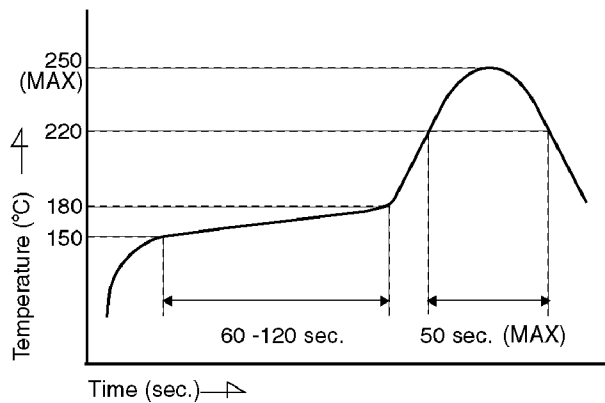
7.6.1. IC TEMPERATURE PROFILE (IC303)



7.6.2. IC TEMPERATURE PROFILE (IC305, IC2001, IC3001, IC3201, IC3451, IC3453, IC3501)



7.6.3. IC TEMPERATURE PROFILE (IC3201)



8 ELECTRICAL ADJUSTMENT PROCEDURES

8.1. COMPUTER ASSISTED ADJUSTMENT SYSTEM <TATSUJIN> ADJUSTMENT.

This unit employs the computer assisted system named; "TATSUJIN PC-Adjustment" for Electrical adjustment.

8.2. SET-UP MANUAL FOR DV-Camcorder.

1. SAVE THE SOFTWARE

Install the effective model's TATSUJIN Software to PC: Personal Computer.

2. SET-UP (CONNECTION)

a. Remove the EVR cover of the DV Camcorder.

Unlock the locking tab and remove the EVR cover as shown in Fig. E1 .

b. Make a connection.

Connect the PC, the PC/IF Unit and the DV Camcorder as shown in Fig.E2 and E3.

c. Check the SW position on Measuring Board.

The position of SW on Measuring Board checks as shown in Fig. E4 .

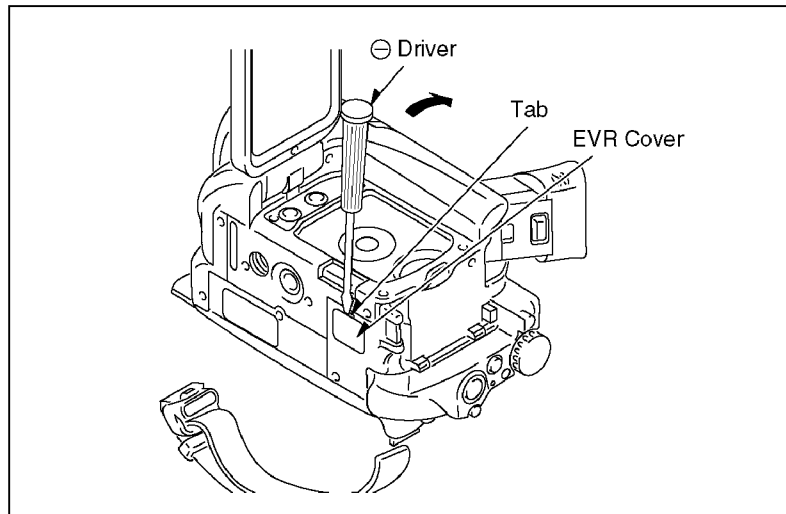


Fig. E1

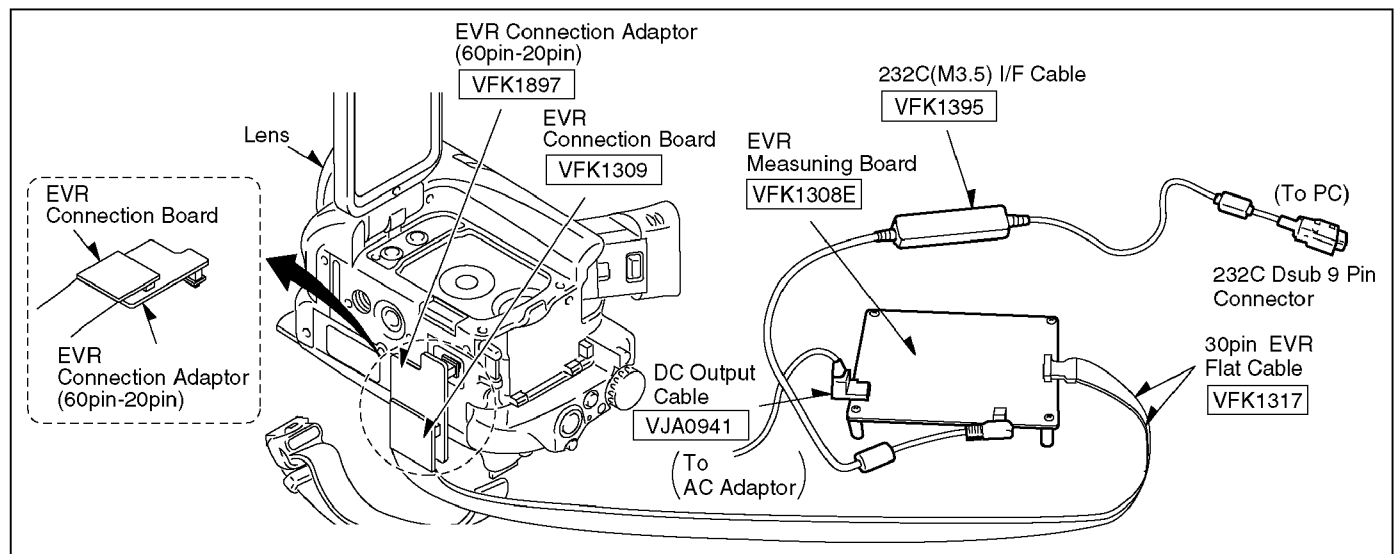


Fig. E2 Necessary Equipment & Tools for Connection.

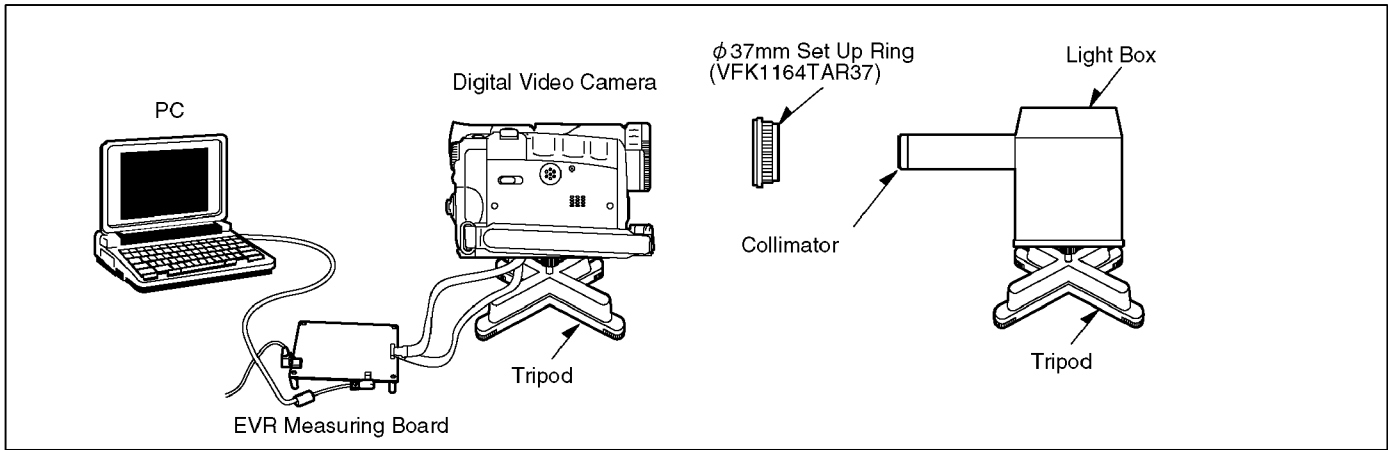


Fig. E3 Rough image of set-up connection

Ref	Name	Parts No.	Q'ty	Remarks
1	DV Camcorder	---	1	The Camcorder being adjusted.
2	Personnel Computer	---	1	With Tatsujin Software.
3	AC Adaptor	---	2	The AC Adaptor for DV Camcorder. The AC Adaptor for M. Board.
4	DC output Cable	---	2	The AC Adaptor for DV Camcorder. The AC Adaptor for M. Board.
5	232C (M3.5) I/F Cable	VFK1395	1	
6	Measuring Board	VFK1308E	1	
7	30 pin Flat Cable	VFK1317	2	
8	Step Up Ring	VFK1164TAR37	1	For Collimator 37mm
9	Connection Board	VFK1309	1	
10	Connection Adaptor (60-20pin)	VFK1897	1	
11	TATSUJIN PC-Adjustment Program	VF0D2003AV30	1	

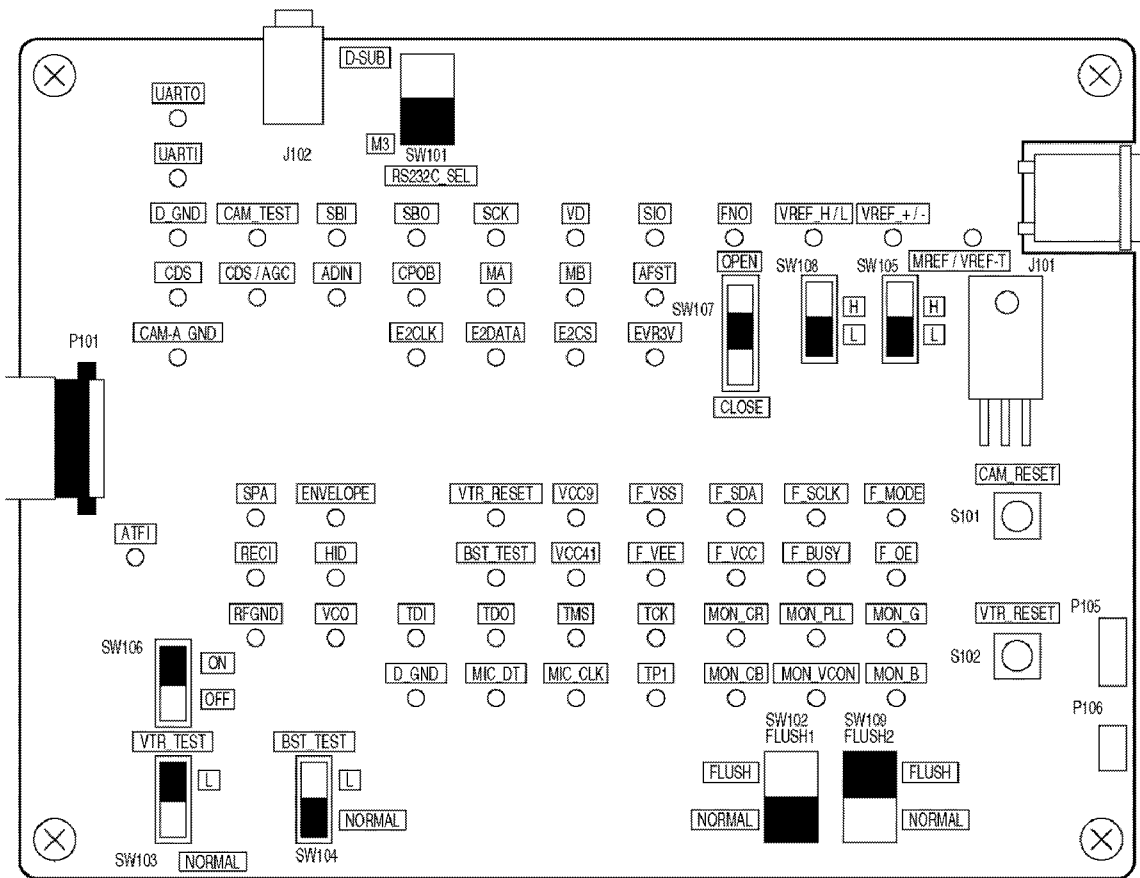
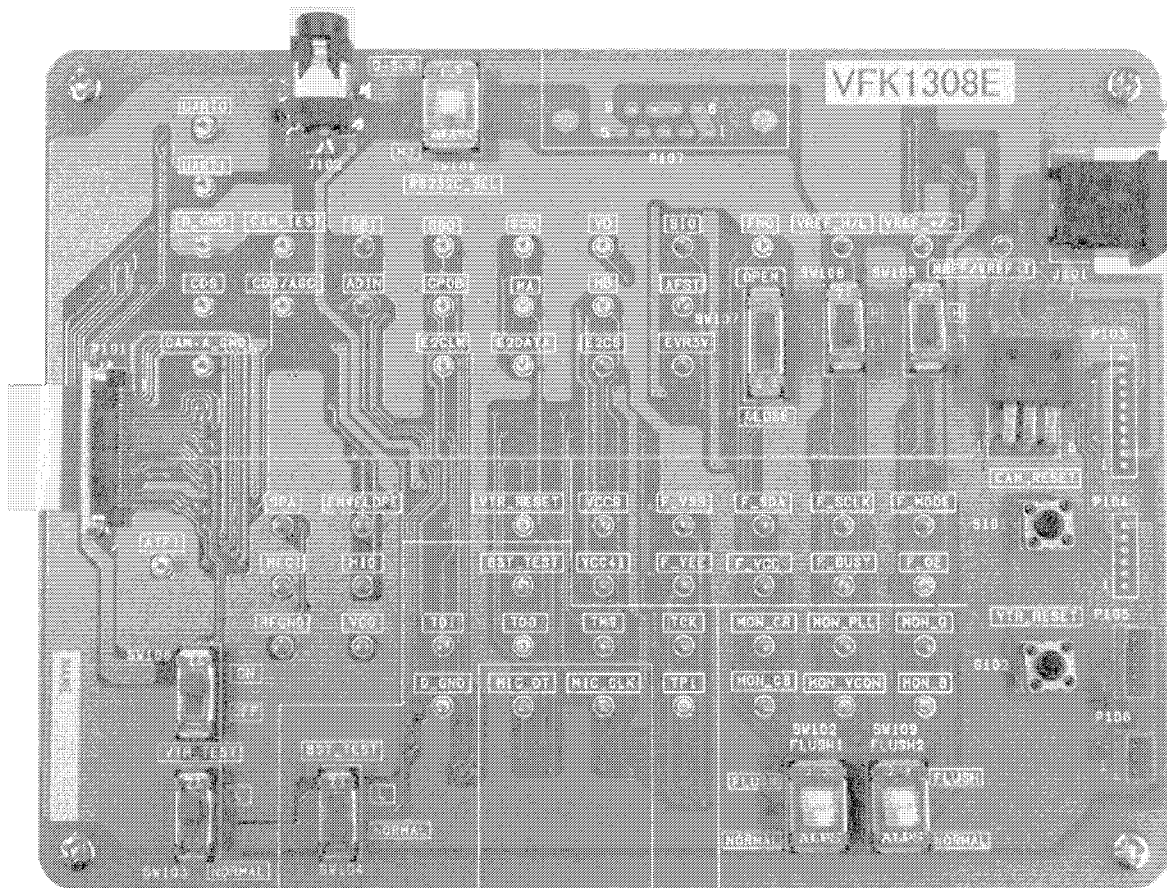


Fig. E4

(Extension cables (VFK1317 × 2pcs) ----- Measuring Board (VFK1308E) ----- 232C I/F Cable (VFK1395))

8.3. SET UP PC-EVR ADJUSTMENT PROGRAM

1. Turn on the PC and install the TATSUJIN Adjustment Program into the PC.
2. TATSUJIN PC-Adjustment Program start in the following procedure.

PC Menu : [Start] → [Program] → [win Tatsujin] → [DV Movie] → [PV-GS200 Series]

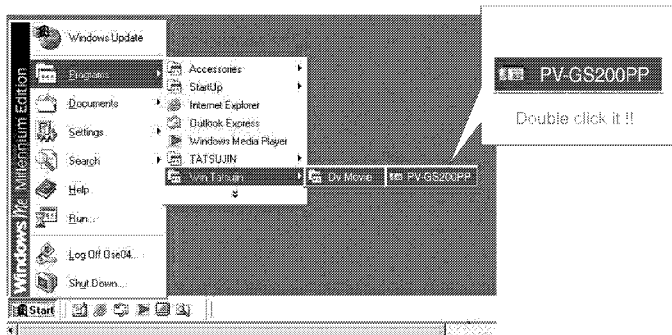


Fig. E5-1

The main menu display will be displayed.

3. Select the desired model.
4. Turn on the camcorder. Then, click "Start."

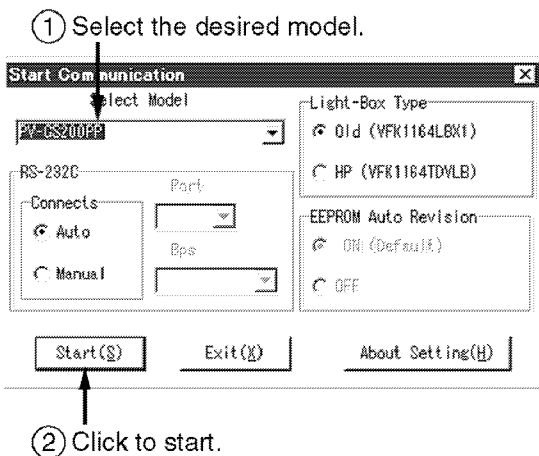


Fig. E5-2

5. The communication is complete, and the dialog will appear. Then, click "VCR (V) or Cam (C)" to save the EEPROM data,

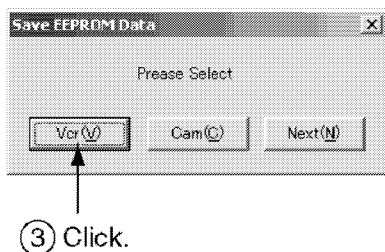


Fig. E5-3

6. Saving for EEPROM data is complete, menu will appear. To perform each adjustment, display the adjustment menu by selecting the desired menu from "Camera Adjust," "Video Adjust," "LCD Adjust" or "EVF Adjust" and select each adjustment item.

④ Select the desired menu.

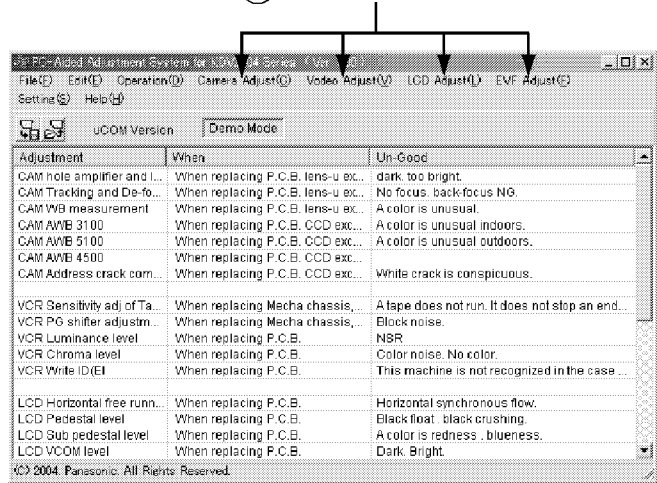


Fig. E5-4

Note:

The adjustment data is stored to the EEPROM IC after each adjustment.

7. After adjustment, to end the software, select "Exit" in File menu or close the window.

⑤ Select "Exit" or close the window.

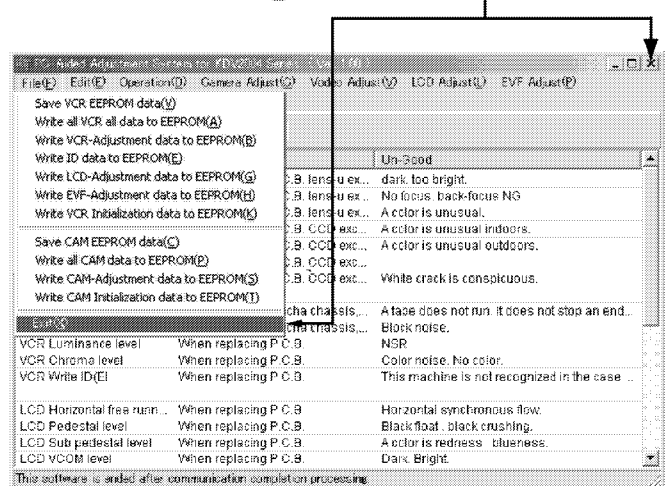


Fig. E5-6

8.4. INITIAL GUIDELINE

The table below shows which adjustments are necessary according to the unit parts and individual parts to be replaced. Make sure to perform these adjustments shown below as necessary.

Adjustment Item		Replacement Parts											
		SUB C.B.A.	MAIN C.B.A.	IC307 (EEPROM)	IC2006 (EEPROM)	LENS UNIT	Prism UNIT	Iris UNIT	4ht Moving Frame UNIT	CYLINDER UNIT	MAIN CHASSIS UNIT	LCD Panel	EVF C.B.A.
Camera	CAM hole amplifier / Iris PWM / ND hole amplifier / ND Iris PWM	<input type="radio"/>		<input type="radio"/>		<input type="radio"/>	<input type="radio"/>	<input type="radio"/>					
	CAM Tracking and De-focus	<input type="radio"/>		<input type="radio"/>	<input type="radio"/>	<input type="radio"/>	<input type="radio"/>	<input type="radio"/>	<input type="radio"/>				
	CAM Revision CCD scratch	<input type="radio"/>		<input type="radio"/>			<input type="radio"/>						
	CAM ALC adjustment	<input type="radio"/>		<input type="radio"/>		<input type="radio"/>	<input type="radio"/>	<input type="radio"/>					
	CAM AWB adjustment	<input type="radio"/>		<input type="radio"/>			<input type="radio"/>						
Video	VCR Sensitivity ADJ. of Tape sensors		<input type="radio"/>		<input type="radio"/>						<input type="radio"/>		
	VCR PG shifter adjustment		<input type="radio"/>		<input type="radio"/>				<input type="radio"/>	<input type="radio"/>			
	VCR Luminance level		<input type="radio"/>		<input type="radio"/>								
	VCR Chroma level		<input type="radio"/>		<input type="radio"/>								
LCD	LCD Contrast		<input type="radio"/>		<input type="radio"/>								
	LCD Pedestal level		<input type="radio"/>		<input type="radio"/>								
	LCD PLL		<input type="radio"/>		<input type="radio"/>								
	LCD COM bias		<input type="radio"/>		<input type="radio"/>								
	LCD COM level		<input type="radio"/>		<input type="radio"/>								
	LCD White balance		<input type="radio"/>		<input type="radio"/>						<input type="radio"/>		
EVF	LED Rank Adjustment		<input type="radio"/>		<input type="radio"/>							<input type="radio"/>	

Note : : Adjustment Item

9 MECHANICAL ADJUSTMENT PROCEDURES

9.1. ADJUSTMENT ITEM

Item	Adjustment at the time of the part exchange		
	Half finished goods mechanism	Cylinder	Remarks
Linearity adjustment & BER value confirmation	○	○	

9.2. ADJUSTMENT PROCEDURES

●Linearity adjustment & BER value confirmation

1. Remove the mechanism adjustment cover of this machine as shown in Fig. D1 .
2. The special tool at the time of electricity adjustment is connected.
Reference of the connection figure of electricity adjustment.
3. The envelope detection special tool board (VFK1641) is connected to EVR adjustment board as shown in Fig. D2 .
4. The envelope detection special tool board is connected to oscilloscope as shown in Fig. D2 .
5. The post is adjusted with the post driver(VFK1899) so that recycles the normal tape which recorded NTSC signal and the detection wave-link become a flat as shown in Fig. D3 .
*At the time of the cylinder unit exchange unnecessary.
6. The post is adjusted with the post driver so that recycles a alignment tape(VFM3010EDS) and the detection wave-link become a flat once again.
7. Recycling the tape that video-taped it with this machine after adjustment, the BER value is confirmed with the item of the BER the item of the BER confirmation of expert soft inside.

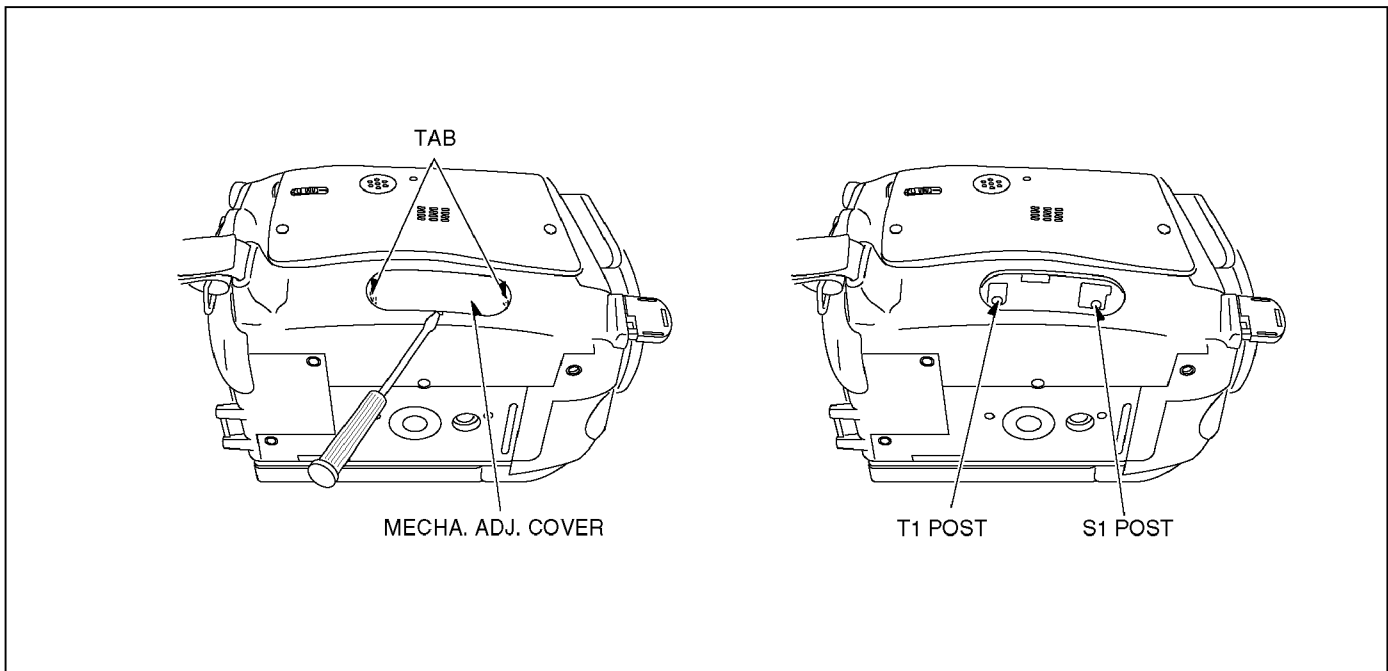


Fig. D1

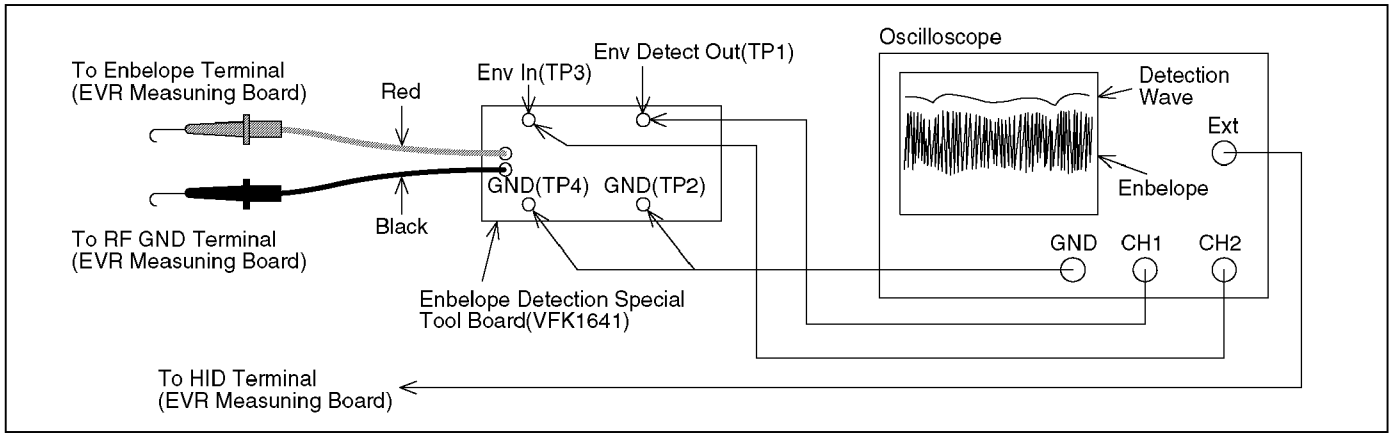


Fig. D2

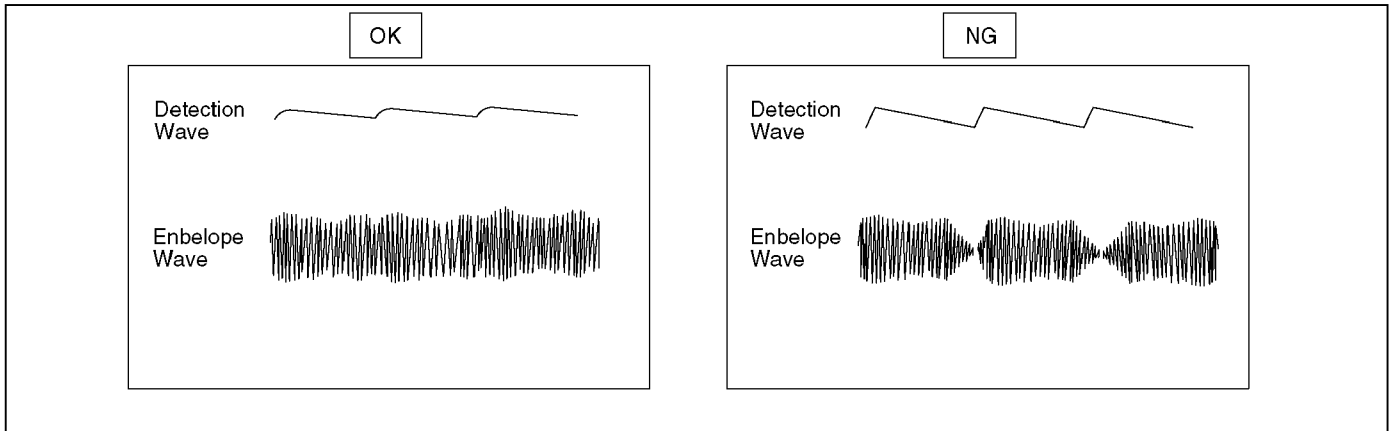
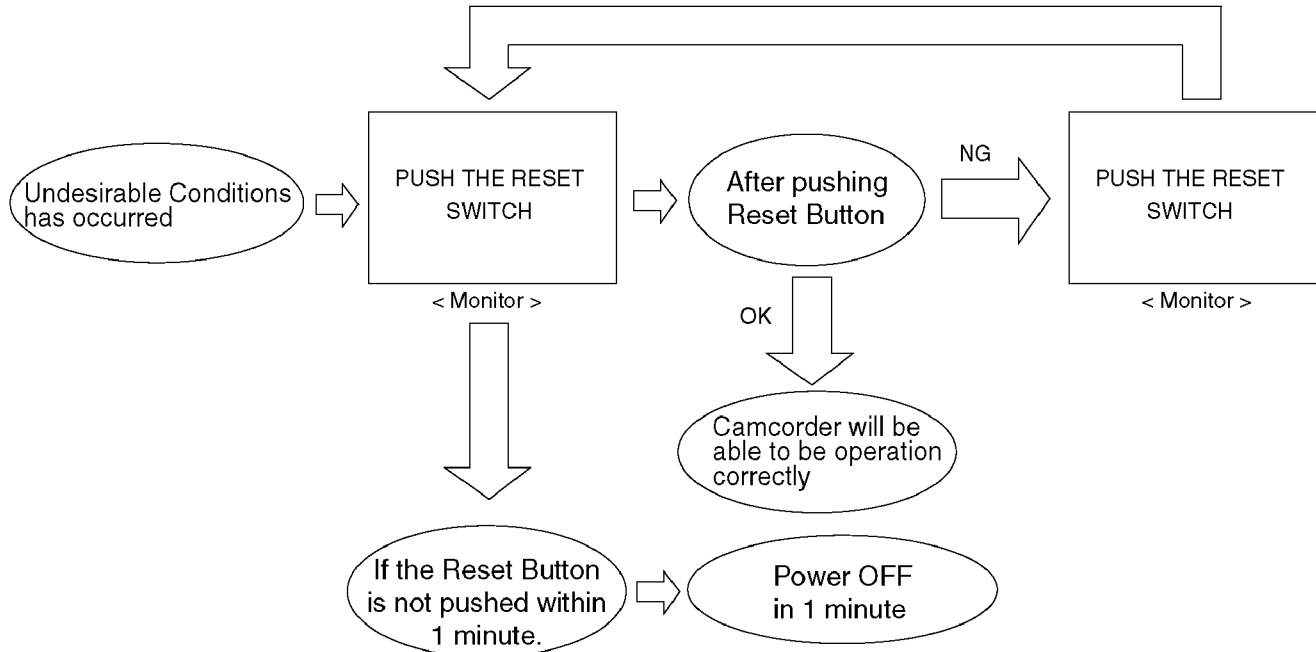


Fig. D3

10 SERVICE MODE

10.1. ERROR DISPLAY

"PUSH THE RESET SWITCH" is displayed automatically on the EVF or the LCD Monitor when an undesirable condition has occurred.



Note:

When "PUSH THE RESET SWITCH" is displayed repeatedly, required. Check the Error Code which is listed in the Service Menu.

10.2. SERVICE MENU

When abnormal detection contents are confirmed a When I do the following operation automatic diagnosis cord is displayed. (Service mode)

This function displays the following items in the Service Menu.

- *1 ... Cylinder elapsed time reset

After replacint the Cylinder Unit, clear the Cylinder elapsed time to 0.

Press the STILL or the FADE button to select this item. Then, press the ENTER button.

- *2 ... Cylinder elapsed time

This item displays the Cylinder elapsed time (in Base 16).

Calculation method of the Cylinder elapsed time:

(Fot exampe) If "0001234F" is displayed, $0001234F$ (in Base 16) = 74574 (in Base 10)
 74574×4.3 (seconds) = 320672.5 (seconds)
 $\frac{320672.5}{3600}$ (seconds) = 89.1 (hours)

- *3 ... Mechanism lock code record

The current lock code, the last lock code and the lock code before last are displayed.

- *4 ... Lens motor lock code record

The current lock code, the last lock code and the lock code before last are displayed.

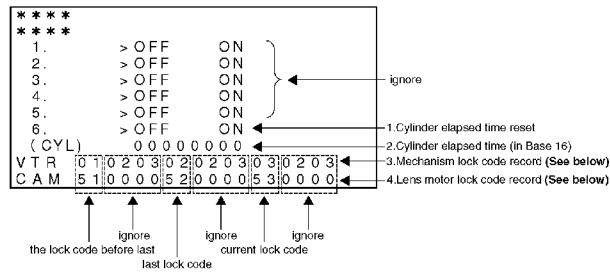
Making the mode dial of This Machine a pc connection mode push [BACK LIGHT] button and [REW ◀◀] button and [PHOTO SHOT] button simultaneously for 3 seconds with no SD Card inserted. TheService Menu will be displayed.

NOTE:

In the case that a tape is included the above operation does not work.

Self diagnosis cord contents are as follows

Display position → Cord specification



Display contents(Self diagnosis cord contents)

Mechanism & Lens motor lock code	
DISPLAY	CONDITION
01	T-REEL LOCK
02	S-REEL LOCK
03	UNLOADING LOCK
04	LOADING LOCK
05	SYLINDER
51	ZOOMMOTOR LOCK
52	FOCUSMOTOR LOCK

Turn off the power supply after confirmation,

Please do the error cord backup record the clear after repair completion.

CLEAR METHOD

Making the mode dial of This Machine a pc connection mode push [BACK LIGHT] button and [REW ◀◀] button and [RECORDING START/STOP] button simultaneously for 3 seconds (with noSD Card inserted)

NOTE:

1. When an Error Display “PUSH THE RESET SWITCH” on the monitor, it is not necessary to push the MENU button to enter the Service Menu.
2. Do not operate items 1 ~ 5 in the Service Menu.
3. To exit the Service Menu, unplug the AC Cord.

11 ABBREVIATIONS

INITIAL/LOGO	ABBREVIATIONS	INITIAL/LOGO	ABBREVIATIONS		
A	A GND	Analogue GND	ALC MAIN	Auto Level Control Drive	
	A HASW	Audio Head Amp Switching Pulse	ALE	Address Latch Enable	
	A HSW	Audio Switching Pulse	A-LOCK	Full Auto Switch	
	A MUTE	Audio Mute	A-MUT(H)	Audio Mute (H)	
	A ORP	Audio Overlap Pulse	ANLPTH	Analogue Loop Through High	
	A. TR	Auto Tracking	AORP	Audio Overlap Pulse	
	A0-8, 0-17	Memory Address	APCNT	Aperture Control	
	A3V2	AD Converter Reference Voltage	APS	Auto Power Save	
	AB0-4	Address Bus	ART VH	Artificial Vertical Sync	
	AB0-4, AB12-15	Address Bus Line 0-4, 12-15	AT CNT	Automatic Tracking Gain Adjust	
	ABSF	Focus Encoder Input	ATF	Automatic Track Finding	
	ACI	Analogue Channel Cording IC	ATFCLK	41.85MHz Clock	
	AD	AD Converter	ATFG	Auto Track Gain	
	AD	Auto Date, Analogue Digital Converter	ATL	Auto Lock Select	
	AD CLK	AD Clock	ATN	Absolute Track Number	
	AD REC	Audio Delayed REC	ATR OFF(H)	Auto Tracking Off (H)	
	AD0-6	Address	ATV	Advanced TV	
	AD0-6, ADR0-6	Address Data Line	AUDIO(N)	Audio (Normal)	
	ADCLK	Analogue Digital Converter Clock	AUX	Auxiliary	
	ADCNT	Analogue Digital Control	AVDD	Analogue VDD	
	ADCS	Analogue Digital Chip Select	AVSS	Analogue Ground	
	A-DET	Audio Detect	AWTB	Auto White Balance B-Y	
	ADREC	Audio Delaied Rec	AWTR	Auto White Balance R-Y	
	ADUB	Audio Dubbing			
	AE	Auto Expose	B	BACK	Back-up
	AECNT	Auto Expose Control		BACK UP	Microcomputer Back-up
	AEE(H)	Audio E-E (H)		BACK VDD	Back-up Power
	AEH	Audio Erase Head		BATT	Battery
	AEIRQ	Auto Expose Interrupt Request		BATT ALARM	Battery Alarm
	AF/MF	Auto Focus/Manual Focus		BATT REF	Reference Voltage for Battery
	AF DIS CS	AF DIS Chip Select		BCB	B Carrier Balance
	A-FADE(L)	Audio Fade (L)		BCBM(B-Y)	B-Y Carrier Balance
	AF-AMP	AF HALL Bias		BCBM(R-Y)	R-Y Carrier Balance
	AFCS	Auto Focus Chip Select		BD0-7	REC/Play In/Out Buss
	AFRP	Audio PLL Voltage Control		BDCK	Standard Bus Data Clock (9MHz)
	AF-VN	Zoom Encoder V-Ref (-)		BDEN	Standard Bus Data Enable
	AF-VP	Zoom Encoder VREF (+)		BEND	Data Block End Request
	AGC	Automatic Gain Control		BF	Burst Flag Pulse
	AGCCNT	Automatic Gain Control Control		BFA	Burst Flag Pulse for Encoder
	AGND	Analogue Ground/Audio Ground		BFO/BFI	Burst Flug Input/Output
	AGS	Anti Ground Shooting		BI, BO	Buffer Input, Output
	AH(P) / (R)	Audio Head (Play) / (Record)		BL	Back Light
	AHASW	Audio Head Amp Switch Pulse		BL ON	Back Light ON (L)
	AHSW	Audio Head Switch Pulse		BL4V	Back Light 4V
	AI, AO	Buffer Input, Output		BLC 0, 1	Back Light Y Control Out, In
	AIBCK	Bit Clock (to A/D Converter)		BLDI/O	Back Light Drive Input/Output
	AIDAT	Serial Data (to A/D Converter)		BLK	Blanking Pulse
	AILRCK	L/R Clock (to A/D Converter)		BLKA	Blanking for Encoder
	AIMCK	Master Clock (to A/D Converter)		BLKA	Blanking Pulse for Encoder
	ALC CNT	Auto Level Control Control		BLKI/O	Blanking Pulse In/Out

INITIAL/LOGO	ABBREVIATIONS	INITIAL/LOGO	ABBREVIATIONS
	BLKZ Blanking Pulse for Zoom Encoder	CH1	Channel 1 (Odd Field)
	BM Balance Modulator	CHR	Character
	BQUIET Bus Out Control Signal	CHR BACK	Character Back-up
	BUF IN/OUT Buffer In/Out	CHR MIX	Character Mix
	B-Y KB B-Y Carrier Balance	CI, CO	Buffer In/Out
	B-YO B-Y Signal Out	CI,CO	Buffer Input & Output
		CIF	Control Signal Forward Input
C	C A In/Out Pre-Aperture In/Out	CIF, CIR	Positive Control Pulse, Negative Control Pulse
	CAPSTP Capstan Stop Flag	CIR	Control Signal Reverse Input
	C CNT Colour Control	CK	Clock
	C SYNC Composite Sync Signal	CL/CLK	Clock
	C/N Carrier/Noise	CLASS	Classification Signal for Compress (DCT/VLC)
	C0-7, C00-07 Chrominance Signal 0-7	CLASS 0.1	Class Control Signal Durring DCT/VLC
	CAGAIN Aperture Gain Control	CLK135	13.5MHz System Clock
	CAM Camera	CLK18	18MHz System Clock
	CAM CLK Camera Clock	CLK2	Clock 2 (824XFH: 12.875MHz)
	CAM RST Camera Reset	CLK246	24.576MHz Clock
	CAM SIOC Camera Serial In/Out Control	CLK27	27MHz System Clock
	CAM T Camera Test	CLK450	450KHz Clock
	CAM TL Capstan Trque Limit	CLKDCLK	Digital Clock
	CAP EC Capstan Trque Control	CLK-PH	Clock Phase Control
	CAP P(H) Capstan Power On (H)	CLK-REF	Reference Clock
	CAP R/F/S Capstan Reverse (H)/Stop (M)/Forward (L)	CLP-RST-H	Clamp Reset High Signal
	CAP SW Capstan Power Control Switch	CLX	TFT X-axis Transmission Clock
	CAPSTP H Capstan Stop Flag (Stop High)	CLX, CLX1-4	Shift Clock for X Direction (LCD Panel)
	CAPVM Capstan Motor Current	CLY	Shift Clock for Y Direction (LCD Panel)
	CAPVS Capstan Motor Power Control Switch	CLY	TFT Y-axis Transmission Clock
	CAS Compresion, Audio Process, Shuffling/Deshuffling	CLY FG	Cylinder FG Signal
	CAS Memory Address Strobe (Active Low)	CMEM00-3	Chroma Memory Output Signal 0-3
	CASDOWN, DWN Cassette Down (L)	CMIX	Character Mix
	CB, CR Chroma B, Chroma R	CMO	Chrominance Memory Output
	CBLK Composite Blanking Pulse	COMPC	Position Detection Pulse
	CC Channel Cording	COM RDY	Serial Enable Signal
	CCA Curent Drive Control	CMODE	Camera Mode
	CCA Current Control Amp	CNCLK	Clock
	CCD Charge Coupled Devise	CNR	Chrominance Noise Reduction
	CCW Counterclockwise	CNT, CONT	Control
	CD SP0-7 Digital Chroma	CO	Control Out
	CDS Correlate Double Sampling Signal	CO0-7	Chrominance Output 0 to 7 (Digital)
	CDS1, 2 Sampling Pulse for CCD Output Signal	COM	Common
	CE Chip Enable	COM RDY	Serial Transmission Enable
	CE Control Pulse Erase	COMB	Comb Filter
	CEC Capstan Error Code	COS EQ	Cosin Equalizer
	C-ERA(H) Control Erase (H)	CP	Clamp Pulse
	CFEM Chrominance Memory Signal	CP ON(H)	Camera Power On(H)
	CFM Chrominance Field Memory	CP2, 20	Clamp Pulse
	CFM1-4 Chroma Field Memory Signal	CP2A, CP2O	Encoder Clamp Pulse
	CG CLK Character Generator Clock	CPN	Component Signal
	CG CLK DATA Clock Generator Data	CPOB	Clamp Pulse for Optical Blanking
	CG DATA Character Generator Data	CPS	Composite Signal
	CGC Chrominance Gain Control	CPV	Gate Scan Clock
	CGCS Character Generator Chip Select	CR OUT	Pre Apature Out
	CGO Character Generator Serial Data	CR POW SW	Camera Remote Power On Switch
	CH Charge	CRA	Aperture Gain Control

INITIAL/LOGO		ABBREVIATIONS	INITIAL/LOGO		ABBREVIATIONS
	CRA	Pre Apature Gain Control		DISCS	Dis Chip Select
	CRST	Camera Reset		DISP	Display
	CS	Chip Select		DL	Delay Line
	CS 0-7	Chrominance Signal Out 0-7		DOBCK	Audio A/D Convertor Bit Clock
	CSEL	Clock Phase Select		DOCTL	Data Output Control Signal
	CSI 0-7	Chrominance Signal In 0-7		DODAT	Serial Data (to D/A Converter)
	CTSW	Crosstalk Switch		DOLRCK	Audio A/D Converter LR Clock
	CURR	Current		DOLRCK	L/R Clock (to D/A Converter)
	CW	Clockwise		DOMCK	Audio A/D Converter Master Clock
	CYL EC	Cylinder Motor Trque Control		DOMCK	Master Clock (to D/A Converter)
	CYL PG	Cylinder Motor PG		DQ 1-16	Memory Data
	CYL VM	Cylinder Motor Current or Power		DRAM CAS	D-RAM Colum Address Strobe
				DRAM OE	D-RAM Out Enable
				DRAM RAS	D-RAM Read Address Strobe
				DREC	AV Delayed REC Start Pulse
				DRK	Dark (LPF Switch for Auto Focus)
				DS1, 2	Double Sampling Pulse
				DSF 0-7	Data In/Out for Shaffling Memory
				DSF 0-7	Input/Output Data to Shuffling Memory (18MHz)
				DSP	Digital Signal Processor
				DSP R/B	DSP IC Rady/Busy
				DSP-48K-H	DSP IC Clock Select
				DSTB	Data Strobe Signal
				DSV	Digital Sum Variation
				DV	Digital Video
				DVB	Digital Video Broadcast
				DVC	Digital Video Cassette
				DVDD	Digital VDD
				DVIO	Digital Video Input Output
				DVSS	Digital Ground
				DX	Shift Data for X Direction (for LCD)
				DY	Shift Data for Y Direction (for LCD)
				DY	TFT Y-axis Shift Data
				DZ	Digital Zoom
D	D CLK	Digital Clock			
	D MODE	Digital Mode Switch Signal			
	D01-03	Zoom 01-03			
	DA UV SEL	D/A Convertor U/V Select			
	DAC	Digital Analogue Converter			
	DAG	Digital Analogue Ground			
	DB0-7	Data 0-7			
	DB0-7	Microprocessor Data			
	DCC	DC Clamp Control			
	DCCNT	DC Control			
	DCI	Digital Channel Cording IC			
	DCLR	Digital Clear			
	DCP	Digital Clamp Pulse			
	DCS-CLK, DA	CAS & DV I/F Serial Clock			
	DC-STP1	DCS Serial Start			
	DC-STP2	DCS Serial Stop			
	DCT	Discrete Cosine Transform (Compression)			
	DCX7	Serial Data			
	DEDP 0-3	Playback Data			
	DEDR 0-3	Rec Data			
	DEMO	Demodulation			
	DEMP	A/D Convertor Empahsis Control			
	DEMP	De-Emphasis			
	DFD 0-7	Encode Data In/Out Between Shaffling Memory			
	DFD0-7	Encode Input/Output Signal for Shuffling Memory			
	DIBDCK	Bit Clock			
	DICLK	Digital Clock			
	DIDAT	Serial Data			
	DIDAT	Serial Data Durring Digital Audio In			
	DIF	Digital Interface			
	DILRCK	L/R Clock			
	DILRCK	Serial Clock Durring Digital Audio In			
	DIMCK	Master Clock			
	DIMCK	Mater Clock Durring Digital Audio In			
	DIO 1-8	Data In/Out			
	DIOS	Data In/Out Select Control Signal			
	DIOS	Select Signal for Digital In/Out			
	DIS	Digital Image Stabilizer			
	DIS R/B	Digital Image Stabilizer Read (H)/Busy (L)			
	DIS R/B	DIS IC Rady/Busy			
	DIS/KAND	Digital Image Stabilizer/Sensitivity			
			E	E Snap	Electric Snap Shot
				E ZM	Electric Zoom
				E2 CS or E2P CS	EEPROM Chip Select
				E2 R/B	EEPROM Rady/Busy
				E2P	EEPROM
				EARP	Earphone
				EC	Torque Control
				ECC	Error Correction Cording
				ECM	Electric Condencer Mic
				ECR	Reference Voltage for Capstan Torque
				EDA	Error Correction, DCI, ATF Servo
				EE CS	EEPROM Chip Select
				EE R/B	EEPROM Read (H)/Busy (L)
				EEPROM	Electric Erasable Programable Read Only Memory
				EIS	Electric Image Stabilizer (DIS)
				EMP	A/D Convertor Emphasis Control
				ENAB	Enable
				ENV	Enverope
				EOB	End of Block

INITIAL/LOGO		ABBREVIATIONS		INITIAL/LOGO		ABBREVIATIONS	
	EQ EVF EXT DC EXT DC(H) EXT NOREG EXT S DATA EXT SCK EZOOM	Equalizer Electric View Finder External DC (AC Adaptor) AC Adaptor DC (H) AC Adaptor 6V Serial Data for Edit Serial Clock for Edit Electric Zoom		HD HDTV HEX HG HID HLT HALL IN(+), (-) HP HPF HSE HSP HSS HSW HS-WT HSZ	Horizontal Drive Pulse High Definition TV Hexadecimal Hall Gain Head Switching Pulse High Bright Signal Input Signal from Hall IC Headphone High Pass Filter Modulated Data Output Timing Pulse for Shuffling Memory Horizontal Sync Signal Head Switching Pulse High Speed Zoom High Speed Zoom		
F	F ENC FACT MODE FB FC FCK FCO FENC FEND FH2B FIX OSD FLICK FM FM0-7 FMCO0-3 FMDIR FMOEM FMOEO FMT1-4 FMY00-07 FMY10-07 FNO FPS FR FRP FRPSO	Lens F-Value Factory Mode (not used in the service) Feed Back Saw Tooth Signal In Clock Saw Tooth Signal Generator Focus Encoder Frame End Pulse FH/2 (15.625KHz / 2=7.8125KHz) Auto Tracking Off (H) Flicker Output Field Memory Field Memory 0-7 Field Memory Chrominance Out 0-4 Focus Motor Direction Field Memory Enable Field Memory Enable Focus Motor Terminal 1-4 Field Memory Luminance Out 0-7 Field Memory Luminance In 0-7 F Value Frame Reference Signal Capstan Reverse High Frame Reference Pulse Frame Start Pulse		I I/F I-2 C ID(H) IMP INF INF INS INTER INV IOU IOV IOY IR IRDET IREF IRIS/SH IRQ ITI	Interface Inter Integrated Circuit Wide Television (H) Inter Microprocessor Protocol CCD Input Signal 1 Input Frame Signal CCD Input Signal 2 Interval Recording Inverter R-Y Analogue Signal Output B-Y Analogue Signal Output Y Analogue Signal Output Infrared Rays Infrared Ray Detection Current Adjustment Terminal Iris / Shutter Control Interrupt Request Insert & Track Information		
			J	JPEG	Joint Photographic Image Coding Experts Group		
G	G1, G2, G3 GCA GCNT G-CNT GCTRL GENE GF GSW	Gap 1, 2 and 3 Gain Control AMP Gain Control AGC Adjustment Gain Control Generator FG AMP Terminal Ground for Switching Power		K KANDO KB KEY IN KND KNEE	Digital Gain Up Carrier Balance Key Scan Digital Gain Up Luminance Compensate		
H	H/M/N H/N H1, 2 HAP HASW HB HBR SET HBRST HCLR HCP	Hi-Fi / Mix / Normal Hi-Fi / Normal H. CCD Drive Pulse Horizontal Aperture Head AMP Switching Pulse Hall Bias High Brightness Set High Brightness Set High Clear Shift Clock for Horizontal Drive		L LCD LCD P(L) LD LDD LEDCNT LI-BATT LOAD LOAD F, R LPF LRMONO LSB	Liquid Crystal Display LCD Power On (L) Load Pulse Liquid Direct Drive LED Control Lithium Battery Loading Loading Direction (F: Forward / R: Reverse) Low Pass Filter Monoral Audio (L + R) Least Significant Bit		

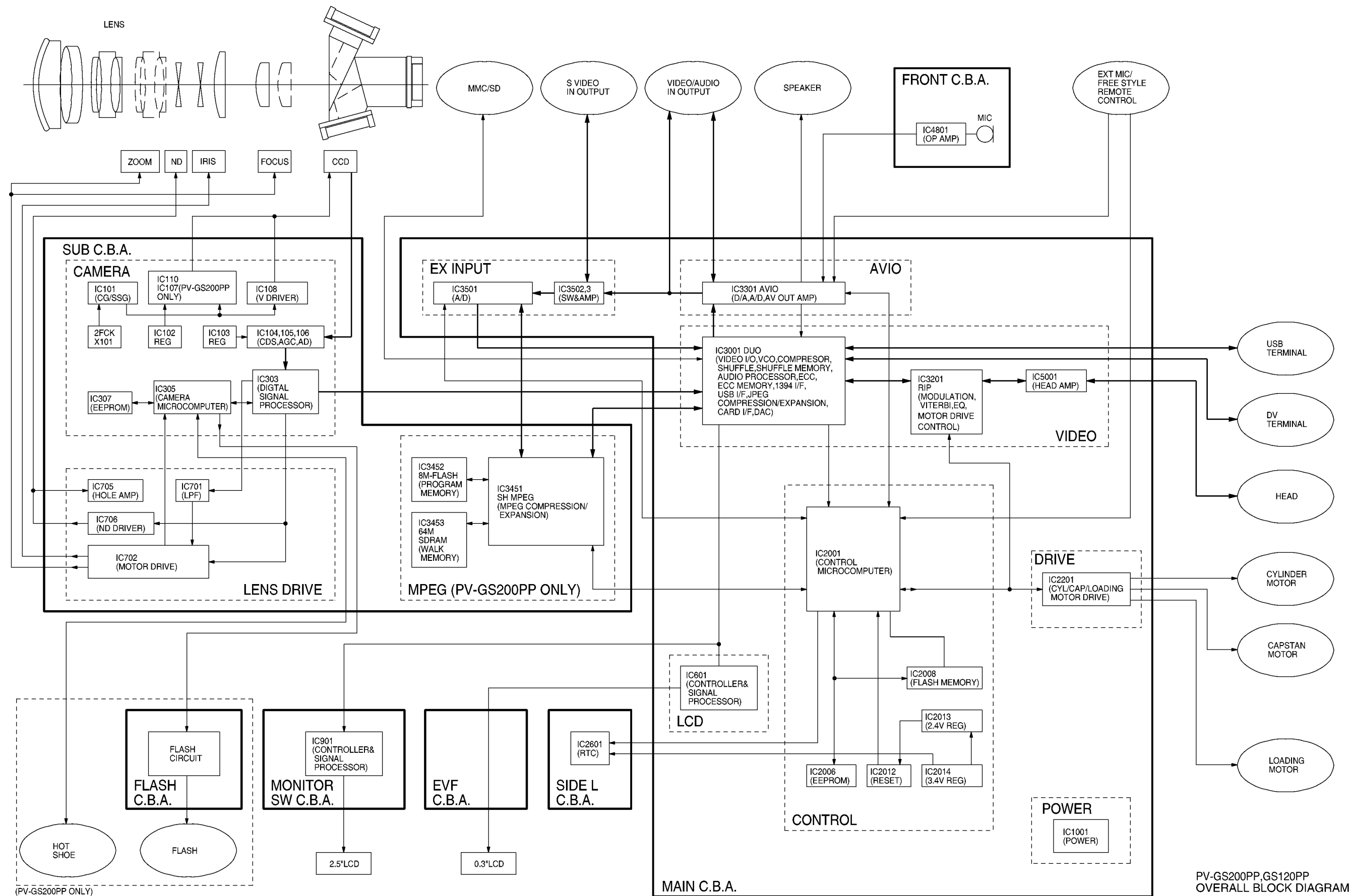
INITIAL/LOGO		ABBREVIATIONS	INITIAL/LOGO		ABBREVIATIONS
	LVL	LPF Switch for Auto Focus	P	P SW	Power Switch
M	M1-3	Motor Coil Terminal 1 to 3		PB1-3	PNP Base 1-3
	MA0-5	Microprocessor Address Data 0-5		PBCTL	Play Back Control
	Mbps	Megahertz Bit Per Second		PBCTL	Pre-Blanking Control
	MD	Modulation		PBH	Head Amp Switch
	MD0-7	Microprocessor Data 0-7		PBLK	Pre-Blanking (Pulse)
	MDT0-7	Microprocessor Data 0-7		PC1-3	Corrector of PNP Transistor
	ME (TAPE)	Metal Evaporated (Tape)		PCBM	Carrier Balance
	MENB	Focus Motor Enable		PCH	Phase Compensator (Hall AMP)
	MFF	Manual Focus Far		PCI	Phase Compensator (Current)
	MFN	Manual Focus Near		PCO	Phase Compensator Out
	MHSYNC	Monitor Horizontal Sync Signal		PCS	Switching Power Control
	MIC	Memory In Cassette		PCV	Phase Compensator (Voltage)
	MIG	Meta In Gap		PE	Emitter of PNP Transistor
	MIX N.R.D.	Non Rec Data Mix		PED	Pedestal
	MOD	Modulation		PEDECNT	Pedestal Control
	MOUT	Mic Out		PENO	Alarm (L)
	MP (TAPE)	Metal Particle (Tape)		PFP	Pilot Frame Position
	MPEG	Moving Picture Image Cording Experts Group		PGA, B	Power Ground A, B
	MPEG2	Moving Picture Image Cording Experts Group Phase 2		PGC	Pulse Generator Comparator
	MRST	Focus Motor Reset		PGI	Pulse Generator Input
	MSB	Most Signal Bit		PGMM	Pulse Generator Monostable Multivibrator
	MVSYNC	Monitor Vertical Sync Signal		PGO	Output of Pulse Generator AMP
N	N/F	Near/Far Focus		PMODE	Select Signal for Normal / Wide Screen
	N/P	NTSC/PAL		PON	Power On
	NB1-3	Base for NPN Transistor		POR	Power On Reset
	NC	No Connection		POSCOM	Common Position
	NC1-3	Corrector of NPN Transistor		PREAMP	Pre-AMP
	NCLR	Power On Reset		PREBLK	Pre-Blanking
	NCP1	Clamp Pulse		PT	Protect for V Voltage
	NCP2+VDH	Clamp Pulse + Horizontal Drive Pulse		PWM	Pulse Width Modulation
	NCP2+VDM	Clamp Pulse + Gate Pulse		PWMB	Pulse Width Modulation Pulse
	NDE	Non Liner De-Emphasis	Q	Q2H	Source Output Select
	NE	Emitor of NPN Transistor	R	R CTL P	Recorded Control Pulse (+)
	NLE	Non Liner Emphasis		R CTL R	Recorded Control Pulse (-)
	NR	Noise Reduction		R/B	Read/Busy
	NRD	Non Rec Data		R/L	Direction Control for Data Transmission
	NRD BLK	Non Rec Data Blanking		RA	Recording AMP
	NRD CLK	No Rec Data Clock		RA1	Rec AMP 1
	NRE	Read Enable Input (Low Active)		RAC AC	Rec Audio Current
	NWE	Write Enable (Low Active)		RAD	Read Address Data
O	OB	Optical Black		RAE	Read Address Enable
	OBCNT	Optical Black Control		RB	Read Busy
	OBREF	Reference Voltage for Optical Black Control		R-B	R Bias
	OE	Output Enable		RCB	R Carrier Balance
	OFH	Horizontal Counted Down Clock Signal (Reference)		RE	Read Enable
	OFS	Offset		RE(F), (S)	Rotary Erase Head Transformer
	OP	Operation AMP Output		REB	R Bias
	OSD	ON Screen Display		REC CC	Rec Current Control
	OVL	Overlap Pulse		REC CCNT	Rec Current Control
	OZ	Optical Zoom		RECCTRL	Recording Control Pulse
				RECI	Rec Amp Switch

INITIAL/LOGO		ABBREVIATIONS		INITIAL/LOGO		ABBREVIATIONS	
	RENCF	Lens Control (Forward)		SWB	Switching Pre-Drive Pulse		
	RENCR	Lens Control (Reverse)		SYL EC	Cylinder Torque Control		
	RERASE	Rotary Erase Head		SYL FG	Cylinder FG		
	RGBIV1-2	1V Inverted Signal 1-2					
	RGO R/G OFF	Offset Voltage for AWT R		T	T PHOT	Take-up Photo Transistor	
	RSF	Capstan Direction (Reverse / Stop / Forward)			TBC	Time Base Control	
	RST	Reset			TFT	Thin Film Transistor	
	RSTB	R Strobe			TH	Thermostat for Battery	
	RSTPWD	Reset Power Down Input			TI	Test Mode Select	
	RSTR	Reset Read			TL	Torque Limit	
	RSTW	Reset Write			TM	Sub Code	
	RT	Saw Tooth Terminal			TMD	Sub Code Data	
	RVCO	Resistor for Oscillation			TRE	Tracking Error Signal	
	RW	Read Write			TREEL(P)	Take-up Reel (Pulse)	
	RWAE	Read Write Enable			TRFIX	Tracking Fix	
					TRIWAVE	Tracking Wave	
					TRP	Tracking Position	
					TRP	Trap	
					TSR	Head Switching Reference	
					TST	Time Scale Transfer	
S	S PHOT	Supply Photo Transistor		U	U/V SEL	R-Y/B-Y Select Signal	
	S/H	Sampling Hold			UNLOAD	Un-Loading	
	S/S	Start/Stop			UNRE	Microprocessor Read Enable	
	SBD	Serial Data			UNWE	Microprocessor Write Enable	
	SBI	Serial Data Input			UV	R-Y/B-Y	
	SBO	Serial Data Output			UV SEL	R-Y/B-Y Select Signal	
	SBT	Serial Clock					
	SCAN0-5	Key Scan 0-5		V	V1-V4	V. CCD Drive Pulse	
	SCK	Serial Clock			VB	VH Filter Switching	
	SCR	Search			VCE	Power Terminal	
	SCR, S.C.R.	Still Cue Review			VCNTL	Video Control	
	SEG.	Segment			VCO	Voltage Control Oscillator	
	SET	White Balance Set			VCP	Shift Clock Output for Vertical Drive	
	SH/IRIS	Shutter/Iris Control			VCTLD	Video Control	
	SHIFT	Capacitor for Phase Shift			VCTRL	Voltage Charge Control	
	SI	Serial Data Input			VD	Vertical Drive Pulse	
	SIC	Shift In Clock Input			VDDX	X Drive Power for Colour LCD	
	SIOC	Serial In/Out Control			VDDXY	XY Drive Power for Colour LCD	
	SMCE	Shuffling Memory Chip Enable			VDDY	Y Drive Power for Colour LCD	
	SMRS	Shuffling Memory Read Strobe			VDREC	Video Delayed Rec	
	SMWE	Shuffling Memory Write Enable			Vgg	Voltage for Gate IC	
	SMWS	Shuffling Memory Read Strobe			Vgl	Gate off Voltage	
	SNAP	Snap Shot			VID	Video Signal Out	
	SNS LED	Sensor LED			VIN	Video In	
	SO	Serial Data Output			VITC	Vertical Interval Time Code	
	SPA	ATF Sampling Pulse			VITERBI	One of Signal Detection Method	
	SPEN	8 Bit Shift Register Enable			VL	Low Voltage	
	SPK	Speaker			VLC	Variable Length Coding	
	SPO	Reset for Switching Power			VLOCKP	Artificial Sync Pulse	
	SPST	8 Bit Shift Register Strobe			VLP	Artificial Sync Pulse	
	SREELP	Supply Reel Pulse			VM	Motor Voltage	
	SRT	Start			VMD	Velocity Mode Data	
	SSA	Start Sync block Area			VMD1-3	Electric Shutter Mode	
	SSW	Select Signal for Low Pass Filter					
	ST5V	Safety Tab 5V					
	STAB	Safety Tab Switch					
	STB	Stand by Signal					
	STB	Strobe					

INITIAL/LOGO		ABBREVIATIONS	INITIAL/LOGO		ABBREVIATIONS
	VMODE	NTSC/PAL Select Switch			
	VMVH	VH Filter Switching			
	VORP	Video Overlap			
	VRB	Voltage Reference Bottom			
	VRBS	Voltage Reference Bottom Output			
	VREF1R3V	Reference Voltage 1.3V			
	VREF3R3V	Reference Voltage 3.3V			
	VREFH	Reference Voltage High Side			
	VREFL	Reference Voltage Low Side			
	VRI	Reference Voltage Input			
	VRO	Reference Voltage Output			
	VRT	Voltage Reference Top			
	VRTS	Voltage Reference Top Output			
	VS	Switching Comparator			
	VSS	Vertical Sync Signal			
	VSSX	X Driver Power for Colour LCD			
	VSSXY	X-Y Driver Power for Colour LCD			
W	W/N	Mode Select for Window Mode			
	W/N	Wide / Normal			
	WAD	Write Address Enable			
	WAE	Write Address Enable			
	WAERAE	Write Address Enable			
	WARI	Interrupt			
	WB	White Balance			
	WE	Write Enable			
	WEM	Memory Write Enable			
	WHD	Wide Horizontal Drive Pulse			
	WIDE A	Wide Zoom			
	WSB	B AGC Control			
	WSR	R AGC Control			
	WTV	Wide TV			
X	XP	FG Logic Reset			
Y	Y FM0-7	Y Field Memory 0-7			
	YCE	Cylinder Error Code			
	YGC	Y Gain Control			
	YMO 0-7	Y Field Memory 0-7			
	YNCST	Noise Canceller			
	YNR	Luminance Noise Reduction			
	YSDP 0-7	Digital Y Out 0-7			
Z	Z.ENC	Zoom Encoder			
	Z.MIC	Zoom Mic			
	ZENC	Zoom Encoder Output			
	ZMDIR	Zoom Drive			
	ZMEN	Zoom Enable			
	ZMT	Zoom Motor Tele Side			
	ZMT (+)/(-)	Zoom Motor (+)/(-)			
	ZMTER	Zoom Motor Tele Side			
	ZMW	Zoom Motor Wide Side			
	ZSW	Zoom Switch			

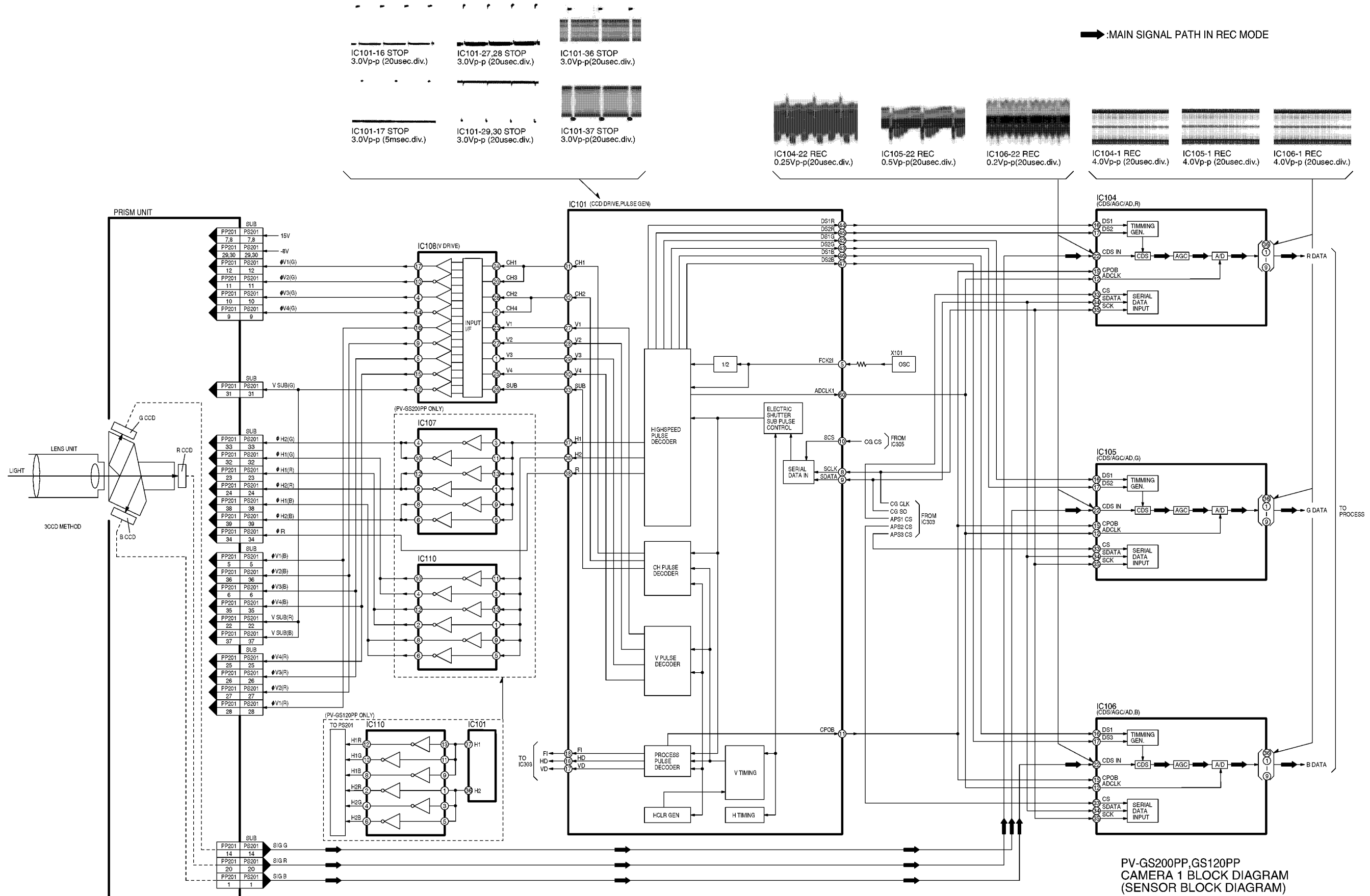
12 BLOCK DIAGRAM

12.1. OVERALL BLOCK DIAGRAM



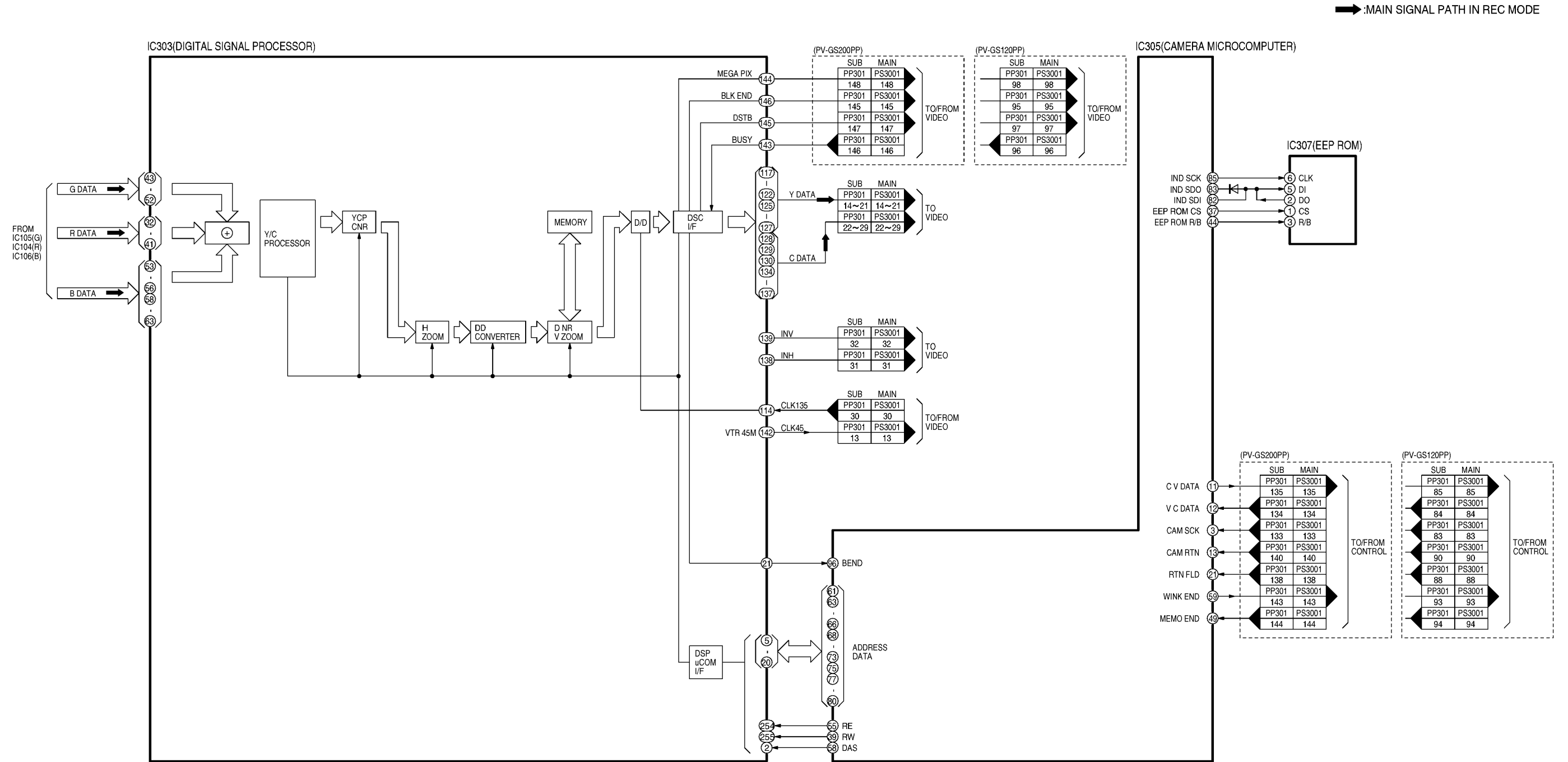
PV-GS200PP, GS120PP
OVERALL BLOCK DIAGRAM

12.2. CAMERA 1 BLOCK DIAGRAM (SENSOR BLOCK DIAGRAM)



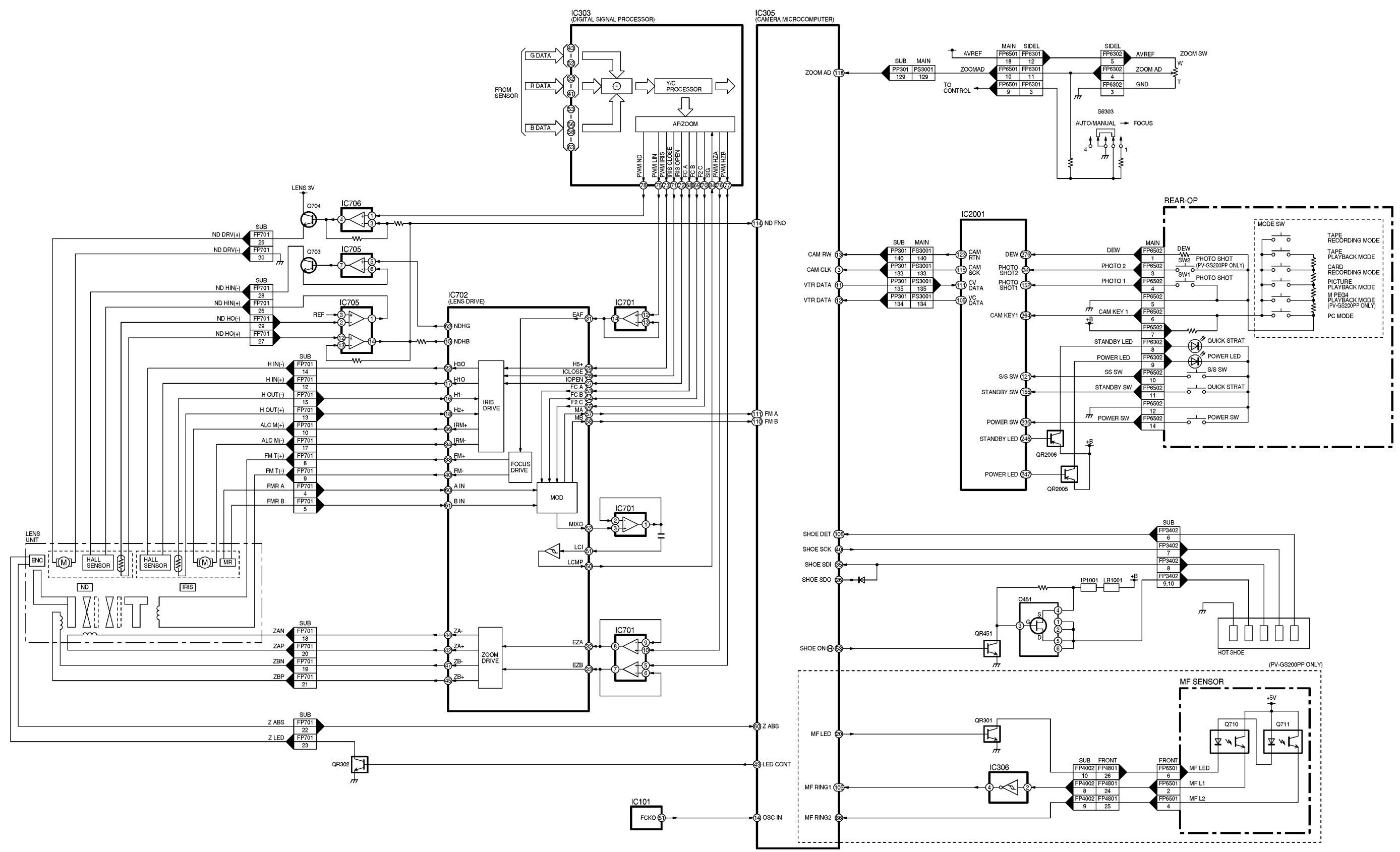
PV-GS200PP,GS120PP
CAMERA 1 BLOCK DIAGRAM
(SENSOR BLOCK DIAGRAM)

12.3. CAMERA 2 BLOCK DIAGRAM (PROCESS BLOCK DIAGRAM)



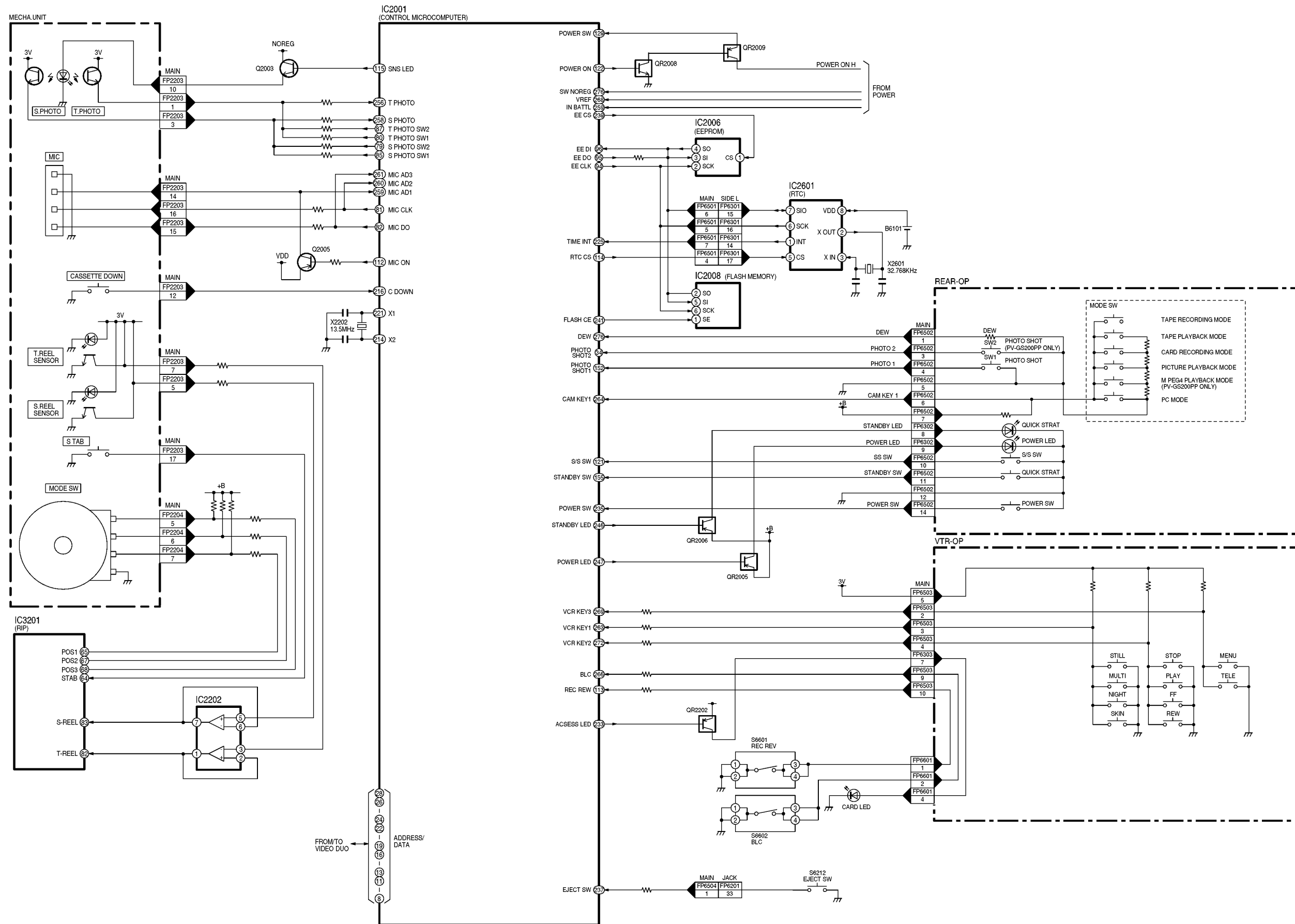
PV-GS200PP,GS120PP
CAMERA 2 BLOCK DIAGRAM
(PROCESS BLOCK DIAGRAM)

12.4. LENS DRIVE BLOCK DIAGRAM





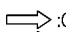
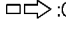
PV-GS200PP,GS120PP LENS DRIVE BLOCK DIAGRAM

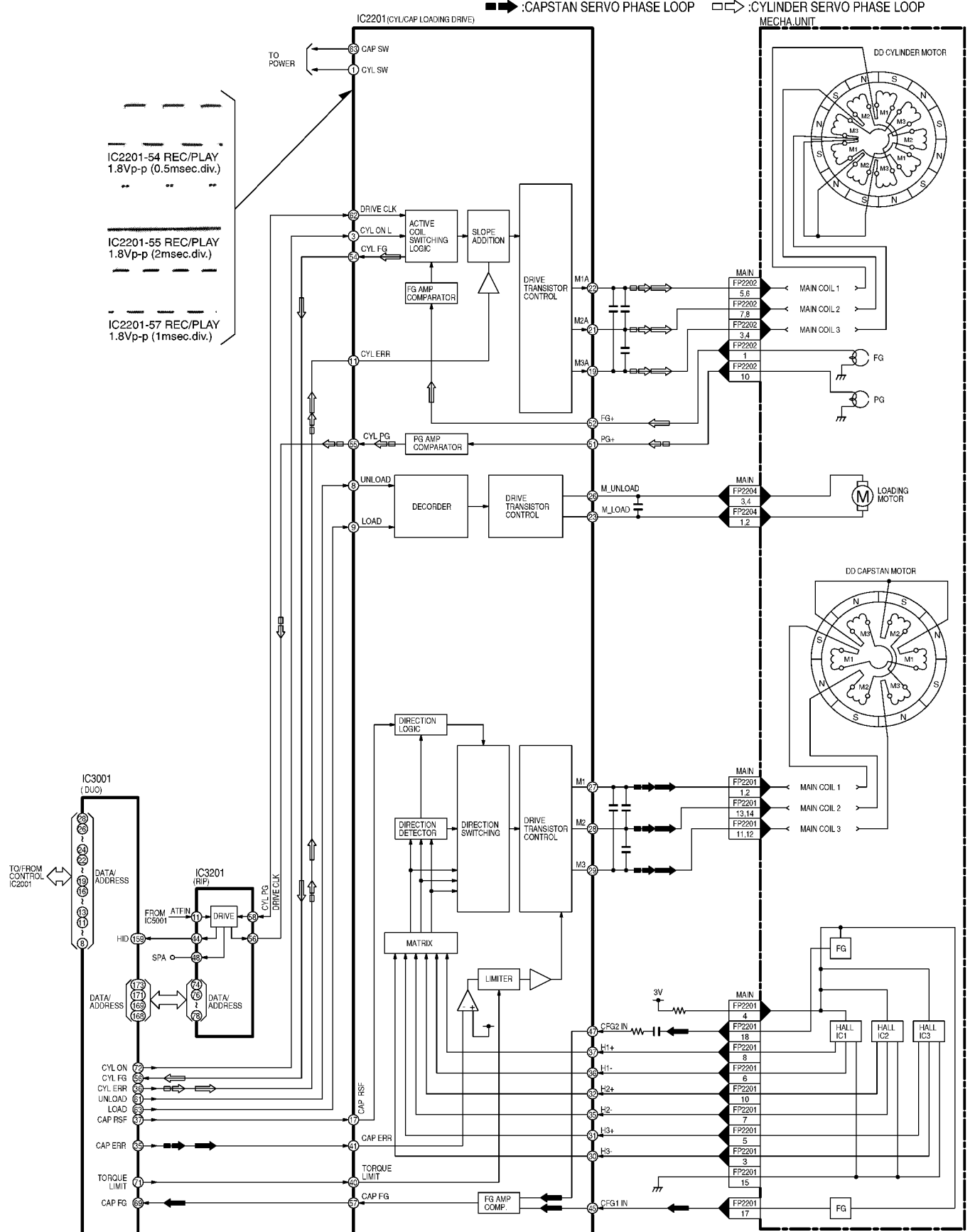
12.5. CONTROL 1 BLOCK DIAGRAM



PV-GS200PP,GS120PP CONTROL 1 BLOCK DIAGRAM

12.6. CONTROL 2 BLOCK DIAGRAM

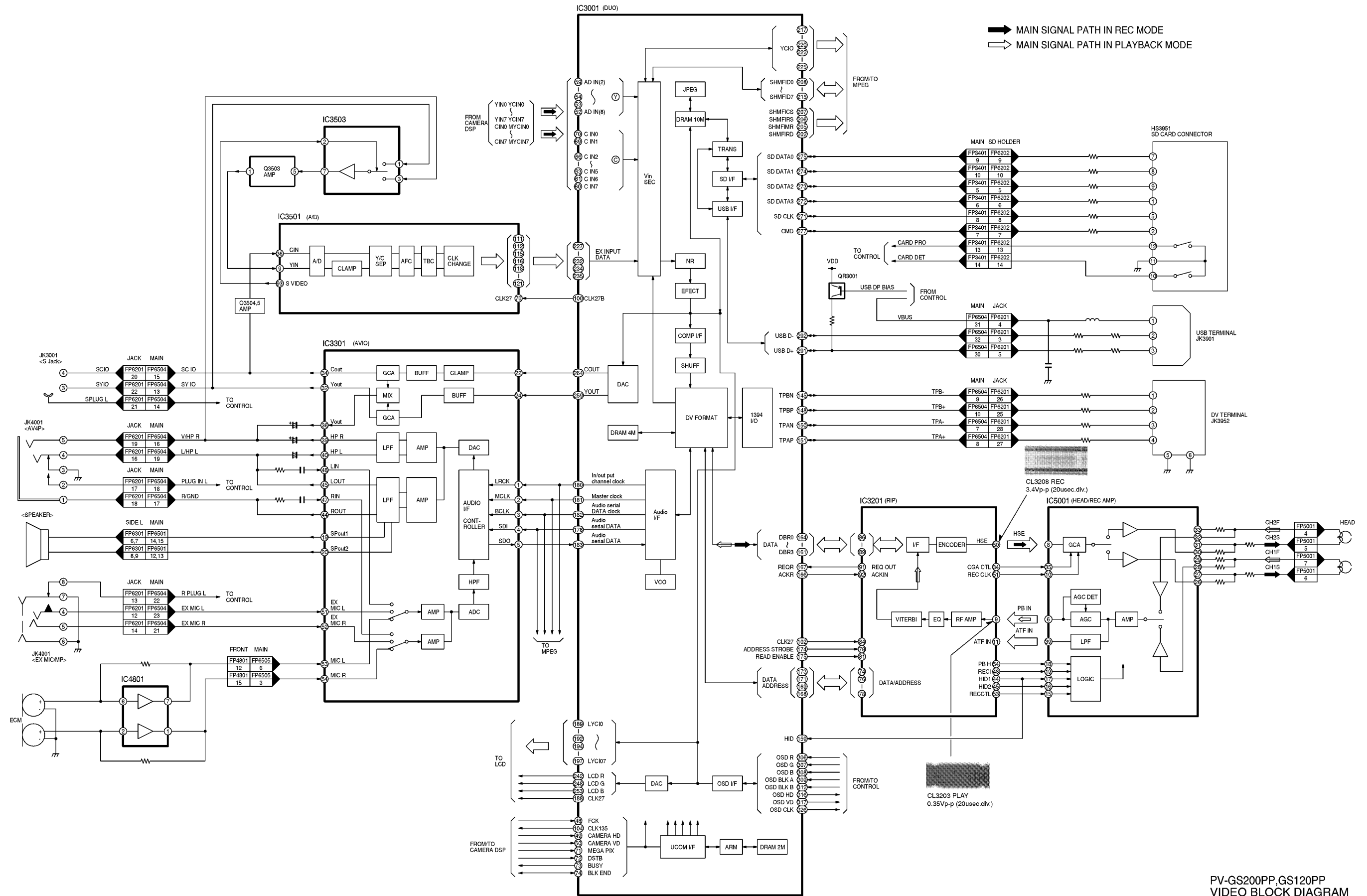
 :CAPSTAN SERVO SPEED LOOP
 :CAPSTAN SERVO PHASE LOOP
 :CYLINDER SERVO SPEED LOOP
 :CYLINDER SERVO PHASE LOOP



IC2201-54 REC/PLAY
 1.8Vp-p (0.5msec.div.)
 IC2201-55 REC/PLAY
 1.8Vp-p (2msec.div.)
 IC2201-57 REC/PLAY
 1.8Vp-p (1msec.div.)

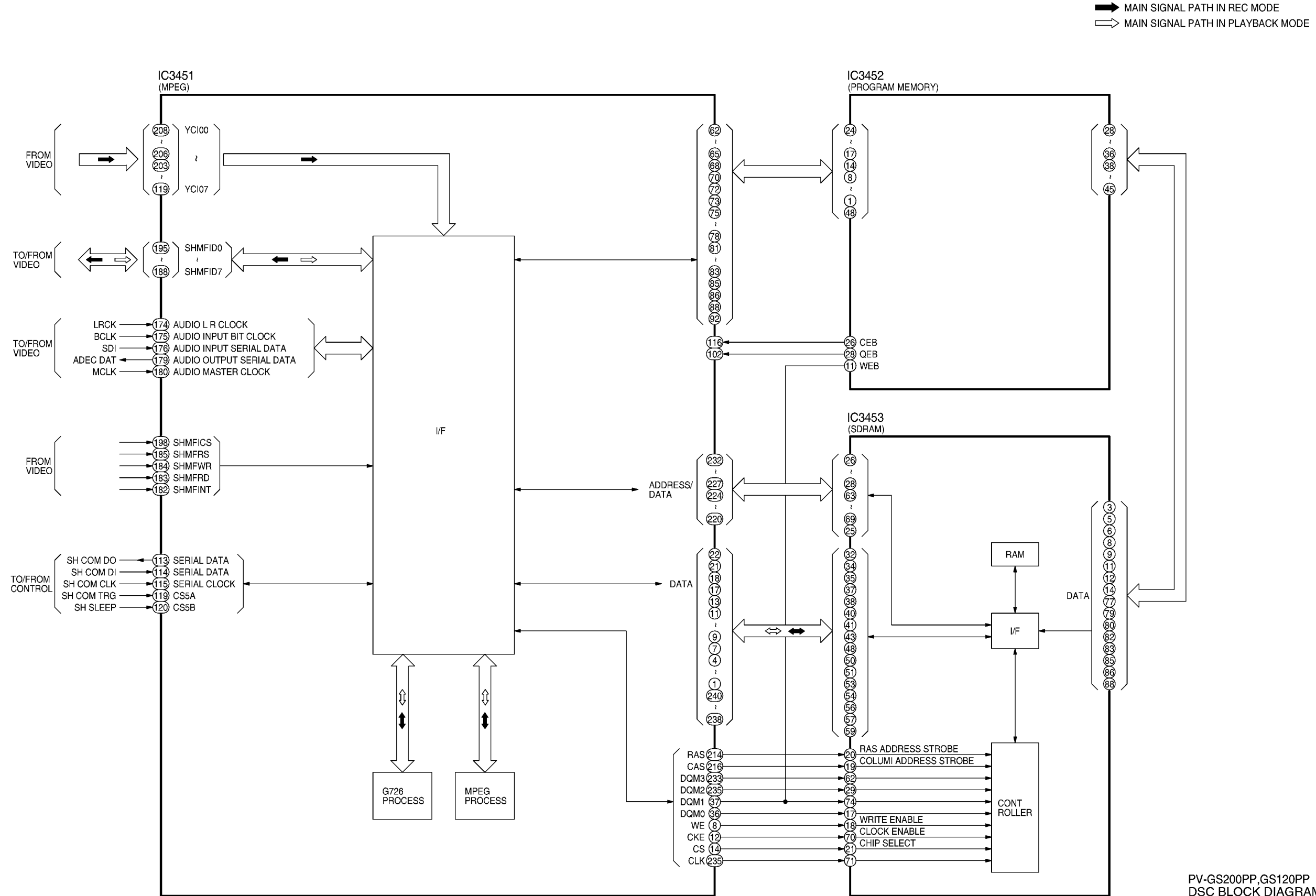
PV-GS200PP,GS120PP CONTROL 2 BLOCK DIAGRAM

12.7. VIDEO BLOCK DIAGRAM



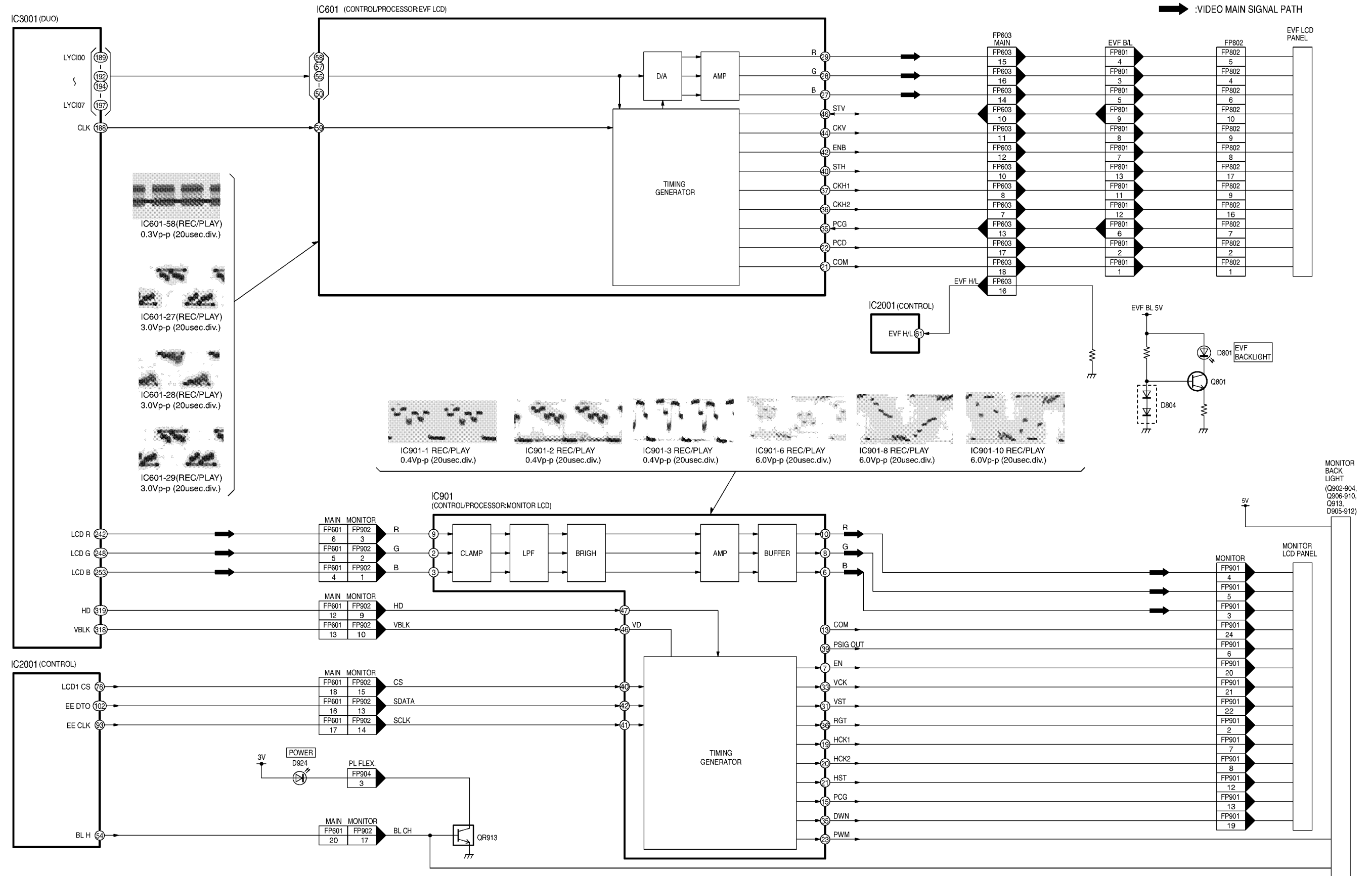
PV-GS200PP,GS120PP VIDEO BLOCK DIAGRAM

12.8. DSC BLOCK DIAGRAM (PV-GS200PP ONLY)



PV-GS200PP,GS120PP
 DSC BLOCK DIAGRAM
 (PV-GS200PP ONLY)

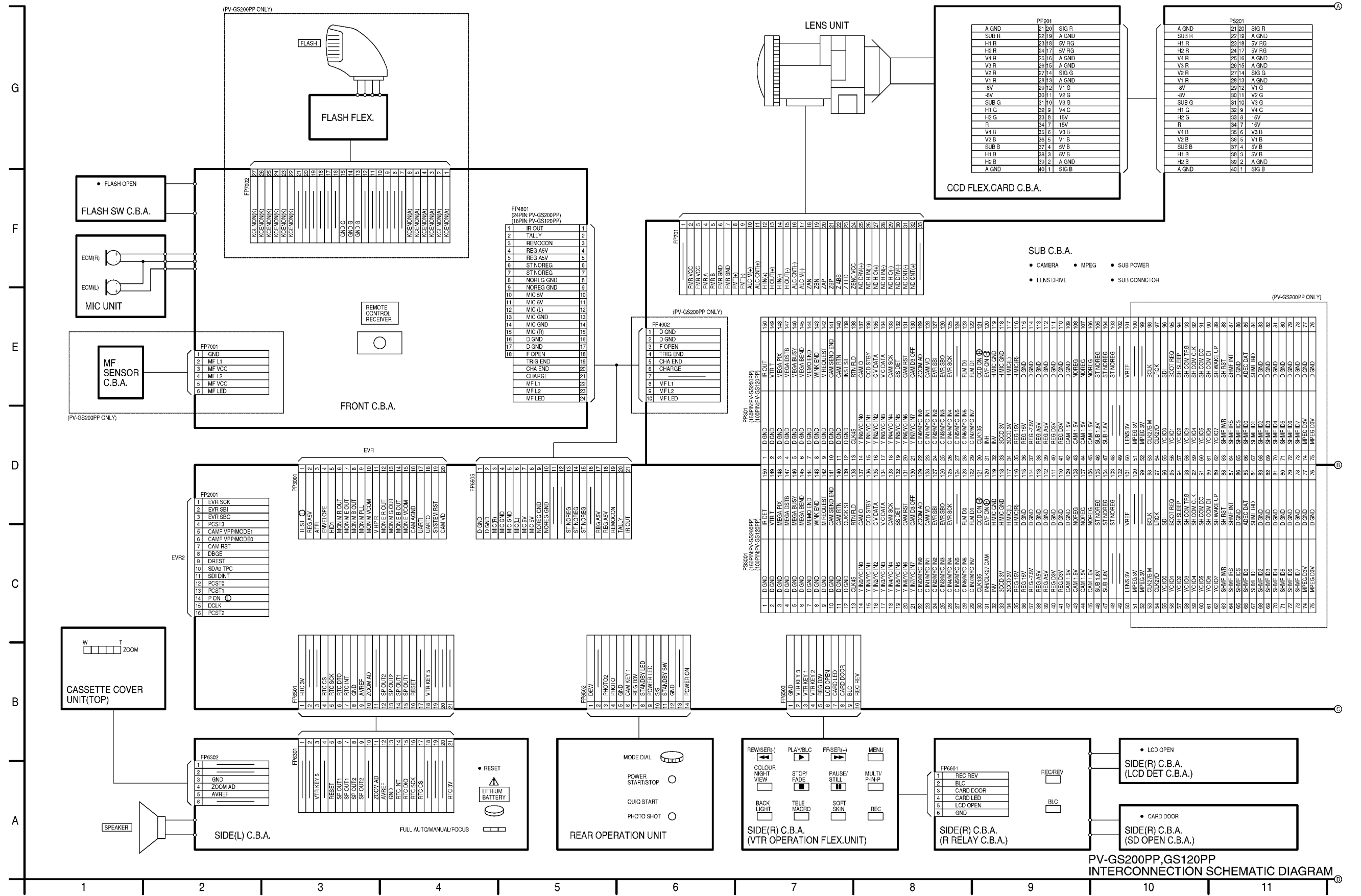
12.9. MONITOR BLOCK DIAGRAM



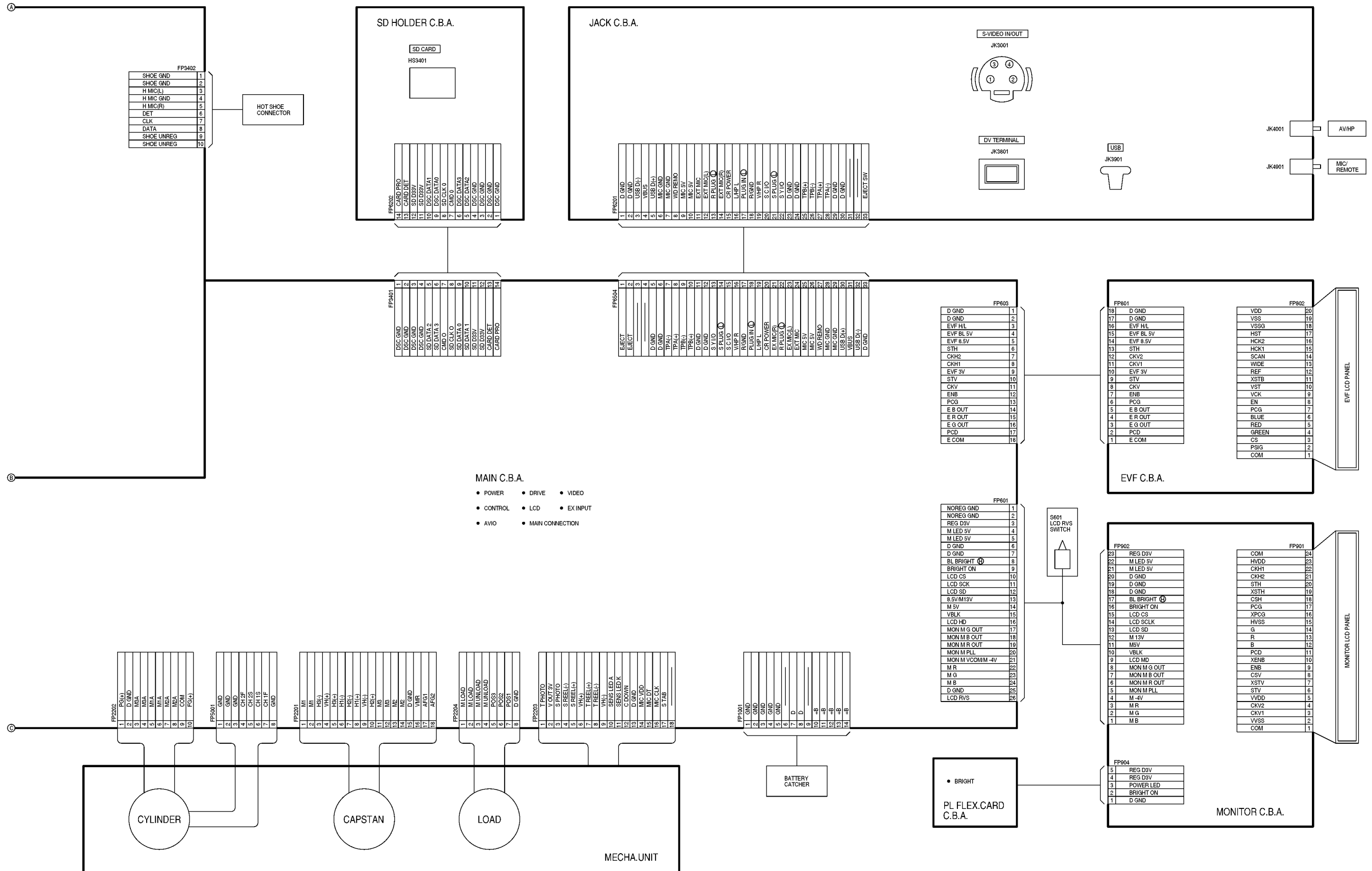
PV-GS200PP,GS120PP
MONITOR BLOCK DIAGRAM

13 SCHEMATIC DIAGRAMS

13.1. INTERCONNECTION SCHEMATIC DIAGRAM



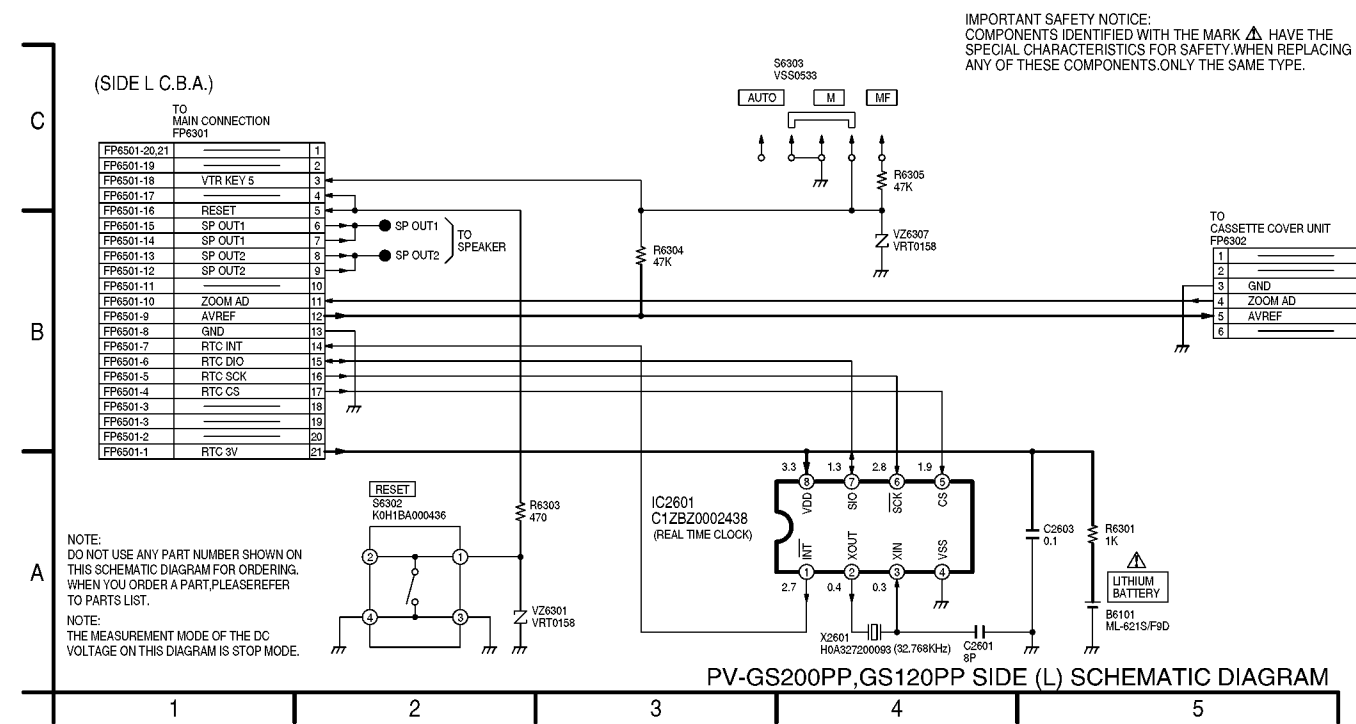
PV-GS200PP,GS120PP
INTERCONNECTION SCHEMATIC DIAGRAM



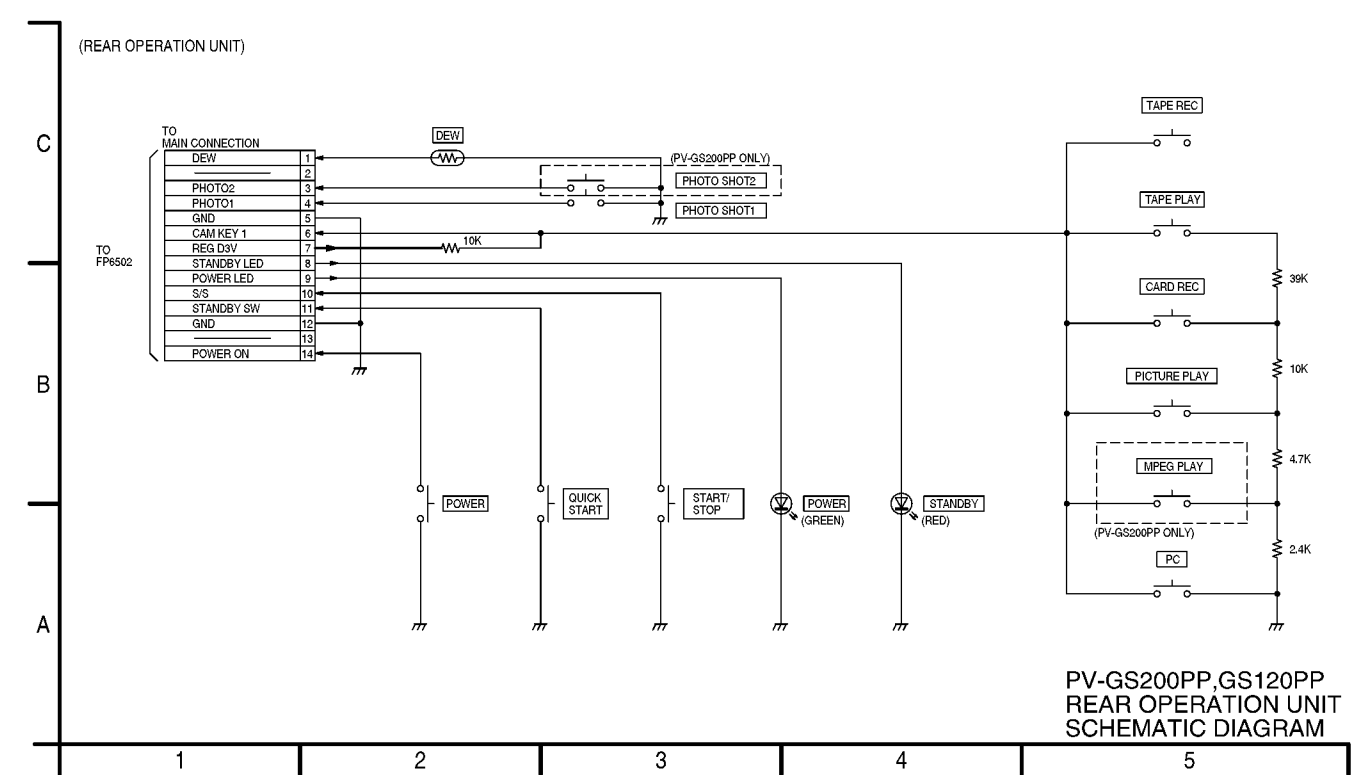
PV-GS200PP,GS120PP INTERCONNECTION SCHEMATIC DIAGRAM

PV-GS200PP,GS120PP INTERCONNECTION SCHEMATIC DIAGRAM

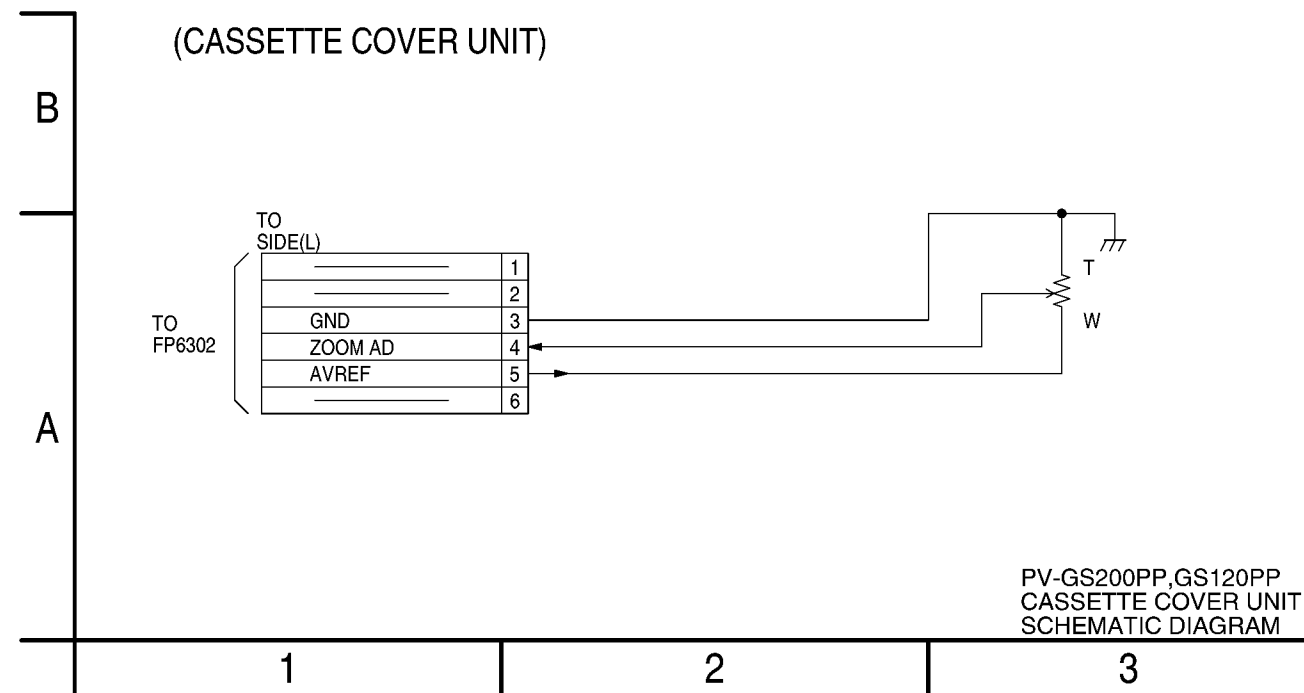
13.2. SIDE(L)SCHEMATIC DIAGRAM



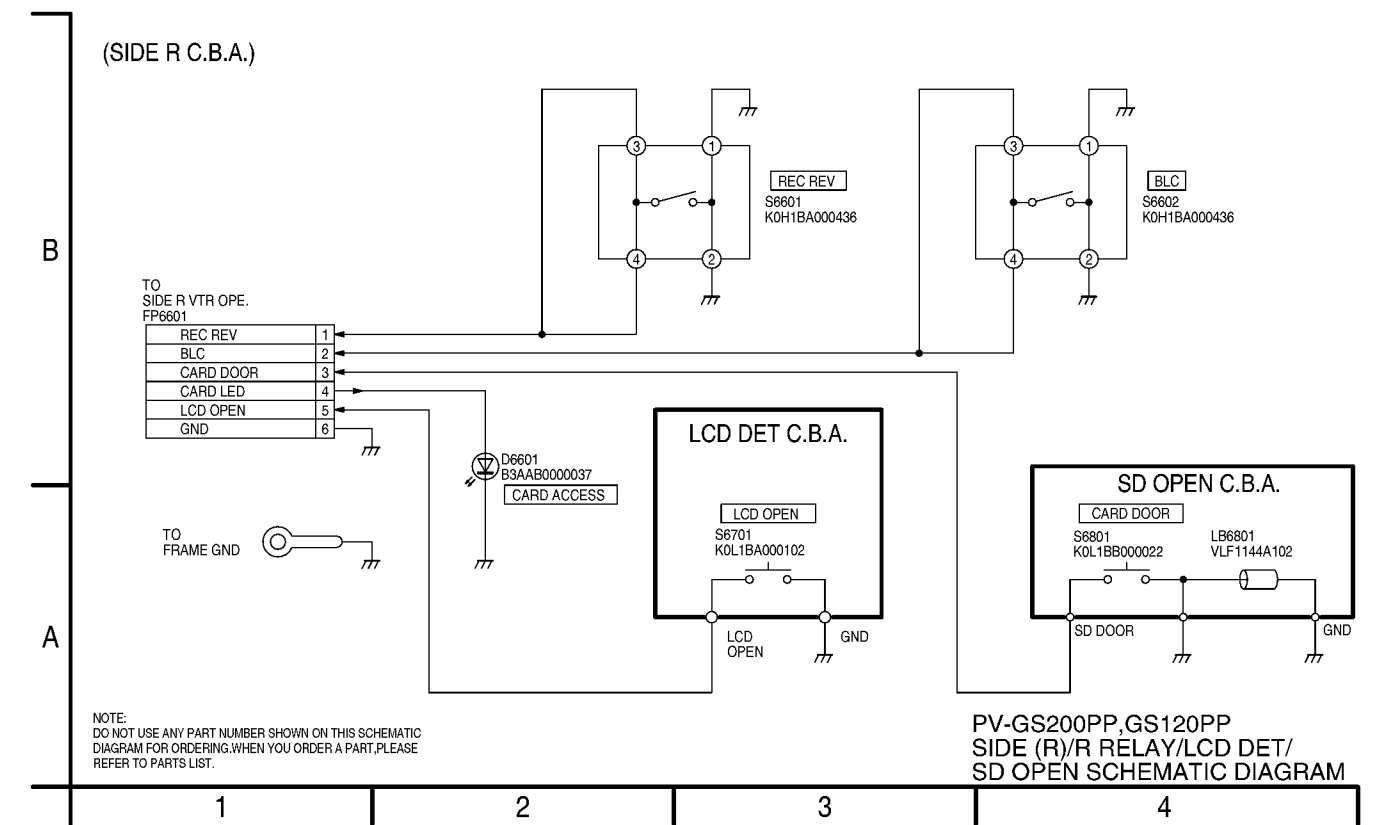
13.4. REAR OPERATION UNIT SCHEMATIC DIAGRAM



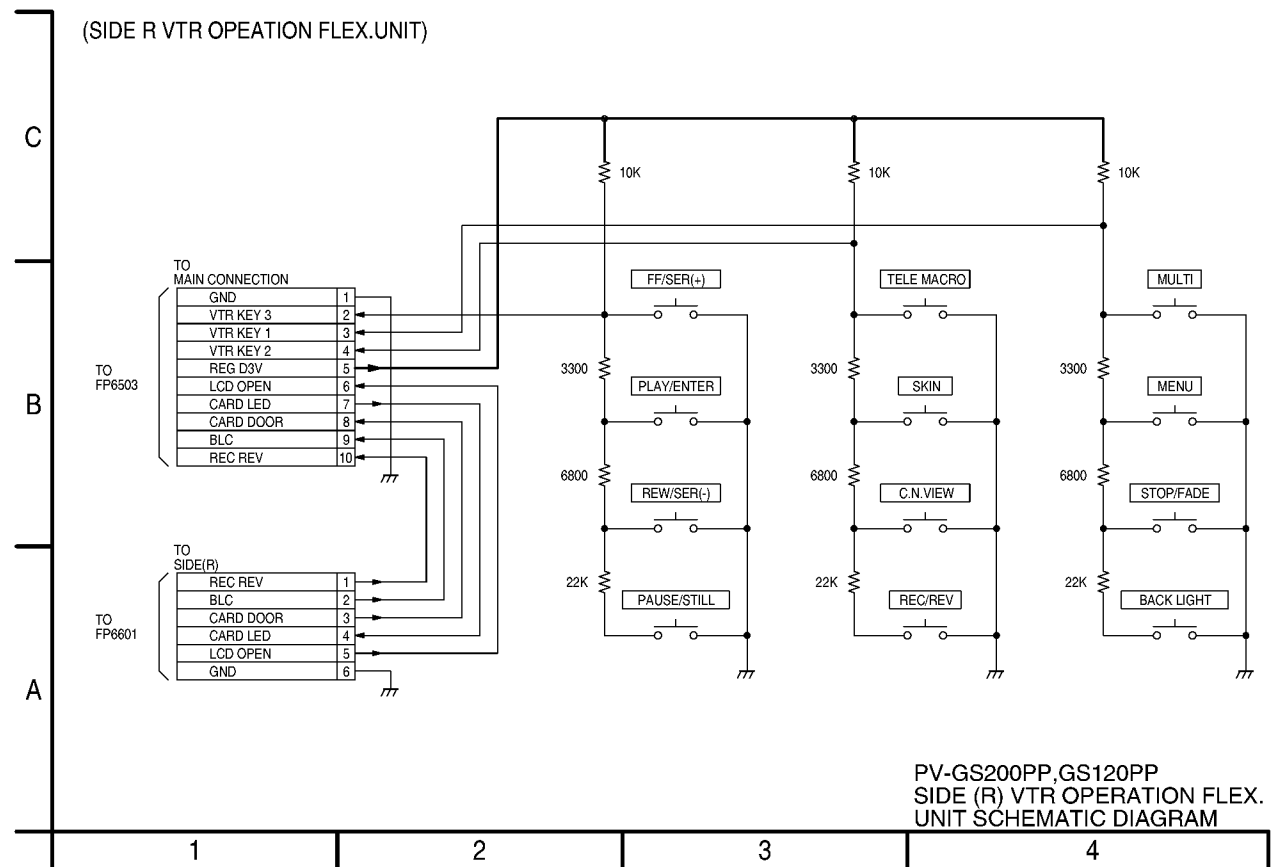
13.3. CASSETTE COVER UNIT SCHEMATIC DIAGRAM



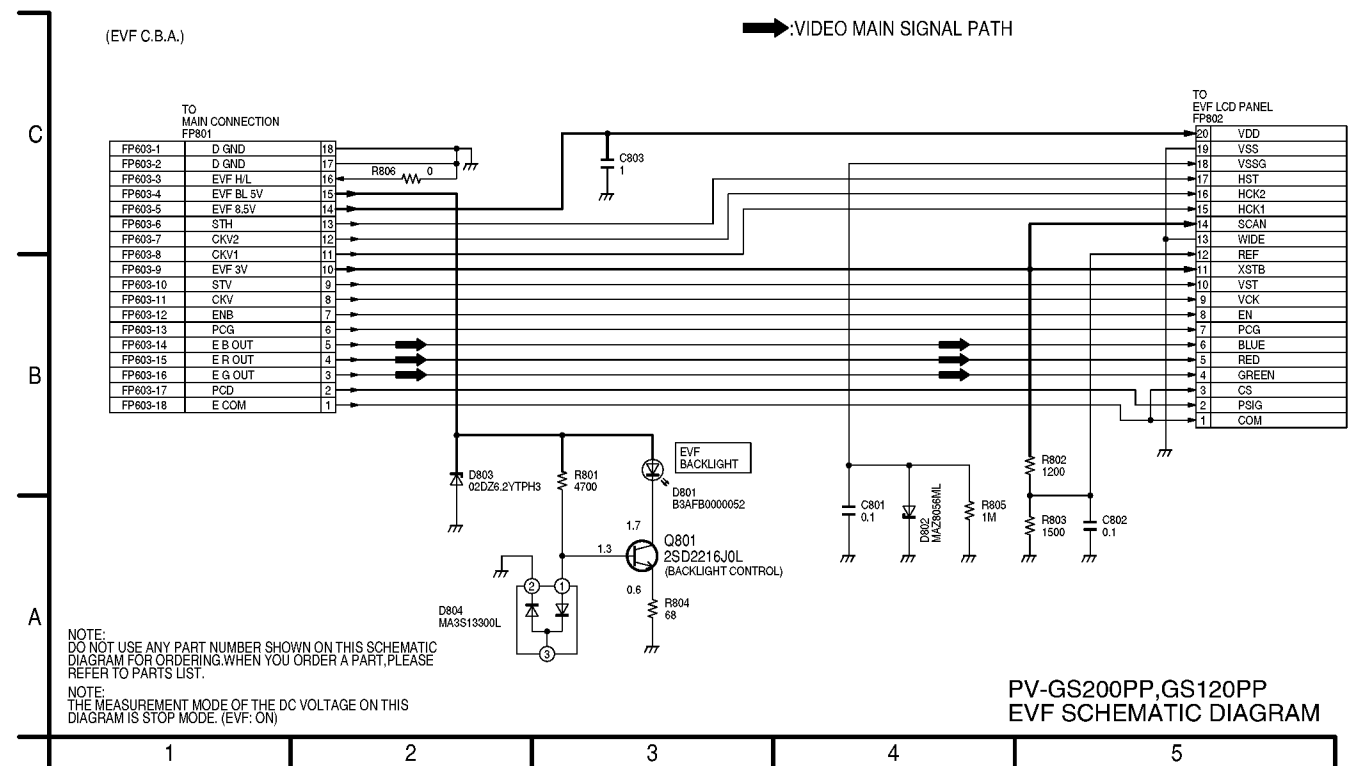
13.5. SIDE (R) / R RELAY / LCD DET / SD OPEN SCHEMATIC DIAGRAM



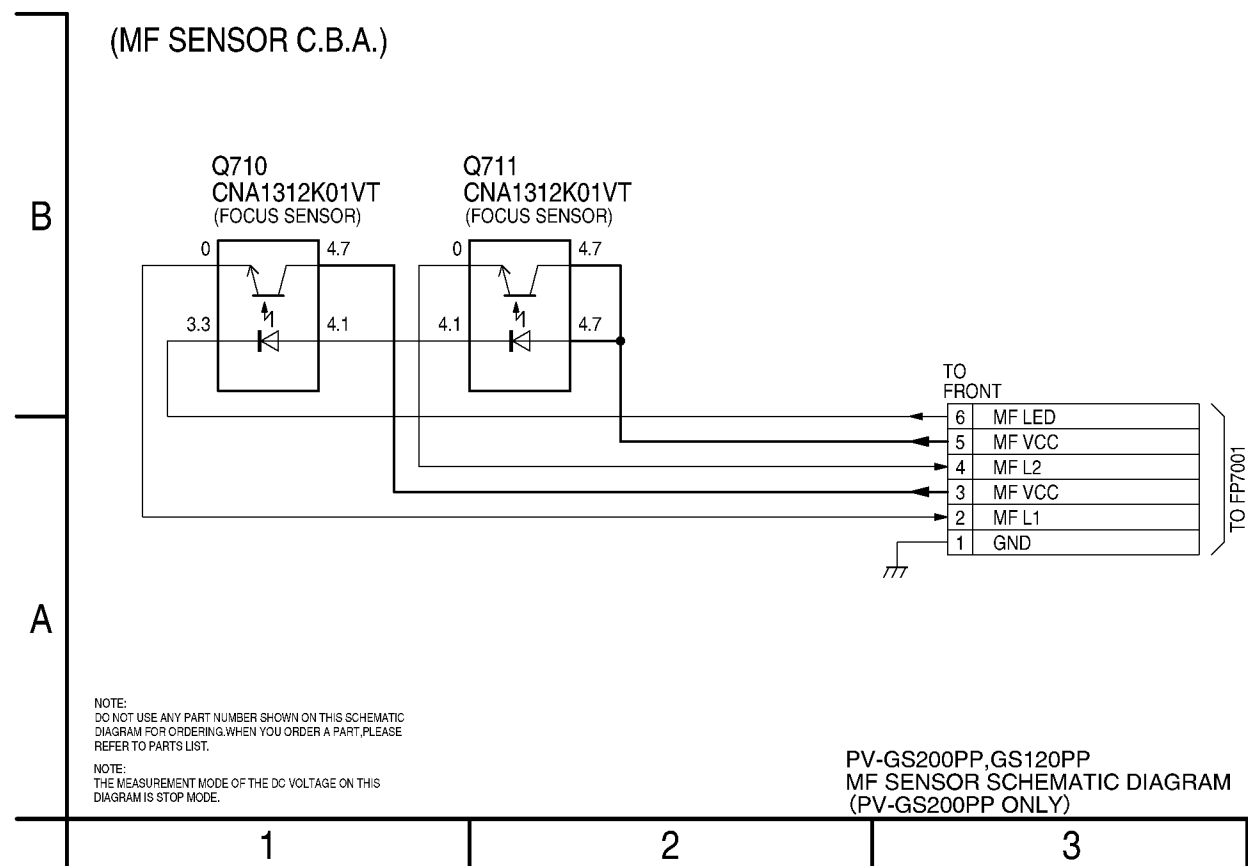
13.6. SIDE (R) VTR OPERATION FLEX. UNIT SCHEMATIC DIAGRAM



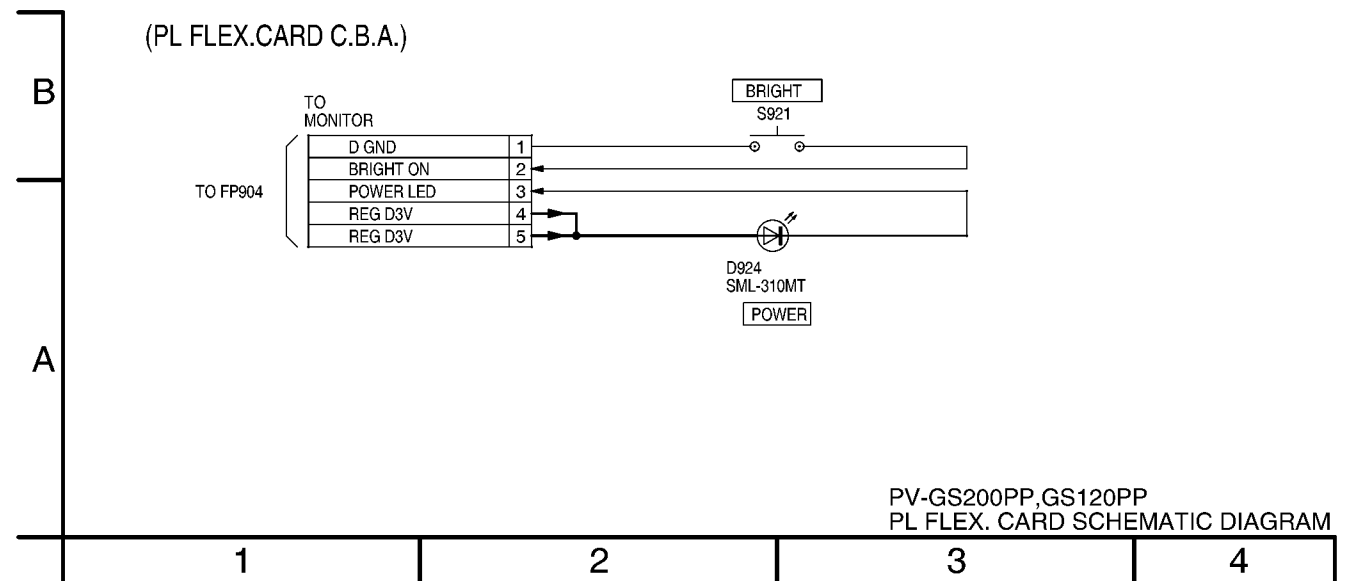
13.8. EVF SCHEMATIC DIAGRAM



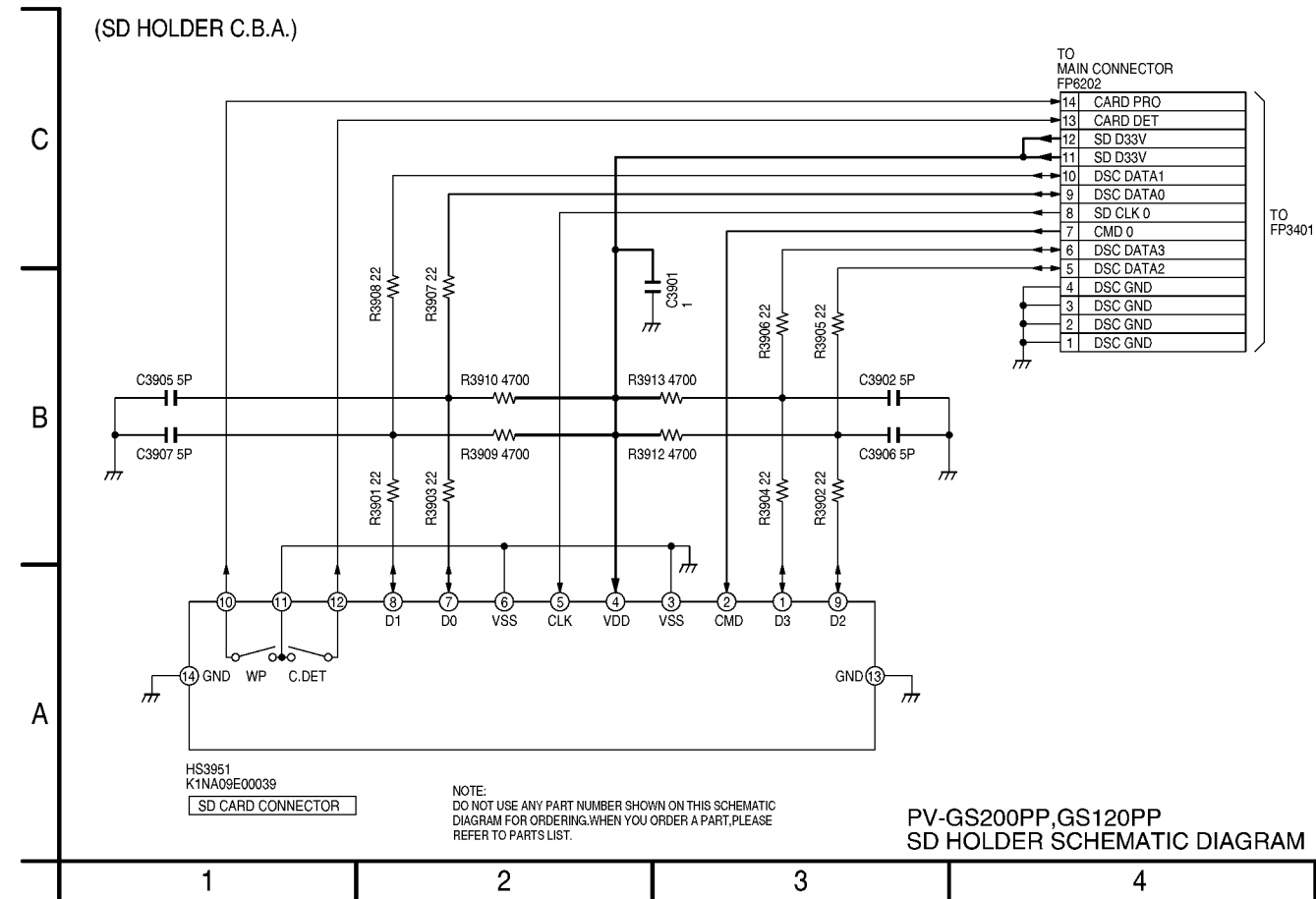
13.7. MF SENSOR SCHEMATIC DIAGRAM (PV-GS200PP ONLY)



13.9. PL FLEX. CARD SCHEMATIC DIAGRAM



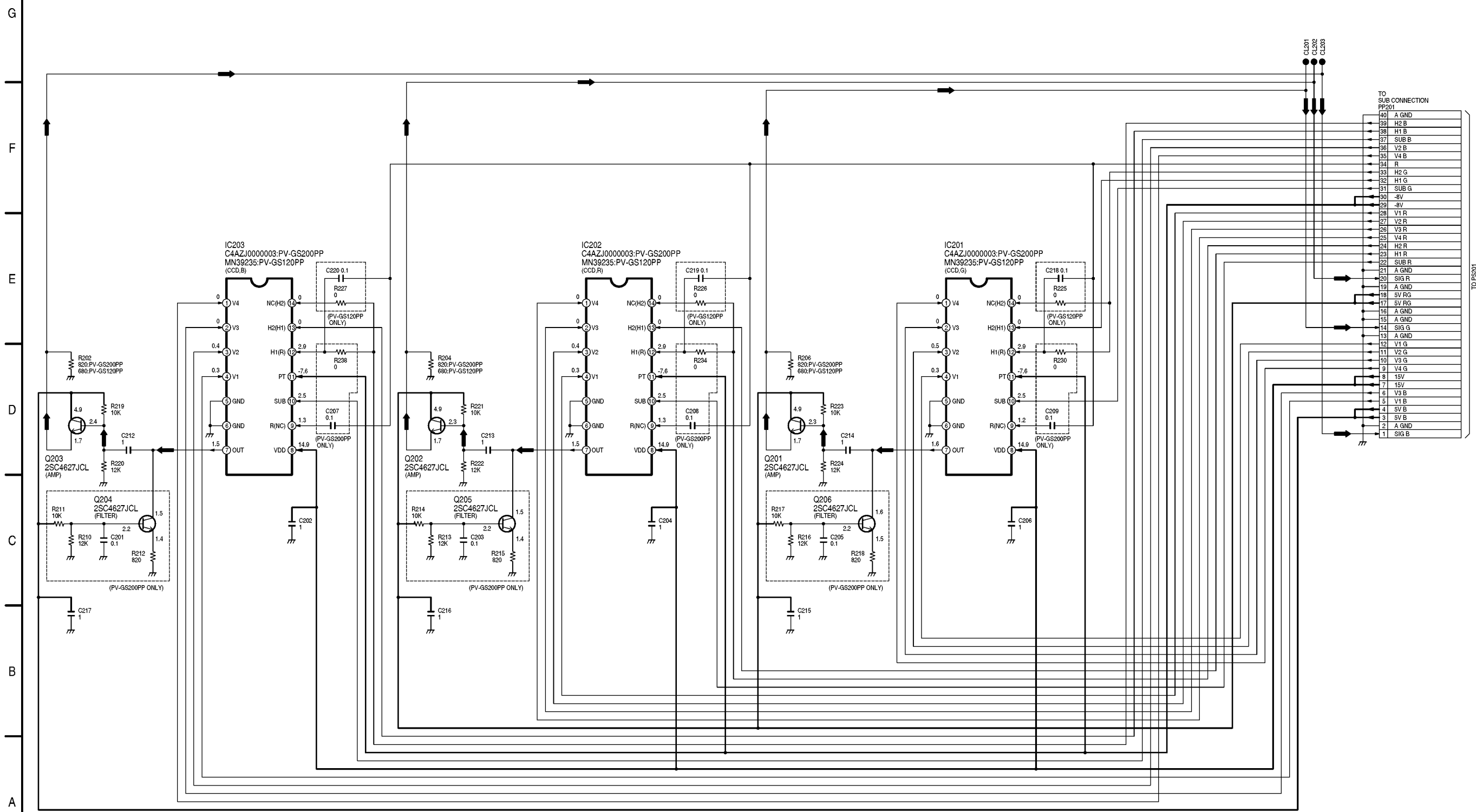
13.10. SD HOLDER SCHEMATIC DIAGRAM



13.11. CCD FLEX. CARD SCHEMATIC DIAGRAM

(CCD FLEX.CARD C.B.A.)

➔:VIDEO MAIN SIGNAL PATH

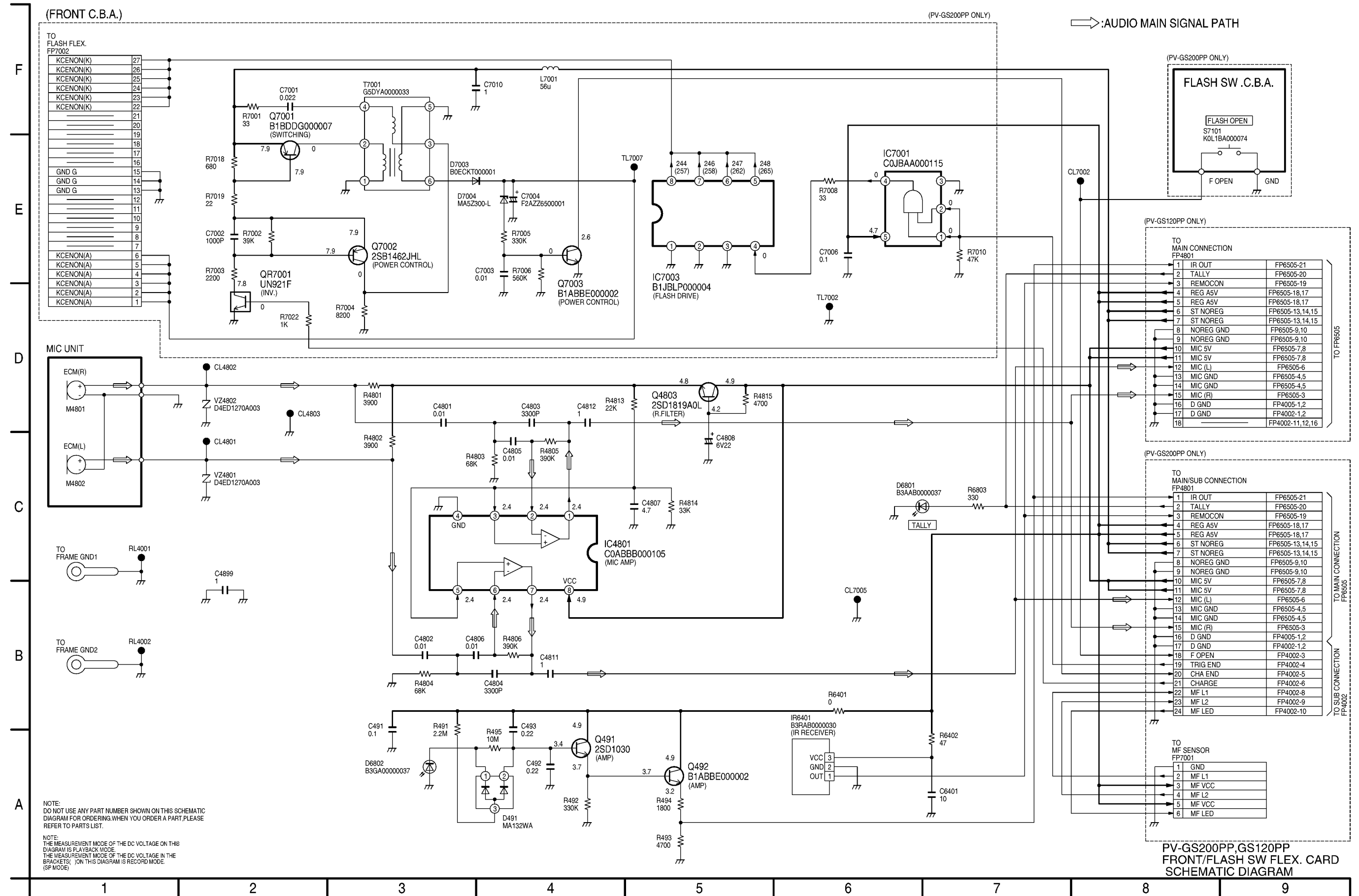


NOTE:
DO NOT USE ANY PART NUMBER SHOWN ON THIS SCHEMATIC
DIAGRAM FOR ORDERING.WHEN YOU ORDER A PART,PLEASE
REFER TO PARTS LIST.

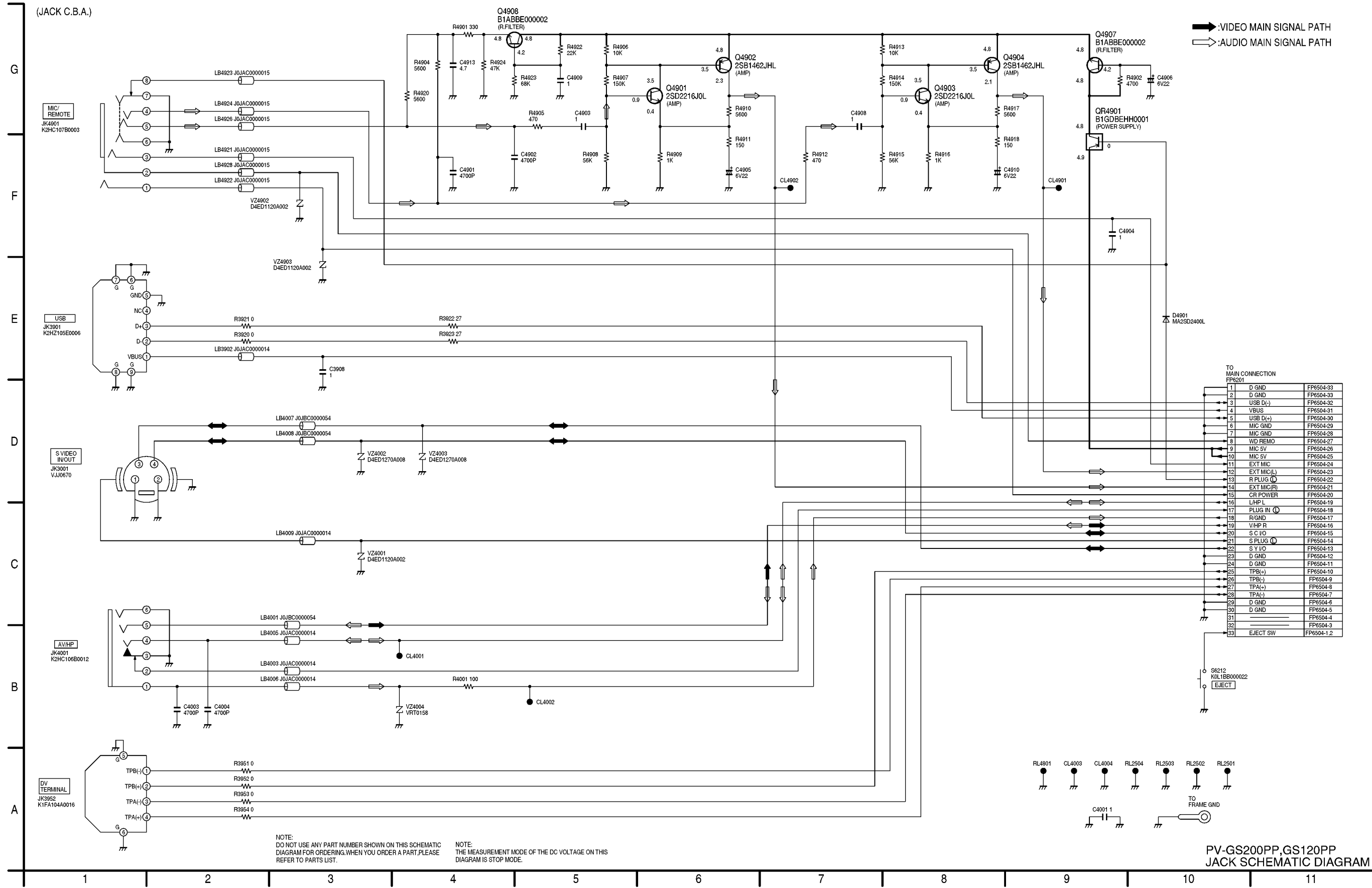
NOTE:
THE MEASUREMENT MODE OF THE DC VOLTAGE ON THIS
DIAGRAM IS STOP MODE.

PV-GS120PP,GS200PP
CCD FLEX. CARD
SCHEMATIC DIAGRAM

13.12. FRONT / FLASH SW FLEX. CARD SCHEMATIC DIAGRAM

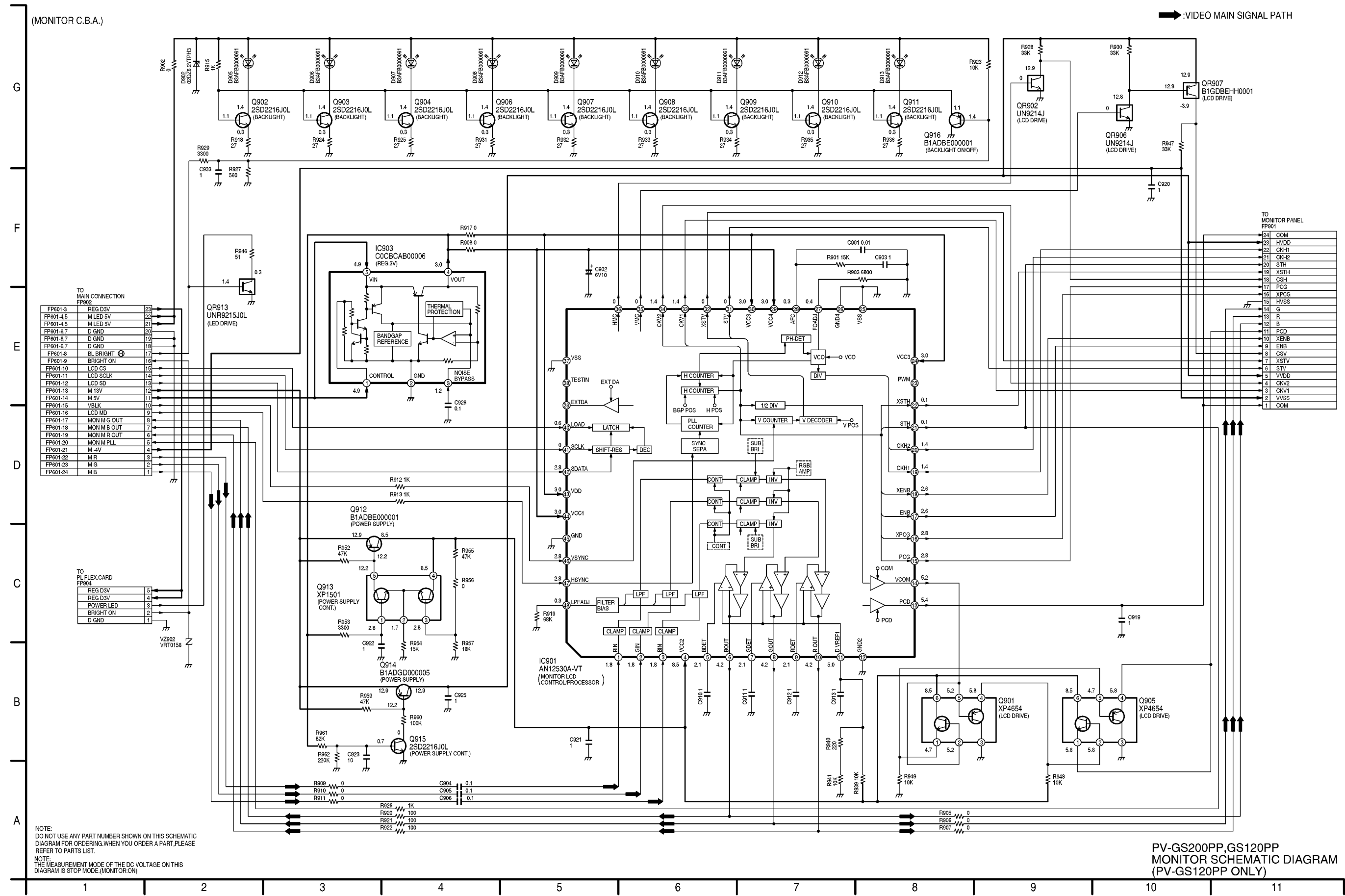


13.13. JACK SCHEMATIC DIAGRAM



PV-GS200PP,GS120PP JACK SCHEMATIC DIAGRAM

13.14. MONITOR SCHEMATIC DIAGRAM (PV-GS120PP ONLY)

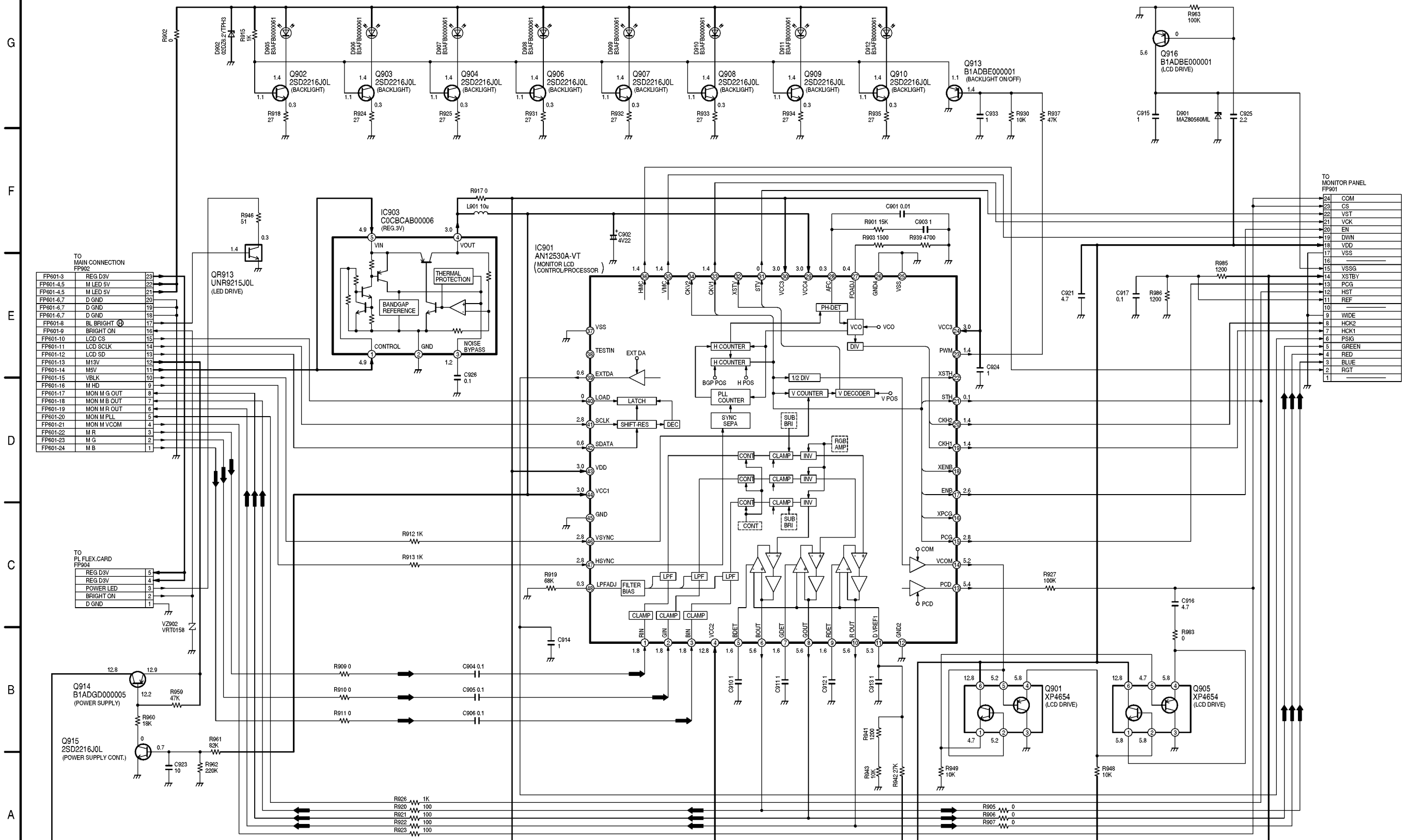


PV-GS200PP,GS120PP
MONITOR SCHEMATIC DIAGRAM
(PV-GS120PP ONLY)

13.15. MONITOR SCHEMATIC DIAGRAM (PV-GS200PP ONLY)

(MONITOR C.B.A.)

➔:VIDEO MAIN SIGNAL PATH

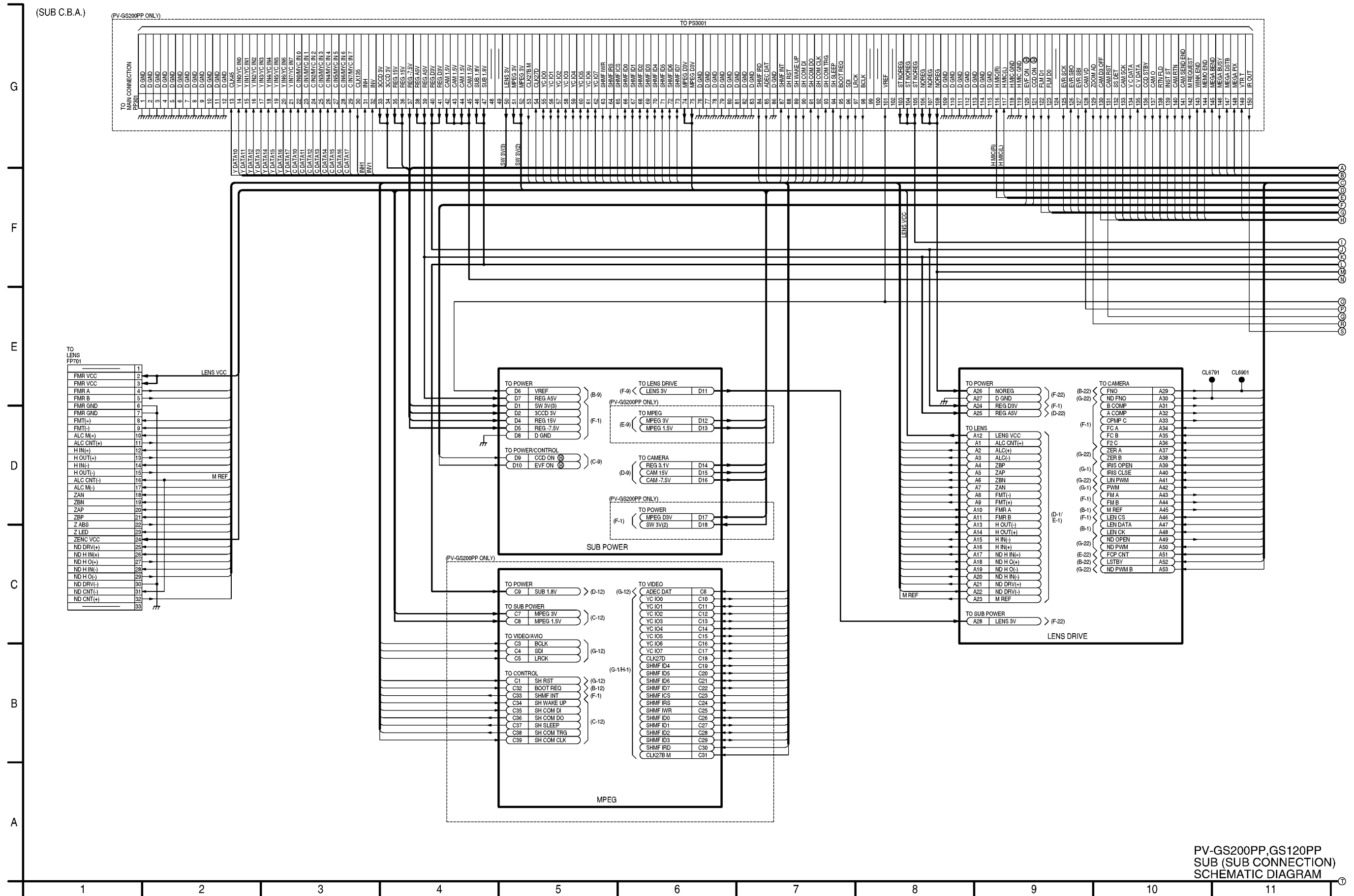


NOTE:
DO NOT USE ANY PART NUMBER SHOWN ON THIS SCHEMATIC DIAGRAM FOR ORDERING. WHEN YOU ORDER A PART PLEASE REFER TO PARTS LIST.

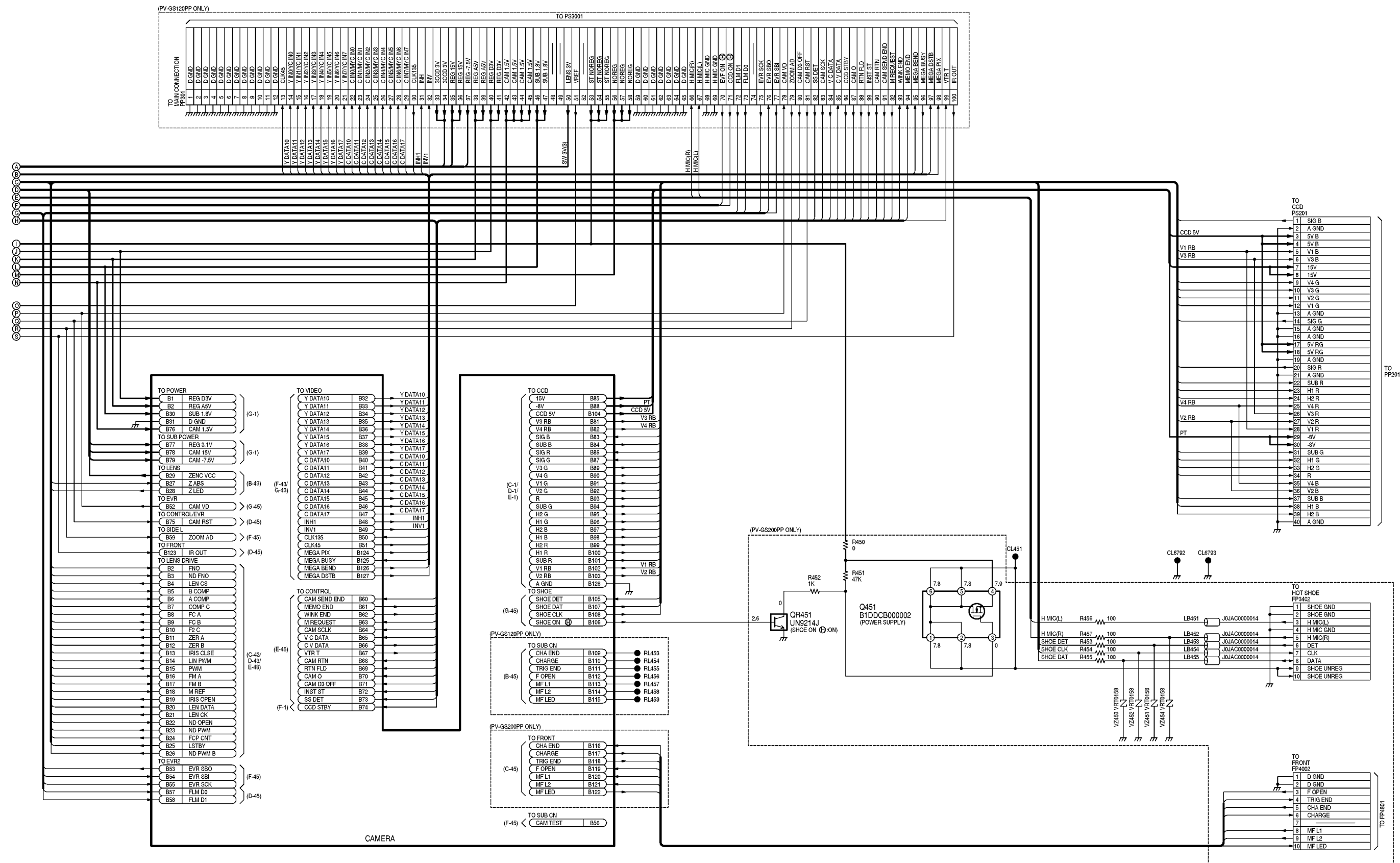
NOTE:
THE MEASUREMENT MODE OF THE DC VOLTAGE ON THIS DIAGRAM IS STOP MODE.(MONITOR ON)

PV-GS200PP,GS120PP
MONITOR SCHEMATIC DIAGRAM(PV-GS200PP ONLY)

13.16. SUB (SUB CONNECTION) SCHEMATIC DIAGRAM



PV-GS200PP,GS120PP
SUB (SUB CONNECTION)
SCHEMATIC DIAGRAM



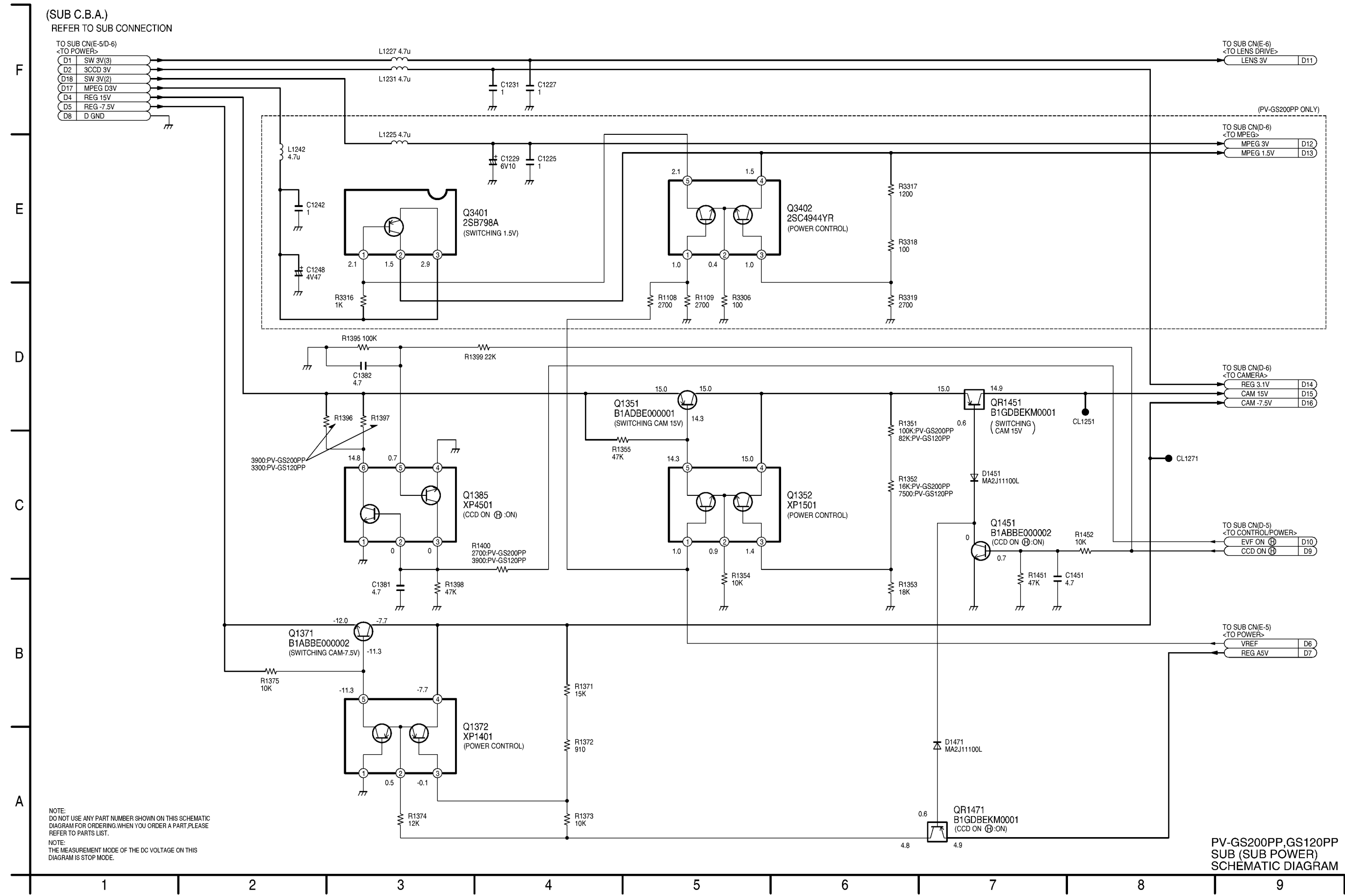
PV-GS200PP,GS120PP SUB (SUB CONNECTION) SCHEMATIC DIAGRAM

NOTE: DO NOT USE ANY PART NUMBER SHOWN ON THIS SCHEMATIC DIAGRAM FOR ORDERING.WHEN YOU ORDER A PART,PLEASE REFER TO PARTS LIST.

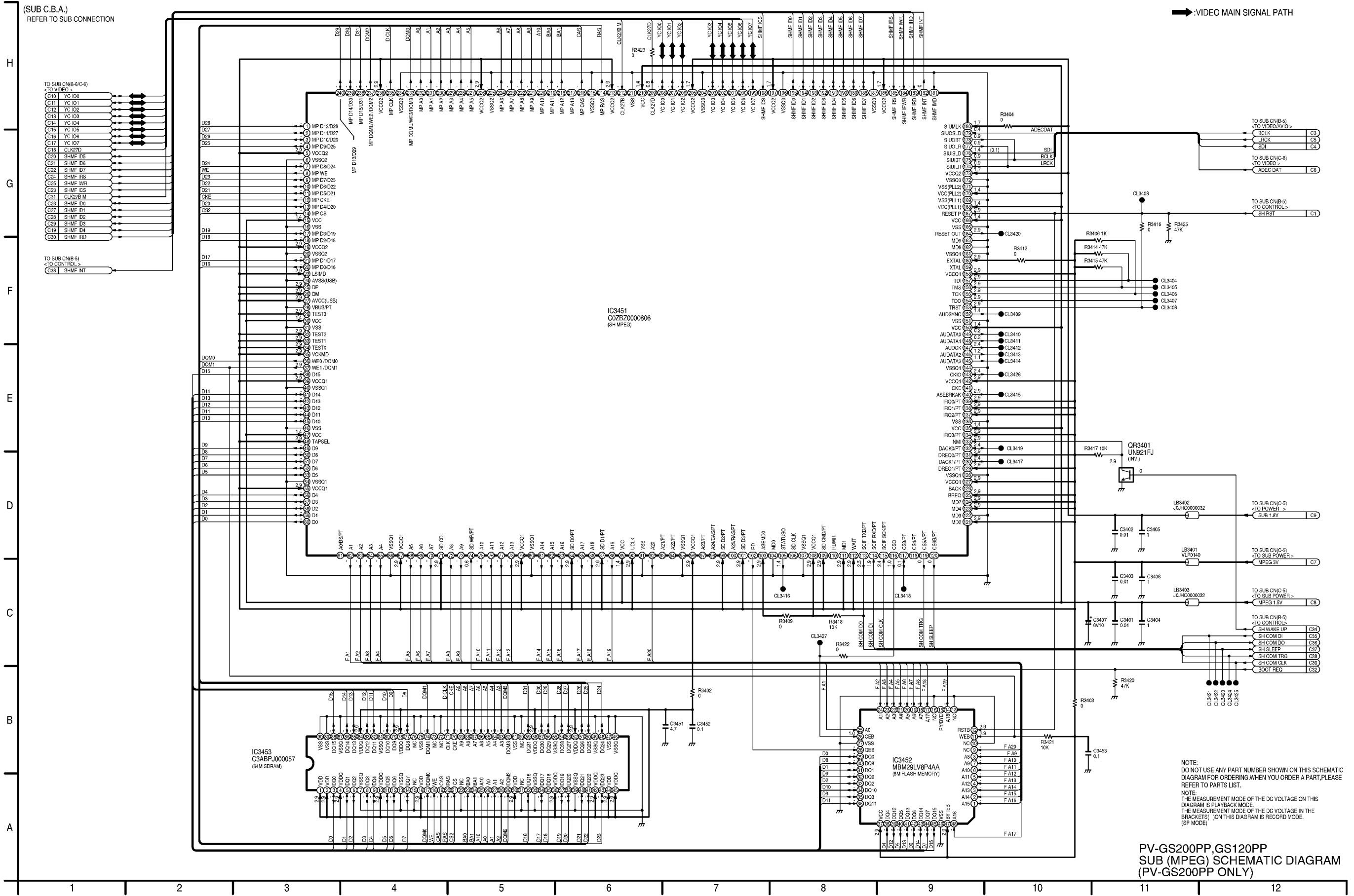
NOTE: THE MEASUREMENT MODE OF THE DC VOLTAGE ON THIS DIAGRAM IS STOP MODE.(SHOE.ON)

PV-GS200PP,GS120PP SUB (SUB CONNECTION) SCHEMATIC DIAGRAM

13.17. SUB (SUB POWER) SCHEMATIC DIAGRAM



13.18. SUB (MPEG) SCHEMATIC DIAGRAM (PV-GS200PP ONLY)



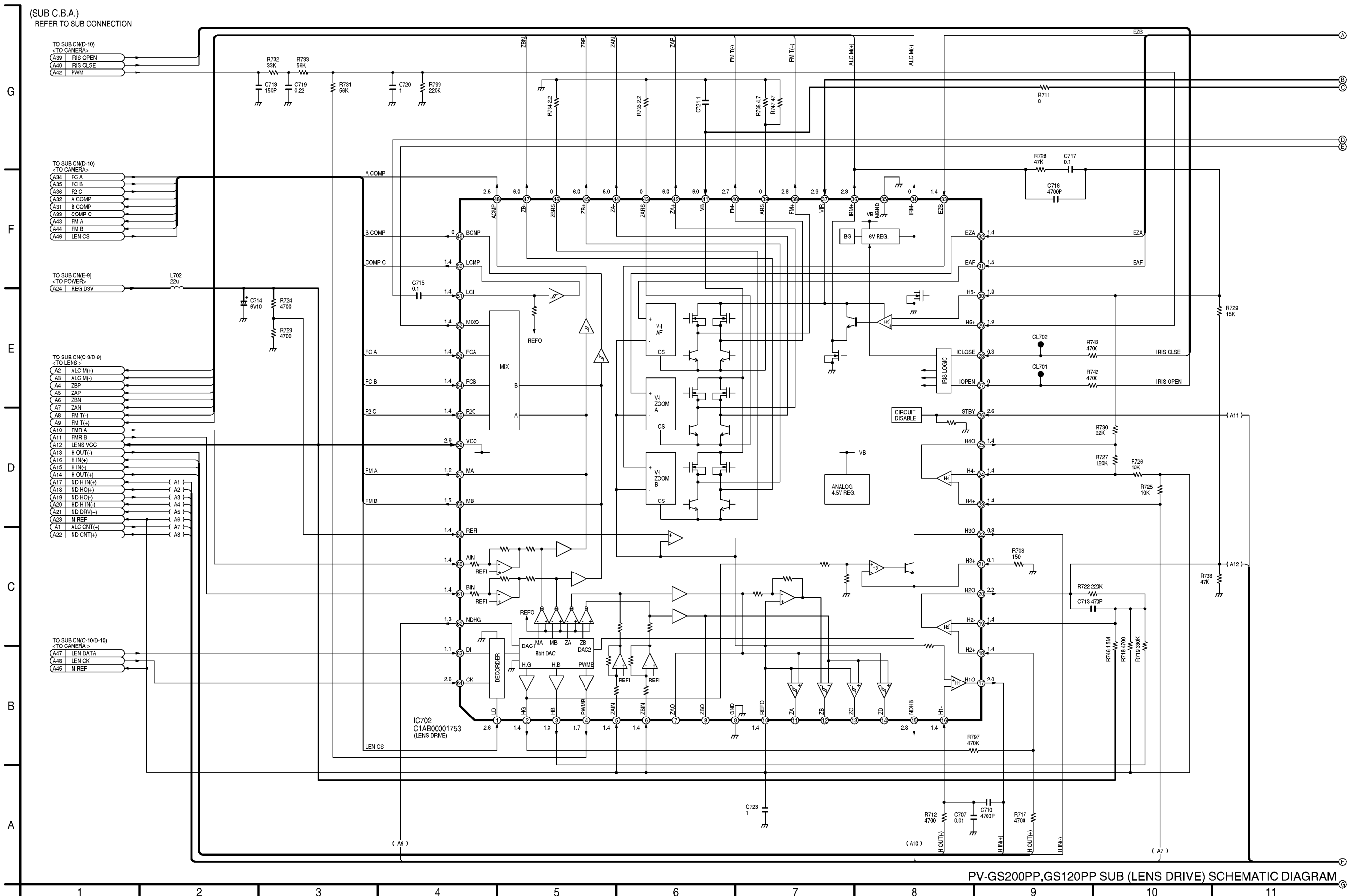
13.18.1. DSC I/O TABLE

IC3451 : DSC CONTROL MICROCOMPUTER

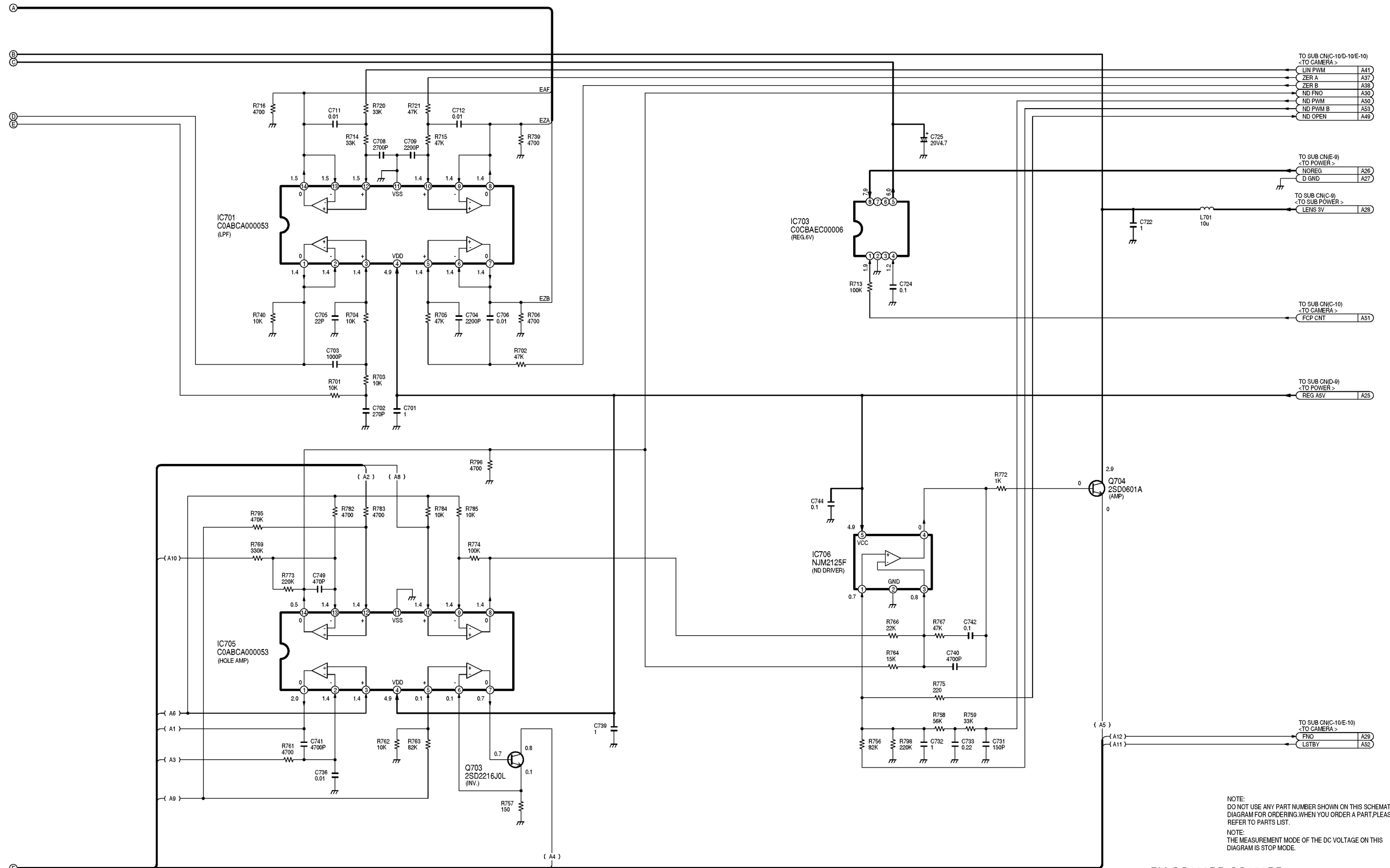
Pin No.	Signal Name	I/O	Explanation	Pin No.	Signal Name	I/O	Explanation	Pin No.	Signal Name	I/O	Explanation	Pin No.	Signal Name	I/O	Explanation
1	MP D12/D28	I/O	SDRAM data Bus/data Bus	62	A1	O	Address Bus	123	MD4	I	Voltage	182	SHMF INT	O	MFI Interruption Output
2	MP D11/D27	I/O	SDRAM data Bus/data Bus	63	A2	O	Address Bus	124	MD7	I	Voltage	183	SHMF IRD	I	MFI RW/READ
3	MP D10/D26	I/O	SDRAM data Bus/data Bus	64	A3	O	Address Bus	125	BREQ	I	Voltage	184	SHMF IEWR	I	MFI Enable/Write
4	MP D9/D25	I/O	SDRAM data Bus/data Bus	65	A4	O	Address Bus	126	BACK	-	NC	185	SHMF IRS	I	MFI Registra Select
5	VCCQ2	I	Voltage	66	VSSQ1	-	GND	127	VCCQ1	I	Voltage	186	VCCQ2	I	Voltage
6	VSSQ2	-	GND	67	VCCQ1	I	Voltage	128	VSSQ1	-	GND	187	VSSQ3	-	GND
7	MP D8/D24	I/O	SDRAM data Bus/data Bus	68	A5	O	Address Bus	129	DREQ1/PT	I	Voltage	188	SHMF ID7	I/O	MFI data/Video data Output
8	MP WE	O	SDRAM Write Enable	69	A6	O	Address Bus	130	DACK1/PT	I/O	DMA Forward demand information1/PORT	189	SHMF ID6	I/O	MFI data/Video data Output
9	MP D7/D23	I/O	SDRAM data Bus/data Bus	70	A7	O	Address Bus	131	DREQ0/PT	I	Voltage	190	SHMF ID5	I/O	MFI data/Video data Output
10	MP D6/D22	I/O	SDRAM data Bus/data Bus	71	SD CD	I	Voltage	132	DACK0/PT	I/O	DMA Forward demand information0/PORT	191	SHMF ID4	I/O	MFI data/Video data Output
11	MP D5/D21	I/O	SDRAM data Bus/data Bus	72	A8	O	Address Bus	133	NMI	I	Power Save Cancel	192	SHMF ID3	I/O	MFI data/Video data Output
12	MP CKE	O	SDRAM Clock Enable	73	A9	O	Address Bus	134	IRQ3/PT	I	Voltage	193	SHMF ID2	I/O	MFI data/Video data Output
13	MP D4/D20	I/O	SDRAM data Bus/data Bus	74	SD WP/PT	I	SD Write Protect Signal/Port	135	VCC	I	Voltage	194	SHMF ID1	I/O	MFI data/Video data Output
14	MP CS	O	SDRAM Chip Select	75	A10	O	Address Bus	136	VSS	-	GND	195	SHMF ID0	I/O	MFI data/Video data Output
15	VCC	I	Voltage	76	A11	O	Address Bus	137	IRQ2/PT	I	Voltage	196	VSSQ3	-	GND
16	VSS	-	GND	77	A12	O	Address Bus	138	IRQ1/PT	I	Voltage	197	VCCQ2	I	Voltage
17	MP D3/D19	I/O	SDRAM data Bus/data Bus	78	A13	O	Address Bus	139	IRQ0/PT	I	Voltage	198	SHMF ICS	I	MFI Chip Select
18	MP D2/D18	I/O	SDRAM data Bus/data Bus	79	VCCQ1	I	Voltage	140	ASEBRKAK	O	Blake Mode	199	YC IO7	I/O	Video data Input-Output
19	VCCQ2	I	Voltage	80	VSSQ1	-	GND	141	CKE	-	NC	200	YC IO6	I/O	Video data Input-Output
20	VSSQ2	-	GND	81	A14	O	Address Bus	142	VCCQ1	I	Voltage	201	YC IO5	I/O	Video data Input-Output
21	MP D1/D17	I/O	SDRAM data Bus/data Bus	82	A15	O	Address Bus	143	CKIO	I/O	System Clock Input-Output	202	YC IO4	I/O	Video data Input-Output
22	MP D0/D16	I/O	SDRAM data Bus/data Bus	83	A16	O	Address Bus	144	VSSQ1	-	GND	203	YC IO3	I/O	Video data Input-Output
23	LSIMD	I	Voltage	84	SD DO/PT	I	Voltage	145	AU DATA3	O	AUD data	204	VSSQ3	-	GND
24	AVSS(USB)	-	GND	85	A17	O	Address Bus	146	AU DATA2	O	AUD data	205	VCCQ2	I	Voltage
25	DP	I	Voltage	86	A18	O	Address Bus	147	AU DCK	O	AUD Clock	206	YC IO2	I/O	Video data Input-Output
26	DM	I	Voltage	87	SD D1/PT	I	Voltage	148	AU DATA1	O	AUD data	207	YC IO1	I/O	Video data Input-Output
27	AVCC(USB)	I	Voltage	88	A19	O	Address Bus	149	AU DATA0	O	AUD data	208	YC IO0	I/O	Video data Input-Output
28	VBUS/PT	-	GND	89	VCC	I	Voltage	150	VCC	I	Voltage	209	CLK27D	O	Video Clock Out(27MHz)
29	TEST3	I	Voltage	90	UCLK	I	Voltage	151	VSS	-	GND	210	VCC	I	Voltage
30	VCC	I	Voltage	91	VSS	-	GND	152	AUD SYNC	O	AUD Synchronous signal	211	VSS	-	GND
31	VSS	-	GND	92	A20	O	Address Bus	153	TRST	I	Test Reset	212	CLK27B	I	Video Clock In(27MHz)
32	TEST2	I	Voltage	93	A21/PT	-	NC	154	TDO	O	Test data Output	213	VCCQ2	I	Voltage
33	TEST1	I	Voltage	94	A22/PT	-	NC	155	TCK	I	Test Clock Input	214	MP RAS	O	SDRAM Address Bus
34	TEST0	I	Voltage	95	VSSQ1	-	GND	156	TMS	I	Test Mode Select Signal	215	VSSQ2	-	GND
35	VCKMD	I	Voltage	96	VCCQ1	I	Voltage	157	TDI	I	Test data Input	216	MP CAS	O	SDRAM Address Bus
36	WE0/DQM0	O	D7-0WE/DQM(SDRAM)	97	A23/PT	-	NC	158	VCCQ1	I	Voltage	217	MP A13	-	NC
37	WE1/DQM1	O	D15-8WE/DQM(SDRAM)	98	A24/CAS/PT	-	NC	159	XTAL	-	NC	218	MP A12	O	SDRAM Address Bus
38	D15	I/O	data Bus	99	SD D2/PT	I	Voltage	160	EXTAL	I	Voltage	219	MP A11	O	SDRAM Address Bus
39	VCCQ1	I	Voltage	100	A25/RAS/PT	-	NC	161	VSSQ1	-	GND	220	MP A10	O	SDRAM Address Bus
40	VSSQ1	-	GND	101	SD D3/PT	I	Voltage	162	MD8	-	GND	221	MP A9	O	SDRAM Address Bus
41	D14	I/O	data Bus	102	RD	O	Read Signal	163	MD9	-	GND	222	MP A8	O	SDRAM Address Bus
42	D13	I/O	data Bus	103	ASEMD0	I	Voltage	164	RESET OUT	O	MFI Reset Output	223	MP A7	O	SDRAM Address Bus
43	D12	I/O	data Bus	104	MD0	-	GND	165	VSS	-	GND	224	MP A6	O	SDRAM Address Bus
44	D11	I/O	data Bus	105	STATUS0	O	Processor Status Out	166	VCC	I	Voltage	225	VSSQ2	-	GND
45	D10	I/O	data Bus	106	SD CLK	-	NC	167	RESET P	I	Power On Reset	226	VCCQ2	I	Voltage
46	VSS	-	GND	107	VSSQ1	-	GND	168	VCC(PLL1)	I	Voltage	227	MP A5	O	SDRAM Address Bus
47	VCC	I	Voltage	108	VCCQ1	I	Voltage	169	VSS(PLL1)	-	GND	228	MP A4	O	SDRAM Address Bus
48	TAP SEL	I	Voltage	109	SD CMD/PT	I	Voltage	170	VCC(PLL2)	I	Voltage	229	MP A3	O	SDRAM Address Bus
49	D9	I/O	data Bus	110	RDWR	-	NC	171	VSS(PLL2)	-	GND	230	MP A2	O	SDRAM Address Bus
50	D8	I/O	data Bus	111	MD1	I	Voltage	172	VSSQ3	-	GND	231	MP A1	O	SDRAM Address Bus
51	D7	I/O	data Bus	112	WAIT	I	Voltage	173	VCCQ2	I	Voltage	232	MP A0	O	SDRAM Address Bus
52	D6	I/O	data Bus	113	SCIF TXD/PT	O	Serial Transmission data/Port	174	SIUILR	I	Audio In L/R Clock	233	MP DQM1/WE3/DQM3	O	D7-0In-Out Mask/D23-16 Write Enable/DQM (SDRAM)
53	D5	I/O	data Bus	114	SCIF RXD/PT	I	Serial Reception data/Port	175	SIUIBT	I	Audio In Bit Clock	234	VSSQ2	-	GND
54	VSSQ1	-	GND	115	SCIF SCK/PT	I	Serial Clock Input-Output/Port	176	SIUISLD	I	Audio In Serial data	235	MP CLK	O	SDRAM Clock
55	VCCQ1	I	Voltage	116	CS0	O	Chip Select 0	177	SIUOLR	O	Audio In-Out L/R Clock	236	VCCQ2	I	Voltage
56	D4	I/O	data Bus	117	CS3/PT	I/O	Chip Select 3/Port	178	SIUOBT	O	Audio In-Out Bit Clock	237	MP DQML/WE2/DQM2	O	D7-0In-Out Mask/D23-16 Write Enable/DQM (SDRAM)
57	D3	I/O	data Bus	118	CS4/PT	-	NC	179	SIUOSLD	I	Audio Output Serial data	238	MP D15/ D31	I/O	SDRAM data Bus/data Bus
58	D2	I/O	data Bus	119	CS5A/PT	O	Chip Select 5A/Port	180	SIUMLK	I	Voltage	239	MP D14/ D30	I/O	SDRAM data Bus/data Bus
59	D1	I/O	data Bus	120	CS5B/PT	O	Chip Select 5B/Port	181	SHMF IMD	I	MFI Mode Change	240	MP D13/ D29	I/O	SDRAM data Bus/data Bus
60	D0	I/O	data Bus	121	MD2	I	Voltage								
61	A0/BS/PT	-	NC	122	MD3	-	GND								

PV-GS200PP,GS120PP
DSC I/O TABLE

13.19. SUB (LENS DRIVE) SCHEMATIC DIAGRAM



PV-GS200PP,GS120PP SUB (LENS DRIVE) SCHEMATIC DIAGRAM

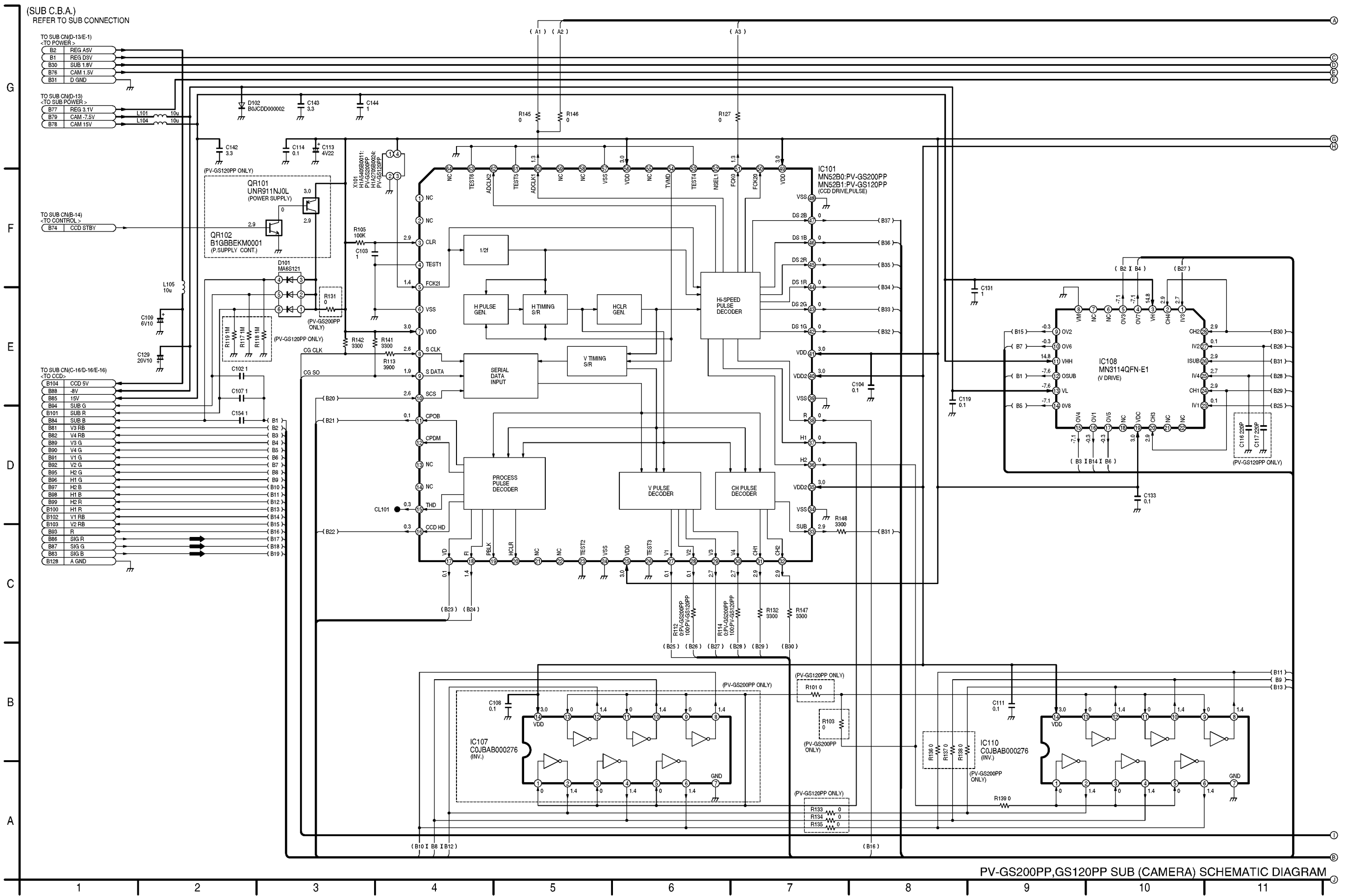


PV-GS200PP,GS120PP SUB (LENS DRIVE) SCHEMATIC DIAGRAM

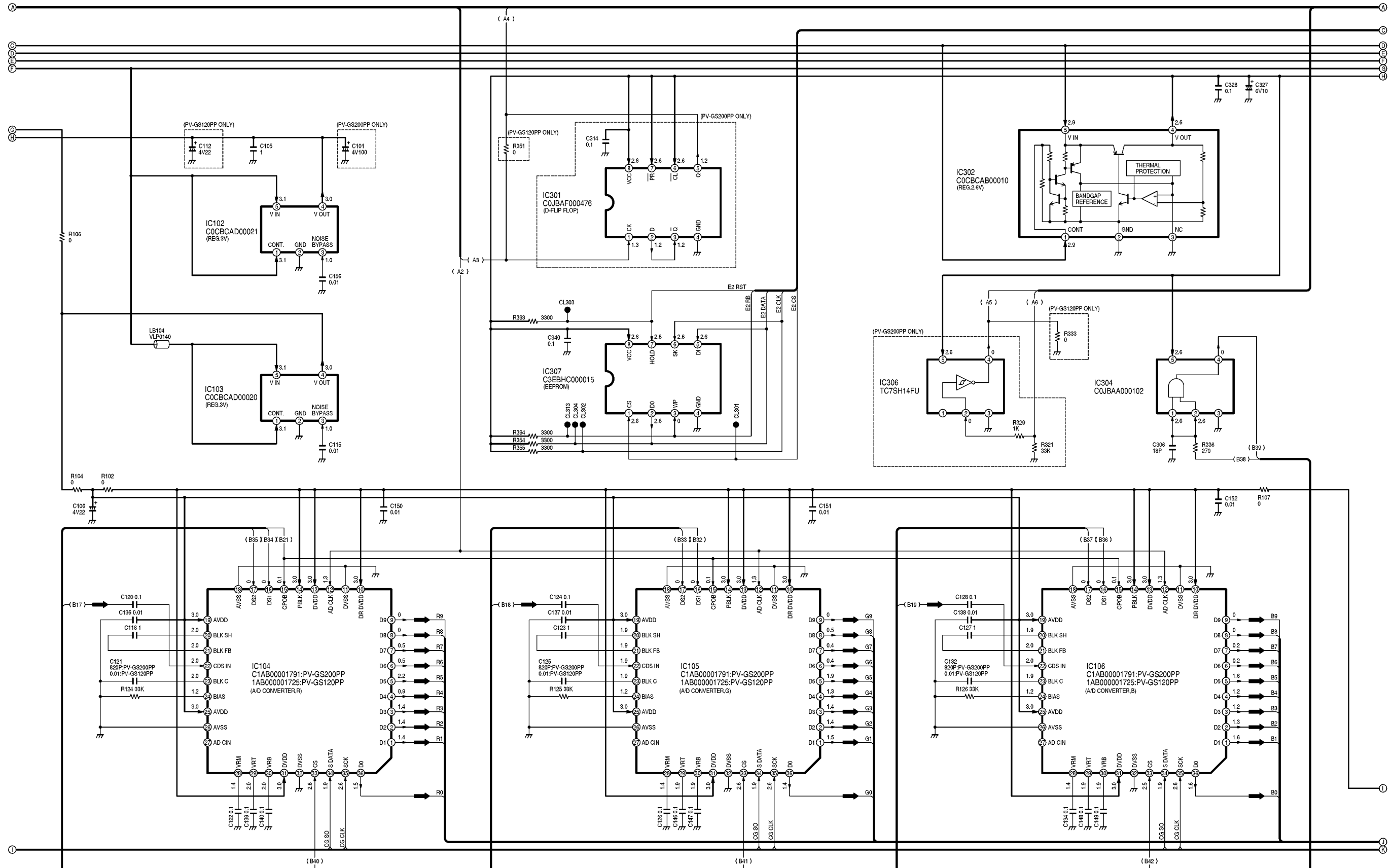
PV-GS200PP,GS120PP SUB (LENS DRIVE) SCHEMATIC DIAGRAM

NOTE:
DO NOT USE ANY PART NUMBER SHOWN ON THIS SCHEMATIC DIAGRAM FOR ORDERING. WHEN YOU ORDER A PART, PLEASE REFER TO PARTS LIST.
NOTE:
THE MEASUREMENT MODE OF THE DC VOLTAGE ON THIS DIAGRAM IS STOP MODE.

13.20. SUB (CAMERA) SCHEMATIC DIAGRAM

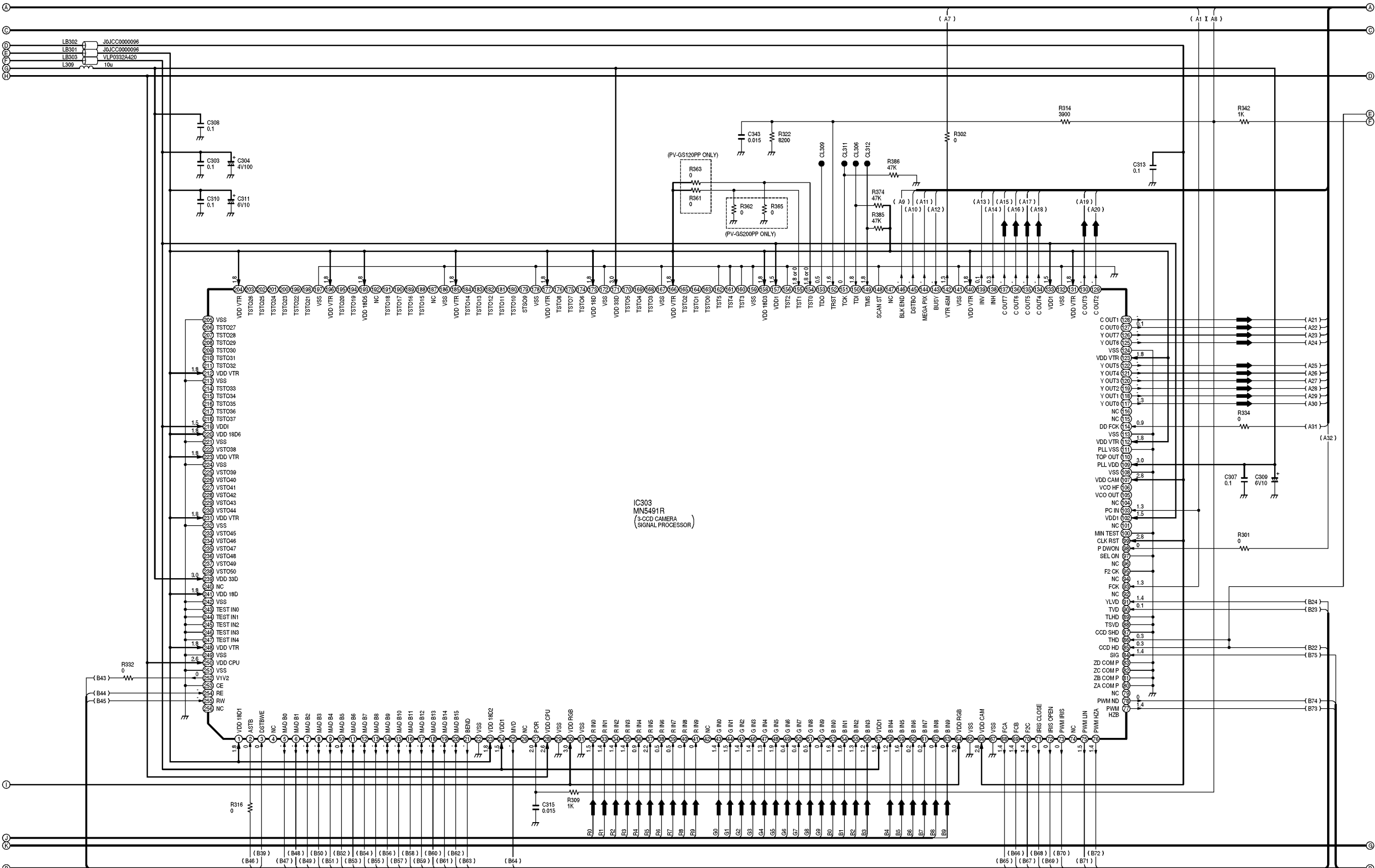


PV-GS200PP,GS120PP SUB (CAMERA) SCHEMATIC DIAGRAM



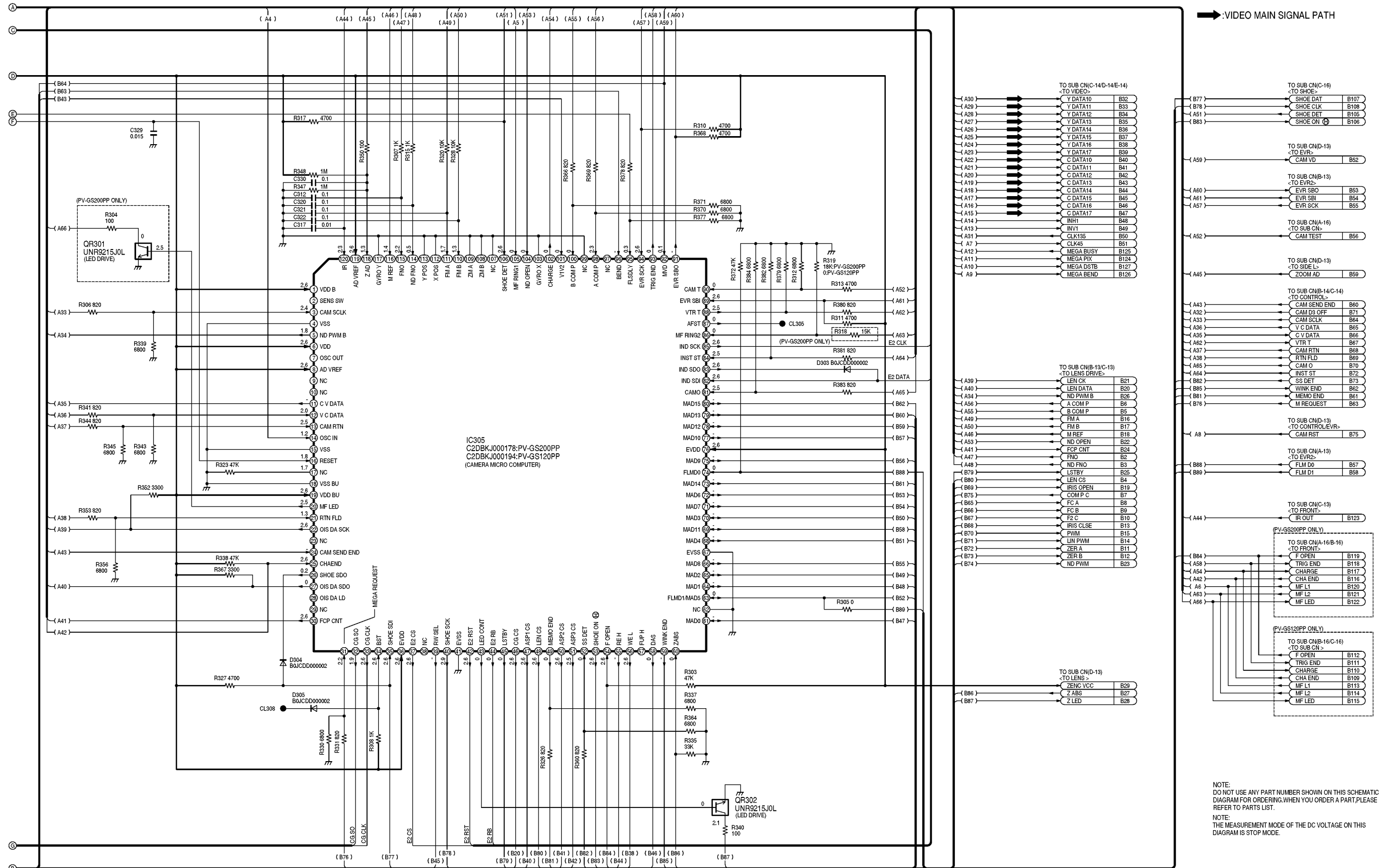
PV-GS200PP,GS120PP SUB (CAMERA) SCHEMATIC DIAGRAM

PV-GS200PP,GS120PP SUB (CAMERA) SCHEMATIC DIAGRAM



PV-GS200PP,GS120PP SUB (CAMERA) SCHEMATIC DIAGRAM

PV-GS200PP,GS120PP SUB (CAMERA) SCHEMATIC DIAGRAM



PV-GS200PP,GS120PP SUB (CAMERA) SCHEMATIC DIAGRAM

PV-GS200PP,GS120PP SUB (CAMERA) SCHEMATIC DIAGRAM

NOTE:
DO NOT USE ANY PART NUMBER SHOWN ON THIS SCHEMATIC DIAGRAM FOR ORDERING. WHEN YOU ORDER A PART, PLEASE REFER TO PARTS LIST.
NOTE:
THE MEASUREMENT MODE OF THE DC VOLTAGE ON THIS DIAGRAM IS STOP MODE.

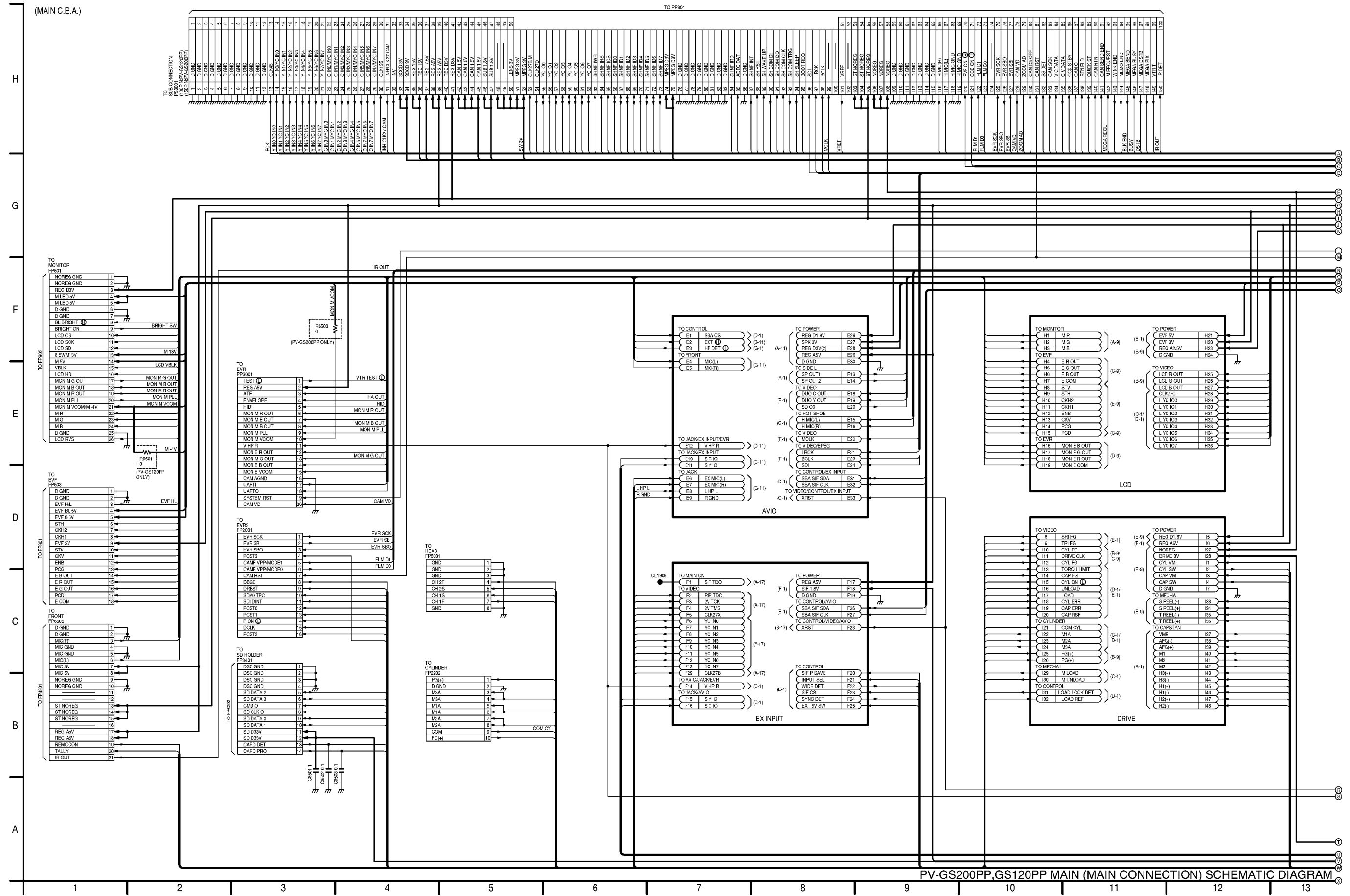
13.20.1. PROCESS I/O TABLE

IC305 : CAMERA MICROCOMPUTER

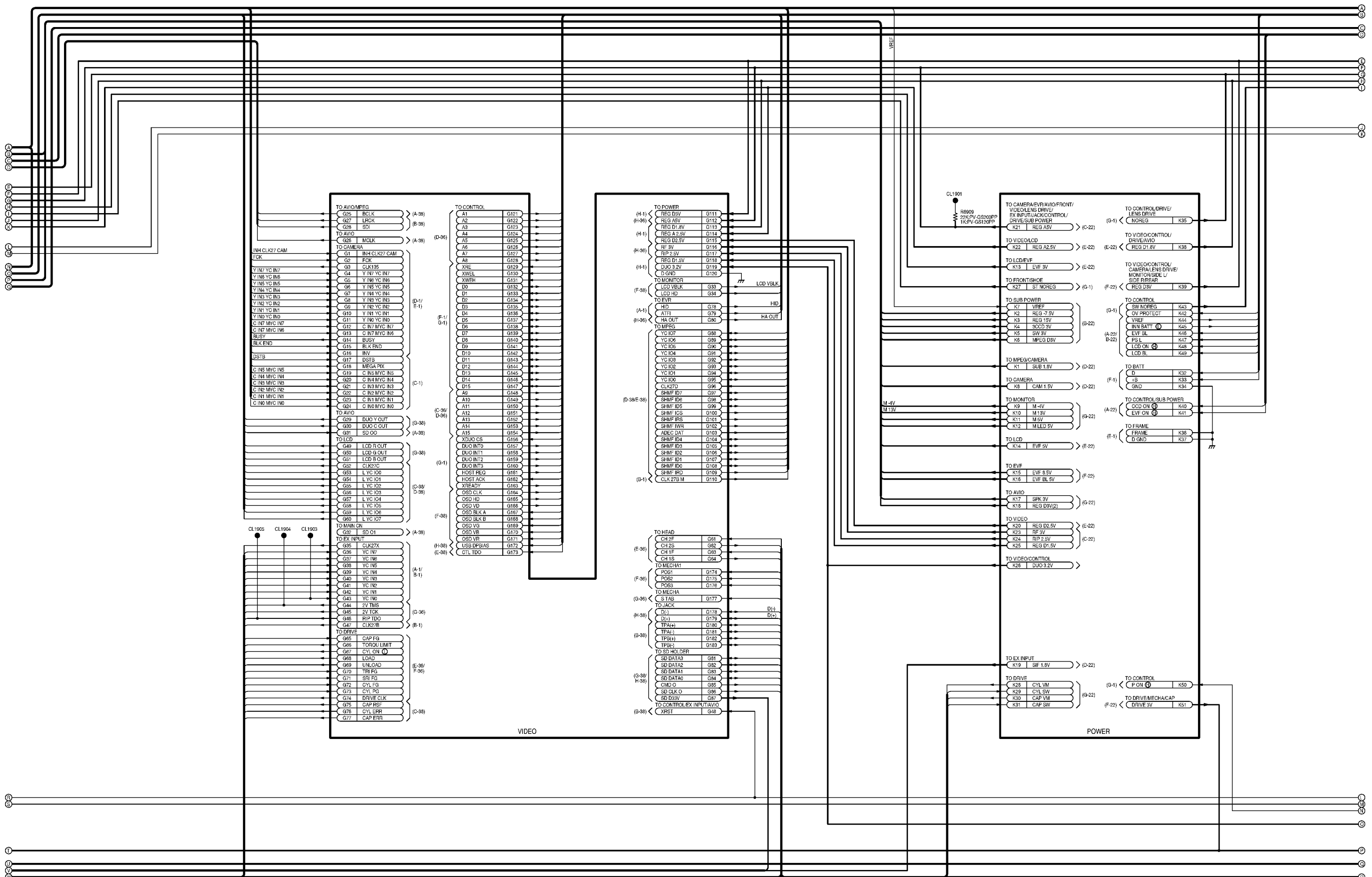
Pin No.	Signal Name	I/O	Explanation	Pin No.	Signal Name	I/O	Explanation
1	VDD B	I	Voltage	61	MADO	I/O	Address Data
2	SENS SW	-	NC	62	NC	-	NC
3	CAM SCLK	I	Camera Serial Clock	63	FLMD1/MAD5	I/O	Address Data
4	VSS	-	GND	64	MAD1	I/O	Address Data
5	ND PWM B	O	ND Filter Drive	65	MAD2	I/O	Address Data
6	VDD	I	Voltage	66	MAD8	I/O	Address Data
7	OSC OUT	-	NC	67	E VSS	-	GND
8	AD VREF	I	Voltage	68	MAD4	I/O	Address Data
9	XT2	-	NC	69	MAD11	I/O	Address Data
10	NC	-	NC	70	MAD3	I/O	Address Data
11	C V DATA	O	Camera Serial Data Out	71	MAD7	I/O	Address Data
12	V C DATA	I	Camera Serial Data In	72	MAD6	I/O	Address Data
13	CAM RTN	I	Camera Clock Deference Signal	73	MAD14	I/O	Address Data
14	OSC IN	I	13.5MHz In	74	FLMD0	I	Flash Writing Data
15	VSS	-	GND	75	MAD9	I/O	Address Data
16	RESET	I	Reset	76	E VDD	I	Voltage
17	NC	-	PULL DOWN	77	MAD10	I/O	Address Data
18	VSS BU	-	GND	78	MAD12	I/O	Address Data
19	VDD BU	I	Voltage	79	MAD13	I/O	Address Data
20	MF LED	O	LED Drive	80	MAD15	I/O	Address Data
21	RTN FLD	I	Field Detect	81	CAM0	I	CAM Microcomputer Communication
22	OIS DA SCK	O	OIS DAC Clock	82	IND SDI	I	EEPROM Serial Data In
23	NC	-	NC	83	IND SDO	O	EEPROM Serial Data Out
24	CAM SEND END	I	CAM SEND END	84	INST ST	I	REC ontrol
25	CHA END	I	Flash Charge End	85	IND SCK	O	EEPROM Serial Clock
26	SHOE SDO	O	SHOE Serial Data Out	86	MF RING2	I	MF Ring 2
27	OIS DA SDO	O	OIS DAC Data Out	87	AFST	O	Process Timing Pulse
28	OIS DA LD	-	NC	88	VTR T	O	Sync Serial Communication Enable
29	NC	-	NC	89	EVR SBI	I	EVR Serial Data In
30	FCP CNT	O	Power Supply Control	90	CAM T	I	Camera Test
31	MEGA REQUEST	I	Mega Pixel Request	91	EVR SBO	O	EVR Serial Data Out
32	CG SO	O	Character Gneration Serial Data	92	MVD	I	VD From DSP LSI
33	CG CLK	O	Character Gneration Serial Clock	93	TRIG END	O	Flash Trigger End
34	BST	I	Boundary Scan Test SW	94	EVR SCK	I	EVR Serial Clock
35	SHOE SDI	I	SHOE Serial Data In	95	FLSDLY	I	Flashing Delay
36	E VDD	I	Voltage	96	BEND	I	Data Block End Request
37	E2 CS	O	EEPROM Chip Select	97	NC	-	NC
38	NC	-	NC	98	A COMP	I	Linear Adjust (A COMP Capture)
39	RW SEL	O	Read/Write Select	99	NC	-	GND
40	SHOE SCK	O	SHOE Serial Clock	100	B COMP	I	Linear Adjust (B COMP Capture)
41	E VSS	-	GND	101	V1V2	I	Act Detect End
42	E2 RST	O	EEPROM Reset	102	CHARGE	O	Flash Charge
43	LED CONT	O	LED Drive	103	GYROX	-	GND
44	E2 RB	O	EEPROM Ready/Busy	104	ND OPEN	I	ND Open
45	LSTBY	O	Standby	105	MF RING1	I	MF Ring 1
46	CG CS	O	Character Gneration Chip Select	106	SHOE DET	I	SHOE Detect
47	ASP1 CS	O	ASP1 Chip Select	107	NC	-	GND
48	LEN CS	O	Lens Chip Select	108	ZM B	-	GND
49	MEMO END	O	Memory End	109	ZM A	-	GND
50	ASP2 CS	O	ASP2 Chip Select	110	FM B	I	Auto Forcus FG B Monitor
51	ASP3 CS	O	ASP3 Chip Select	111	FM A	I	Auto Forcus FG A Monitor
52	SS DET	I	Start/Stop Detect	112	XPOS	-	GND
53	SHOE ON (H)	O	SHOE Power ON/OFF	113	YPOS	-	GND
54	F OPEN	I	Flash Open	114	ND FNO	I	ND F Value
55	RE (H)	O	Read Enable ON/OFF	115	FNO	I	F Value
56	WE (L)	O	Write Enable ON/OFF	116	M REF	I	Voltage
57	FUP (H)	-	NC	117	GYROY	-	GND
58	DAS	O	Address Strobe	118	Z AD	I	Zoom Adjustment
59	WINK END	O	WINK END	119	AD VREF	I	Voltage
60	Z ABS	I	Zoom Encoder	120	IR	I	IR Sensor

PV-GS200PP,GS120PP
CAMERA I/O TABLE

13.21. MAIN (MAIN CONNECTION) SCHEMATIC DIAGRAM

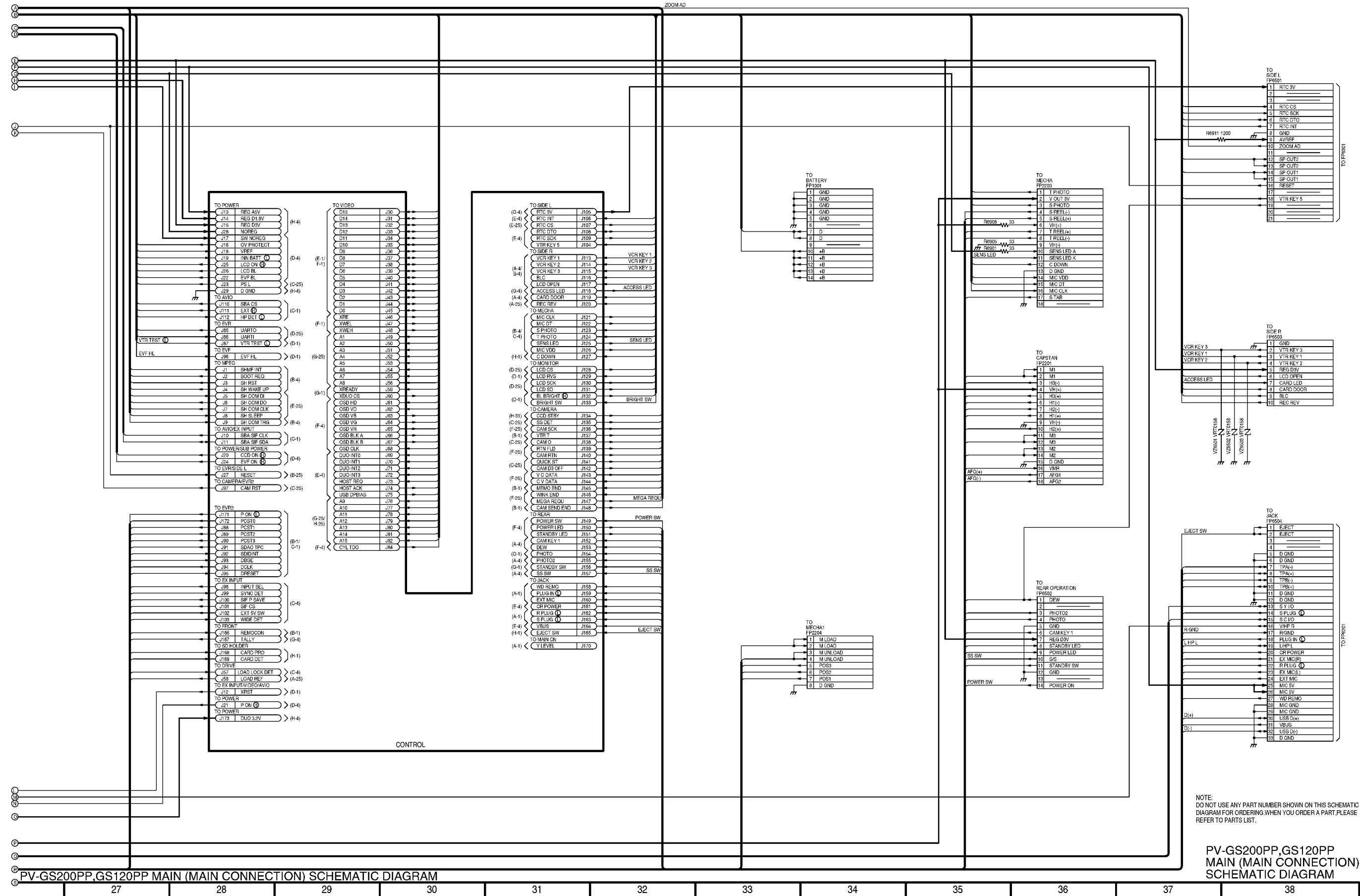


PV-GS200PP,GS120PP MAIN (MAIN CONNECTION) SCHEMATIC DIAGRAM



PV-GS200PP,GS120PP MAIN (MAIN CONNECTION) SCHEMATIC DIAGRAM

PV-GS200PP,GS120PP MAIN (MAIN CONNECTION) SCHEMATIC DIAGRAM

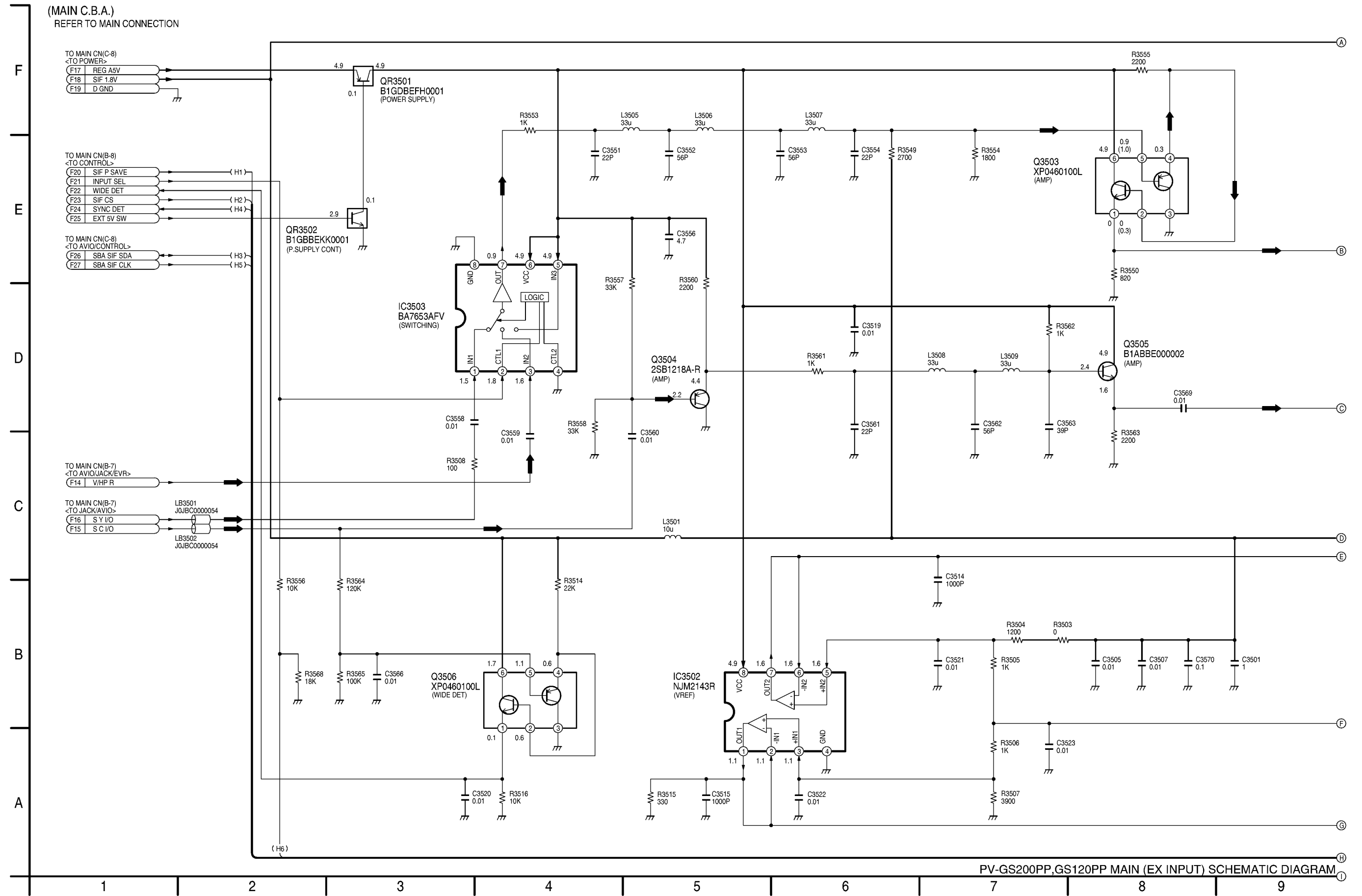


PV-GS200PP,GS120PP MAIN (MAIN CONNECTION) SCHEMATIC DIAGRAM

NOTE:
DO NOT USE ANY PART NUMBER SHOWN ON THIS SCHEMATIC
DIAGRAM FOR ORDERING WHEN YOU ORDER A PART,PLEASE
REFER TO PARTS LIST.

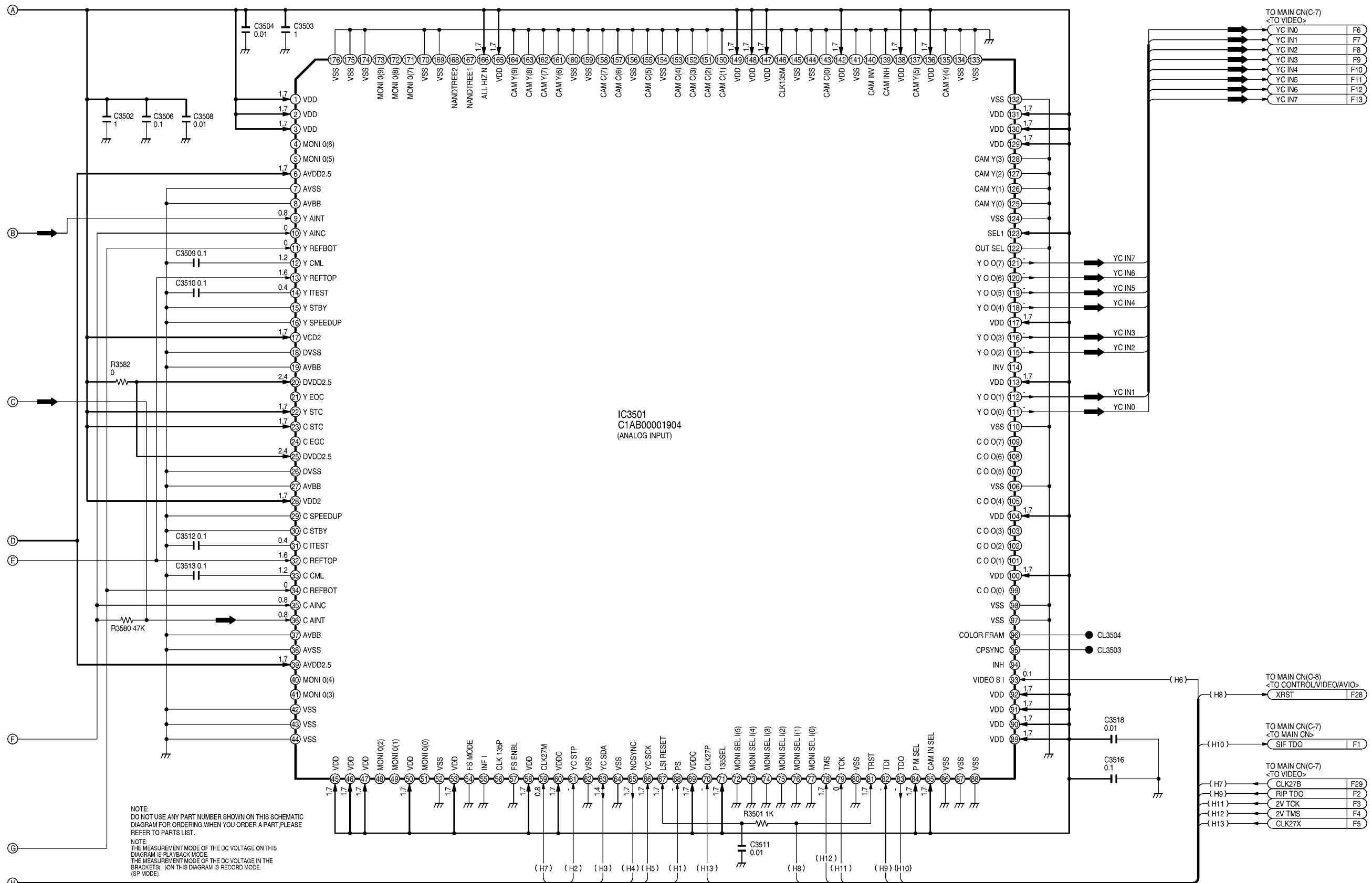
PV-GS200PP,GS120PP
MAIN (MAIN CONNECTION)
SCHEMATIC DIAGRAM

13.23. MAIN (EX INPUT)SCHEMATIC DIAGRAM



PV-GS200PP,GS120PP MAIN (EX INPUT) SCHEMATIC DIAGRAM

➔ :MAIN SIGNAL PATH REC MODE



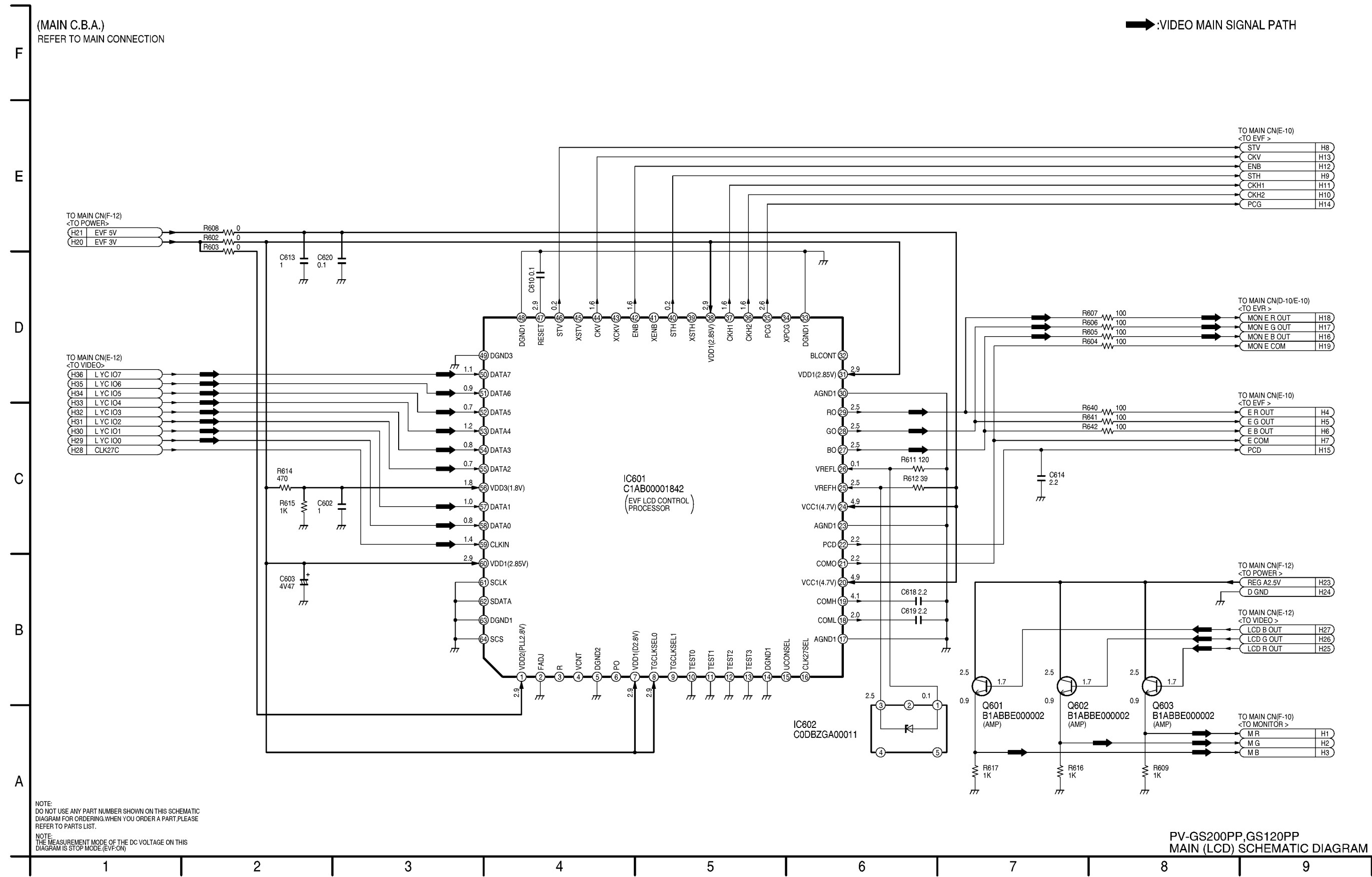
NOTE:
DO NOT USE ANY PART NUMBER SHOWN ON THIS SCHEMATIC DIAGRAM FOR ORDERING. WHEN YOU ORDER A PART, PLEASE REFER TO PARTS LIST.

NOTE:
THE MEASUREMENT MODE OF THE DC VOLTAGE ON THIS DIAGRAM IS PLAYBACK MODE.
THE MEASUREMENT MODE OF THE DC VOLTAGE IN THE BRACKETS () ON THIS DIAGRAM IS RECORD MODE (SP MODE).

PV-GS200PP_GS120PP MAIN (EX INPUT) SCHEMATIC DIAGRAM

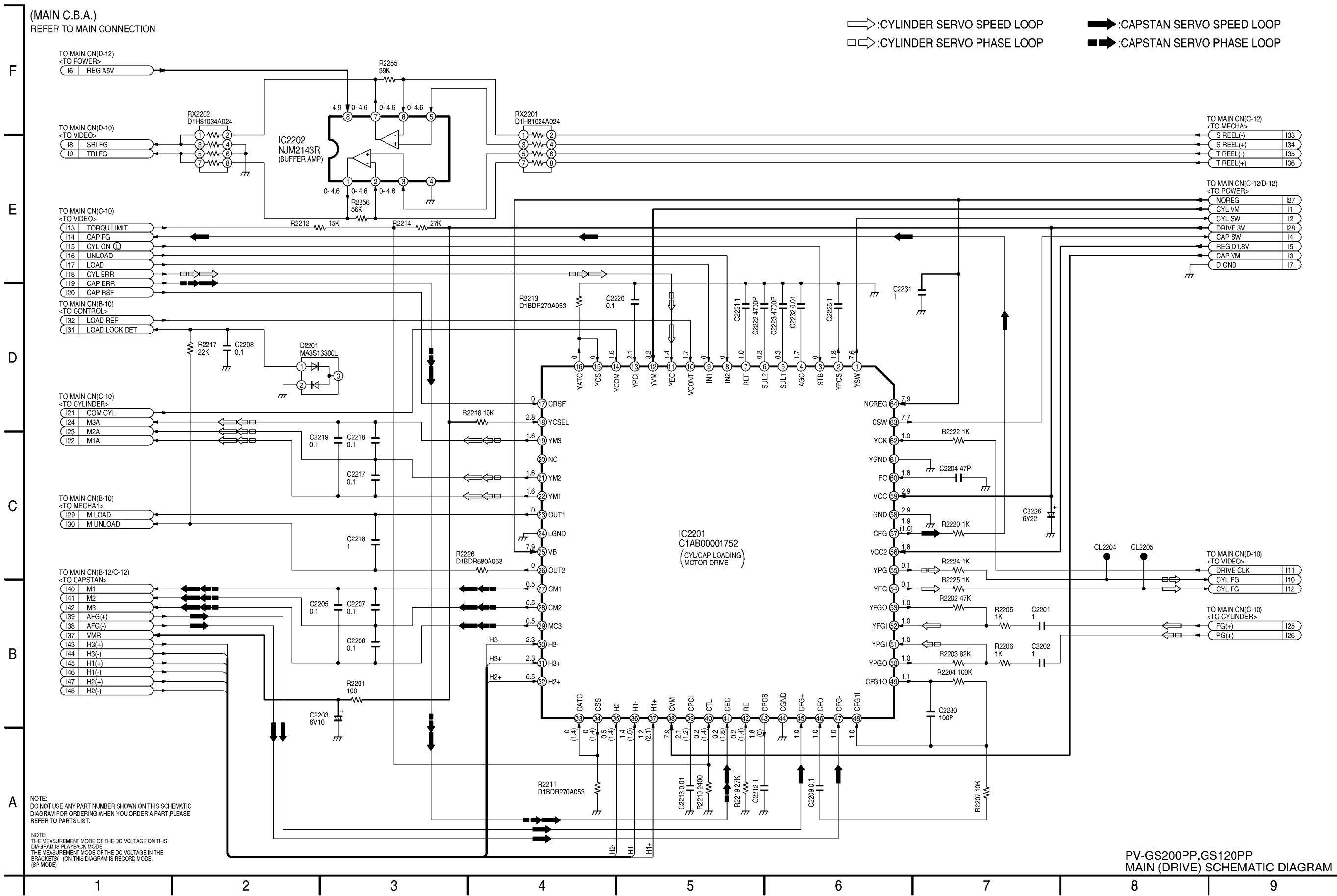
PV-GS200PP_GS120PP MAIN (EX INPUT) SCHEMATIC DIAGRAM

13.24. MAIN (LCD) SCHEMATIC DIAGRAM



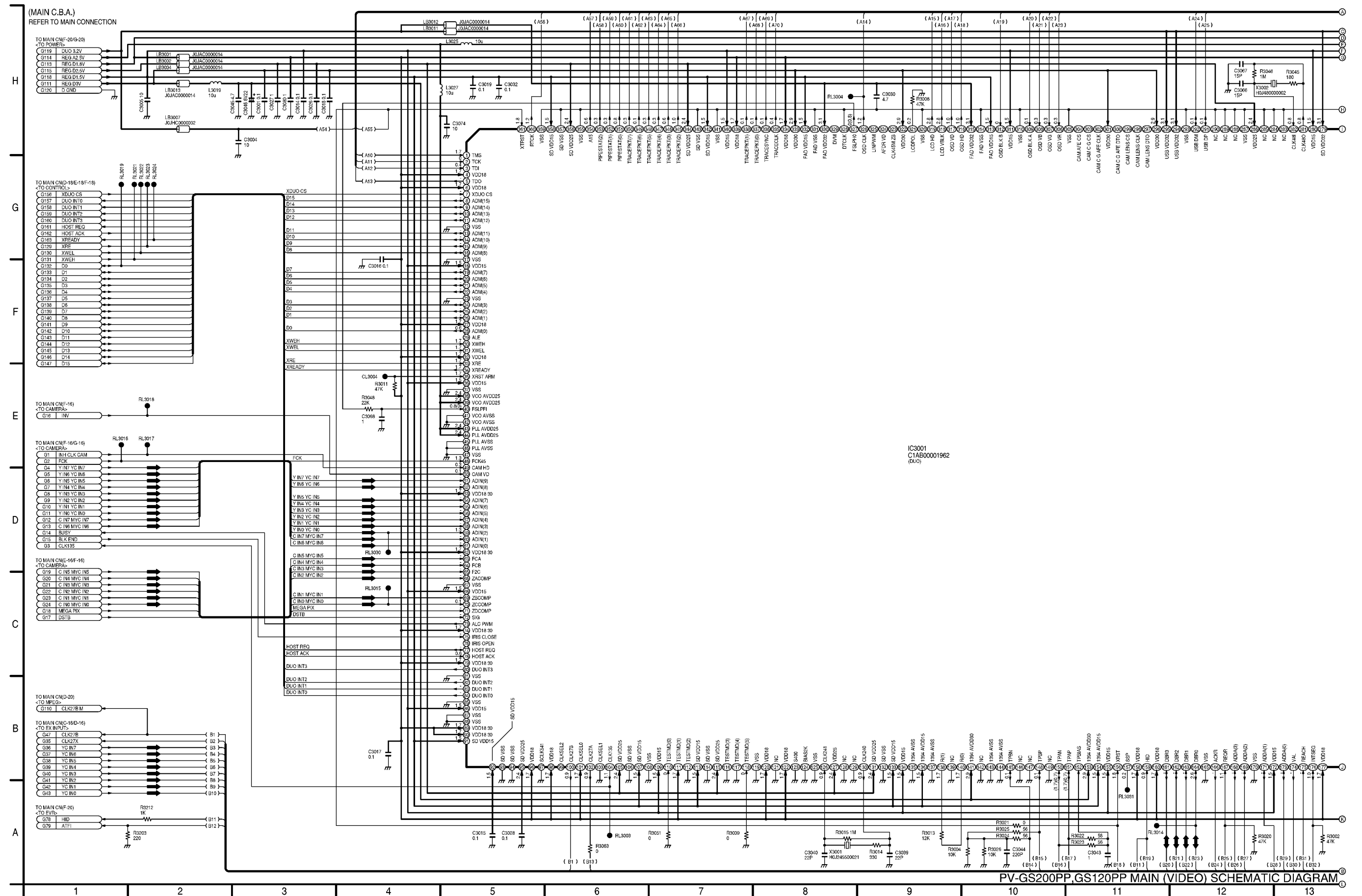
PV-GS200PP,GS120PP
MAIN (LCD) SCHEMATIC DIAGRAM

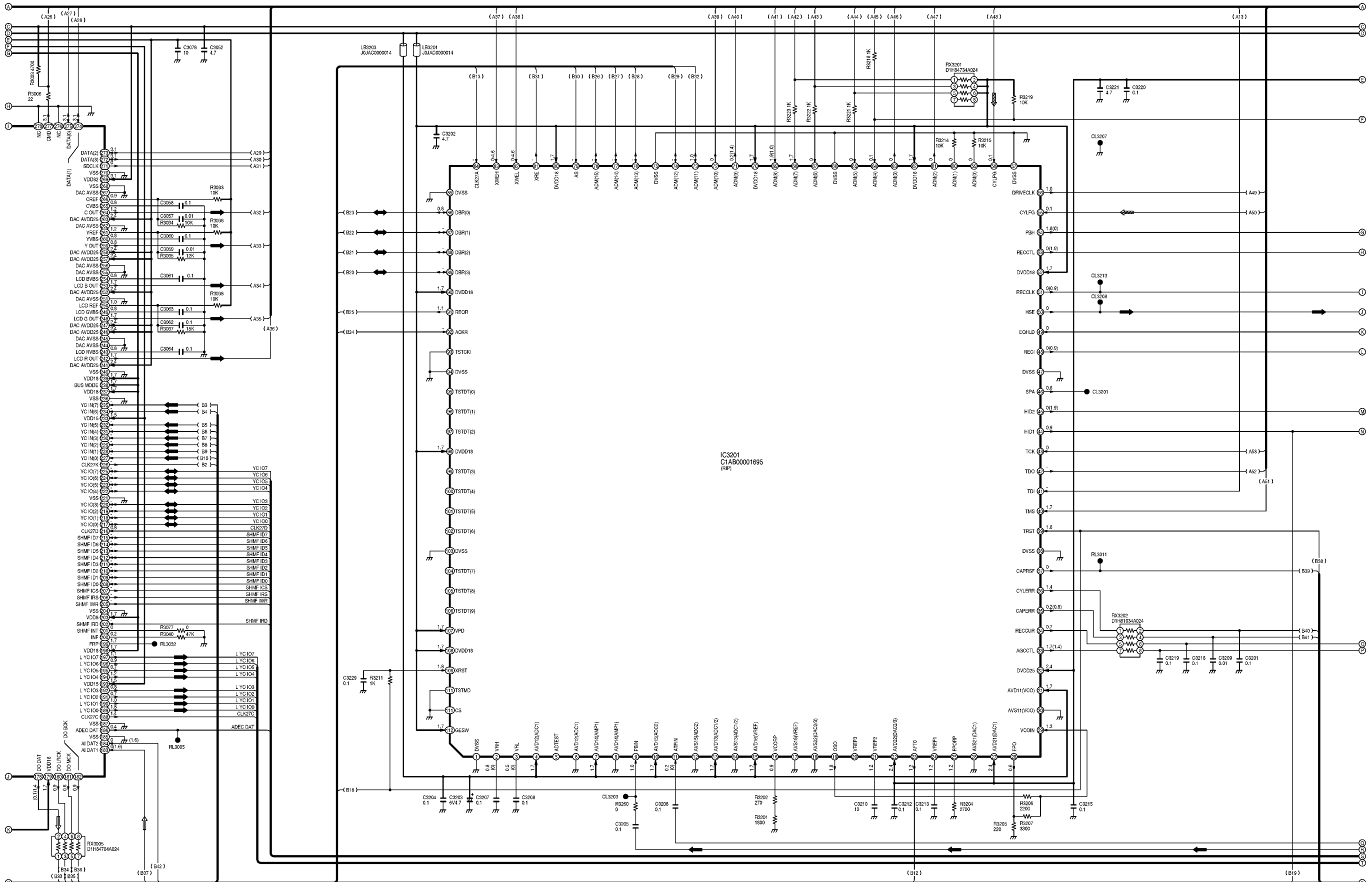
13.25. MAIN (DRIVE) SCHEMATIC DIAGRAM



PV-GS200PP,GS120PP
MAIN (DRIVE) SCHEMATIC DIAGRAM

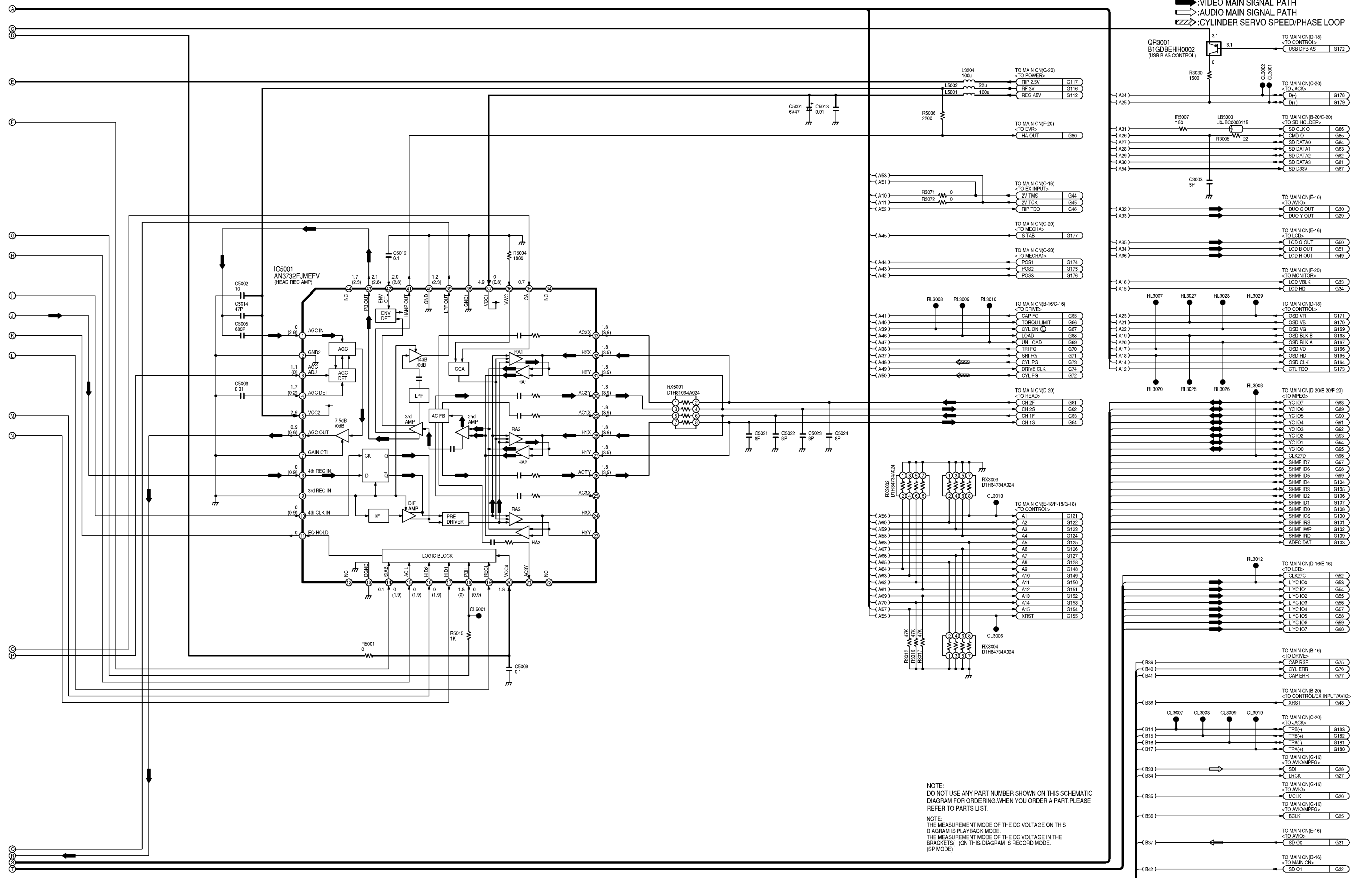
13.26. MAIN (VIDEO) SCHEMATIC DIAGRAM





PV-GS200PP.GS120PP MAIN (VIDEO) SCHEMATIC DIAGRAM

PV-GS200PP.GS120PP MAIN (VIDEO) SCHEMATIC DIAGRAM



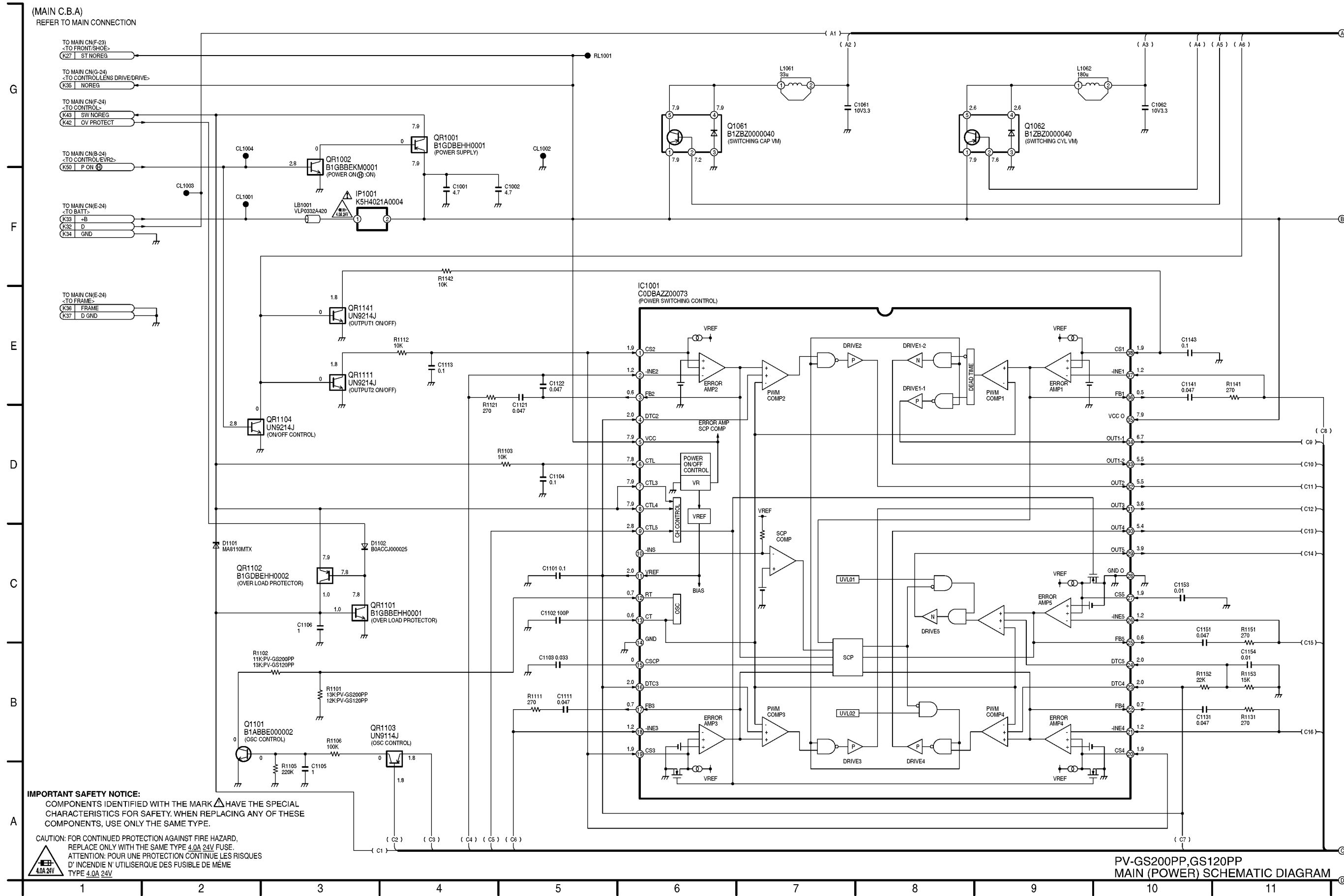
NOTE:
DO NOT USE ANY PART NUMBER SHOWN ON THIS SCHEMATIC DIAGRAM FOR ORDERING. WHEN YOU ORDER A PART, PLEASE REFER TO PARTS LIST.

NOTE:
THE MEASUREMENT MODE OF THE DC VOLTAGE ON THIS DIAGRAM IS PLAYBACK MODE.
THE MEASUREMENT MODE OF THE DC VOLTAGE IN THE BRACKETED ON THIS DIAGRAM IS RECORD MODE. (SP MODE)

⑥ PV-GS200PP,GS120PP MAIN (VIDEO) SCHEMATIC DIAGRAM

PV-GS200PP,GS120PP MAIN (VIDEO) SCHEMATIC DIAGRAM

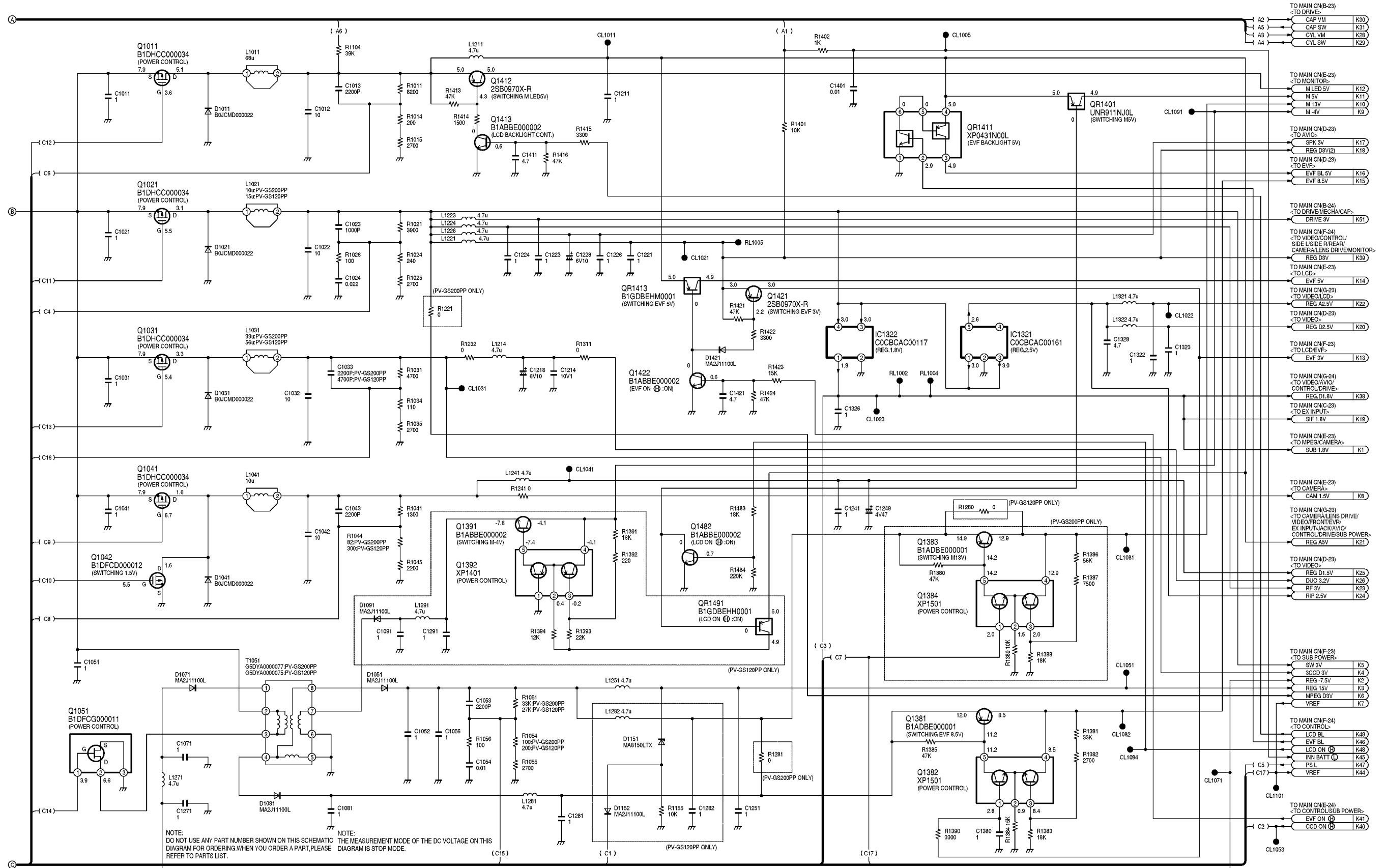
13.27. MAIN (POWER) SCHEMATIC DIAGRAM



IMPORTANT SAFETY NOTICE:
COMPONENTS IDENTIFIED WITH THE MARK HAVE THE SPECIAL CHARACTERISTICS FOR SAFETY. WHEN REPLACING ANY OF THESE COMPONENTS, USE ONLY THE SAME TYPE.

CAUTION: FOR CONTINUED PROTECTION AGAINST FIRE HAZARD, REPLACE ONLY WITH THE SAME TYPE 4.0A 24V FUSE.
ATTENTION: POUR UNE PROTECTION CONTINUE LES RISQUES D'INCENDIE N'UTILISER QUE DES FUSIBLES DE MEME TYPE 4.0A 24V

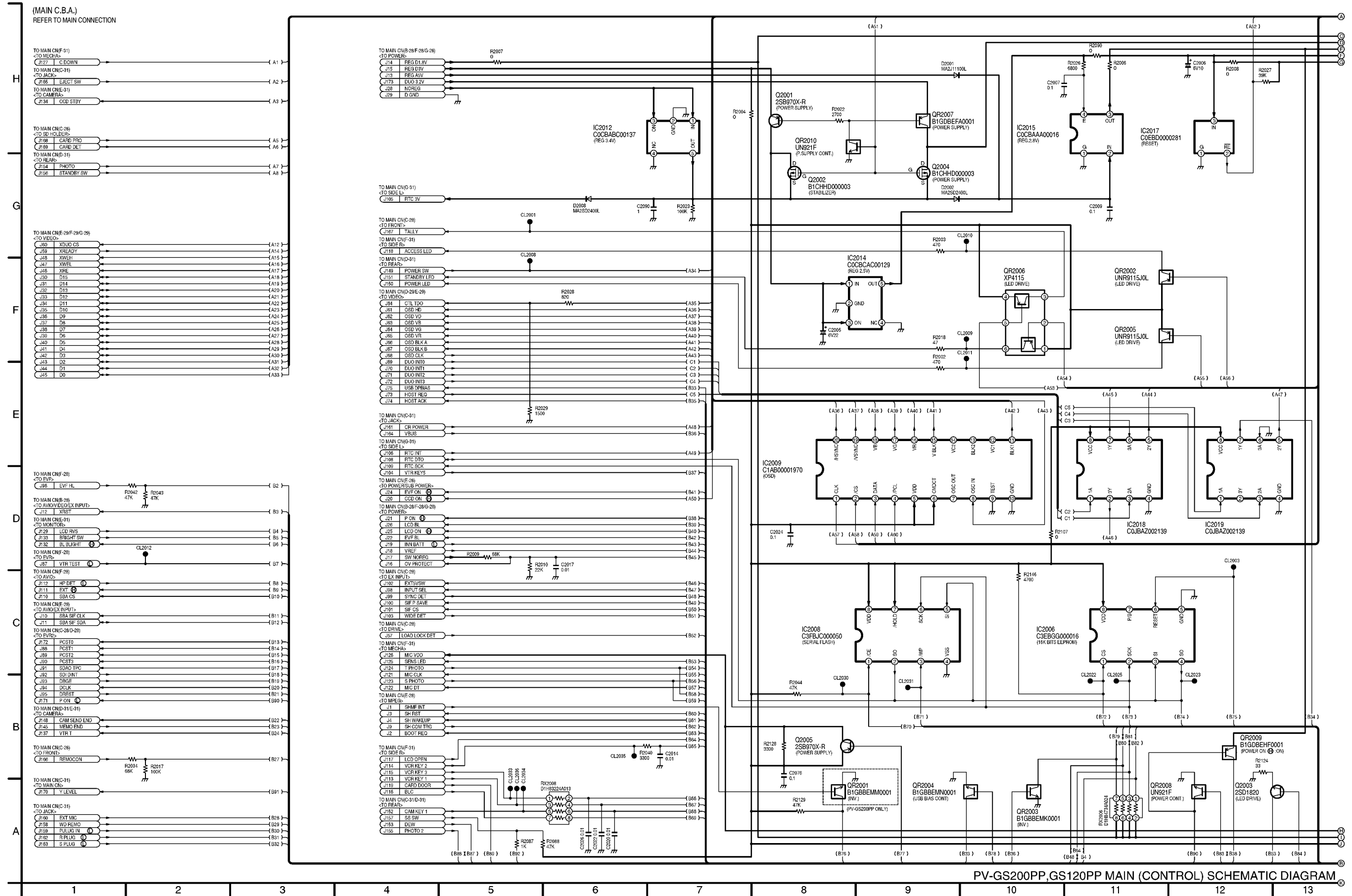
PV-GS200PP.GS120PP
MAIN (POWER) SCHEMATIC DIAGRAM



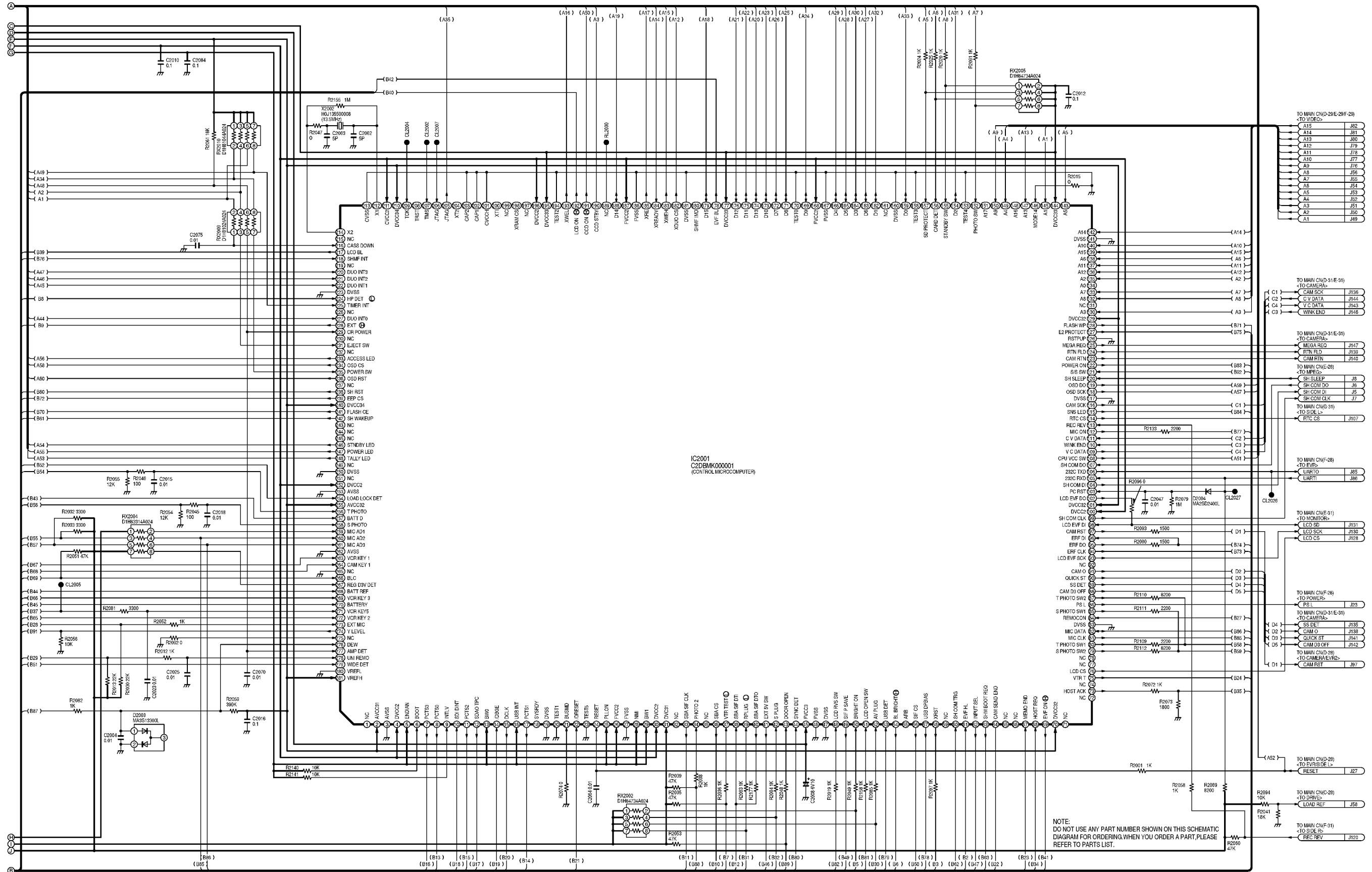
PV-GS200PP,GS120PP MAIN (POWER) SCHEMATIC DIAGRAM

PV-GS200PP,GS120PP MAIN (POWER) SCHEMATIC DIAGRAM

13.28. MAIN (CONTROL) SCHEMATIC DIAGRAM



PV-GS200PP,GS120PP MAIN (CONTROL) SCHEMATIC DIAGRAM



PV-GS200PP,GS120PP MAIN (CONTROL) SCHEMATIC DIAGRAM

PV-GS200PP,GS120PP MAIN (CONTROL) SCHEMATIC DIAGRAM

13.28.1. CONTROL DC VOLTAGE CHART (SP MODE)

ICs DC VOLTAGE CHART (SP MODE)

Ref. No.	IC2001																			
MODE	1	2	3	4	5	6	7	8	9	10	11	12	13	14	15	16	17	18	19	20
STOP	-	2.8	-	2.5	2.5	2.5	-	-	2.5	-	-	-	2.5	-	-	2.5	-	-	-	-
PLAY	-	2.8	-	2.5	2.5	2.5	-	-	2.5	-	-	-	2.5	-	-	2.5	-	-	-	-
REC	-	2.8	-	2.5	2.5	2.5	-	-	2.5	-	-	-	2.5	-	-	2.5	-	-	-	-
F.F.	-	2.8	-	2.5	2.5	2.5	-	-	2.5	-	-	-	2.5	-	-	2.5	-	-	-	-
REW	-	2.8	-	2.5	2.5	2.5	-	-	2.5	-	-	-	2.5	-	-	2.5	-	-	-	-

Ref. No.	IC2001																			
MODE	241	242	243	244	245	246	247	248	249	250	251	252	253	254	255	256	257	258	259	260
STOP	2.7	0	-	-	-	2.8	0	2.8	-	-	-	2.5	-	0	2.8	0	2.8	0	2.8	2.8
PLAY	2.7	0	-	-	-	2.8	0	2.8	-	-	-	2.5	-	0	2.8	0	2.8	0	2.8	2.8
REC	2.7	0	-	-	-	2.8	0	0	-	-	-	2.5	-	0	2.8	0	2.8	0	2.8	2.8
F.F.	2.7	0	-	-	-	2.8	0	2.8	-	-	-	2.5	-	0	2.8	0	2.8	0	2.8	2.8
REW	2.7	0	-	-	-	2.8	0	2.8	-	-	-	2.5	-	0	2.8	0	2.8	0	2.8	2.8

TRs DC VOLTAGE CHART (SP MODE)

Ref. No.	Q2001			Q2002			Q2003			Q2004			Q2005		
MODE	E	C	B	S	D	G	E	C	B	S	D	G	E	C	B
STOP	3.0	2.9	2.2	3.4	2.9	2.8	0	0	2.8	3.4	3.2	2.8	2.9	2.8	0
PLAY	3.0	2.9	2.2	3.4	2.9	2.8	0	0	2.4	3.4	3.2	2.8	2.9	2.8	0
REC	3.0	2.9	2.2	3.4	2.9	2.8	0	0	2.8	3.4	3.2	2.8	2.9	2.8	0
F.F.	3.0	2.9	2.2	3.4	2.9	2.8	0	0	2.4	3.4	3.2	2.8	2.9	2.8	0
REW	3.0	2.9	2.2	3.4	2.9	2.8	0	0	2.4	3.4	3.2	2.8	2.9	2.8	0

13.28.2. CONTROL I/O TABLE

IC2001 : VTR CONTROL MICROCOMPUTER

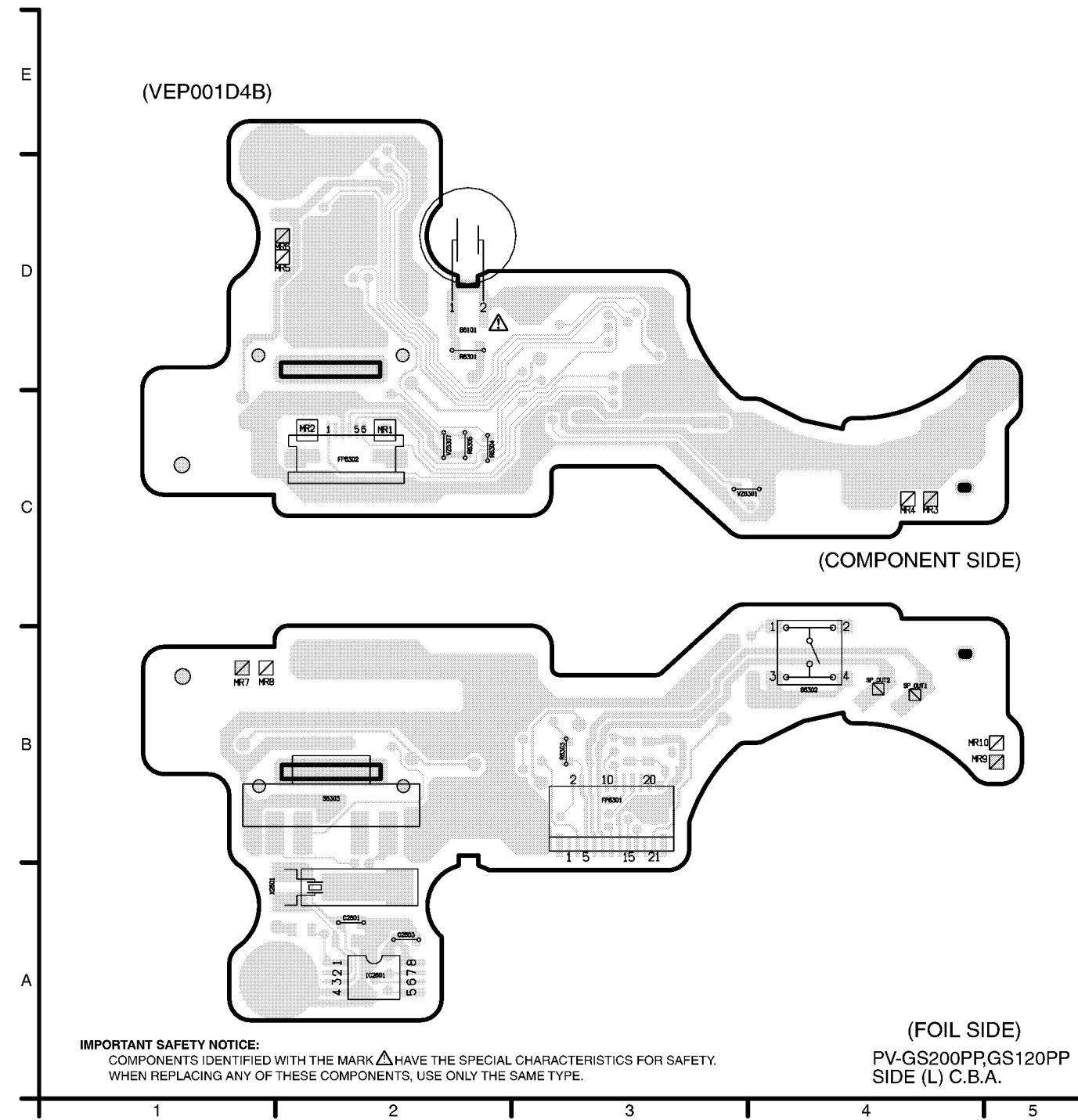
Pin No.	Signal Name	I/O	Explanation	Pin No.	Signal Name	I/O	Explanation
1	NC	-	NC	62	INPUT SEL	O	S/AV Input terminal Change
2	AVCC31	I	Voltage	63	SHM BOOT REQ	O	ROM Data Download
3	AVSS	-	GND	64	AM SEND END	O	AM SEND END
4	DVCC2	I	Voltage	65	NC	-	NC
5	ENDIAN	I	Voltage	66	NC	-	NC
6	BOOT	I	BOOT	67	MEMO END	I	Memory End
7	PCTS3	O	PCTS3(EVR2)	68	HOST REQ	I	Outside Camera Port Layout
8	PCTS0	O	PCTS2(EVR2)	69	EVF ON (H)	O	EVF Power Control
9	INTLV	I	Inter leave Mode	70	DVCC32	I	Voltage
10	SDI DINT	I	SDI DINT(EVR2)	71	NC	-	NC
11	PCTS2	O	PCTS2(EVR2)	72	NC	-	NC
12	SDAO TPC	O	SDAO(EVR2)	73	HOST ACK	O	Outside Camera Port Layout
13	BW0	I	Voltage	74	NC	-	NC
14	/DBG	I	/DBG(EVR2)	75	VTR T	O	Communication Microcomputer Request
15	DCLK	O	DCLK(EVR2)	76	LCD CS	O	LCD Monitor IC CS
16	USB INT	I	Voltage	77	NC	-	NC
17	PCTS1	O	PCTS1(EVR2)	78	NC	-	NC
18	SYS RDY	-	NC	79	S PHOTO SW2	O	S-Sensor Output
19	DVSS	-	GND	80	T PHOTO SW1	O	T-Sensor Output
20	TEST1	-	GND	81	MIC CLK	O	MIC Communication
21	BUSMD	I	Voltage	82	MIC DATA	I/O	MIC Communication
22	/DRESET	I	/DRESET(EVR2)	83	DVSS	-	GND
23	TEST5	-	GND	84	REMOCON	I	IR Remote control In
24	RESET	I	System Reset	85	S PHOTO SW1	O	S-Sensor Output
25	PLL ON	I	Voltage	86	PS (L)	O	Power Save Terminal Control (Standby: L)
26	FVCC2	I	Voltage	87	T PHOTO SW2	O	T-Sensor Output
27	FVSS	-	GND	88	CAM D3 OFF	O	Camera Power control
28	NMI	I	NMI	89	SS DET	O	Start/Stop Detect
29	BW1	I	Voltage	90	QUIC ST	O	Quick Start
30	DVCC2	I	Voltage	91	CAM0	O	VTR Data
31	DVCC31	I	Voltage	92	NC	-	NC
32	NC	-	NC	93	LCD SCK	O	LCD Monitor Communication
33	SBA SIF CLK	O	Sub Audio Serial Clock	94	ERF CLK	O	E2PROM/RTC Communication
34	PHOTO2	I	Photo Input	95	ERF DO	O	E2PROM/RTC Communication
35	NC	-	NC	96	ERF DI	I	E2PROM/RTC Communication
36	SBA CS	O	Sub Audio Chip Select	97	CAM RST	O	Camera Reset
37	VTR TEST L	I	VTR Test	98	LCD DI	I	LCD Monitor Communication
38	SBA SIF DTI	I	Sub Audio Serial Data Input	99	SH COM CLK	O	MPEG Communication Serial Data Clock
39	R PLUG L	I	Free Style Remote Control Input Detection	100	DVCC2	I	Voltage
40	SBA SIF DTO	O	Sub Audio Serial Data Output	101	DBCC2	I	Voltage
41	EXT 5V SW	O	Power Supply Control	102	LCD DO	O	LCD Monitor Communication
42	S PLUG	I	S-Jack Detection	103	PC RST	I	RS232C Reset
43	DOOR OPEN	I	Door Open Sensor	104	SH COM DI	O	MPEG Serial Data Output
44	SYNC DET	I	Sync Detection	105	232C RXD	I	UART1
45	FVCC3	I	Voltage	106	232C TXD	O	UART0
46	FVSS	-	GND	107	SH COM DO	I	Serial Data Input
47	DVSS	-	GND	108	CPU VCC SW	O	Microcomputer Power Supply Change
48	LCD RVS SW	I	LCD Panel Reversal Input	109	V C DATA	O	VTR Serial Data Output
49	SIF P SAVE	O	SIF Power Save	110	WINC END	I	WINC END
50	BRIGHT ON	I	Backlight Input terminal	111	C V DATA	I	VTR Serial Data Input
51	LCD OPEN SW	I	LCD Panel Open Input	112	MIC ON	O	MICPower Supply:L
52	AV PLUG	I	AV Jack Detection	113	REC REV	I	REC REV
53	USB DET	I	USB Cable Connection detection	114	RTC CS	O	clock CS
54	BL BRIGHT (H)	O	EVF Backlight Output On:H	115	SNS LED	O	LED Illumination:H
55	ARB	-	NC	116	CAM SCK	O	VTR Serial Clock
56	SIF CS	O	SIF Serial CS	117	DVSS	-	GND
57	USB DP BIAS	O	Bias Addition Function	118	OSD SCK	O	OSD Communication Serial Clock
58	XRST	O	System Reset	119	OSD SCK DO	O	OSD Communication Serial Data
59	NC	-	NC	120	SH SLEEP	I	SLEEPCondition determination
60	SH COM TRG	I	Communication Start Signal	121	SS SW	I	Start/Stop Key Input
61	EVF HL	I	EVF Backlight Birth Determination	122	POWER ON	O	Power On:H

Pin No.	Signal Name	I/O	Explanation	Pin No.	Signal Name	I/O	Explanation
123	CAM RTN	O	Camera Microcomputer Communication	184	XREADY	I	X Ready Strobe
124	RTN FLD	O	Camera Microcomputer Field Signal	185	XRE	O	X Read Strobe
125	MEGA REQ	O	Mega Pixel Request	186	FVSS	-	GND
126	RST PUP	-	GND	187	FVCC2	I	Voltage
127	E2 PROTECT	O	FLASH ROM CE	188	D(14)	I/O	Data Bus
128	FLASH WP	O	FLASH ROM WP	189	NC	-	NC
129	DVCC32	I	Voltage	190	CCD STBY	O	CCD Standby
130	A3	I	Address Data	191	CCD ON (H)	O	CCD Power ON/OFF
131	NC	-	NC	192	LCD ON (H)	O	LCD Power ON/OFF
132	A8	I	Address Data	193	XWEL	O	X Write Strobe L
133	A7	I	Address Data	194	TEST2	-	GND
134	A0	-	NC	195	DVCC33	I	Voltage
135	A2	I	Address Data	196	DVCC2	I	Voltage
136	A12	I	Address Data	197	NC	-	NC
137	A11	I	Address Data	198	X RAM CS	-	NC
138	A6	I	Address Data	199	NC	-	NC
139	A15	I	Address Data	200	XTI	-	NC
140	A10	I	Address Data	201	CVCC	-	GND
141	DVSS	-	GND	202	CAP1	-	GND
142	A14	I	Address Data	203	CAP2	-	GND
143	A5	I	Address Data	204	XT2	-	NC
144	DVCC33	I	Voltage	205	TDO	O	Test Data Output
145	A1	I	Address Data	206	TDI	I	Test Data Input
146	MODE14	-	GND	207	TMS	I	JTAG Mode
147	A13	-	Address Data	208	TRST	-	NC
148	A16	-	NC	209	TCK	I	JTAG Clock
149	A4	I	Address Data	210	DVCC34	I	Voltage
150	A9	I	Address Data	211	CVCC2	I	Voltage
151	A18	-	NC	212	XI	I	Crystal 13.5MHz
152	PHOTO SW	I	Photo Key Input	213	CVSS	-	GND
153	TEST4	-	GND	214	X2	O	Crystal 13.5MHz
154	D(2)	I/O	Data Bus	215	NC	-	NC
155	STNDBY SW	I	Standby SW	216	CASS DOWN	I	Cassette Down
156	CARD DET	I	SD Card Exists and No	217	LCD BL	O	LCD Backlight On:H
157	SD PROTECT	I	SD Card Protect	218	SHMFINT	I	MPEG IC Interruption
158	TEST3	-	GND	219	NC	-	NC
159	D(0)	I/O	Data Bus	220	DUO INT3	I	Video IC Interruption 3
160	DVSS	-	GND	221	DUO INT2	I	Video IC Interruption 2
161	NC	-	NC	222	DUO INT1	I	Video IC Interruption 1
162	D(1)	I/O	Data Bus	223	DVSS	-	GND
163	D(6)	I/O	Data Bus	224	HP DET (L)	I	Headphone Judgement
164	D(3)	I/O	Data Bus	225	TIMER INT	I	Clock one minute Interruption
165	D(5)	I/O	Data Bus	226	NC	-	NC
166	D(4)	I/O	Data Bus	227	DUO INTO	I	Video IC Interruption 0
167	FVSS	-	GND	228	EXT (H)	O	Analogue Input:H
168	FVCC2	I	Voltage	229	CR POWER	I	AWP Power supply control
169	D(9)	I/O	Data Bus	230	NC	-	NC
170	TEST0	-	GND	231	EJECT SW	I	EJECT SW
171	D(8)	I/O	Data Bus	232	NC	-	NC
172	D(7)	I/O	Data Bus	233	ACCESS LED	O	Access LED
173	D(10)	I/O	Data Bus	234	OSD CS	O	OSD IC CS
174	D(13)	I/O	Data Bus	235	POWER SW	I	Power SW In
175	D(11)	I/O	Data Bus	236	OSD RST	O	OSD IC Reset
176	D(12)	I/O	Data Bus	237	NC	-	NC
177	DVCC33	I	Voltage	238	SH RST	O	Reset Signal
178	EVF BL	O	EVF Backlight On:H	239	EEP CS	O	E2 PROM CS
179	D(15)	I/O	Data Bus	240	DVCC34	I	Voltage
180	SH MFI MD	O	MF ID Bas Mode Selection	241	FLASH CS	O	FLASH CE
181	DVSS	-	GND	242	SH WAKEUP	O	Rising Demand Signal
182	XDUO CS	O	DUO Chip Select	243	NC	-	NC
183	XWEH	O	X Write Strobe H	244	NC	-	NC

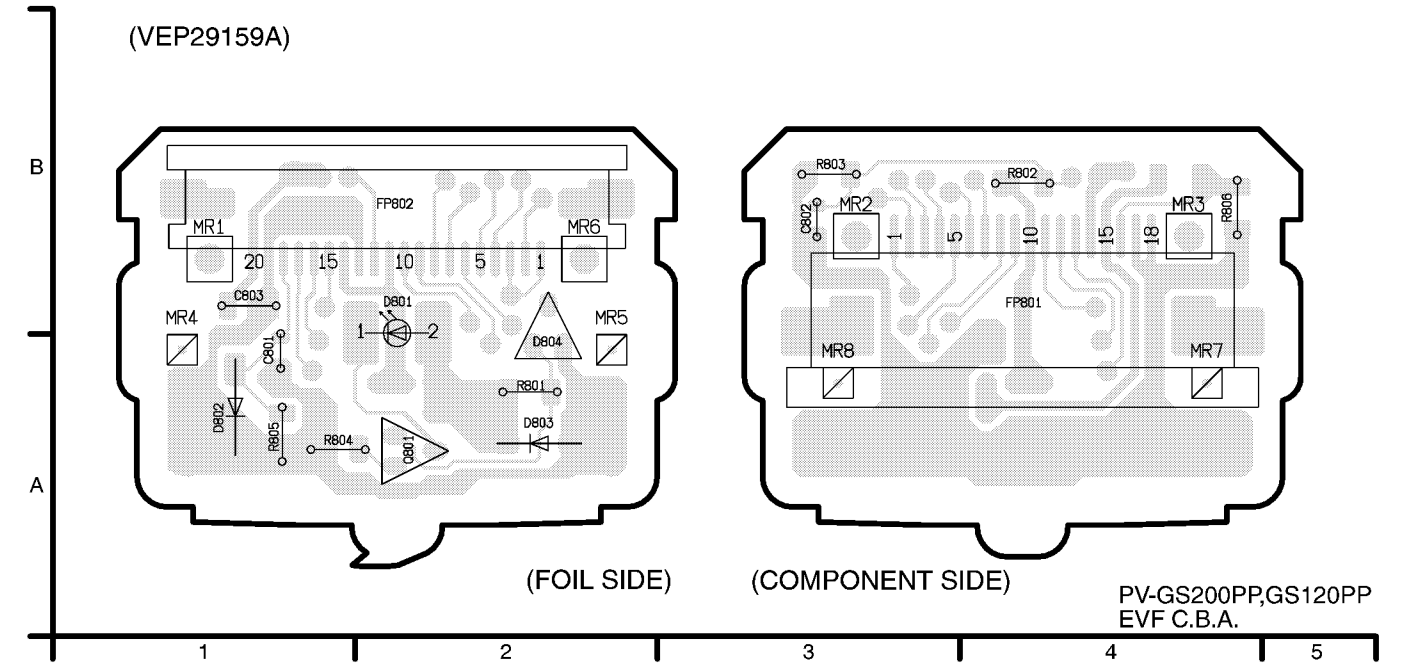
Pin No.	Signal Name	I/O	Explanation	Pin No.	Signal Name	I/O	Explanation
245	NC	-	NC	264	CAM KEY 1	I	Analogue key Input
246	STNDBY LED	O	STNDBY LED	265	NC	-	GND
247	POWER LED	O	POWER LED	266	BLC	I	BLC
248	TALLY LED	O	TALLY LED	267	REGD3V DET	I	Shutdown Detect
249	NC	-	NC	268	BATT REF	I	Battery Input
250	DVSS	-	GND	269	VCR KEY 3	I	Analogue key Input
251	NC	-	NC	270	BATTERY	I	Battery Voltage Input
252	DVCC2	I	Voltage	271	VCR KEY 5	I	Analogue key Input
253	AVSS	-	GND	272	VCR KEY 2	I	Analogue key Input
254	LOAD LOCK DET	I	Finger scissors detection	273	EXT MIC	I	Outside microphone
255	AVCC32	I	Voltage	274	Y LEVEL	O	Y LEVEL
256	T PHOTO	I	T Photo Input	275	NC	I	Operational amplifier Output
257	BATT D	I	D Terminal input	276	DEW	I	DEW Sensor
258	S PHOTO	I	S Photo In	277	AWP DET	I	AWP Connect Detect
259	MIC AD1	I	Contact ID Input	278	UNI REMO	I	Free Style Remote Control Input
260	MIC AD2	I	Contact ID Input	279	WIDE DET	I	Wide Discrimination
261	MIC AD3	I	Contact ID Input	280	VREFL	-	GND
262	AVSS	-	GND	281	VREFH	I	Voltage
263	VCR KEY 1	I	Analogue key Input				

14 CIRCUIT BOARD ASSEMBLIES

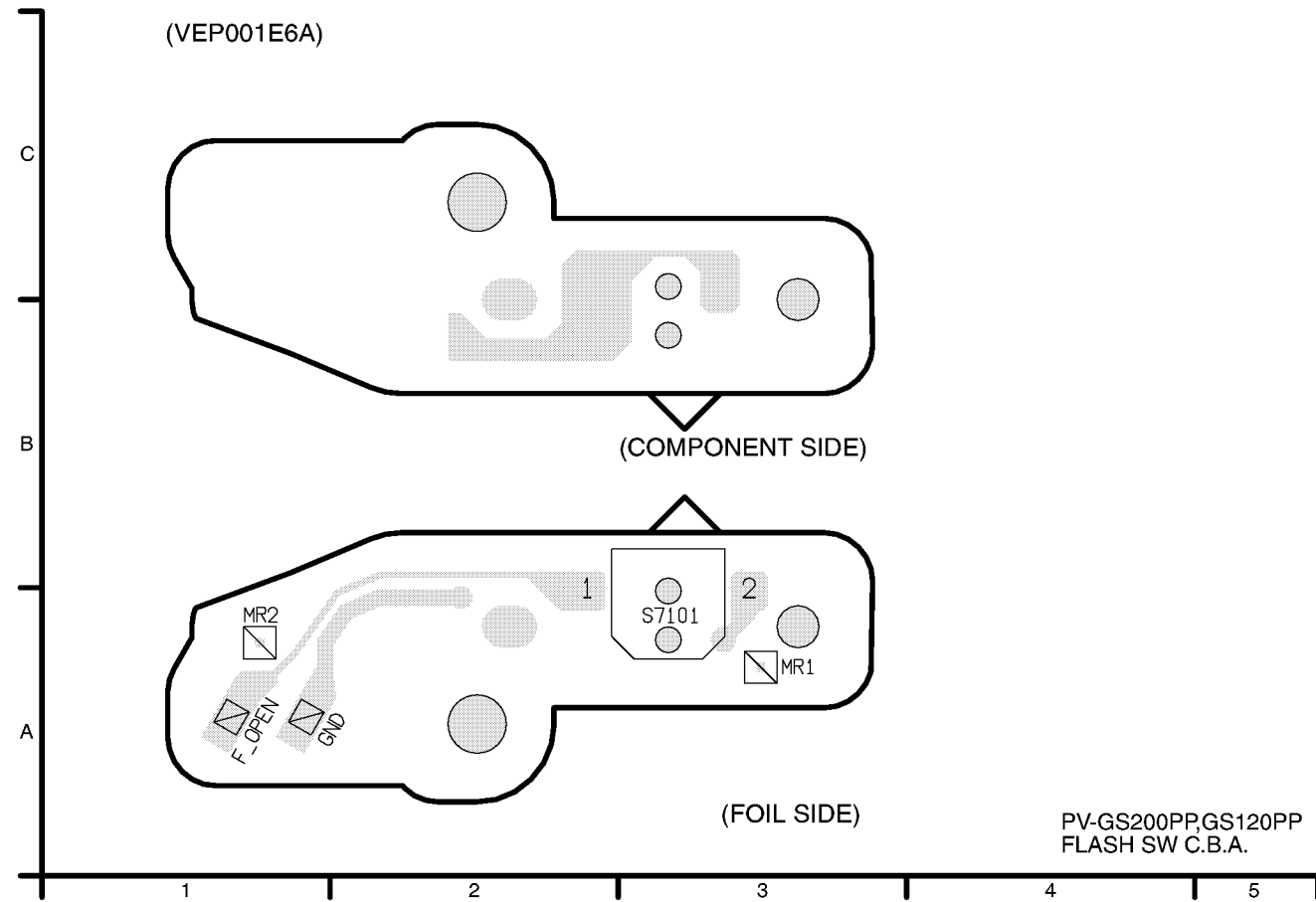
14.1. SIDE (L) C.B.A.



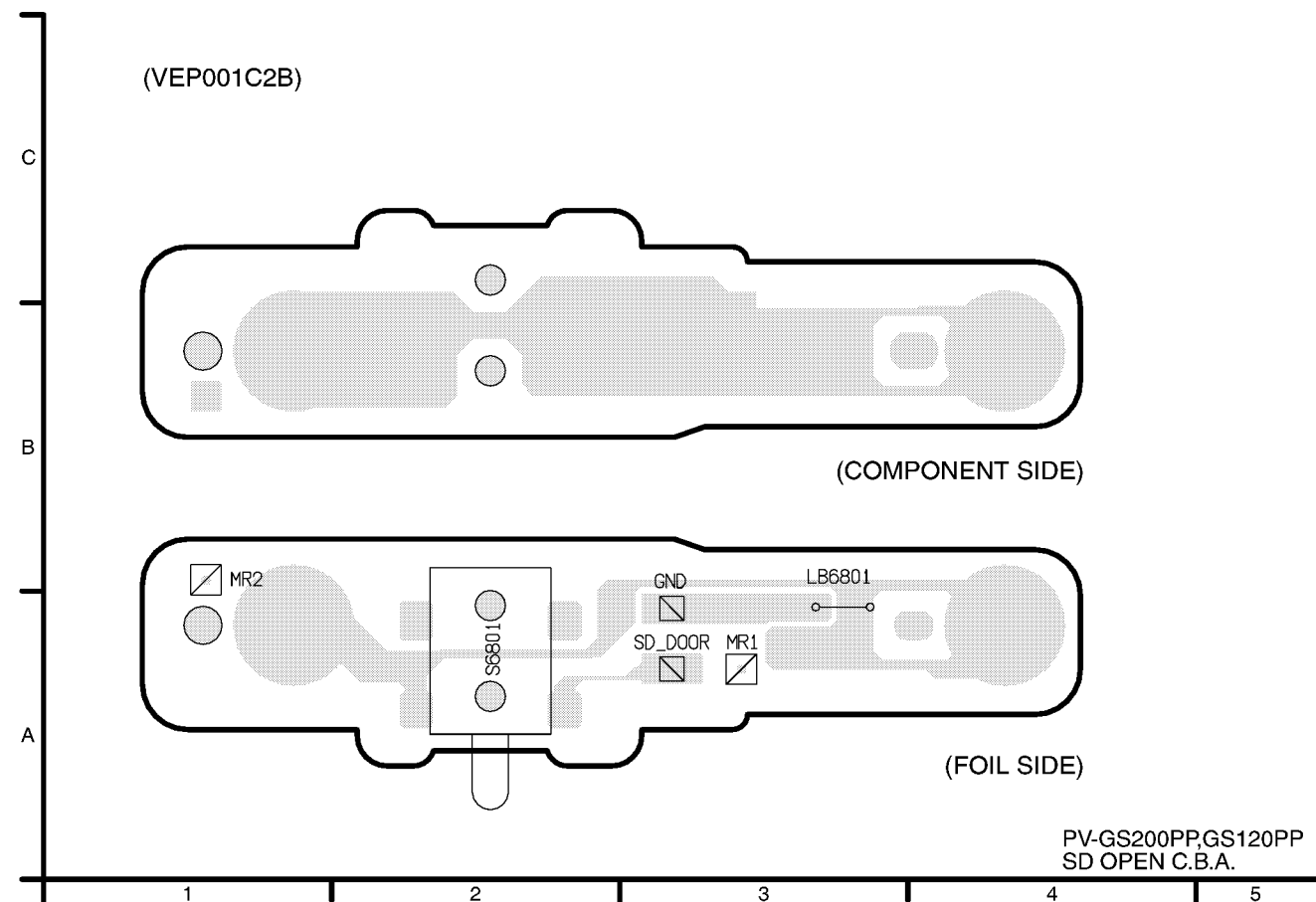
14.2. EVF C.B.A.



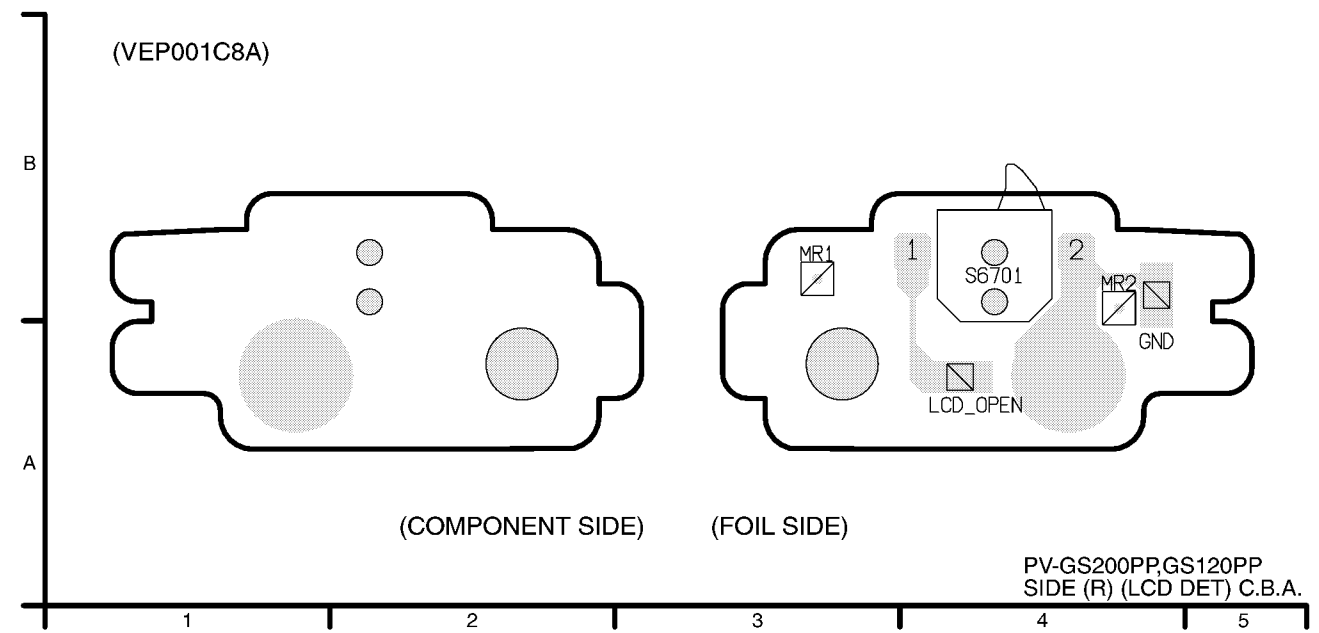
14.3. FLASH C.B.A.



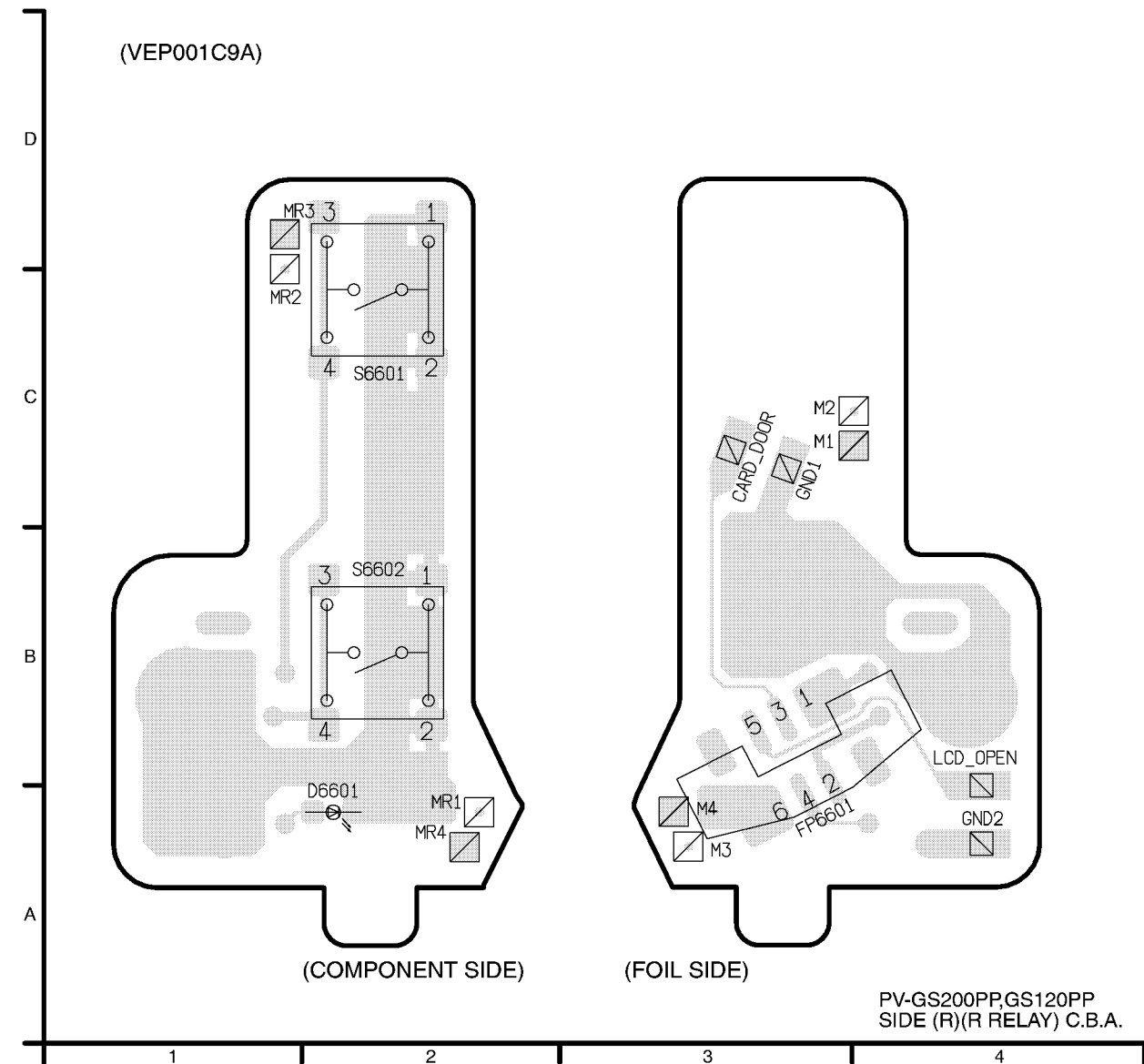
14.4. SD OPEN C.B.A.



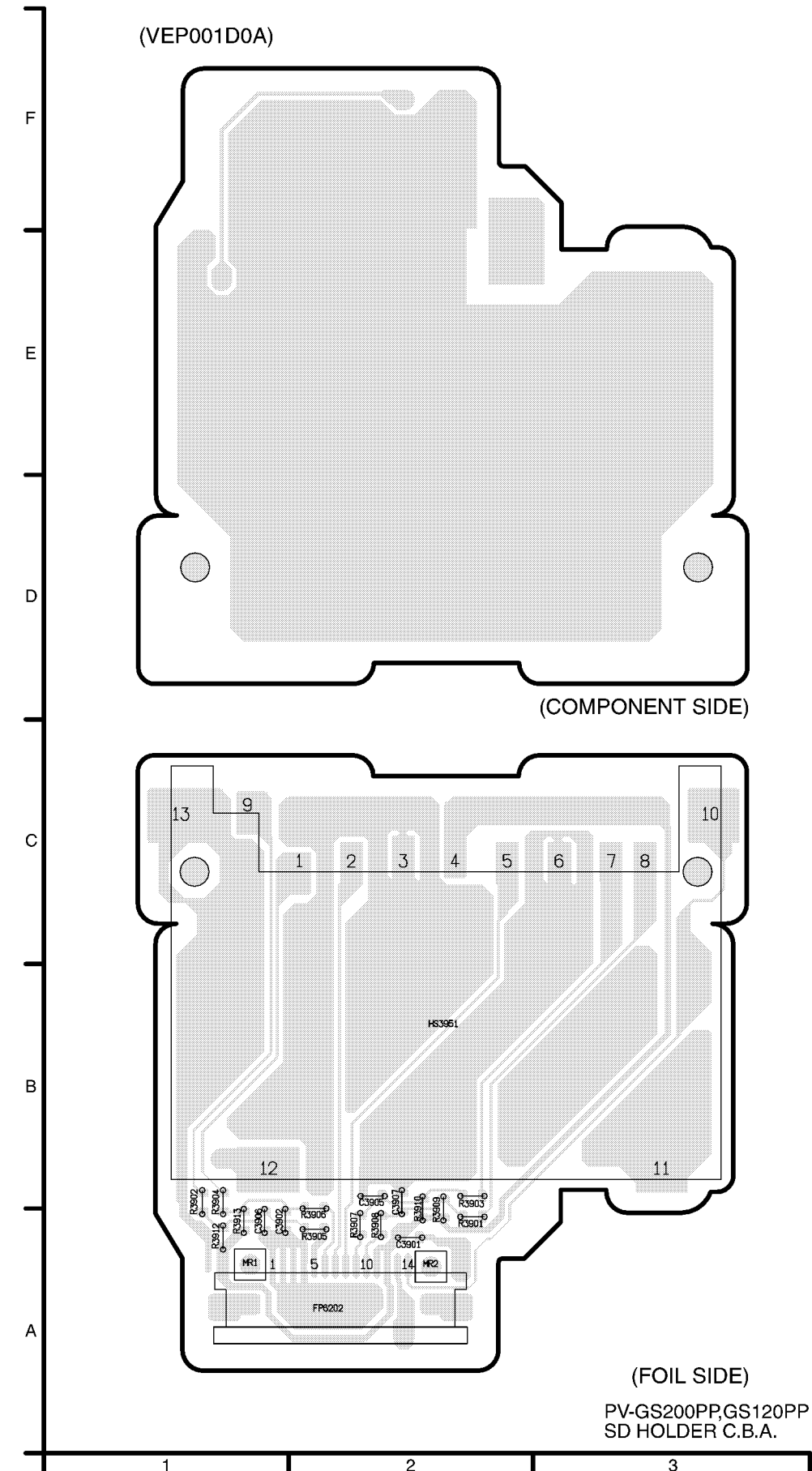
14.5. SIDE (R) (LCD DET) C.B.A.



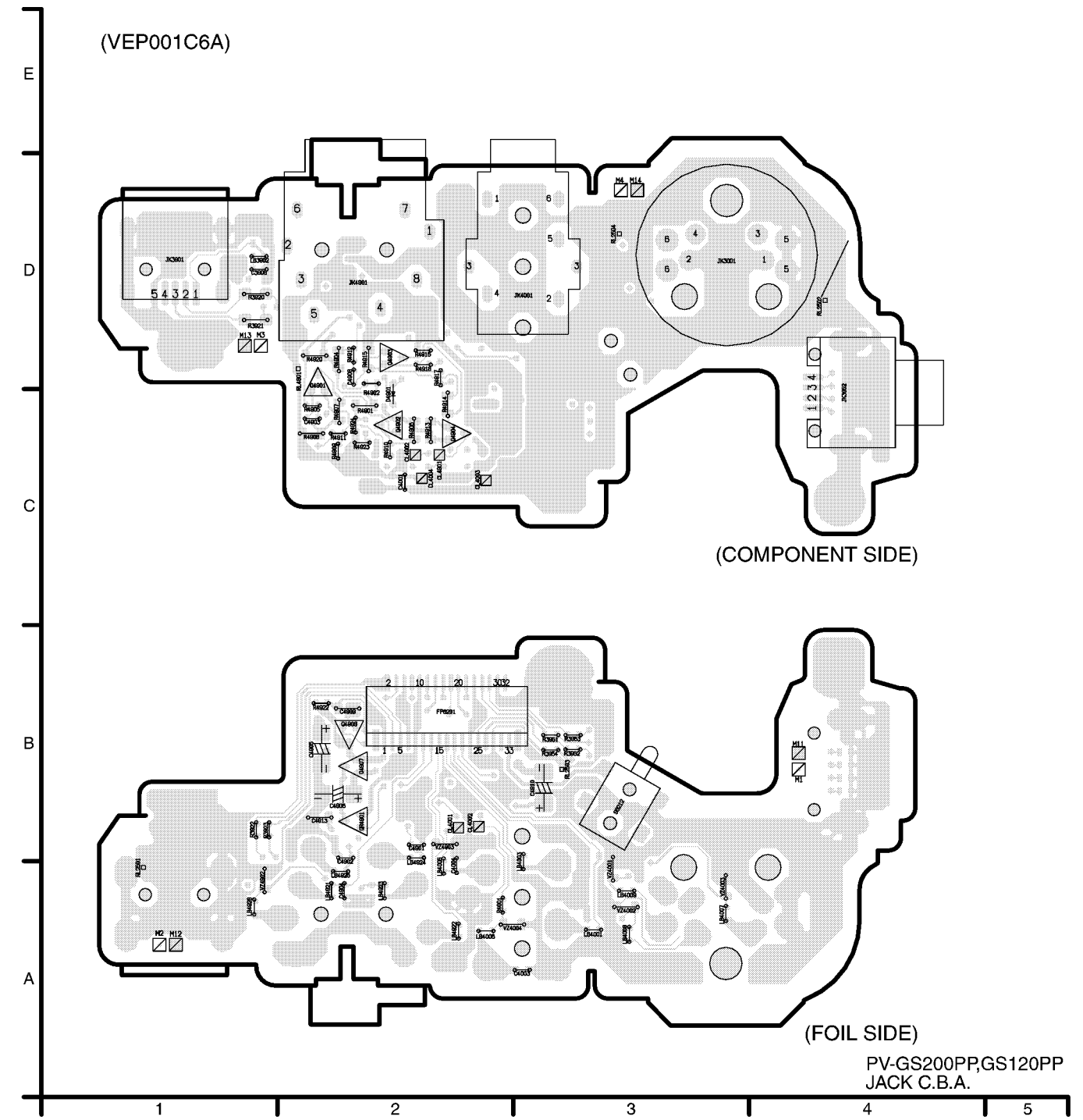
14.6. SIDE (R) (R RELAY) C.B.A.



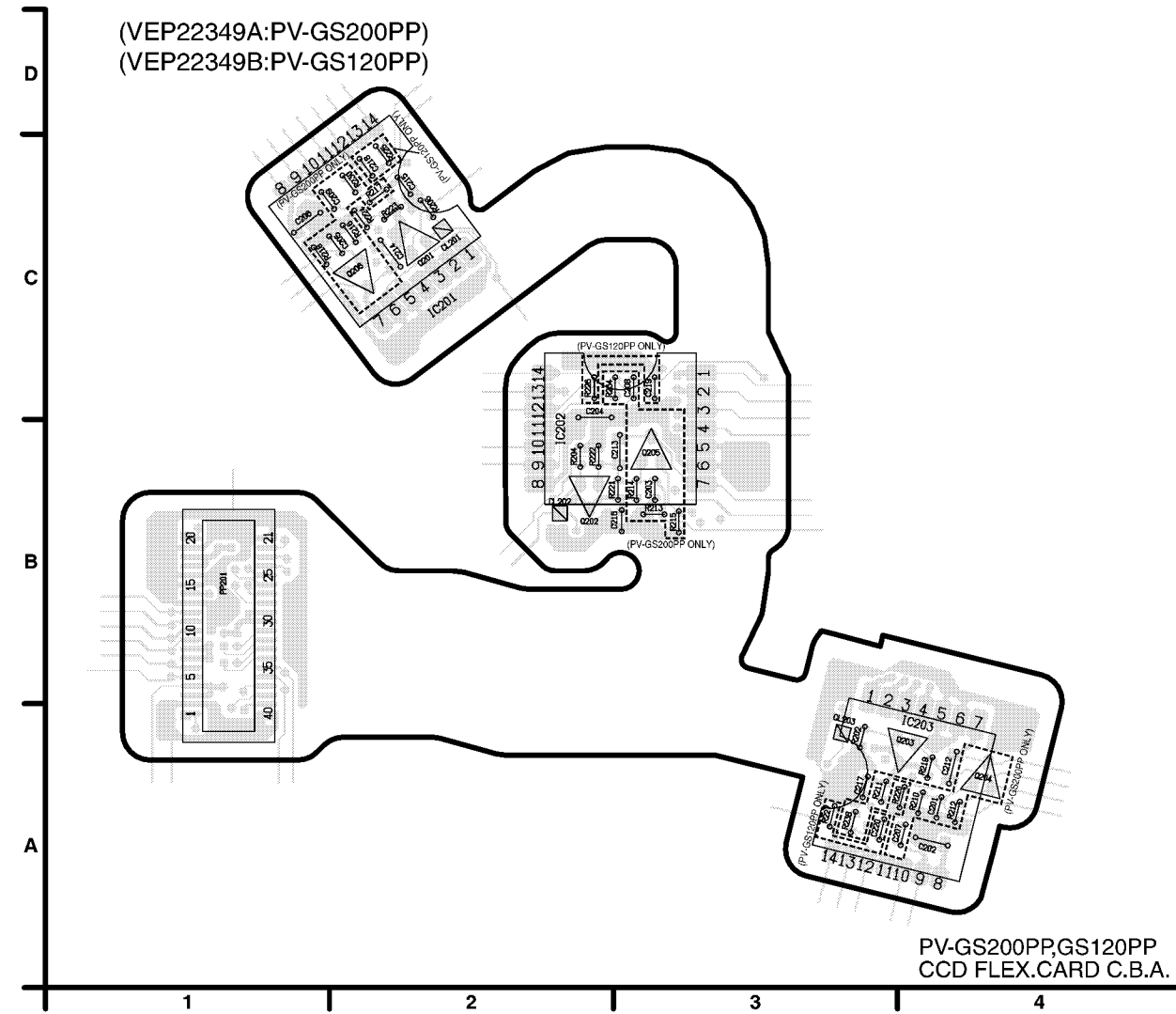
14.7. SD HOLDER C.B.A.



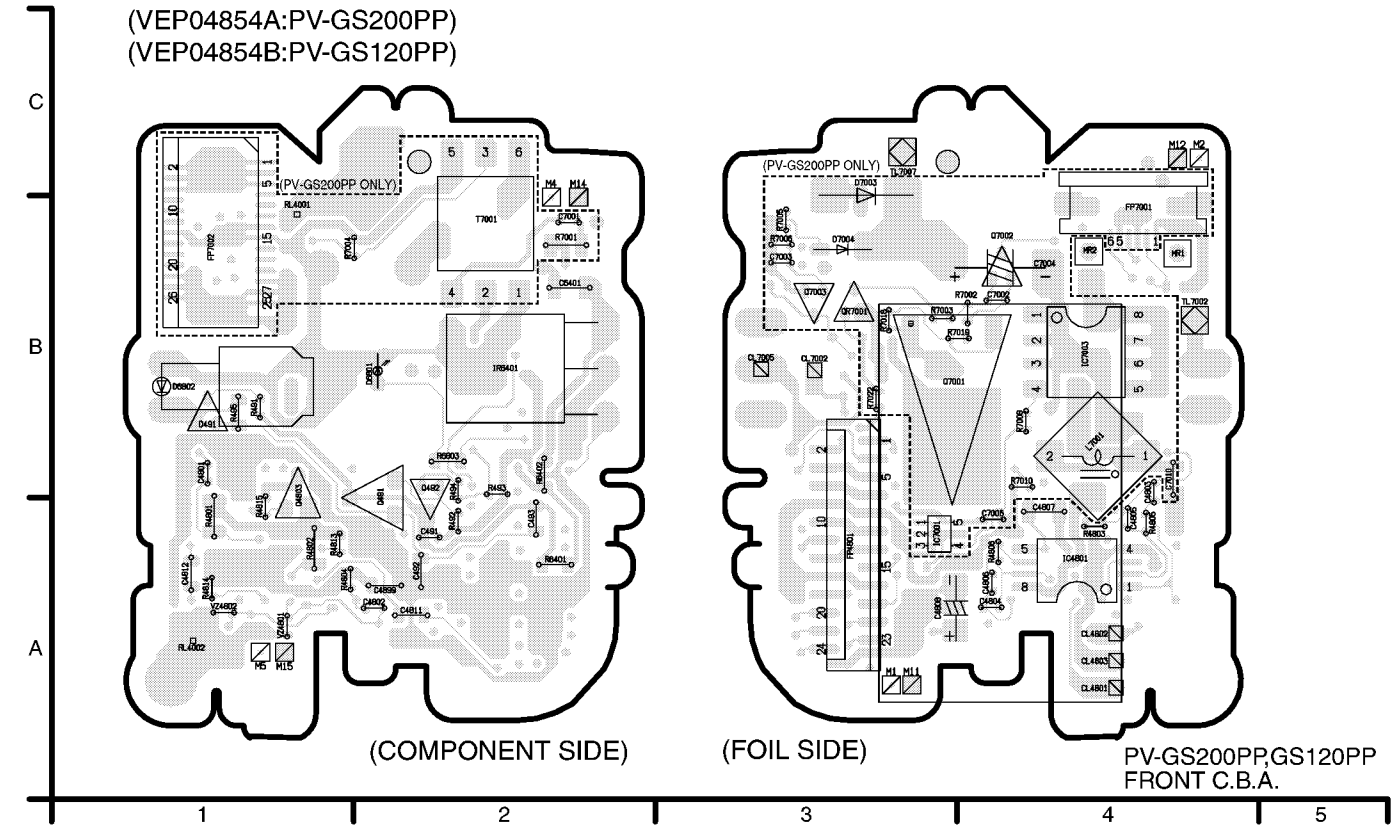
14.8. JACK C.B.A.



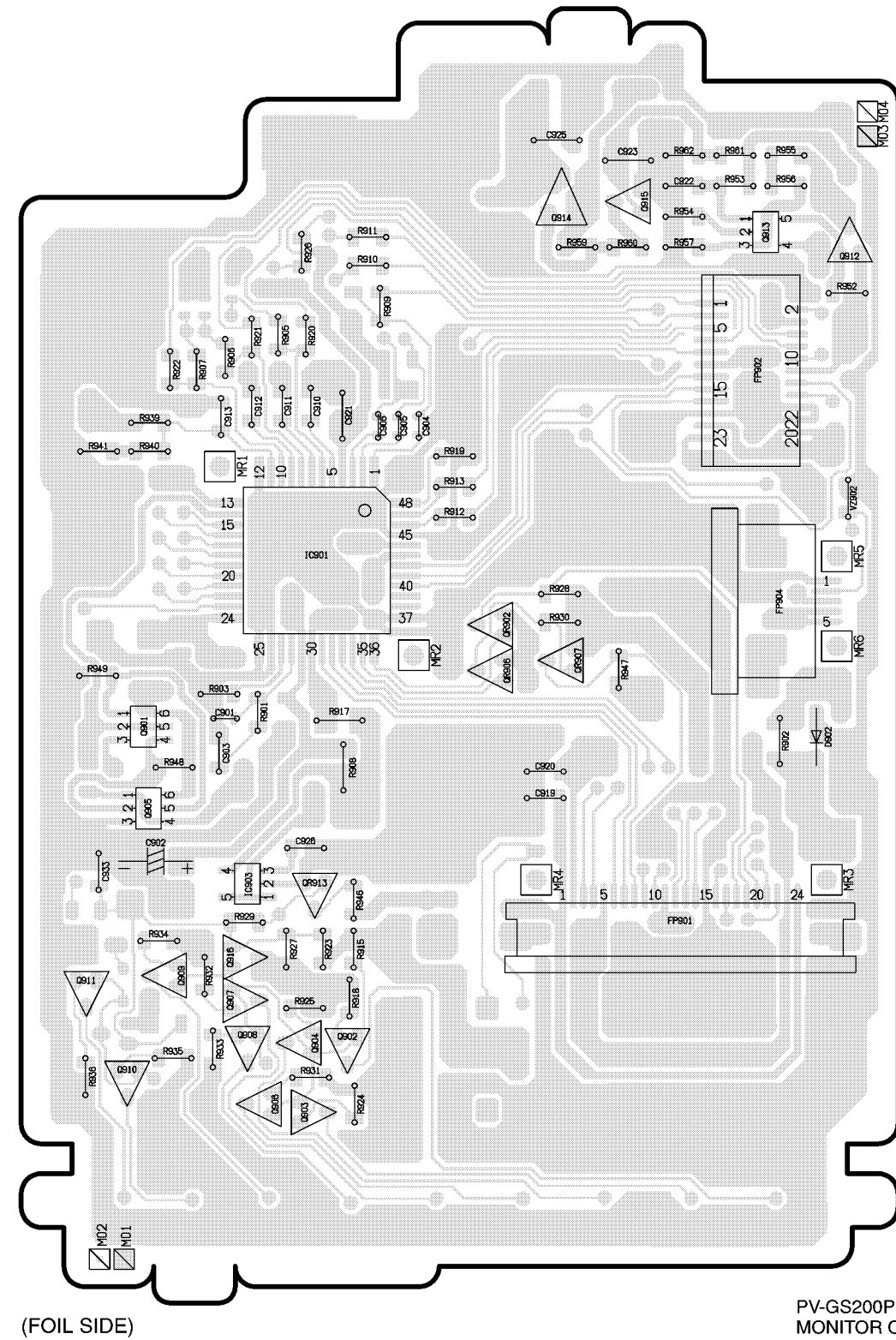
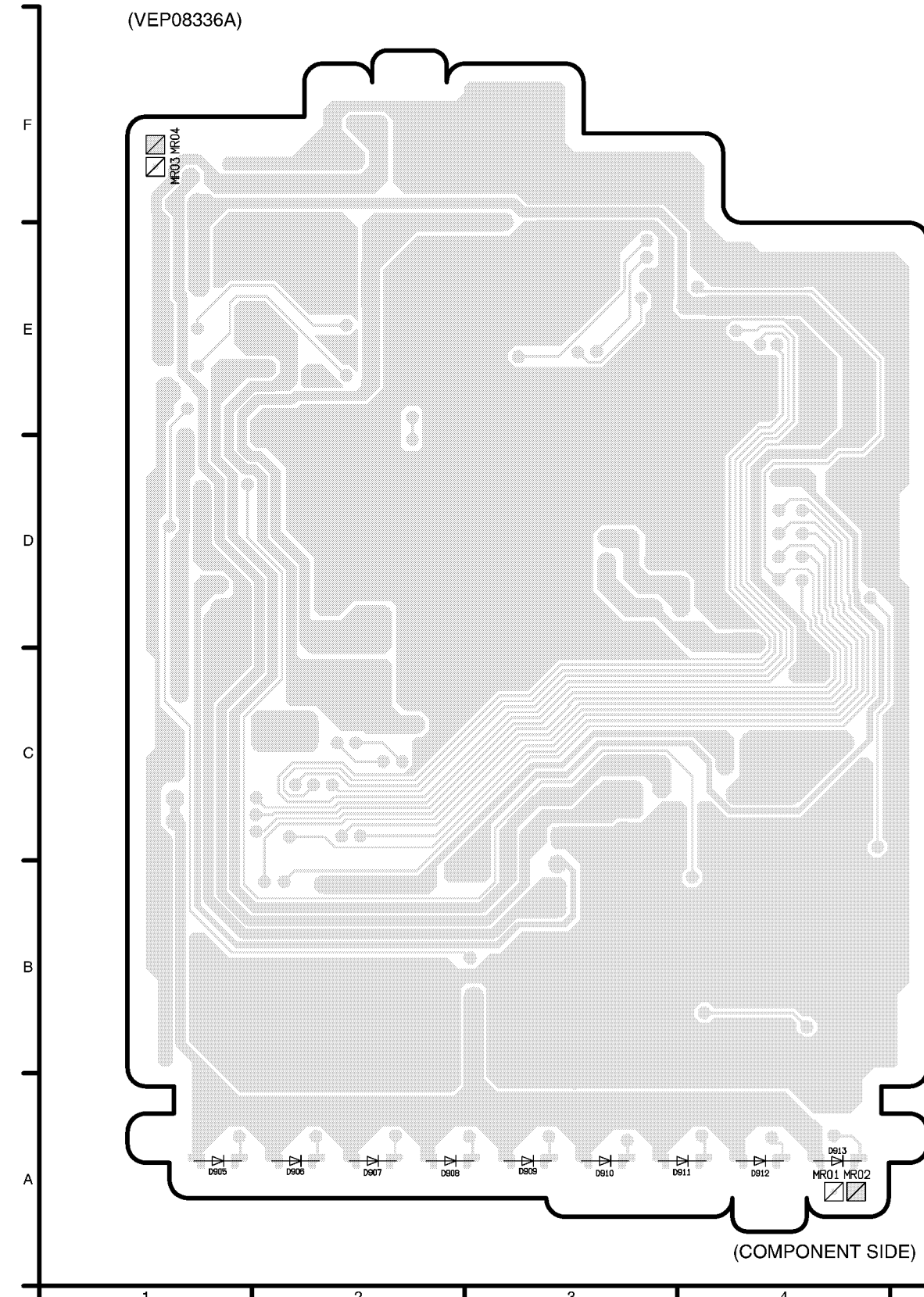
14.9. CCD FLEX. CARD C.B.A.



14.10. FRONT C.B.A.



14.11. MONITOR C.B.A. (PV-GS120PP ONLY)



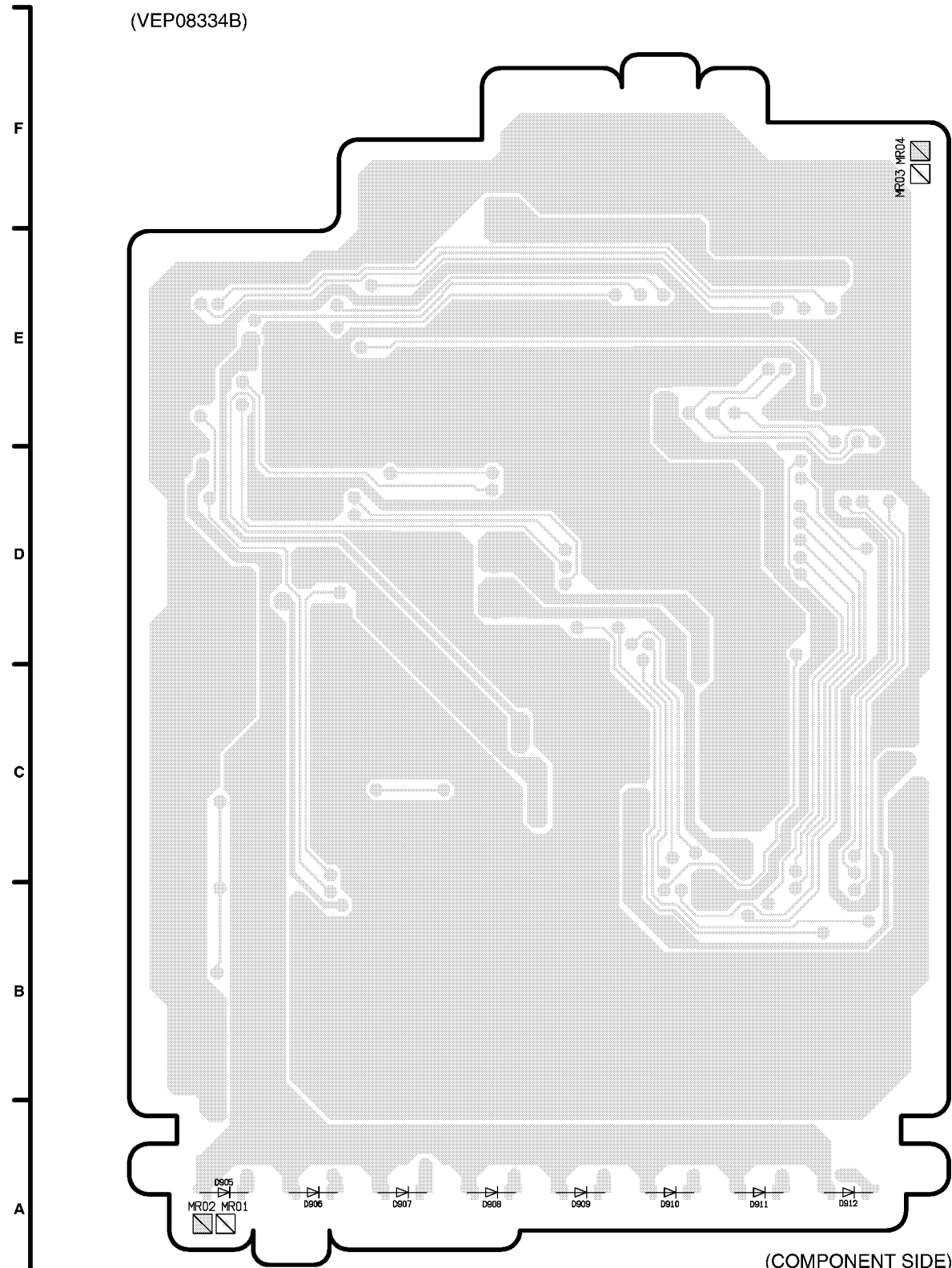
Monitor C.B.A.		
Integrated Circuit	C925	F-8
IC901	D-6	C-6
IC903	C-6	C-6
Transister	Resistor	
Q901	C-6	R901
Q902	B-7	R902
Q903	B-6	R903
Q904	B-6	R905
Q905	C-6	R906
Q906	B-6	R907
Q907	B-6	R908
Q908	B-6	R909
Q909	B-6	R910
Q910	B-6	R911
Q911	B-6	R912
Q912	F-9	R913
Q913	E-8	R915
Q914	E-8	R917
Q915	E-8	R918
Q916	B-6	R919
Transister & Resistor	R920	E-6
QR902	D-7	R921
QR906	C-7	R922
QR907	D-8	R923
QR913	C-6	R924
Connector	R925	B-6
FP901	B-8	R926
FP902	E-8	R927
FP904	D-8	R928
Diode	R929	B-6
D902	C-9	R930
D905	A-1	R931
D906	A-2	R932
D907	A-2	R933
D908	A-2	R934
D909	A-3	R935
D910	A-3	R936
D911	A-4	R939
D912	A-4	R940
D913	A-4	R941
Absorber	R946	B-7
VZ902	D-9	R947
Capacitor	R948	C-6
C901	C-6	R949
C902	C-6	R952
C903	C-6	R953
C904	E-7	R954
C905	E-7	R955
C906	E-7	R956
C910	E-6	R957
C911	E-6	R959
C912	E-6	R960
C913	E-6	R961
C919	C-7	R962
C920	C-7	
C921	E-7	
C922	F-8	
C923	F-8	

ADDRESS INFORMATION

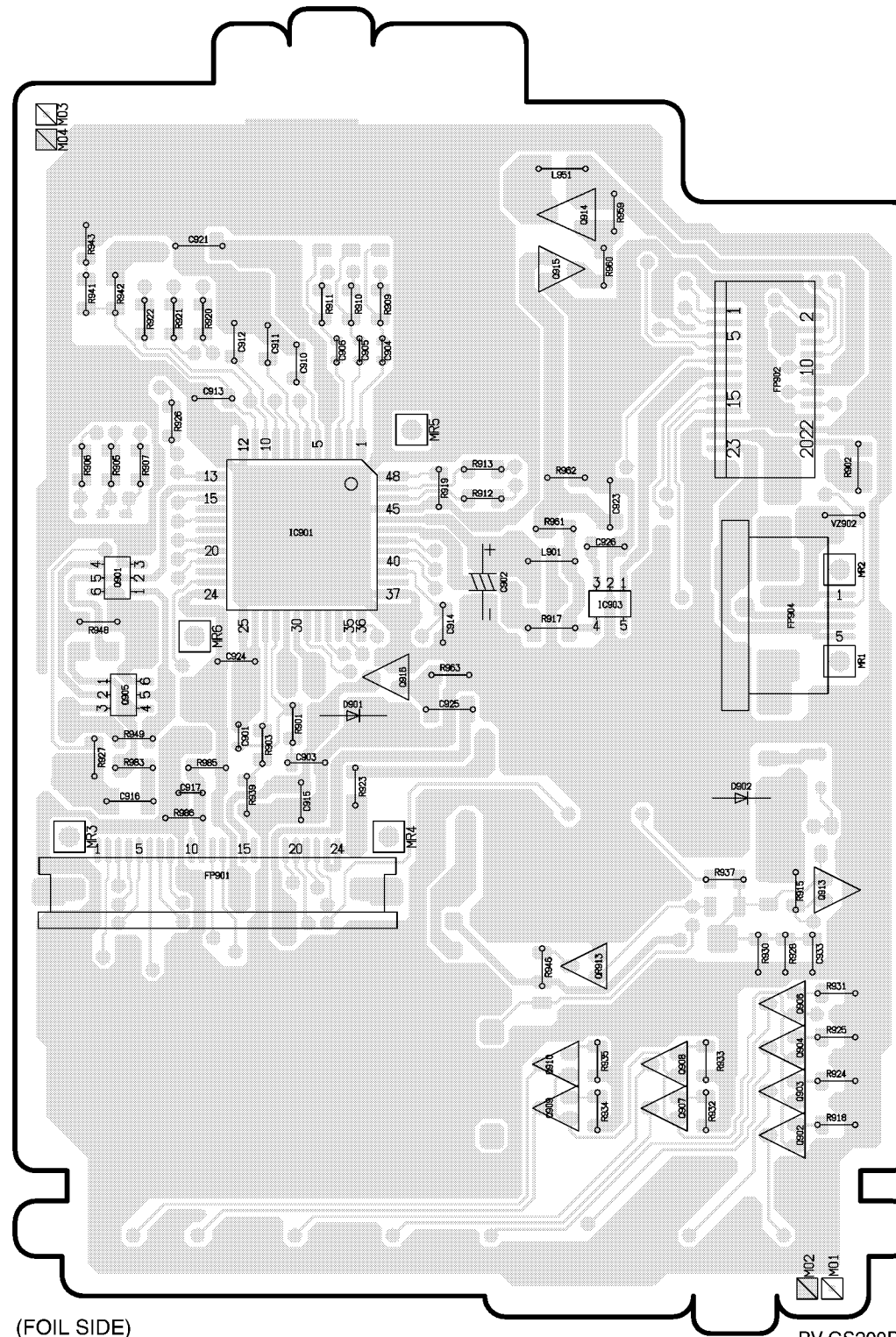
PV-GS200PP,GS120PP
MONITOR C.B.A.
(PV-GS120PP ONLY)

14.12. MONITOR C.B.A. (PV-GS200PP ONLY)

(VEP08334B)



(COMPONENT SIDE)



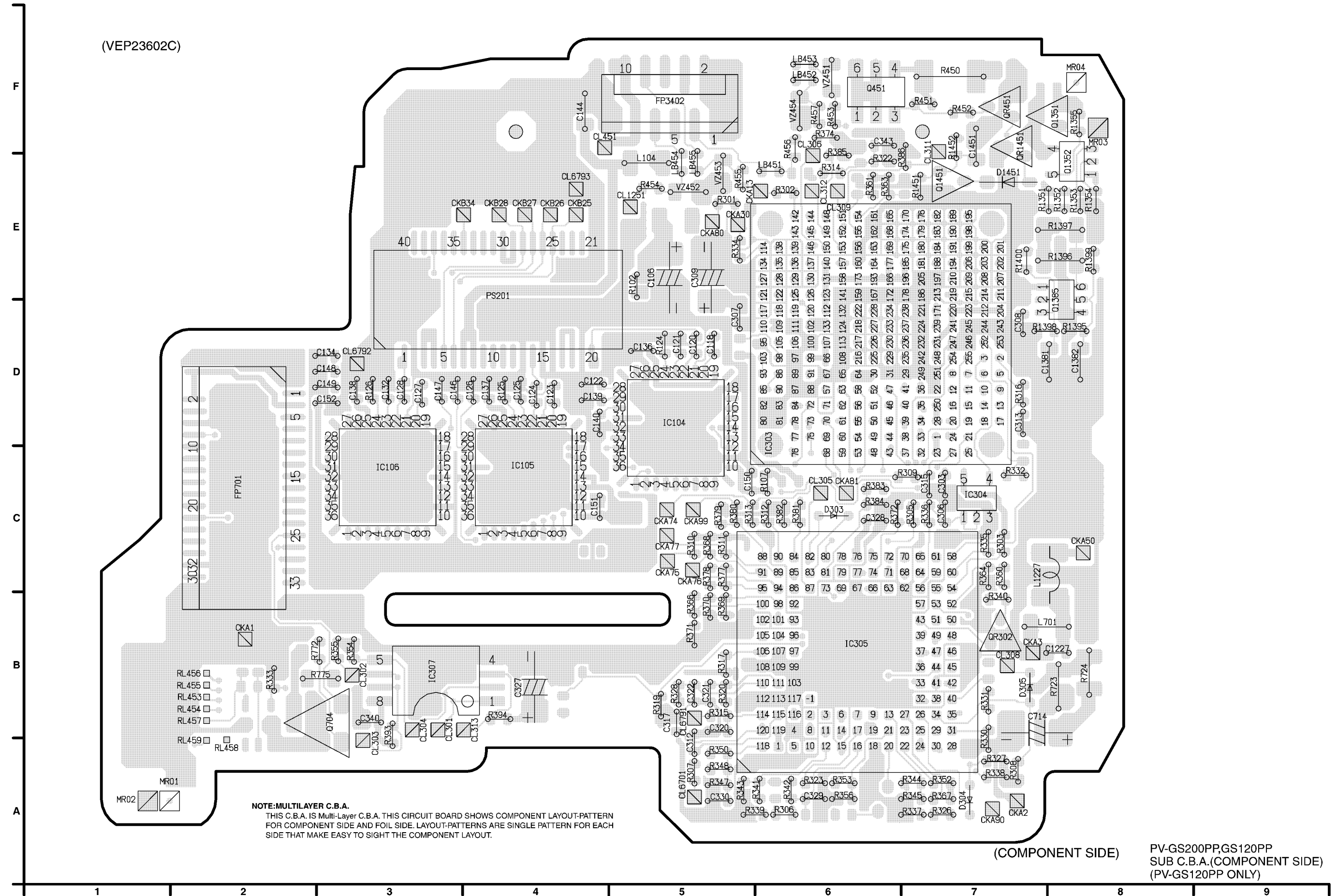
(FOIL SIDE)

Monitor C.B.A.		
Integrated Circuit	C924	D-6
IC901	D-6	C925 C-7
IC903	D-8	C926 D-8
Transister	C933	B-9
Q901	D-6	Resistor
Q902	B-9	R901 C-6
Q903	B-9	R902 D-9
Q904	B-9	R903 C-6
Q905	C-6	R905 D-6
Q906	B-9	R906 D-6
Q907	B-8	R907 D-6
Q908	B-8	R909 E-7
Q909	B-8	R910 E-7
Q910	B-8	R911 E-7
Q913	C-9	R912 D-7
Q914	E-8	R913 D-7
Q915	E-8	R915 C-9
Q916	D-7	R917 D-8
Transister & Resistor	R919	D-7
QR913	B-8	R920 E-6
Connector	R921	E-6
FP901	C-6	R922 E-6
FP902	E-8	R923 C-7
FP904	D-8	R924 B-9
Diode	R925	B-9
D901	C-7	R926 E-6
D902	C-8	R927 C-6
D905	A-1	R928 B-8
D906	A-2	R930 B-8
D907	A-2	R931 B-9
D908	A-3	R932 B-8
D909	A-3	R933 B-8
D910	A-3	R934 B-8
D911	A-4	R935 B-8
D912	A-4	R937 C-8
Absorber	R939	C-6
VZ902	D-9	R941 E-6
Coil	R942	E-6
L901	D-8	R943 E-6
L951	F-8	R946 B-7
Capacitor	R948	D-6
C901	C-6	R949 C-6
C902	D-7	R959 E-8
C903	C-6	R960 E-8
C904	E-7	R961 D-8
C905	E-7	R962 D-8
C906	E-7	R963 D-7
C910	E-6	R983 C-6
C911	E-6	R985 C-6
C912	E-6	R986 C-6
C913	E-6	
C914	D-7	
C915	C-6	
C916	C-6	
C917	C-6	
C918	C-6	
C921	E-6	
C923	D-8	

ADDRESS INFORMATION

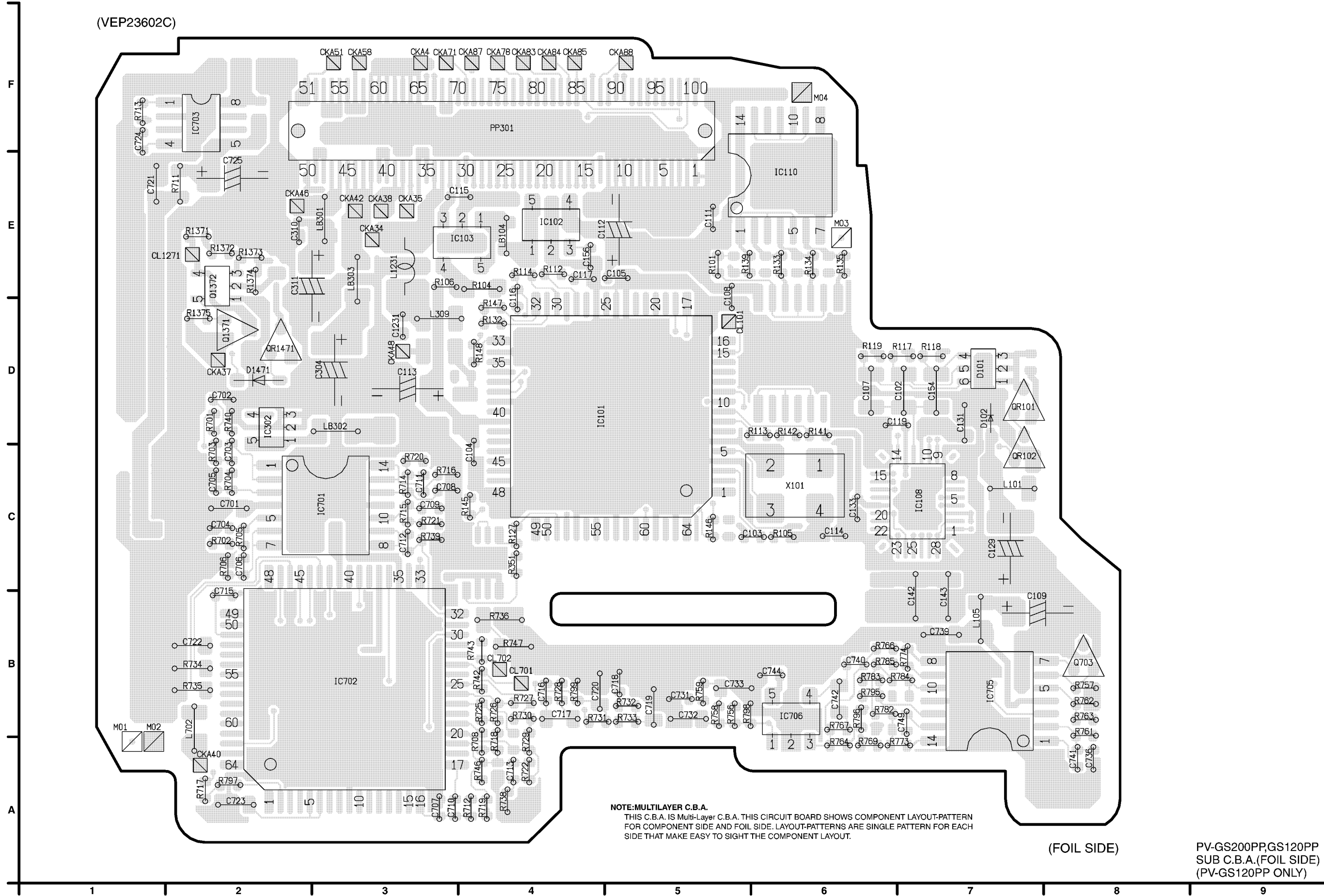
PV-GS200PP,GS120PP
MONITOR C.B.A.
(PV-GS200PP ONLY)

14.13. SUB C.B.A. (COMPONENT SIDE) (PV-GS120PP ONLY)



14.14. SUB C.B.A. (FOIL SIDE) (PV-GS120PP ONLY)

(VEP23602C)



NOTE: MULTILAYER C.B.A.
 THIS C.B.A. IS Multi-Layer C.B.A. THIS CIRCUIT BOARD SHOWS COMPONENT LAYOUT-PATTERN FOR COMPONENT SIDE AND FOIL SIDE. LAYOUT-PATTERNS ARE SINGLE PATTERN FOR EACH SIDE THAT MAKE EASY TO SIGHT THE COMPONENT LAYOUT.

(FOIL SIDE)

PV-GS200PP,GS120PP
SUB C.B.A.(FOIL SIDE)
(PV-GS120PP ONLY)

Sub C.B.A.																	
Integrated Circuit	PP301	F-4	F	C139	D-4	C	C749	B-7	F	R342	A-6	C	R728	B-4	F		
IC101	D-4	F	PS201	E-4	C	C140	D-4	C	C1227	B-8	C	R343	A-5	C	R729	A-4	F
IC102	E-4	F	Diode			C142	B-7	F	C1231	D-3	F	R344	A-7	C	R730	B-4	F
IC103	E-4	F	D101	D-7	F	C143	B-7	F	C1381	D-8	C	R345	A-7	C	R731	B-4	F
IC104	D-5	C	D102	D-7	F	C144	F-4	C	C1382	D-8	C	R347	A-5	C	R732	B-5	F
IC105	C-4	C	D303	C-6	C	C146	D-3	C	C1451	F-7	C	R348	A-5	C	R733	B-5	F
IC106	C-3	C	D304	A-7	C	C147	D-3	C	Resistor			R350	A-5	C	R734	B-2	F
IC108	C-7	F	D305	B-7	C	C148	D-3	C	R101	E-5	F	R351	C-4	F	R735	B-2	F
IC110	E-6	F	D1451	E-7	C	C149	D-3	C	R102	E-5	C	R352	A-7	C	R736	B-4	F
IC302	D-2	F	D1471	D-2	F	C150	C-5	C	R104	E-4	F	R353	A-6	C	R738	A-4	F
IC303	D-6	C	Absorber			C151	C-4	C	R105	C-6	F	R354	B-3	C	R739	C-3	F
IC304	C-7	C	VZ451	F-6	C	C152	D-3	C	R106	E-3	F	R355	B-3	C	R740	D-2	F
IC305	B-6	C	VZ452	E-5	C	C154	D-7	F	R107	C-6	C	R356	A-6	C	R742	B-4	F
IC307	B-3	C	VZ453	E-5	C	C156	E-4	F	R112	E-4	F	R360	C-7	C	R743	B-4	F
IC701	C-3	F	VZ454	F-6	C	C303	C-7	C	R113	D-6	F	R361	E-6	C	R746	A-4	F
IC702	B-3	F	Crystal Oscillator			C304	D-3	F	R114	E-4	F	R363	E-6	C	R747	B-4	F
IC703	F-2	F	X101	C-6	F	C306	C-7	C	R117	D-7	F	R364	C-7	C	R756	B-5	F
IC705	B-7	F	Coil			C307	D-5	C	R118	D-7	F	R366	B-5	C	R757	B-8	F
IC706	B-6	F	L101	C-7	F	C308	D-7	C	R119	D-6	F	R367	A-7	C	R758	B-5	F
Transistor	L104	E-5	C	C309	E-5	C	R124	D-5	C	R368	C-5	C	R759	B-5	F		
Q451	F-6	C	L105	B-7	F	C310	E-2	F	R125	D-4	C	R369	B-5	C	R761	B-8	F
Q703	B-8	F	L309	D-3	F	C311	E-2	F	R126	D-3	C	R370	B-5	C	R762	B-8	F
Q704	B-2	C	L701	B-7	C	C312	A-5	C	R127	C-4	F	R371	B-5	C	R763	B-8	F
Q1351	F-7	C	L702	B-2	F	C313	D-7	C	R132	D-4	F	R372	C-6	C	R764	A-6	F
Q1352	E-8	C	L1227	C-8	C	C315	C-7	C	R133	E-6	F	R374	F-6	C	R766	B-6	F
Q1371	D-2	F	L1231	E-3	F	C317	B-5	C	R134	E-6	F	R377	C-5	C	R767	B-6	F
Q1372	E-2	F	LB104	E-4	F	C320	B-5	C	R135	E-6	F	R378	C-5	C	R769	A-6	F
Q1385	E-8	C	LB301	E-3	F	C321	B-5	C	R139	E-5	F	R379	C-5	C	R772	B-2	C
Q1451	E-7	C	LB302	D-3	F	C322	B-5	C	R141	D-6	F	R380	C-5	C	R773	A-7	F
Transistor & Resistor	LB303	E-3	F	C327	B-4	C	R142	D-6	F	R381	C-6	C	R774	B-7	F		
QR101	D-7	F	LB451	E-6	C	C328	C-6	C	R145	C-4	F	R382	C-6	C	R775	B-2	C
QR102	C-7	F	LB452	F-6	C	C329	A-6	C	R146	C-5	F	R383	C-6	C	R782	B-6	F
QR301	A-6	C	LB453	F-6	C	C330	A-5	C	R147	D-4	F	R384	C-6	C	R783	B-6	F
QR302	B-7	C	LB454	E-5	C	C340	B-3	C	R148	D-4	F	R385	E-6	C	R784	B-7	F
QR451	F-7	C	LB455	E-5	C	C343	F-6	C	R301	E-5	C	R386	E-6	C	R785	B-6	F
QR1451	F-7	C	Capacitor			C701	C-2	F	R302	E-6	C	R393	B-3	C	R795	B-6	F
QR1471	D-2	F	C102	D-7	F	C702	D-2	F	R303	C-7	C	R394	B-4	C	R796	B-6	F
Test Point	C103	C-6	F	C703	C-2	F	R305	C-7	C	R450	F-7	C	R797	A-2	F		
CL101	D-5	F	C104	C-4	F	C704	C-2	F	R306	A-6	C	R451	F-7	C	R798	B-5	F
CL301	B-3	C	C105	E-4	F	C705	C-2	F	R307	A-5	C	R452	F-7	C	R799	B-4	F
CL302	B-3	C	C106	E-5	C	C706	C-2	F	R308	A-7	C	R453	F-6	C	R1351	E-8	C
CL303	A-3	C	C107	D-6	F	C707	A-3	F	R309	C-7	C	R454	E-5	C	R1352	E-8	C
CL304	B-3	C	C109	B-8	F	C708	C-3	F	R310	C-5	C	R455	E-5	C	R1353	E-8	C
CL305	C-6	C	C111	E-5	F	C709	C-3	F	R311	C-5	C	R456	F-6	C	R1354	E-8	C
CL306	E-6	C	C112	E-5	F	C710	A-3	F	R312	C-6	C	R457	F-6	C	R1355	F-8	C
CL308	B-7	C	C113	D-3	F	C711	C-3	F	R313	C-5	C	R701	D-2	F	R1371	E-2	F
CL309	E-6	C	C114	C-6	F	C712	C-3	F	R314	E-6	C	R702	C-2	F	R1372	E-2	F
CL311	E-7	C	C115	E-4	F	C713	A-4	F	R315	B-5	C	R703	C-2	F	R1373	E-2	F
CL312	E-6	C	C116	D-4	F	C714	B-7	C	R316	D-7	C	R704	C-2	F	R1374	E-2	F
CL313	B-3	C	C117	E-4	F	C715	C-2	F	R317	B-5	C	R705	C-2	F	R1375	D-2	F
CL451	F-5	C	C118	D-5	C	C716	B-4	F	R319	B-5	C	R706	C-2	F	R1395	D-8	C
CL701	B-4	F	C119	D-6	F	C717	B-4	F	R320	B-5	C	R708	A-4	F	R1396	E-8	C
CL702	B-4	F	C120	D-5	C	C718	B-5	F	R322	E-6	C	R711	E-2	F	R1397	E-8	C
CL1251	E-5	C	C121	D-5	C	C719	B-5	F	R323	A-6	C	R712	A-4	F	R1398	D-7	C
CL1271	E-2	F	C122	D-4	C	C720	B-4	F	R326	A-7	C	R713	F-1	F	R1399	E-8	C
CL6701	A-5	C	C123	D-4	C	C721	E-1	F	R327	A-7	C	R714	C-3	F	R1400	E-7	C
CL6791	B-5	C	C124	D-4	C	C722	B-2	F	R328	B-5	C	R715	C-3	F	R1451	E-7	C
CL6792	D-3	C	C125	D-4	C	C723	A-2	F	R330	A-7	C	R716	C-3	F	R1452	F-7	C
CL6793	E-4	C	C126	D-4	C	C724	F-1	F	R331	B-7	C	R717	A-2	F			
RL453	B-2	C	C127	D-3	C	C725	E-2	F	R332	C-7	C	R718	A-4	F			
RL454	B-2	C	C128	D-3	C	C731	B-5	F	R333	B-2	C	R719	A-4	F			
RL455	B-2	C	C129	C-7	F	C732	B-5	F	R334	E-5	C	R720	C-3	F			
RL456	B-2	C	C131	D-7	F	C733	B-5	F	R335	C-7	C	R721	C-3	F			
RL457	B-2	C	C132	D-3	C	C736	A-8	F	R336	C-7	C	R722	A-4	F			
RL458	A-2	C	C133	C-6	F	C739	B-7	F	R337	A-7	C	R723	B-8	C			
RL459	A-2	C	C134	D-3	C	C740	B-6	F	R338	A-7	C	R724	B-8	C			
Connector	C136	D-5	C	C741	A-8	F	R339	A-6	C	R725	B-4	F					
FP701	C-2	C	C137	D-4	C	C742	B-6	F	R340	B-7	C	R726	B-4	F			
FP3402	F-5	C	C138	D-3	C	C744	B-6	F	R341	A-6	C	R727	B-4	F			

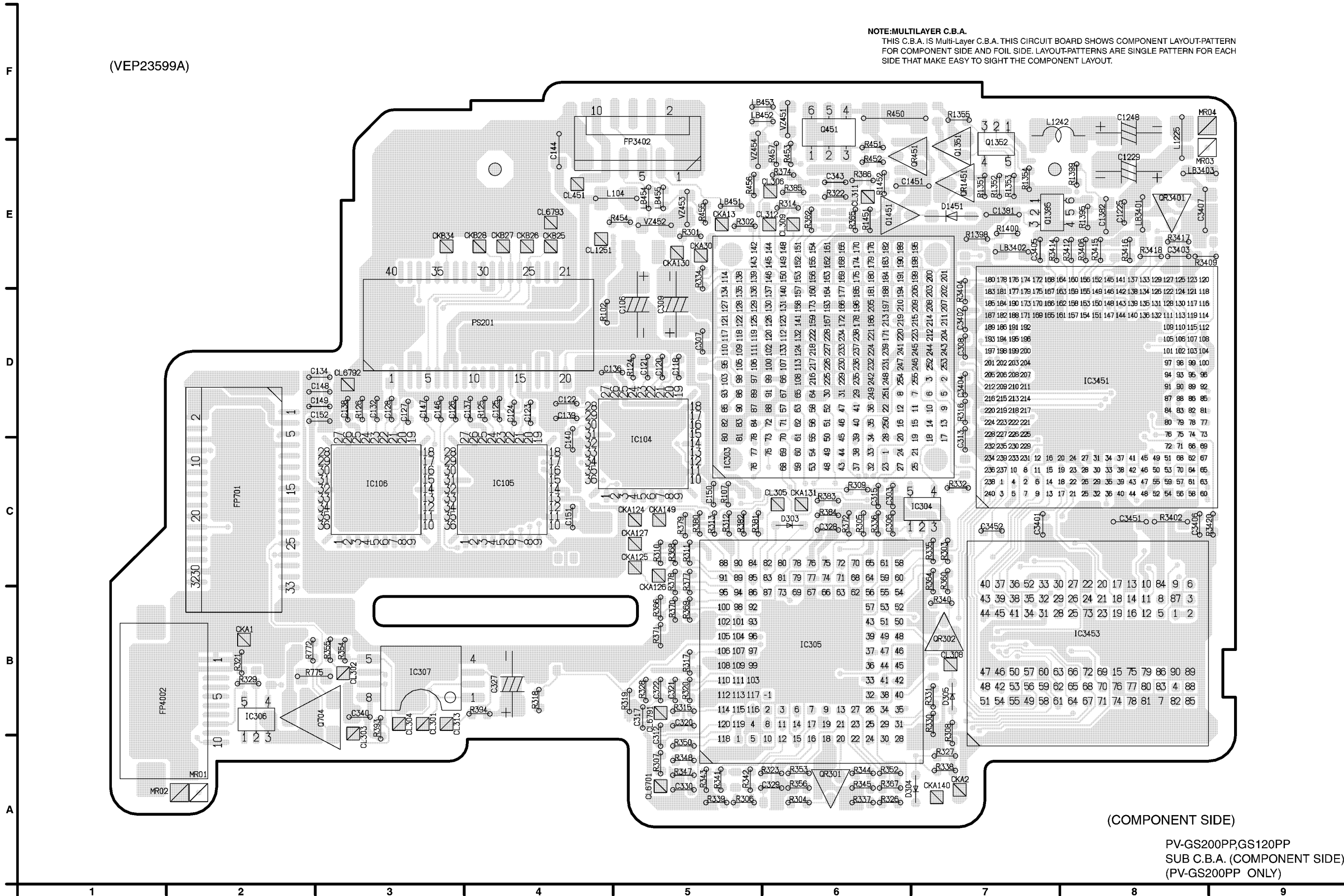
ADDRESS INFORMATION C...COMPONENT SIDE F...FOIL SIDE

14.15. SUB C.B.A. (COMPONENT SIDE) (PV-GS200PP ONLY)

(VEP23599A)

NOTE: MULTILAYER C.B.A.

THIS C.B.A. IS Multi-Layer C.B.A. THIS CIRCUIT BOARD SHOWS COMPONENT LAYOUT-PATTERN FOR COMPONENT SIDE AND FOIL SIDE. LAYOUT-PATTERNS ARE SINGLE PATTERN FOR EACH SIDE THAT MAKE EASY TO SIGHT THE COMPONENT LAYOUT.



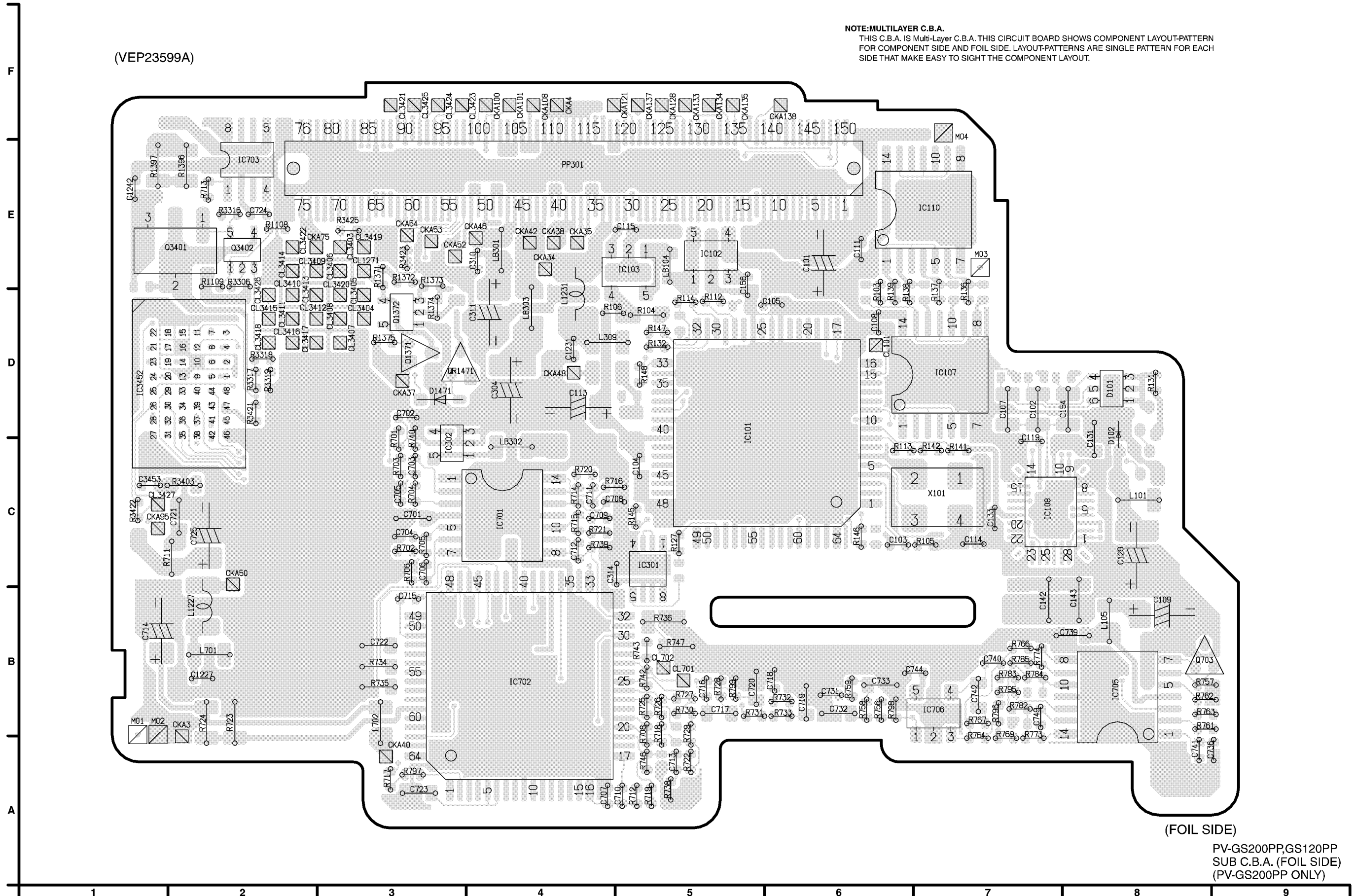
(COMPONENT SIDE)

PV-GS200PP,GS120PP
SUB C.B.A. (COMPONENT SIDE)
(PV-GS200PP ONLY)

14.16. SUB C.B.A. (FOIL SIDE) (PV-GS200PP ONLY)

(VEP23599A)

NOTE: MULTILAYER C.B.A.
THIS C.B.A. IS Multi-Layer C.B.A. THIS CIRCUIT BOARD SHOWS COMPONENT LAYOUT-PATTERN FOR COMPONENT SIDE AND FOIL SIDE. LAYOUT-PATTERNS ARE SINGLE PATTERN FOR EACH SIDE THAT MAKE EASY TO SIGHT THE COMPONENT LAYOUT.



(FOIL SIDE)
PV-GS200PP,GS120PP
SUB C.B.A. (FOIL SIDE)
(PV-GS200PP ONLY)

14.17. MAIN C.B.A. (COMPONENT SIDE)

(VEP03G57C: PV-GS200PP)
(VEP03G57H: PV-GS120PP)

NOTE: MULTILAYER C.B.A.

THIS C.B.A. IS Multi-Layer C.B.A. THIS CIRCUIT BOARD SHOWS COMPONENT LAYOUT-PATTERN FOR COMPONENT SIDE AND FOIL SIDE. LAYOUT-PATTERNS ARE SINGLE PATTERN FOR EACH SIDE THAT MAKE EASY TO SIGHT THE COMPONENT LAYOUT.

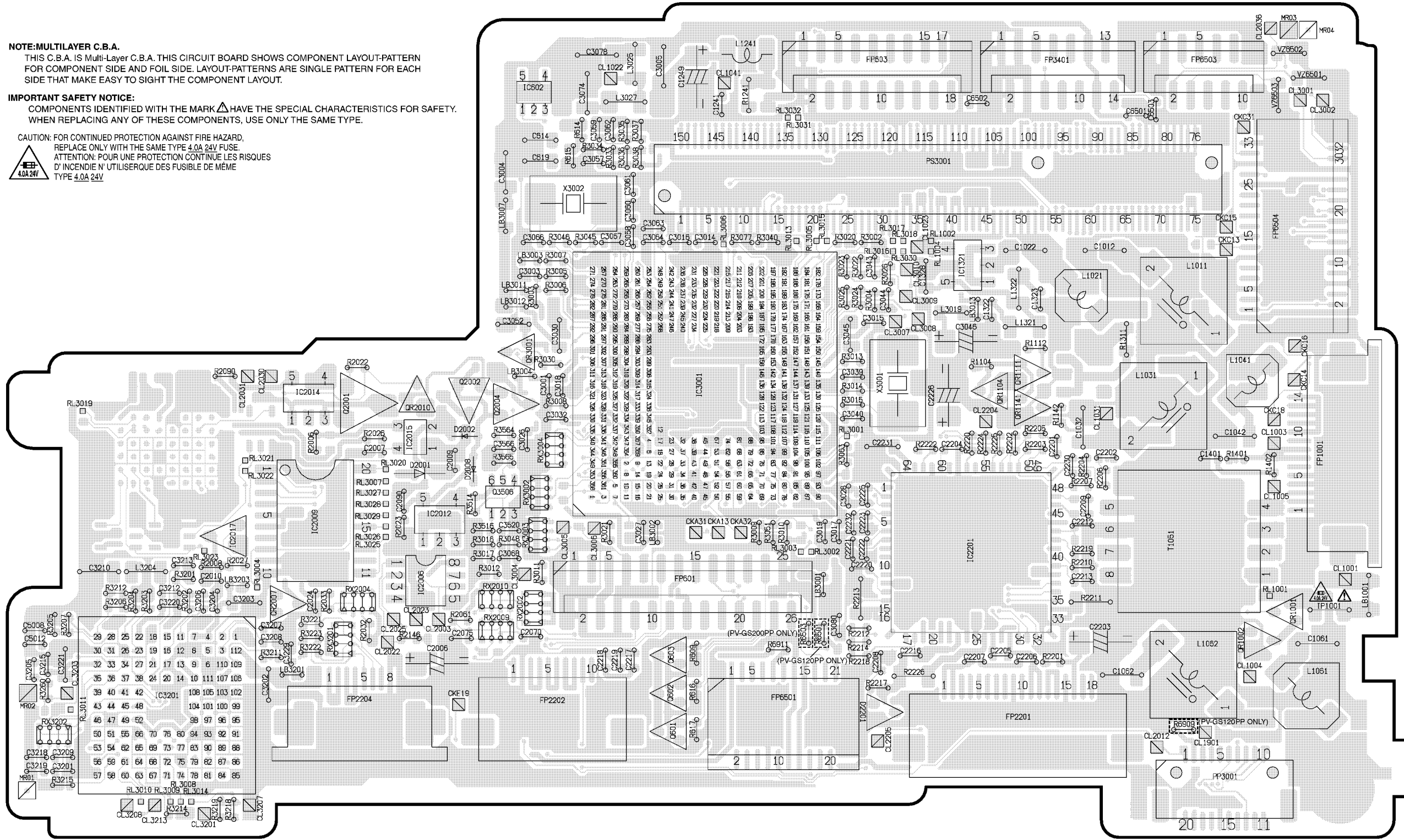
IMPORTANT SAFETY NOTICE:

COMPONENTS IDENTIFIED WITH THE MARK Δ HAVE THE SPECIAL CHARACTERISTICS FOR SAFETY. WHEN REPLACING ANY OF THESE COMPONENTS, USE ONLY THE SAME TYPE.

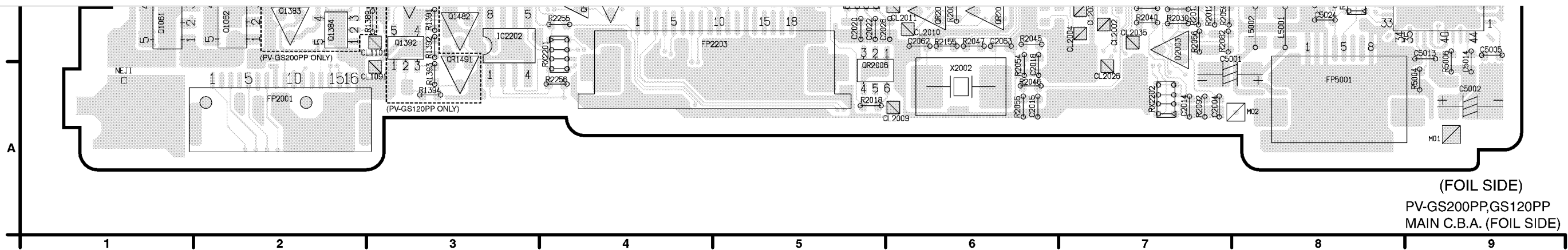
CAUTION: FOR CONTINUED PROTECTION AGAINST FIRE HAZARD, REPLACE ONLY WITH THE SAME TYPE 4.0A 24V FUSE.
ATTENTION: POUR UNE PROTECTION CONTINUE LES RISQUES D'INCENDIE N'UTILISER QUE DES FUSIBLES DE MÊME TYPE 4.0A 24V



F
E
D
C
B
A



(COMPONENT SIDE)
PV-GS200PP,GS120PP
MAIN C.B.A.(COMPONENT SIDE)



15 CHECKING POINT OF THE CSP IC

15.1. CHECKING POINT TABLE

Check Point of the IC303

CSP IC		Check Point	WF NO.	Remarks	CSP IC		Check Point	WF NO.	Remarks		
Pin	Name				Pin	Name					
1	VDD 18D1				61	B IN7	IC106-7	C-3	WF-39	SUB C.B.A. (C)	
2	ASTB	R316 (UPPER)	D-7	WF-1	SUB C.B.A. (C)	62	B IN8	IC106-8	C-3	WF-39	SUB C.B.A. (C)
3	DSTB WE	IC304-4	C-7	WF-128	SUB C.B.A. (C)	63	B IN9	IC106-9	C-3	WF-1	SUB C.B.A. (C)
4	NC				64	VDD RGB					
5	MAD B0				65	VSS					
6	MAD B1				66	VDD CAM					
7	MAD B2				67	VSS					
8	MAD B3				68	FCA	IC702-53	B-4	WF-140	SUB C.B.A. (F)	
9	MAD B4				69	FCB	IC702-54	B-4	WF-140	SUB C.B.A. (F)	
10	MAD B5	R305 (UPPER)	C-6	WF-103	SUB C.B.A. (C)	70	F2C	IC702-55	B-4	WF-140	SUB C.B.A. (F)
11	MAD B6				71	IRIS CLOSE	R743 (UPPER)	B-5	WF-1	SUB C.B.A. (F)	
12	MAD B7				72	IRIS OPEN	R742 (LOWER)	B-5	WF-1	SUB C.B.A. (F)	
13	MAD B8				73	PWM IRIS	R732 (LEFT)	B-6	WF-1	SUB C.B.A. (F)	
14	MAD B9				74	NC					
15	MAD B10				75	PWM LIN	R720 (RIGHT)	C-4	WF-159	SUB C.B.A. (F)	
16	MAD B11				76	PWM HZA	R721 (RIGHT)	C-4	WF-159	SUB C.B.A. (F)	
17	MAD B12				77	PWM HZB	R702 (LEFT)	C-3	WF-159	SUB C.B.A. (F)	
18	MAD B13				78	PWM ND	R759 (LOWER)	B-6	WF-1	SUB C.B.A. (F)	
19	MAD B14				79	NC					
20	MAD B15				80	ZA COM P					
21	BEND				81	ZB COM P					
22	VSS				82	ZC COM P					
23	VDD 18D2				83	ZD COM P					
24	VDD1				84	SIG	IC702-50	B-4	WF-1	SUB C.B.A. (F)	
25	MVD				85	CCD HD	IC101-16	D-5	WF-1	SUB C.B.A. (F)	
26	NC				86	THD	IC101-16	D-5	WF-1	SUB C.B.A. (F)	
27	POR	R315 (LEFT)	B-5	WF-1	SUB C.B.A. (C)	87	CCD SHD				
28	VDD CPU				88	TSVD					
29	VSS				89	TLHD					
30	VDD RGB				90	TVD	IC101-17	D-5	WF-1	SUB C.B.A. (F)	
31	VSS				91	YLVD	IC101-18	D-5	WF-1	SUB C.B.A. (F)	
32	R IN0	IC104-36	C-5	WF-207	SUB C.B.A. (C)	92	NC				
33	R IN1	IC104-1	C-5	WF-207	SUB C.B.A. (C)	93	FCK	R145 (LOWER)	C-5	WF-1	SUB C.B.A. (F)
34	R IN2	IC104-2	C-5	WF-207	SUB C.B.A. (C)	94	NC				
35	R IN3	IC104-3	C-5	WF-207	SUB C.B.A. (C)	95	F2 CK				
36	R IN4	IC104-4	C-5	WF-207	SUB C.B.A. (C)	96	NC				
37	R IN5	IC104-5	C-5	WF-207	SUB C.B.A. (C)	97	SEL ON				
38	R IN6	IC104-6	C-5	WF-207	SUB C.B.A. (C)	98	P DWON	R301 (RIGHT)	E-5	WF-1	SUB C.B.A. (C)
39	R IN7	IC104-7	C-5	WF-207	SUB C.B.A. (C)	99	CLK RST				
40	R IN8	IC104-8	C-5	WF-207	SUB C.B.A. (C)	100	MIN TEST				
41	R IN9	IC104-9	C-5	WF-39	SUB C.B.A. (C)	101	NC				
42	NC				102	VDD1					
43	G IN0	IC105-36	C-4	WF-207	SUB C.B.A. (C)	103	PC IN	R145 (UPPER)	C-5	WF-1	SUB C.B.A. (F)
44	G IN1	IC105-1	C-4	WF-207	SUB C.B.A. (C)	104	NC				
45	G IN2	IC105-2	C-4	WF-207	SUB C.B.A. (C)	105	VCO OUT				
46	G IN3	IC105-3	C-4	WF-207	SUB C.B.A. (C)	106	VCO HF				
47	G IN4	IC105-4	C-4	WF-207	SUB C.B.A. (C)	107	VDD CAM				
48	G IN5	IC105-5	C-4	WF-207	SUB C.B.A. (C)	108	VSS				
49	G IN6	IC105-6	C-4	WF-207	SUB C.B.A. (C)	109	PLL VDD				
50	G IN7	IC105-7	C-4	WF-93	SUB C.B.A. (C)	110	TOP OUT				
51	G IN8	IC105-8	C-4	WF-39	SUB C.B.A. (C)	111	PLL VSS				
52	G IN9	IC105-9	C-4	WF-39	SUB C.B.A. (C)	112	VDD VTR				
53	B IN0	IC106-36	C-3	WF-207	SUB C.B.A. (C)	113	VSS				
54	B IN1	IC106-1	C-3	WF-207	SUB C.B.A. (C)	114	DD FCK	R334 (LOWER)	E-5	WF-1	SUB C.B.A. (C)
55	B IN2	IC106-2	C-3	WF-207	SUB C.B.A. (C)	115	NC				
56	B IN3	IC106-3	C-3	WF-207	SUB C.B.A. (C)	116	NC				
57	VDD1				117	Y OUT0	RL3030	D-6	WF-1	MAIN C.B.A. (C)	
58	B IN4	IC106-4	C-3	WF-207	SUB C.B.A. (C)	118	Y OUT1				
59	B IN5	IC106-5	C-3	WF-127	SUB C.B.A. (C)	119	Y OUT2				
60	B IN6	IC106-6	C-3	WF-39	SUB C.B.A. (C)	120	Y OUT3				

(C): COMPONENT SIDE (F):FOIL SIDE

Check Point of the IC303

CSP IC		Check Point		WF NO.	Remarks	CSP IC		Check Point		WF NO.	Remarks
Pin	Name					Pin	Name				
121	Y OUT4	_____	---	---		181	TSTO11	_____	---	---	
122	Y OUT5	_____	---	---		182	TSTO12	_____	---	---	
123	VDD VTR	_____	---	---		183	TSTO13	_____	---	---	
124	VSS	_____	---	---		184	TSTO14	_____	---	---	
125	Y OUT6	_____	---	---		185	VDD VTR	_____	---	---	
126	Y OUT7	_____	---	---		186	VSS	_____	---	---	
127	C OUT0	RL3015	D-6	WF-1	MAIN C.B.A. (C)	187	NC	_____	---	---	
128	C OUT1	_____	---	---		188	TSTO15	_____	---	---	
129	C OUT2	_____	---	---		189	TSTO16	_____	---	---	
130	C OUT3	_____	---	---		190	TSTO17	_____	---	---	
131	VDD VTR	_____	---	---		191	TSTO18	_____	---	---	
132	VSS	_____	---	---		192	NC	_____	---	---	
133	VDD1	_____	---	---		193	VDD 18D5	_____	---	---	
134	C OUT4	_____	---	---		194	TSTO19	_____	---	---	
135	C OUT5	_____	---	---		195	TSTO20	_____	---	---	
136	C OUT6	_____	---	---		196	VDD VTR	_____	---	---	
137	C OUT7	_____	---	---		197	VSS	_____	---	---	
138	INH	RL3017	D-6	WF-1	MAIN C.B.A. (C)	198	TSTO21	_____	---	---	
139	INV	RL3018	D-6	WF-1	MAIN C.B.A. (C)	199	TSTO22	_____	---	---	
140	VDD VTR	_____	---	---		200	TSTO23	_____	---	---	
141	VSS	_____	---	---		201	TSTO24	_____	---	---	
142	VTR 45M	RL3016	D-6	WF-131	MAIN C.B.A. (C)	202	TSTO25	_____	---	---	
143	BUSY	_____	---	---		203	TSTO26	_____	---	---	
144	MEGA PIX	_____	---	---		204	VDD VTR	_____	---	---	
145	DSTBO	_____	---	---		205	VSS	_____	---	---	
146	BLK END	_____	---	---		206	TSTO27	_____	---	---	
147	NC	_____	---	---		207	TSTO28	_____	---	---	
148	SCAN ST	_____	---	---		208	TSTO29	_____	---	---	
149	TMS	CL312	E-6	WF-1	SUB C.B.A. (C)	209	TSTO30	_____	---	---	
150	TDI	CL306	E-6	WF-1	SUB C.B.A. (C)	210	TSTO31	_____	---	---	
151	TCK	CL311	E-6	WF-1	SUB C.B.A. (C)	211	TSTO32	_____	---	---	
152	TRST	R322 (LEFT)	E-6	WF-1	SUB C.B.A. (C)	212	VDD VTR	_____	---	---	
153	TDO	CL309	E-6	WF-1	SUB C.B.A. (C)	213	VSS	_____	---	---	
154	TST0	_____	---	---		214	TSTO33	_____	---	---	
155	TST1	_____	---	---		215	TSTO34	_____	---	---	
156	TST2	_____	---	---		216	TSTO35	_____	---	---	
157	VDD1	_____	---	---		217	TSTO36	_____	---	---	
158	VDD 18D3	_____	---	---		218	TSTO37	_____	---	---	
159	VSS	_____	---	---		219	VDD1	_____	---	---	
160	TST3	_____	---	---		220	VDD 18D6	_____	---	---	
161	TST4	_____	---	---		221	VSS	_____	---	---	
162	TST5	_____	---	---		222	TSTO38	_____	---	---	
163	TSTO0	_____	---	---		223	VDD VTR	_____	---	---	
164	TSTO1	_____	---	---		224	VSS	_____	---	---	
165	TSTO2	_____	---	---		225	TSTO39	_____	---	---	
166	VDD VTR	_____	---	---		226	TSTO40	_____	---	---	
167	VSS	_____	---	---		227	TSTO41	_____	---	---	
168	TSTO3	_____	---	---		228	TSTO42	_____	---	---	
169	TSTO4	_____	---	---		229	TSTO43	_____	---	---	
170	TSTO5	_____	---	---		230	TSTO44	_____	---	---	
171	VDD 33D	_____	---	---		231	VDD VTR	_____	---	---	
172	VSS	_____	---	---		232	VSS	_____	---	---	
173	VDD 18D	_____	---	---		233	TSTO45	_____	---	---	
174	TSTO6	_____	---	---		234	TSTO46	_____	---	---	
175	TSTO7	_____	---	---		235	TSTO47	_____	---	---	
176	TSTO8	_____	---	---		236	TSTO48	_____	---	---	
177	VDD VTR	_____	---	---		237	TSTO49	_____	---	---	
178	VSS	_____	---	---		238	TSTO50	_____	---	---	
179	TSTO9	_____	---	---		239	VDD 33D	_____	---	---	
180	TSTO10	_____	---	---		240	NC	_____	---	---	

(C): COMPONENT SIDE (F): FOIL SIDE

Check Point of the IC303

CSP IC		Check Point	WF NO.		Remarks
Pin	Name				
241	VDD 18D	————	—	—	
242	VSS	————	—	—	
243	TEST IN0	————	—	—	
244	TEST IN1	————	—	—	
245	TEST IN2	————	—	—	
246	TEST IN3	————	—	—	
247	TEST IN4	————	—	—	
248	VDD VTR	————	—	—	
249	VSS	————	—	—	
250	VDD CPU	————	—	—	
251	VSS	————	—	—	
252	V1 V2	————	—	—	
253	CE	R332 (LEFT)	C-7	WF-1	SUB C.B.A. (C)
254	RE	————	—	—	
255	RW	————	—	—	
256	NC	————	—	—	

(C): COMPONENT SIDE (F): FOIL SIDE

Check Point of the IC305

CSP IC		Check Point		WF NO.	Remarks	CSP IC		Check Point		WF NO.	Remarks
Pin	Name					Pin	Name				
1	VDD B	_____	---	---		61	MAD0	_____	---	---	
2	SENS SW	_____	---	---		62	NC	_____	---	---	
3	CAM SCLK	R339 (RIGHT)	A-5	WF-234	SUB C.B.A. (C)	63	FLMD1/MAD5	R305 (LOWER)	C-6	WF-1	SUB C.B.A. (C)
4	VSS	_____	---	---		64	MAD1	_____	---	---	
5	ND PWMB	R756 (UPPER)	B-6	WF-1	SUB C.B.A. (F)	65	MAD2	_____	---	---	
6	VDD	_____	---	---		66	MAD8	_____	---	---	
7	OSC OUT	_____	---	---		67	EVSS	_____	---	---	
8	AD VREF	_____	---	---		68	MAD4	_____	---	---	
9	NC	_____	---	---		69	MAD11	_____	---	---	
10	NC	_____	---	---		70	MAD3	_____	---	---	
11	C V DATA	_____	---	---		71	MAD7	_____	---	---	
12	V C DATA	R341 (UPPER)	A-5	WF-72	SUB C.B.A. (C)	72	MAD6	_____	---	---	
13	CAM RTN	R345 (RIGHT)	A-6	WF-1	SUB C.B.A. (C)	73	MAD14	_____	---	---	
14	OSC IN	IC301-5	C-5	WF-211	SUB C.B.A. (F)	74	FLMD0	R372 (LOWER)	C-6	WF-1	SUB C.B.A. (C)
15	VSS	_____	---	---		75	MAD9	_____	---	---	
16	RESET	C329 (LEFT)	A-6	WF-1	SUB C.B.A. (C)	76	EVDD	_____	---	---	
17	NC	R323 (LEFT)	A-6	WF-1	SUB C.B.A. (C)	77	MAD10	_____	---	---	
18	VSS BU	_____	---	---		78	MAD12	_____	---	---	
19	VDD BU	_____	---	---		79	MAD13	_____	---	---	
20	MF LED	QR301-B	A-6	WF-1	SUB C.B.A. (C)	80	MAD15	_____	---	---	
21	RTN FLD	R356 (RIGHT)	A-6	WF-180	SUB C.B.A. (C)	81	CAM0	R384 (LEFT)	C-6	WF-1	SUB C.B.A. (C)
22	OIS DA SCK	R352 (LEFT)	A-6	WF-149	SUB C.B.A. (C)	82	IND SDI	D303-A	C-6	WF-1	SUB C.B.A. (C)
23	NC	_____	---	---		83	IND SDO	D303-K	C-6	WF-1	SUB C.B.A. (C)
24	CAM SEND END	_____	---	---		84	INST ST	R382 (LOEWR)	C-5	WF-1	SUB C.B.A. (C)
25	CHA END	R338 (LEFT)	A-7	WF-1	SUB C.B.A. (C)	85	IND SCK	IC307-6	B-3	WF-1	SUB C.B.A. (C)
26	SHOE SDO	D304-K	A-7	WF-1	SUB C.B.A. (C)	86	MF RING2	R319 (UPPER)	B-5	WF-1	SUB C.B.A. (C)
27	OIS DA SDO	R367 (LEFT)	A-6	WF-140	SUB C.B.A. (C)	87	AFST	CL305	C-6	WF-1	SUB C.B.A. (C)
28	OIS DA LD	_____	---	---		88	VTR T	R379 (LOWER)	C-5	WF-1	SUB C.B.A. (C)
29	NC	_____	---	---		89	EVR SBI	R311 (LOWER)	C-5	WF-1	SUB C.B.A. (C)
30	FCP CNT	R731 (LOWER)	E-2	WF-1	SUB C.B.A. (F)	90	CAM T	R312 (LOWER)	C-5	WF-1	SUB C.B.A. (C)
31	MEGA REQUEST	R330 (UPPER)	B-7	WF-1	SUB C.B.A. (C)	91	EVR SBO	R368 (LOWER)	C-5	WF-1	SUB C.B.A. (C)
32	CG SO	IC101-9	D-5	WF-23	SUB C.B.A. (F)	92	MVD	_____	---	---	
33	CG CLK	R142 (LEFT)	C-7	WF-1	SUB C.B.A. (F)	93	TRIG END	IC7001-1	A-3	WF-1	SUB C.B.A. (F)
34	BST	R308 (UPPER)	B-7	WF-1	SUB C.B.A. (C)	94	EVR SCK	R310 (LOWER)	C-5	WF-1	SUB C.B.A. (C)
35	SHOE SDI	D304-A	A-7	WF-1	SUB C.B.A. (C)	95	FLS DLY	R378 (LOWER)	C-5	WF-170	SUB C.B.A. (C)
36	EVDD	_____	---	---		96	BEND	_____	---	---	
37	E2 CS	_____	---	---		97	NC	_____	---	---	
38	NC	_____	---	---		98	A COM P	R370 (UPPER)	B-5	WF-1	SUB C.B.A. (C)
39	RW SEL	_____	---	---		99	NC	_____	---	---	
40	SHOE SCK	_____	---	---		100	B COM P	R371 (UPPER)	B-5	WF-1	SUB C.B.A. (C)
41	EVSS	_____	---	---		101	V1 V2	R332 (RIGHT)	C-7	WF-1	SUB C.B.A. (C)
42	E2 RST	IC307-7	B-3	WF-1	SUB C.B.A. (C)	102	CHARGE	R7022 (LOWER)	B-3	WF-1	SUB C.B.A. (F)
43	LED CONT	QR302-B	B-7	WF-1	SUB C.B.A. (C)	103	GYRO X	_____	---	---	
44	E2 RB	IC307-3	B-7	WF-1	SUB C.B.A. (C)	104	MD OPEN	R775 (RIGHT)	B-3	WF-1	SUB C.B.A. (C)
45	LSTBY	IC702-26	B-4	WF-1	SUB C.B.A. (F)	105	MF RING1	_____	---	---	
46	CG CS	IC101-10	D-5	WF-149	SUB C.B.A. (F)	106	SHOE DET	R317 (UPPER)	B-5	WF-1	SUB C.B.A. (C)
47	ASP1 CS	IC104-33	C-5	WF-1	SUB C.B.A. (C)	107	NC	_____	---	---	
48	LEN CS	IC702-1	B-4	WF-149	SUB C.B.A. (F)	108	ZM B	_____	---	---	
49	MEMO END	R326 (LEFT)	A-6	WF-1	SUB C.B.A. (C)	109	ZM A	_____	---	---	
50	ASP2 CS	IC105-33	C-4	WF-22	SUB C.B.A. (C)	110	FM B	C322 (UPPER)	B-5	WF-1	SUB C.B.A. (C)
51	ASP3 CS	IC106-33	C-3	WF-227	SUB C.B.A. (C)	111	FM A	C321 (UPPER)	B-5	WF-1	SUB C.B.A. (C)
52	SS DET	R360 (UPPER)	C-7	WF-1	SUB C.B.A. (C)	112	X POS	_____	---	---	
53	SHOE ON (H)	_____	---	---		113	Y POS	_____	---	---	
54	F OPEN	R303 (LOWER)	C-7	WF-1	SUB C.B.A. (C)	114	ND FNO	C320 (RIGHT)	B-5	WF-1	SUB C.B.A. (C)
55	RE (H)	_____	---	---		115	FNO	C312 (LOWER)	B-5	WF-1	SUB C.B.A. (C)
56	WE (L)	R336 (LOWER)	C-6	WF-203	SUB C.B.A. (C)	116	MREF	IC702-5	B-4	WF-1	SUB C.B.A. (F)
57	FUP (H)	_____	---	---		117	GYRO Y	_____	---	---	
58	DAS	R316 (LOWER)	D-7	WF-203	SUB C.B.A. (C)	118	ZAD	R347 (RIGHT)	A-5	WF-1	SUB C.B.A. (C)
59	WINK END	_____	---	---		119	AD VREF	_____	---	---	
60	Z ABS	R335 (LOWER)	C-7	WF-1	SUB C.B.A. (C)	120	IR	C317 (LOWER)	B-5	WF-1	SUB C.B.A. (C)

(C): COMPONENT SIDE (F):FOIL SIDE

Check Point of the IC2001

CSP IC		Check Point	WF NO.	Remarks	CSP IC		Check Point	WF NO.	Remarks	
Pin	Name				Pin	Name				
1	NC	-----	---	---	61	EVF HL	R2043 (LEFT)	C-8	WF-1	MAIN C.B.A. (F)
2	AVCC31	-----	---	---	62	INPUT SEL	IC3503-2	D-5	WF-1	MAIN C.B.A. (F)
3	AVSS	-----	---	---	63	SHM BOOT REQ	R3420 (UPPER)	C-9	WF-1	SUB C.B.A. (C)
4	DVCC2	-----	---	---	64	CAM SEND END	-----	---	---	
5	ENDIAN	-----	---	---	65	NC	-----	---	---	
6	BOOT	R2140 (LOWER)	C-8	WF-1	66	NC	-----	---	---	
7	PCTS3	-----	---	---	67	MEMO END	R326 (RIGHT)	A-6	WF-1	SUB C.B.A. (C)
8	PCTS0	-----	---	---	68	HOST REQ	IC2019-7	C-6	WF-1	MAIN C.B.A. (F)
9	INTLV	R2141 (LOWER)	C-8	WF-1	69	EVF ON (H)	R1423 (RIGHT)	E-2	WF-1	MAIN C.B.A. (F)
10	SDI DINT	-----	---	---	70	DVCC32	-----	---	---	
11	PCTS2	-----	---	---	71	NC	-----	---	---	
12	SDAO TPC	-----	---	---	72	NC	-----	---	---	
13	BW0	-----	---	---	73	HOST ACK	R2072 (LOWER)	C-7	WF-1	MAIN C.B.A. (F)
14	/DBGE	-----	---	---	74	NC	-----	---	---	
15	DCLK	-----	---	---	75	VTR T	R380 (UPPER)	C-5	WF-1	SUB C.B.A. (C)
16	USB INT	-----	---	---	76	LCD CS	IC901-40	D-6	WF-1	MONITOR C.B.A. (F)
17	PCTS1	-----	---	---	77	NC	-----	---	---	
18	SYSRDY	-----	---	---	78	NC	-----	---	---	
19	DVSS	-----	---	---	79	S PHOTO SW2	R2112 (LOWER)	C-7	WF-1	MAIN C.B.A. (F)
20	TEST1	-----	---	---	80	T PHOTO SW1	R2109 (LOWER)	C-7	WF-1	MAIN C.B.A. (F)
21	BUSMD	R2074 (LEFT)	B-8	WF-1	81	MIC CLK	RX2004-4	B-3	WF-1	MAIN C.B.A. (C)
22	/DRESET	-----	---	---	82	MIC DATA	RX2004-6	B-3	WF-1	MAIN C.B.A. (C)
23	TEST5	-----	---	---	83	DVSS	-----	---	---	
24	RESET	C2064 (LOWER)	B-8	WF-1	84	REMOCON	R2017 (LEFT)	D-7	WF-131	MAIN C.B.A. (F)
25	PLLON	-----	---	---	85	S PHOTO SW1	R2111 (LOWER)	C-7	WF-1	MAIN C.B.A. (F)
26	FVCC2	-----	---	---	86	PS (L)	IC1001-9	C-3	WF-1	MAIN C.B.A. (F)
27	FVSS	-----	---	---	87	T PHOTO SW2	R2110 (LOWER)	C-7	WF-1	MAIN C.B.A. (F)
28	NM1	-----	---	---	88	CAM D3 OFF	R301 (LEFT)	E-5	WF-1	SUB C.B.A. (C)
29	BW1	-----	---	---	89	SS DET	R360 (LOWER)	C-7	WF-1	SUB C.B.A. (C)
30	DVCC2	-----	---	---	90	QUICKST	R381 (UPPER)	C-5	WF-1	SUB C.B.A. (C)
31	DVCC31	-----	---	---	91	CAMO	R383 (RIGHT)	C-6	WF-1	SUB C.B.A. (C)
32	NC	-----	---	---	92	NC	-----	---	---	
33	SBA SIF CLK	IC3301-15	E-4	WF-1	93	LCD EVF SCK	IC901-41	D-6	WF-163	MONITOR C.B.A. (F)
34	PHOTO2	R2038 (RIGHT)	C-8	WF-1	94	ERF CLK	CL2025	B-3	WF-163	MAIN C.B.A. (C)
35	NC	-----	---	---	95	ERF DO	R2080 (UPPER)	C-7	WF-164	MAIN C.B.A. (F)
36	SBA CS	IC-3301-14	E-4	WF-217	96	ERF DI	R2080 (LOWER)	C-7	WF-165	MAIN C.B.A. (F)
37	VTR TEST (L)	R2036 (LEFT)	C-8	WF-1	97	CAM RST	R2093 (LEFT)	D-7	WF-1	MAIN C.B.A. (F)
38	SBA SIF DTI	R2177 (RIGHT)	C-8	WF-1	98	LCD EVF DI	R2096 (LEFT)	C-7	WF-164	MAIN C.B.A. (F)
39	RPLUG (L)	R2083 (LEFT)	B-8	WF-1	99	SH COM CLK	CL3425	F-3	WF-163	SUB C.B.A. (F)
40	SBA SIF DTO	R2177 (LEFT)	C-8	WF-1	100	DVCC2	-----	---	---	
41	EXT 5V SW	QR3502-B	C-6	WF-1	101	DVCC32	-----	---	---	
42	S PLUG	R2084 (LOWER)	C-8	WF-1	102	LCD EVF DO	R2096 (RIGHT)	C-7	WF-164	MAIN C.B.A. (F)
43	DOOR OPEN	R2048 (LEFT)	C-8	WF-1	103	PC RST	C2047 (LEFT)	C-7	WF-1	MAIN C.B.A. (F)
44	SYNC DET	RX2006-5	D-8	WF-1	104	SH COM DI	CL3421	F-3	WF-165	SUB C.B.A. (F)
45	FVCC3	-----	---	---	105	232C RXD	R2089 (UPPER)	D-7	WF-1	MAIN C.B.A. (F)
46	FVSS	-----	---	---	106	232C TXD	CL2026	A-7	WF-1	MAIN C.B.A. (F)
47	DVSS	-----	---	---	107	SH COM DO	CL3422	E-2	WF-164	SUB C.B.A. (F)
48	LCD RVS SW	R2019 (LOWER)	C-8	WF-1	108	CPU VCC SW	QR2010-B	C-3	WF-1	MAIN C.B.A. (C)
49	SIF P SAVE	-----	---	---	109	V C DATA	R341 (LOWER)	A-5	WF-72	SUB C.B.A. (C)
50	BRIGHT ON	R2049 (LEFT)	C-8	WF-1	110	WINK END	-----	---	---	
51	LCD OPEN SW	R2158 (LOWER)	C-8	WF-1	111	C V DATA	-----	---	---	
52	AV PLUG	R2085 (LOWER)	C-8	WF-1	112	MIC ON	R2133 (UPPER)	C-5	WF-1	MAIN C.B.A. (F)
53	USB DET	QR2003-C	D-8	WF-1	113	REC REV	R2058 (RIGHT)	C-6	WF-1	MAIN C.B.A. (F)
54	BL BRIGHT (H)	QR913-B	B-8	WF-1	114	RTC CS	IC2601-5	A-2	WF-131	SIDE L C.B.A. (F)
55	ARB	-----	---	---	115	SNS LED	Q2003-B	C-7	WF-161	MAIN C.B.A. (F)
56	SIF CS	-----	---	---	116	CAM SCK	R306 (LEFT)	A-5	WF-234	SUB C.B.A. (C)
57	USB DPBIAS	QR2004-B	D-8	WF-1	117	DVSS	-----	---	---	
58	XRST	R2097 (LEFT)	C-8	WF-1	118	OSD SCK	IC2009-1	C-3	WF-1	MAIN C.B.A. (C)
59	NC	-----	---	---	119	OSD DO	IC2009-3	C-3	WF-1	MAIN C.B.A. (C)
60	SH COM TRG	CL3424	F-3	WF-1	120	SH SLEEP	CL3423	F-4	WF-1	SUB C.B.A. (F)

(C): COMPONENT SIDE (F):FOIL SIDE

Check Point of the IC2001

CSP IC		Check Point		WF NO.	Remarks	CSP IC		Check Point		WF NO.	Remarks
Pin	Name					Pin	Name				
121	S/S SW	R2087 (RIGHT)	D-7	WF-1	MAIN C.B.A. (F)	181	DVSS	—	—	—	
122	POWER ON	QR2008-B	B-4	WF-1	MAIN C.B.A. (F)	182	XDUO CS	—	—	—	
123	CAM RTN	R344 (LEFT)	A-6	WF-1	MAIN C.B.A. (C)	183	XWEH	RL3021	C-2	WF-1	MAIN C.B.A. (C)
124	RTN FLD	R353 (LEFT)	A-6	WF-1	MAIN C.B.A. (C)	184	XREADY	RL3024	B-6	WF-1	MAIN C.B.A. (F)
125	MEGA REQ	R331 (UPPER)	B-7	WF-1	MAIN C.B.A. (C)	185	XRE	RL3023	C-2	WF-1	MAIN C.B.A. (C)
126	RST PUP	—	—	—	—	186	FVSS	—	—	—	
127	E2 PROTECT	IC2006-6	B-3	WF-1	MAIN C.B.A. (C)	187	FVCC2	—	—	—	
128	FLASH WP	CL2031	D-2	WF-1	MAIN C.B.A. (C)	188	D14	—	—	—	
129	DVCC32	—	—	—	—	189	NC	—	—	—	
130	A3	RX3003-4	C-4	WF-1	MAIN C.B.A. (C)	190	CCD STBY	QR102-B	C-8	WF-1	SUB C.B.A. (F)
131	NC	—	—	—	—	191	CCD ON (H)	CL1053	C-3	WF-1	MAIN C.B.A. (F)
132	A8	RX3004-2	C-4	WF-1	MAIN C.B.A. (C)	192	LCD ON (H)	CL1084	B-3	WF-1	MAIN C.B.A. (F)
133	A7	RX3004-4	C-4	WF-1	MAIN C.B.A. (C)	193	XWEL	RL3022	C-2	WF-1	MAIN C.B.A. (C)
134	A0	—	—	—	—	194	TEST2	—	—	—	
135	A2	RX3003-2	C-4	WF-1	MAIN C.B.A. (C)	195	DVCC33	—	—	—	
136	A12	RX3002-8	C-4	WF-1	MAIN C.B.A. (C)	196	DVCC2	—	—	—	
137	A11	RX3002-6	C-4	WF-1	MAIN C.B.A. (C)	197	NC	—	—	—	
138	A6	RX3004-6	C-4	WF-1	MAIN C.B.A. (C)	198	XRAM CS	—	—	—	
139	A15	R3012 (RIGHT)	B-4	WF-1	MAIN C.B.A. (C)	199	NC	—	—	—	
140	A10	RX3002-4	C-4	WF-1	MAIN C.B.A. (C)	200	XTI	—	—	—	
141	DVSS	—	—	—	—	201	CVCCH	—	—	—	
142	A14	R3016 (RIGHT)	C-4	WF-1	MAIN C.B.A. (C)	202	CAP1	—	—	—	
143	A5	RX3004-8	C-4	WF-1	MAIN C.B.A. (C)	203	CAP2	—	—	—	
144	DVCC33	—	—	—	—	204	XT2	—	—	—	
145	A1	RX36003-8	C-4	WF-1	MAIN C.B.A. (C)	205	JTAG	R2028 (RIGHT)	B-6	WF-1	MAIN C.B.A. (F)
146	MODE14	R2015 (UPPER)	C-6	WF-1	MAIN C.B.A. (F)	206	JTAG	CL2007	B-7	WF-1	MAIN C.B.A. (F)
147	A13	R3017 (RIGHT)	C-4	WF-1	MAIN C.B.A. (C)	207	TMS	CL2002	B-7	WF-1	MAIN C.B.A. (F)
148	A16	—	—	—	—	208	TRST	—	—	—	
149	A4	RX3003-6	C-4	WF-1	MAIN C.B.A. (C)	209	TCK	CL2004	B-7	WF-1	MAIN C.B.A. (F)
150	A9	RX3002-2	C-4	WF-1	MAIN C.B.A. (C)	210	DVCC34	—	—	—	
151	A17	—	—	—	—	211	CVCC2	—	—	—	
152	PHOTO SW	R2091 (RIGHT)	C-6	WF-1	MAIN C.B.A. (F)	212	X1	R2155 (LEFT)	B-6	WF-143	MAIN C.B.A. (F)
153	TEST4	—	—	—	—	213	CVSS	—	—	—	
154	D2	—	—	—	—	214	X2	R2155 (RIGHT)	B-6	WF-143	MAIN C.B.A. (F)
155	STANDBY SW	R2020 (LOWER)	C-6	WF-1	MAIN C.B.A. (F)	215	NC	—	—	—	
156	CARD DET	R2025 (RIGHT)	C-6	WF-1	MAIN C.B.A. (F)	216	CASS DOWN	RX2009-1	B-4	WF-1	MAIN C.B.A. (C)
157	SD PROTECT	R2024 (RIGHT)	C-6	WF-1	MAIN C.B.A. (F)	217	LCD BL	R1415 (RIGHT)	D-3	WF-1	MAIN C.B.A. (F)
158	TEST3	—	—	—	—	218	SHMF INT	QR2001-C	B-6	WF-1	MAIN C.B.A. (F)
159	D0	RL3019	C-1	WF-1	MAIN C.B.A. (C)	219	NC	—	—	—	
160	DVSS	—	—	—	—	220	DUO INT3	IC2019-5	C-6	WF-1	MAIN C.B.A. (F)
161	NC	—	—	—	—	221	DUO INT2	IC2018-2	B-6	WF-1	MAIN C.B.A. (F)
162	D1	—	—	—	—	222	DUO INT1	IC2018-7	B-6	WF-1	MAIN C.B.A. (F)
163	D6	—	—	—	—	223	DVSS	—	—	—	
164	D3	—	—	—	—	224	HP DET (L)	IC3301-64	E-4	WF-1	MAIN C.B.A. (F)
165	D5	—	—	—	—	225	TIMER INT	RX2010-8	B-4	WF-1	MAIN C.B.A. (C)
166	D4	—	—	—	—	226	NC	—	—	—	
167	FVSS	—	—	—	—	227	DUO INTO	IC2018-5	B-6	WF-1	MAIN C.B.A. (F)
168	FVCC2	—	—	—	—	228	EXT (H)	R3302 (LOWER)	D-4	WF-1	MAIN C.B.A. (F)
169	D9	—	—	—	—	229	CR POWER	C2070 (LEFT)	B-4	WF-1	MAIN C.B.A. (C)
170	TEST0	—	—	—	—	230	NC	—	—	—	
171	D8	—	—	—	—	231	EJECT SW	RX2009-3	B-4	WF-1	MAIN C.B.A. (C)
172	D7	—	—	—	—	232	NC	—	—	—	
173	D10	—	—	—	—	233	ACCESS LED	QR2002-B	B-6	WF-1	MAIN C.B.A. (F)
174	D13	—	—	—	—	234	OSD CS	IC2009-2	C-3	WF-1	MAIN C.B.A. (C)
175	D11	—	—	—	—	235	POWER SW	RX2009-7	B-4	WF-1	MAIN C.B.A. (C)
176	D12	—	—	—	—	236	OSD RST	IC2009-4	C-3	WF-1	MAIN C.B.A. (C)
177	DVCC33	—	—	—	—	237	NC	—	—	—	
178	EVF BL	QR1411-2	E-2	WF-1	MAIN C.B.A. (F)	238	SH RST	CL3403	E-3	WF-1	SUB C.B.A. (F)
179	D15	—	—	—	—	239	EEP CS	CL2022	B-3	WF-160	MAIN C.B.A. (C)
180	SHMF IMD	—	—	—	—	240	DVCC34	—	—	—	

(C): COMPONENT SIDE (F): FOIL SIDE

Check Point of the IC2001

CSP IC		Check Point	WF NO.	Remarks	
Pin	Name				
241	FLASH CE	CL2030	D-2	WF-1	MAIN C.B.A. (C)
242	SH WAKEUP	QR3401-B	E-8	WF-1	SUB C.B.A. (C)
243	NC	————	—	—	
244	NC	————	—	—	
245	NC	————	—	—	
246	STNDBY LED	QR2006-2	A-5	WF-1	MAIN C.B.A. (F)
247	POWER LED	QR2005-B	B-6	WF-1	MAIN C.B.A. (F)
248	TALLY LED	QR2006-5	A-5	WF-1	MAIN C.B.A. (F)
249	NC	————	—	—	
250	DVSS	————	—	—	
251	NC	————	—	—	
252	DVCC2	————	—	—	
253	AVSS	————	—	—	
254	LOAD LOCK DET	C2208 (LOWER)	B-6	WF-1	MAIN C.B.A. (C)
255	AVCC32	————	—	—	
256	T PHOTO	C2015 (UPPER)	A-6	WF-1	MAIN C.B.A. (F)
257	BATT D	CL1005	C-8	WF-1	MAIN C.B.A. (C)
258	S PHOTO	C2018 (UPPER)	A-6	WF-1	MAIN C.B.A. (F)
259	MIC AD1	RX2004-2	B-3	WF-1	MAIN C.B.A. (C)
260	MIC AD2	RX2004-4	B-3	WF-1	MAIN C.B.A. (C)
261	MIC AD3	RX2004-6	B-3	WF-1	MAIN C.B.A. (C)
262	AVSS	————	—	—	
263	VCR KEY1	C2022 (UPPER)	B-5	WF-1	MAIN C.B.A. (F)
264	CAM KEY1	C2020 (UPPER)	B-5	WF-1	MAIN C.B.A. (F)
265	NC	————	—	—	
266	BLC	R2051 (RIGHT)	B-7	WF-1	MAIN C.B.A. (F)
267	REG D3V DET	RX2004-8	B-3	WF-1	MAIN C.B.A. (C)
268	BATT REF	CL1101	B-3	WF-1	MAIN C.B.A. (F)
269	VCR KEY3	C2026 (UPPER)	B-6	WF-1	MAIN C.B.A. (F)
270	BATTERY	C2017 (LEFT)	B-8	WF-1	MAIN C.B.A. (F)
271	VCR KEY5	C2023 (LEFT)	B-8	WF-1	MAIN C.B.A. (F)
272	VCR KEY2	C2014 (UPPER)	A-7	WF-1	MAIN C.B.A. (F)
273	EXT MIC	R2052 (RIGHT)	B-7	WF-1	MAIN C.B.A. (F)
274	Y LEVEL	————	—	—	
275	NC	R2092 (UPPER)	A-7	WF-1	MAIN C.B.A. (F)
276	DEW	R2059 (LOWER)	B-7	WF-1	MAIN C.B.A. (F)
277	AMP DET	C2070 (LEFT)	B-4	WF-1	MAIN C.B.A. (C)
278	UNI REMO	C2025 (LEFT)	B-8	WF-1	MAIN C.B.A. (F)
279	WIDE DET	Q3506-1	C-4	WF-1	MAIN C.B.A. (C)
280	VREFL	————	—	—	
281	VREFH	————	—	—	

(C): COMPONENT SIDE (F):FOIL SIDE

Check Point of the IC3001

CSP IC		Check Point		WF NO.	Remarks	CSP IC		Check Point		WF NO.	Remarks
Pin	Name					Pin	Name				
1	TMS	R3071 (RIGHT)	B-4	WF-1	MAIN C.B.A. (F)	61	ADIN (0)	---	---	---	
2	TCK	R3072 (LOWER)	B-3	WF-1	MAIN C.B.A. (F)	62	VDD18 30	---	---	---	
3	TDI	R2028 (LEFT)	B-6	WF-1	MAIN C.B.A. (F)	63	FCA	---	---	---	
4	VDD18	---	---	---		64	FCB	---	---	---	
5	TDO	---	---	---		65	F2C	---	---	---	
6	VDD18	---	---	---		66	ZACOMP	---	---	---	
7	XDUO CS	---	---	---		67	VSS	---	---	---	
8	ADM (15)	---	---	---		68	VDD15	---	---	---	
9	ADM (14)	---	---	---		69	ZBCOMP	---	---	---	
10	ADM (13)	---	---	---		70	ZCCOMP	RL3015	D-6	WF-1	MAIN C.B.A. (C)
11	ADM (12)	---	---	---		71	ZDCOMP	---	---	---	
12	VSS	---	---	---		72	SIG	---	---	---	
13	ADM (11)	---	---	---		73	ALC PWM	---	---	---	
14	ADM (10)	---	---	---		74	VDD18 30	---	---	---	
15	ADM (9)	---	---	---		75	IRIS CLOSE	---	---	---	
16	ADM (8)	---	---	---		76	IRIS OPEN	---	---	---	
17	VSS	---	---	---		77	HOST REQ	IC2019-1	C-6	WF-1	MAIN C.B.A. (F)
18	VDD15	---	---	---		78	HOST ACK	R2072 (UPPER)	C-7	WF-1	MAIN C.B.A. (F)
19	ADM (7)	---	---	---		79	VDD18 30	---	---	---	
20	ADM (6)	---	---	---		80	DUO INT3	IC2019-3	C-6	WF-1	MAIN C.B.A. (F)
21	ADM (5)	---	---	---		81	VSS	---	---	---	
22	ADM (4)	---	---	---		82	DUO INT2	IC2018-6	B-6	WF-1	MAIN C.B.A. (F)
23	VSS	---	---	---		83	DUO INT1	IC2018-1	B-6	WF-1	MAIN C.B.A. (F)
24	ADM (3)	---	---	---		84	DUO INT0	IC2018-3	B-6	WF-1	MAIN C.B.A. (F)
25	ADM (2)	---	---	---		85	VSS	---	---	---	
26	ADM (1)	---	---	---		86	VDD15	---	---	---	
27	VDD18	---	---	---		87	VSS	---	---	---	
28	ADM (0)	RL3019	C-1	WF-1	MAIN C.B.A. (C)	88	VSS	---	---	---	
29	ALE	---	---	---		89	VDD18 30	---	---	---	
30	XWEH	RL3021	C-2	WF-1	MAIN C.B.A. (C)	90	VDD18 30	---	---	---	
31	XWEL	RL3022	C-2	WF-1	MAIN C.B.A. (C)	91	SD VDD15	---	---	---	
32	VDD18	---	---	---		92	SD VDD15	---	---	---	
33	XRE	RL3023	C-2	WF-1	MAIN C.B.A. (C)	93	SD VSS	---	---	---	
34	XREADY	RL3024	B-6	WF-1	MAIN C.B.A. (F)	94	SD VSS	---	---	---	
35	XRST ARM	CL3004	B-4	WF-1	MAIN C.B.A. (C)	95	SD VDD25	---	---	---	
36	VDD15	---	---	---		96	VDD18	---	---	---	
37	VSS	---	---	---		97	SCLK541	---	---	---	
38	VCO AVDD25	---	---	---		98	VDD18	---	---	---	
39	VCO AVDD25	---	---	---		99	CLKSEL2	---	---	---	
40	FSLPFI	C3068 (RIGHT)	C-4	WF-1	MAIN C.B.A. (C)	100	CLK27B	---	---	---	
41	VCO AVSS	---	---	---		101	CLKSEL0	---	---	---	
42	VCO AVSS	---	---	---		102	CLK27A	R3063 (UPPER)	C-6	WF-183	MAIN C.B.A. (C)
43	PLL AVDD25	---	---	---		103	CLKSEL1	---	---	---	
44	PLL AVDD25	---	---	---		104	CLK135	RL3003	C-6	WF-183	MAIN C.B.A. (C)
45	PLL AVSS	---	---	---		105	SD VDD25	---	---	---	
46	PLL AVSS	---	---	---		106	SD VSS	---	---	---	
47	VSS	---	---	---		107	SD VDD15	---	---	---	
48	FCK45	RL3016	D-6	WF-131	MAIN C.B.A. (C)	108	VSS	---	---	---	
49	CAM HD	RL3017	D-6	WF-1	MAIN C.B.A. (C)	109	VDD15	---	---	---	
50	CAM VD	RL3018	D-6	WF-1	MAIN C.B.A. (C)	110	TESTMD (0)	R3051 (UPPER)	C-5	WF-1	MAIN C.B.A. (C)
51	ADIN (9)	---	---	---		111	TESTMD (1)	---	---	---	
52	ADIN (8)	---	---	---		112	TESTMD (2)	---	---	---	
53	VDD18 30	---	---	---		113	SD VDD15	---	---	---	
54	ADIN (7)	---	---	---		114	SD VSS	---	---	---	
55	ADIN (6)	---	---	---		115	SD VDD25	---	---	---	
56	ADIN (5)	---	---	---		116	TESTMD (3)	---	---	---	
57	ADIN (4)	---	---	---		117	TESTMD (4)	---	---	---	
58	ADIN (3)	---	---	---		118	TESTMD (5)	R3009 (UPPER)	C-5	WF-1	MAIN C.B.A. (C)
59	ADIN (2)	RL3030	D-6	WF-1	MAIN C.B.A. (C)	119	VSS	---	---	---	
60	ADIN (1)	---	---	---		120	VDD18	---	---	---	

(C): COMPONENT SIDE (F):FOIL SIDE

Check Point of the IC3001

GSP IC		Check Point		WF NO.	Remarks	GSP IC		Check Point		WF NO.	Remarks
Pin	Name					Pin	Name				
121	NC	-----	---	---		181	DO MCK	RX3005-6	F-5	WF-186	MAIN C.B.A. (F)
122	VDD18	-----	---	---		182	DO BCK	RX3005-8	F-5	WF-187	MAIN C.B.A. (F)
123	S400	-----	---	---		183	AI DAT1	IC3301-6	E-4	WF-1	MAIN C.B.A. (F)
124	BIAS2K	-----	---	---		184	AI DAT2	-----	---	---	
125	VSS	-----	---	---		185	VSS	-----	---	---	
126	CLK24I	C3040 (LEFT)	C-6	WF-132	MAIN C.B.A. (C)	186	ADEC DAT	RL3005	D-6	WF-1	MAIN C.B.A. (C)
127	VDD25	-----	---	---		187	VSS	-----	---	---	
128	NC	-----	---	---		188	CLK27C	IC601-59	E-5	WF-122	MAIN C.B.A. (F)
129	NC	-----	---	---		189	LYC IO0	RL3012	E-5	WF-210	MAIN C.B.A. (F)
130	CLK24O	C3039 (LEFT)	D-6	WF-132	MAIN C.B.A. (C)	190	LYC IO1	IC601-57	E-5	WF-210	MAIN C.B.A. (F)
131	SD VDD25	-----	---	---		191	LYC IO2	IC601-55	E-5	WF-210	MAIN C.B.A. (F)
132	SD VSS	-----	---	---		192	LYC IO3	IC601-54	E-5	WF-210	MAIN C.B.A. (F)
133	SD VDD15	-----	---	---		193	VDD15	-----	---	---	
134	VDD15	-----	---	---		194	LYC IO4	IC601-53	E-5	WF-210	MAIN C.B.A. (F)
135	1394 AVSS	-----	---	---		195	LYC IO5	IC601-52	E-5	WF-210	MAIN C.B.A. (F)
136	1394 AVDD15	-----	---	---		196	LYC IO6	IC601-51	E-5	WF-210	MAIN C.B.A. (F)
137	1394 AVSS	-----	---	---		197	LYC IO7	IC601-50	E-5	WF-210	MAIN C.B.A. (F)
138	R (1)	R3013 (RIGHT)	D-6	WF-1	MAIN C.B.A. (C)	198	VDD18	-----	---	---	
139	NC	-----	---	---		199	FRP	RL3032	E-5	WF-147	MAIN C.B.A. (C)
140	R (0)	R3013 (LEFT)	D-6	WF-1	MAIN C.B.A. (C)	200	INF	R3040 (LEFT)	D-5	WF-1	MAIN C.B.A. (C)
141	1394 AVDD30	-----	---	---		201	SHMF INT	R3077 (LEFT)	D-5	WF-1	MAIN C.B.A. (C)
142	NC	-----	---	---		202	SHMF IRD	-----	---	---	
143	1394 AVSS	-----	---	---		203	VDD8	-----	---	---	
144	1394 AVSS	-----	---	---		204	VSS	-----	---	---	
145	TPBN	CL3007	D-6	WF-1	MAIN C.B.A. (C)	205	SHMF IWR	-----	---	---	
146	NC	-----	---	---		206	SHMF IRS	-----	---	---	
147	NC	-----	---	---		207	SHMF ICS	-----	---	---	
148	TPBP	CL3008	D-6	WF-1	MAIN C.B.A. (C)	208	SHMF ID0	-----	---	---	
149	NC	-----	---	---		209	SHMF ID1	-----	---	---	
150	TPAN	CL3009	D-6	WF-1	MAIN C.B.A. (C)	210	SHMF ID2	-----	---	---	
151	TPAP	CL3010	D-6	WF-1	MAIN C.B.A. (C)	211	SHMF ID3	-----	---	---	
152	TPBIAS	C3043 (UPPER)	D-6	WF-1	MAIN C.B.A. (C)	212	SHMF ID4	-----	---	---	
153	1394 AVDD30	-----	---	---		213	SHMF ID5	-----	---	---	
154	1394 AVDD15	-----	---	---		214	SHMF ID6	-----	---	---	
155	VDD15	-----	---	---		215	SHMF ID7	-----	---	---	
156	XRST	R3021 (LOWER)	C-4	WF-1	MAIN C.B.A. (C)	216	CLK27D	RL3008	A-2	WF-122	MAIN C.B.A. (C)
157	SSP	RL3031	E-6	WF-1	MAIN C.B.A. (C)	217	YC IO (0)	-----	---	---	
158	VDD18	-----	---	---		218	YC IO (1)	-----	---	---	
159	HID	R3212 (LEFT)	B-1	WF-140	MAIN C.B.A. (C)	219	YC IO (2)	-----	---	---	
160	VDD18	-----	---	---		220	YC IO (3)	-----	---	---	
161	DBR3	-----	---	---		221	VSS	-----	---	---	
162	DBR2	-----	---	---		222	YC IO (4)	-----	---	---	
163	DBR1	-----	---	---		223	YC IO (5)	-----	---	---	
164	DBR0	RL3014	A-2	WF-1	MAIN C.B.A. (C)	224	YC IO (6)	-----	---	---	
165	VSS	-----	---	---		225	YC IO (7)	-----	---	---	
166	ACKR	-----	---	---		226	CLK 27X	-----	---	---	
167	REQR	R3020 (LEFT)	D-6	WF-1	MAIN C.B.A. (C)	227	YC IN (0)	-----	---	---	
168	ADDA (3)	-----	---	---		228	YC IN (1)	-----	---	---	
169	ADDA (2)	-----	---	---		229	YC IN (2)	-----	---	---	
170	VSS	-----	---	---		230	YC IN (3)	-----	---	---	
171	ADDA (1)	-----	---	---		231	YC IN (4)	-----	---	---	
172	VDD15	-----	---	---		232	YC IN (5)	-----	---	---	
173	ADDA (0)	-----	---	---		233	VDD15	-----	---	---	
174	VAL	-----	---	---		234	YC IN (6)	-----	---	---	
175	REACH	-----	---	---		235	YC IN (7)	-----	---	---	
176	INTSEG	R3002 (LEFT)	D-6	WF-218	MAIN C.B.A. (C)	236	VSS	-----	---	---	
177	VDD18	-----	---	---		237	VDD18	-----	---	---	
178	DO DAT	RX3005-2	F-5	WF-184	MAIN C.B.A. (F)	238	BUS MODE	-----	---	---	
179	VDD18	-----	---	---		239	VDD18	-----	---	---	
180	DO LRCK	RX3005-4	F-5	WF-185	MAIN C.B.A. (F)	240	VSS	-----	---	---	

(C): COMPONENT SIDE (F):FOIL SIDE

Check Point of the IC3001

CSP IC		Check Point	WF NO.	Remarks	CSP IC		Check Point	WF NO.	Remarks		
Pin	Name				Pin	Name					
241	DAC AVDD25	_____	---	---	302	CAM C G AFE CLK	_____	---	---		
242	LCD R OUT	Q603-B	B-5	WF-171	MAIN C.B.A. (C)	303	CAM C G CS	_____	---	---	
243	LCD RVBS	C3064 (RIGHT)	D-5	WF-1	MAIN C.B.A. (C)	304	CAM AFE CS	_____	---	---	
244	DAC AVSS	_____	---	---	305	VSS	_____	---	---		
245	DAC AVSS	_____	---	---	306	OSD VR	RL3029	C-3	WF-171	MAIN C.B.A. (C)	
246	DAC AVDD25	_____	---	---	307	OSD VG	RL3028	C-3	WF-172	MAIN C.B.A. (C)	
247	DAC AVDD25	_____	---	---	308	OSD VB	RL3027	C-3	WF-173	MAIN C.B.A. (C)	
248	LCD G OUT	Q602-B	B-5	WF-172	MAIN C.B.A. (C)	309	OSD BLK A	RL3026	C-3	WF-1	MAIN C.B.A. (C)
249	LCD GVBS	C3063 (RIGHT)	E-5	WF-1	MAIN C.B.A. (C)	310	VSS	_____	---	---	
250	LCD REF	C3062 (LOWER)	E-4	WF-1	MAIN C.B.A. (C)	311	VDD15	_____	---	---	
251	DAC AVSS	_____	---	---	312	OSD BLK B	RL3025	C-3	WF-1	MAIN C.B.A. (C)	
252	DAC AVDD25	_____	---	---	313	FAD VDD15	_____	---	---		
253	LCD B OUT	Q601-B	B-5	WF-173	MAIN C.B.A. (C)	314	FAD VSS	_____	---	---	
254	LCD BVBS	C3061 (LOWER)	E-5	WF-1	MAIN C.B.A. (C)	315	FAD VDD32	_____	---	---	
255	DAC AVSS	_____	---	---	316	OSD HD	RL3020	C-3	WF-131	MAIN C.B.A. (C)	
256	DAC AVSS	_____	---	---	317	OSD VD	RL3007	C-3	WF-131	MAIN C.B.A. (C)	
257	DAC AVDD25	_____	---	---	318	LCD VBLK	R912 (RIGHT)	D-7	WF-129	MONITOR C.B.A. (F)	
258	DAC AVDD25	_____	---	---	319	LCD HD	R913 (RIGHT)	D-7	WF-126	MONITOR C.B.A. (F)	
259	Y OUT	C3303 (LOWER)	E-4	WF-171	MAIN C.B.A. (F)	320	VSS	_____	---	---	
260	YVBS	C3060 (LOWER)	E-5	WF-1	MAIN C.B.A. (C)	321	LCDPOL	R3008 (RIGHT)	C-4	WF-1	MAIN C.B.A. (C)
261	YREF	C3059 (LOWER)	E-4	WF-1	MAIN C.B.A. (C)	322	VDD30	_____	---	---	
262	DAC AVSS	_____	---	---	323	CLK45M ZB	_____	---	---		
263	DAC AVDD25	_____	---	---	324	AFDR VD	_____	---	---		
264	C OUT	C3319 (LOWER)	E-5	WF-1	MAIN C.B.A. (I)	325	LINPWM	_____	---	---	
265	CVBS	C3058 (LOWER)	D-5	WF-1	MAIN C.B.A. (I)	326	OSD CLK	RL3004	B-2	WF-1	MAIN C.B.A. (C)
266	CREF	C3057 (RIGHT)	E-4	WF-1	MAIN C.B.A. (I)	327	FSLPH0	R3048 (RIGHT)	C-4	WF-1	MAIN C.B.A. (C)
267	DAC AVSS	_____	---	---	328	DTCLK	_____	---	---		
268	VSS	_____	---	---	329	DVM	_____	---	---		
269	VDD32	_____	---	---	330	FAD VDD32	_____	---	---		
270	VSS	_____	---	---	331	FAD VSS	_____	---	---		
271	SDCLK	R3007 (RIGHT)	D-4	WF-1	MAIN C.B.A. (C)	332	FAD VDD15	_____	---	---	
272	DATA (3)	R3906 (ROGHT)	A-2	WF-1	SD HOLDER C.B.A. (F)	333	VDD30	_____	---	---	
273	DATA (2)	R3905 (RIGHT)	A-2	WF-1	SD HOLDER C.B.A. (F)	334	VDD18	_____	---	---	
274	DATA (1)	R3908 (LOWER)	A-2	WF-1	SD HOLDER C.B.A. (F)	335	TRACE CLK	R3016 (RIGHT)	C-4	WF-1	MAIN C.B.A. (C)
275	DATA (0)	R3907 (LOWER)	A-2	WF-1	SD HOLDER C.B.A. (F)	336	TRACE SYNC	R3017 (RIGHT)	C-4	WF-1	MAIN C.B.A. (C)
276	NC	_____	---	---	337	TRACE PKT (0)	RX3004-8	C-4	WF-1	MAIN C.B.A. (C)	
277	CMD	R3006 (RIGHT)	D-4	WF-1	MAIN C.B.A. (C)	338	TRACE PKT (1)	RX3004-6	C-4	WF-1	MAIN C.B.A. (C)
278	NC	_____	---	---	339	VDD18	_____	---	---		
279	SD VDD32	_____	---	---	340	VDD15	_____	---	---		
280	VDD15	_____	---	---	341	VSS	_____	---	---		
281	CLK480	C3067 (LEFT)	D-4	WF-132	MAIN C.B.A. (C)	342	SD VDD15	_____	---	---	
282	CLK 48I	C3066 (RIGHT)	D-4	WF-132	MAIN C.B.A. (C)	343	SD VSS	_____	---	---	
283	NC	_____	---	---	344	SD VDD25	_____	---	---		
284	NC	_____	---	---	345	TRACEPKT (2)	RX3004-4	C-4	WF-1	MAIN C.B.A. (C)	
285	NC	_____	---	---	346	TRACEPKT (3)	RX3004-2	C-4	WF-1	MAIN C.B.A. (C)	
286	VDD25	_____	---	---	347	TRACEPKT (4)	RX3002-2	C-4	WF-1	MAIN C.B.A. (C)	
287	VSS	_____	---	---	348	TRACEPKT (5)	RX3002-4	C-4	WF-1	MAIN C.B.A. (C)	
288	NC	_____	---	---	349	TRACEPKT (6)	RX3002-6	C-4	WF-1	MAIN C.B.A. (C)	
289	NC	_____	---	---	350	TRACEPKT (7)	RX3002-8	C-4	WF-1	MAIN C.B.A. (C)	
290	NC	_____	---	---	351	PIPESTAT (0)	RX3003-2	C-4	WF-1	MAIN C.B.A. (C)	
291	USB DP	CL3001	E-9	WF-1	MAIN C.B.A. (C)	352	PIPESTAT (1)	RX3003-4	C-4	WF-1	MAIN C.B.A. (C)
292	USB DM	CL3002	E-9	WF-1	MAIN C.B.A. (C)	353	PIPESTAT (2)	RX3003-6	C-4	WF-1	MAIN C.B.A. (C)
293	VSS	_____	---	---	354	A15	R3012 (RIGHT)	B-4	WF-1	MAIN C.B.A. (C)	
294	USB VDD32	_____	---	---	355	VSS	_____	---	---		
295	USB VDD32	_____	---	---	356	SD VDD25	_____	---	---		
296	VDD30	_____	---	---	357	SD VSS	_____	---	---		
297	CAM LENS DTO	_____	---	---	358	SD VDD15	_____	---	---		
298	CAM LENS CLK	_____	---	---	359	VSS	_____	---	---		
299	CAM LENS CS	_____	---	---	360	RTCK	RX3003-8	C-4	WF-1	MAIN C.B.A. (C)	
300	CAM C G AFE DTO	_____	---	---	361	XTRST	R3021 (LOWER)	C-4	WF-1	MAIN C.B.A. (C)	
301	VDD30	_____	---	---							

(C): COMPONENT SIDE (F): FOIL SIDE

Check Point of the IC3201

CSP IC		Check Point	WF NO.	Remarks	CSP IC		Check Point	WF NO.	Remarks	
Pin	Name				Pin	Name				
1	DVSS	-----	---	---	61	ADM (2)	RL3010	A-2	WF-1	MAIN C.B.A. (C)
2	VRH	C3207 (LEFT)	B-2	WF-1	62	DVDD18	-----	---	---	
3	VRL	C3208 (LEFT)	B-2	WF-1	63	ADM (3)	RL3009	A-2	WF-1	MAIN C.B.A. (C)
4	AVD12 (ADC1)	-----	---	---	64	ADM (4)	R3218 (UPPER)	A-2	WF-1	MAIN C.B.A. (C)
5	AD TEST	-----	---	---	65	ADM (5)	R3221 (LEFT)	B-3	WF-1	MAIN C.B.A. (C)
6	AVD12 (ADC1)	-----	---	---	66	DVSS	-----	---	---	
7	AVD14 (AMP1)	-----	---	---	67	ADM (6)	R3222 (LEFT)	B-3	WF-1	MAIN C.B.A. (C)
8	AVD14 (AMP1)	-----	---	---	68	ADM (7)	R3223 (LEFT)	B-3	WF-1	MAIN C.B.A. (C)
9	PB IN	CL3203	B-1	WF-142	69	ADM (8)	R2220 (UPPER)	C-7	WF-98	MAIN C.B.A. (C)
10	AVD15 (ADC2)	-----	---	---	70	DVDD18	-----	---	---	
11	ATF IN	C3206 (LOWER)	B-2	WF-176	71	ADM (9)	R2212 (LEFT)	B-6	WF-1	MAIN C.B.A. (C)
12	AVS15 (ADC2)	-----	---	---	72	ADM (10)	RL3008	A-2	WF-1	MAIN C.B.A. (C)
13	AVD13 (ADC1/2)	-----	---	---	73	ADM (11)	R3002 (LEFT)	D-6	WF-218	MAIN C.B.A. (C)
14	AVS13 (ADC1/2)	-----	---	---	74	ADM (12)	-----	---	---	
15	AVD16 (VREF)	-----	---	---	75	DVSS	-----	---	---	
16	VCORP	R3202 (LOWER)	B-2	WF-2	76	ADM (13)	-----	---	---	
17	AVS16 (VREF)	-----	---	---	77	ADM (14)	-----	---	---	
18	AVS22 (DAC2/3)	-----	---	---	78	ADM (15)	-----	---	---	
19	OSO	R3206 (RIGHT)	B-1	WF-1	79	AS	-----	---	---	
20	VREF3	-----	---	---	80	DVDD18	-----	---	---	
21	VREF2	C3210 (RIGHT)	B-1	WF-1	81	XRE	-----	---	---	
22	AVD22 (DAC2/3)	-----	---	---	82	XWEL	RX2202-5	A-7	WF-157	MAIN C.B.A. (F)
23	ATF0	R3203 (LOWER)	B-2	WF-1	83	XWEH	RX2202-3	A-7	WF-158	MAIN C.B.A. (F)
24	VERF1	C3213 (LEFT)	C-2	WF-1	84	CLK27A	R3063 ()	C-6	WF-183	MAIN C.B.A. (C)
25	FPORP	R3204 (LOWER)	B-2	WF-1	85	DVSS	-----	---	---	
26	AVS21 (ADC1)	-----	---	---	86	DBR (0)	RL3014	A-2	WF-1	MAIN C.B.A. (C)
27	AVD21 (ADC1)	-----	---	---	87	DBR (1)	-----	---	---	
28	FPO	R3207 (UPPER)	B-1	WF-1	88	DBR (2)	-----	---	---	
29	VCO IN	R3207 (LOWER)	B-1	WF-1	89	DBR (3)	-----	---	---	
30	AVS11 (VCO)	-----	---	---	90	DVDD18	-----	---	---	
31	AVD11 (VCO)	-----	---	---	91	REQR	R3020 ()	D-6	WF-1	MAIN C.B.A. (C)
32	DVDD25	-----	---	---	92	ACKR	-----	---	---	
33	AGC CTL	RX3202-7	A-1	WF-1	93	TSTCKI	-----	---	---	
34	RECCUR	RX3202-5	A-1	WF-1	94	DVSS	-----	---	---	
35	CAP ERR	RX3202-3	A-1	WF-1	95	TSTDT (0)	-----	---	---	
36	CYL ERR	RX3202-1	A-1	WF-1	96	TSTDT (1)	-----	---	---	
37	CAP RSF	RL3011	B-1	WF-1	97	TSTDT (2)	-----	---	---	
38	DVSS	-----	---	---	98	DVDD18	-----	---	---	
39	TRST	R3211 (LEFT)	B-2	WF-1	99	TSTDT (3)	-----	---	---	
40	TMS	R3071 (LEFT)	B-4	WF-131	100	TSTDT (4)	-----	---	---	
41	TDI	-----	---	---	101	TSTDT (5)	-----	---	---	
42	TDO	-----	---	---	102	TSTDT (6)	-----	---	---	
43	TCK	R3072 (UPPER)	B-3	WF-1	103	DVSS	-----	---	---	
44	HID1	IC5001-17	B-9	WF-140	104	TSTDT (7)	-----	---	---	
45	HID2	IC5001-16	B-9	WF-1	105	TSTDT (8)	-----	---	---	
46	SPA	CL3201	A-2	WF-1	106	TSTDT (9)	-----	---	---	
47	DVSS	-----	---	---	107	VPD	-----	---	---	
48	RECI	IC5001-19	B-9	WF-1	108	DVDD18	-----	---	---	
49	EQHLD	IC5001-11	B-9	WF-1	109	XRST	R3211 (RIGHT)	B-2	WF-1	MAIN C.B.A. (C)
50	HSE	CL3208	A-2	WF-1	110	TSTMD	-----	---	---	
51	REC CLK	CL3213	A-2	WF-190	111	CS	-----	---	---	
52	DVDD18	-----	---	---	112	GE SW	-----	---	---	
53	REC CTL	IC5001-15	B-9	WF-1						
54	PBH	R5015 (LOWER)	B-8	WF-1						
55	CYL FG	CL2205	A-6	WF-180						
56	DRIVE CLK	R2222 (LEFT)	C-6	WF-178						
57	DVSS	-----	---	---						
58	CYL PG	CL2204	C-7	WF-179						
59	ADM (0)	R3215 (RIGHT)	A-1	WF-1						
60	ADM (1)	R3214 (LEFT)	A-2	WF-1						

(C): COMPONENT SIDE (F):FOIL SIDE

Check Point of the IC3451

CSP IC		Check Point		WF NO.	Remarks	CSP IC		Check Point		WF NO.	Remarks
Pin	Name					Pin	Name				
1	MP D12/D28	_____	___	___		61	A0/BS/PT	_____	___	___	
2	MP D11/D27	_____	___	___		62	A1	_____	___	___	
3	MP D10/D26	_____	___	___		63	A2	_____	___	___	
4	MP D9/D25	_____	___	___		64	A3	_____	___	___	
5	VCCQ2	_____	___	___		65	A4	_____	___	___	
6	VSSQ2	_____	___	___		66	VSSQ1	_____	___	___	
7	MP D8/D24	_____	___	___		67	VDDQ1	_____	___	___	
8	MP WE	_____	___	___		68	A5	_____	___	___	
9	MP D7/D23	_____	___	___		69	A6	_____	___	___	
10	MP D6/D22	_____	___	___		70	A7	_____	___	___	
11	MP D5/D21	_____	___	___		71	SD CD	_____	___	___	
12	MP CKE	_____	___	___		72	A8	_____	___	___	
13	MP D4/D20	_____	___	___		73	A9	_____	___	___	
14	MP CS	_____	___	___		74	SD WP/PT	R3420 (UPPER)	C-9	WF-1	SUB C.B.A. (C)
15	VCC	_____	___	___		75	A10	_____	___	___	
16	VSS	_____	___	___		76	A11	_____	___	___	
17	MP D3/D19	_____	___	___		77	A12	_____	___	___	
18	MP D2/D18	_____	___	___		78	A13	_____	___	___	
19	VCCQ2	_____	___	___		79	VCCQ1	_____	___	___	
20	VSSQ2	_____	___	___		80	VSSQ1	_____	___	___	
21	MP D1/D17	_____	___	___		81	A14	_____	___	___	
22	MP D0/D16	_____	___	___		82	A15	_____	___	___	
23	LSIMD	_____	___	___		83	A16	_____	___	___	
24	AVSS (USB)	_____	___	___		84	SD DO/PT	_____	___	___	
25	DP	_____	___	___		85	A17	_____	___	___	
26	DM	_____	___	___		86	A18	_____	___	___	
27	AVCC (USB)	_____	___	___		87	SD D1/PT	_____	___	___	
28	VBUS/PT	_____	___	___		88	A19	_____	___	___	
29	TEST3	_____	___	___		89	VCC	_____	___	___	
30	VCC	_____	___	___		90	UCLK	_____	___	___	
31	VSS	_____	___	___		91	VSS	_____	___	___	
32	TEST2	_____	___	___		92	A20	_____	___	___	
33	TEST1	_____	___	___		93	A21/PT	_____	___	___	
34	TEST0	_____	___	___		94	A22/PT	_____	___	___	
35	VCKMD	_____	___	___		95	VSSQ1	_____	___	___	
36	WE0/DQM0	_____	___	___		96	VCCQ1	_____	___	___	
37	WE1/DQM1	R3421 (UPPER)	D-2	WF-1	SUB C.B.A. (F)	97	A23/PT	_____	___	___	
38	D15	_____	___	___		98	A24/CAS/PT	_____	___	___	
39	VCCQ1	_____	___	___		99	SD D2/PT	_____	___	___	
40	VSSQ1	_____	___	___		100	A25/RAS/PT	_____	___	___	
41	D14	_____	___	___		101	SD D3/PT	_____	___	___	
42	D13	_____	___	___		102	RD	_____	___	___	
43	D12	_____	___	___		103	ASEMD0	_____	___	___	
44	D11	_____	___	___		104	MD0	_____	___	___	
45	D10	_____	___	___		105	STATAUS0	CL3416	D-2	WF-1	SUB C.B.A. (F)
46	VSS	_____	___	___		106	SD CLK	_____	___	___	
47	VCC	_____	___	___		107	VSSQ1	_____	___	___	
48	TAP SEL	_____	___	___		108	VCCQ1	_____	___	___	
49	D9	_____	___	___		109	SD CMD/PT	_____	___	___	
50	D8	_____	___	___		110	RDWR	_____	___	___	
51	D7	_____	___	___		111	MD1	_____	___	___	
52	D6	_____	___	___		112	WAIT	_____	___	___	
53	D5	_____	___	___		113	SCIF TXD/PT	CL3422	E-2	WF-164	SUB C.B.A. (F)
54	VSSQ1	_____	___	___		114	SCIF RXD/PT	CL3421	F-3	WF-165	SUB C.B.A. (F)
55	VCCQ1	_____	___	___		115	SCIF SCK/PT	CL3425	F-3	WF-163	SUB C.B.A. (F)
56	D4	_____	___	___		116	CS0	R3422 (UPPER)	C-1	WF-1	SUB C.B.A. (F)
57	D3	_____	___	___		117	CS3/PT	CL3418	D-2	WF-1	SUB C.B.A. (F)
58	D2	_____	___	___		118	CS4/PT	_____	___	___	
59	D1	_____	___	___		119	CS5A/PT	CL3424	F-3	WF-1	SUB C.B.A. (F)
60	D0	_____	___	___		120	CS6B/PT	CL3423	F-4	WF-1	SUB C.B.A. (F)

(C): COMPONENT SIDE (F):FOIL SIDE

Check Point of the IC3451

CSP IC		Check Point	WF NO.	Remarks	CSP IC		Check Point	WF NO.	Remarks
Pin	Name				Pin	Name			
121	MD2	————	—	—	181	SHMF IMD	————	—	—
122	MD3	————	—	—	182	SHMF INT	QR2001-B	B-6	WF-1
123	MD4	————	—	—	183	SHMF IRD	————	—	—
124	MD7	————	—	—	184	SHMF EWR	————	—	—
125	BREQ	————	—	—	185	SHMF IRS	————	—	—
126	BACK	————	—	—	186	VCCQ2	————	—	—
127	VCCQ1	————	—	—	187	VSSQ3	————	—	—
128	VSSQ1	————	—	—	188	SHMF ID7	————	—	—
129	DREQ1/PT	————	—	—	189	SHMF ID6	————	—	—
130	DACK1/PT	CL3417	D-3	WF-1	190	SHMF ID5	————	—	—
131	DREQ0/PT	————	—	—	191	SHMF ID4	————	—	—
132	DACK0/PT	CL3419	E-3	WF-1	192	SHMF ID3	————	—	—
133	NMI	QR3401-C	E-8	WF-1	193	SHMF ID2	————	—	—
134	IRQ3/PT	————	—	—	194	SHMF ID1	————	—	—
135	VCC	————	—	—	195	SHMF ID0	————	—	—
136	VSS	————	—	—	196	VSSQ3	————	—	—
137	IRQ2/PT	————	—	—	197	VCCQ2	————	—	—
138	IRQ1/PT	————	—	—	198	SHMF ICS	————	—	—
139	IRQ0/PT	————	—	—	199	YC IO7	————	—	—
140	ASEBRKAK	CL3415	D-2	WF-1	200	YC IO6	————	—	—
141	CKE	————	—	—	201	YC IO5	————	—	—
142	VCCQ1	————	—	—	202	YC IO4	————	—	—
143	CKIO	CL3426	D-2	WF-1	203	YC IO3	————	—	—
144	VSSQ1	————	—	—	204	VSSQ3	————	—	—
145	AU DATA3	CL3414	E-2	WF-1	205	VCCQ2	————	—	—
146	AU DATA2	CL3413	D-3	WF-1	206	YC IO2	————	—	—
147	AU DCK	CL3412	D-3	WF-1	207	YC IO1	————	—	—
148	AU DATA1	CL3411	D-2	WF-1	208	YC IO0	————	—	—
149	AU DATA0	CL3410	D-2	WF-1	209	CLK27D	R3423 (LOWER)	WF-122	SUB C.B.A. (F)
150	VCC	————	—	—	210	VCC	————	—	—
151	VSS	————	—	—	211	VSS	————	—	—
152	AUD SYNC	CL3409	E-3	WF-1	212	CLK27B	————	—	—
153	TRST	CL3408	D-3	WF-1	213	VCCQ2	————	—	—
154	TDO	CL3407	D-3	WF-1	214	MP RAS	————	—	—
155	TCK	CL3406	E-3	WF-1	215	VSSQ2	————	—	—
156	TMS	CL3405	D-3	WF-1	216	MP CAS	————	—	—
157	TDI	CL3404	D-3	WF-1	217	MP A13	————	—	—
158	VCCQ1	————	—	—	218	MP A12	————	—	—
159	XTAL	————	—	—	219	MP A11	————	—	—
160	EXTAL	————	—	—	220	MP A10	————	—	—
161	VSSQ1	————	—	—	221	MP A9	————	—	—
162	MD8	————	—	—	222	MP A8	————	—	—
163	MD9	————	—	—	223	MP A7	————	—	—
164	RESET OUT	CL3420	D-3	WF-1	224	MP A6	————	—	—
165	VSS	————	—	—	225	VSSQ2	————	—	—
166	VCC	————	—	—	226	VCCQ2	————	—	—
167	RESET P	CL3403	E-3	WF-1	227	MP A5	————	—	—
168	VCC (PLL1)	————	—	—	228	MP A4	————	—	—
169	VSS (PLL1)	————	—	—	229	MP A3	————	—	—
170	VCC (PLL2)	————	—	—	230	MP A2	————	—	—
171	VSS (PLL2)	————	—	—	231	MP A1	————	—	—
172	VSSQ3	————	—	—	232	MP A0	————	—	—
173	VSSQ2	————	—	—	233	MP DOMU/WE3/DQM3	————	—	—
174	SIU I LR	RX3005-3	F-5	WF-185	234	VSSQ2	————	—	—
175	SIU I BT	RX3005-7	F-5	WF-187	235	MP CLK	————	—	—
176	SIU I SLD	RX3005-1	F-5	WF-184	236	VCCQ2	————	—	—
177	SIU O LR	RX-3005-3	F-5	WF-185	237	MP DOML/WE2/DQM2	————	—	—
178	SIU O BT	RX3005-7	F-5	WF-187	238	MP D15/D31	————	—	—
179	SIU O SLD	RL3005	D-6	WF-1	239	MP D14/D30	————	—	—
180	SIU MLK	————	—	—	240	MP D13/D29	————	—	—

(C): COMPONENT SIDE (F): FOIL SIDE

Check Point of the IC3452

Pin	CSP IC		Check Point		WF NO.	Remarks
	Name					
1	A15					
2	A14					
3	A13					
4	A12					
5	A11					
6	A10					
7	A9					
8	A8					
9	NC					
10	NC					
11	WEB	R3421 (UPPER)	D-2	WF-1	SUB C.B.A. (F)	
12	RSTB	CL3403	E-3	WF-1	SUB C.B.A. (F)	
13	NC					
14	A18					
15	RY/BYE					
16	NC					
17	A17					
18	A7					
19	A6					
20	A5					
21	A4					
22	A3					
23	A2					
24	A1					
25	A0					
26	CEB	CL3427	C-1	WF-1	SUB C.B.A. (F)	
27	VSS					
28	QEB					
29	DQ0					
30	DQ8					
31	DQ1					
32	DQ9					
33	DQ2					
34	DQ10					
35	DQ3					
36	DQ11					
37	VCC					
38	DQ4					
39	DQ12					
40	DQ6					
41	DQ13					
42	DQ8					
43	DQ14					
44	DQ7					
45	DQ15					
46	VSS					
47	BYTEB					
48	A16					

(C): COMPONENT SIDE (F):FOIL SIDE

Check Point of the IC3453

CSP IC		Check Point		WF NO.	Remarks	CSP IC		Check Point		WF NO.	Remarks
Pin	Name					Pin	Name				
1	VDD	_____	---	---		61	VSS	_____	---	---	
2	VDD	_____	---	---		62	DQM3	_____	---	---	
3	DQ0	_____	---	---		63	A3	_____	---	---	
4	VDDQ	_____	---	---		64	A4	_____	---	---	
5	DQ1	_____	---	---		65	A5	_____	---	---	
6	DQ2	_____	---	---		66	A6	_____	---	---	
7	VSSQ	_____	---	---		67	A7	_____	---	---	
8	DQ3	_____	---	---		68	A8	_____	---	---	
9	DQ4	_____	---	---		69	A9	_____	---	---	
10	VDDQ	_____	---	---		70	CKE	_____	---	---	
11	DQ5	_____	---	---		71	D CLK	_____	---	---	
12	DQ6	_____	---	---		72	NC	_____	---	---	
13	VSSQ	_____	---	---		73	NC	_____	---	---	
14	DQ7	_____	---	---		74	DQM1	_____	---	---	
15	NC	_____	---	---		75	VSS	_____	---	---	
16	VDD	_____	---	---		76	NC	_____	---	---	
17	DQM0	_____	---	---		77	DQ8	_____	---	---	
18	WE	_____	---	---		78	VDDQ	_____	---	---	
19	CAS	_____	---	---		79	DQ9	_____	---	---	
20	RAS	_____	---	---		80	DQ10	_____	---	---	
21	CS	_____	---	---		81	VSSQ	_____	---	---	
22	NC	_____	---	---		82	DQ11	_____	---	---	
23	BA0	_____	---	---		83	DQ12	_____	---	---	
24	BA1	_____	---	---		84	VDDQ	_____	---	---	
25	A10	_____	---	---		85	DQ13	_____	---	---	
26	A0	_____	---	---		86	DQ14	_____	---	---	
27	A1	_____	---	---		87	VSSQ	_____	---	---	
28	A2	_____	---	---		88	DQ15	_____	---	---	
29	DQM2	_____	---	---		89	VSS	_____	---	---	
30	VDD	_____	---	---		90	VSS	_____	---	---	
31	NC	_____	---	---							
32	DQ16	_____	---	---							
33	VSSQ	_____	---	---							
34	DQ17	_____	---	---							
35	DQ18	_____	---	---							
36	VDDQ	_____	---	---							
37	DQ19	_____	---	---							
38	DQ20	_____	---	---							
39	VSSQ	_____	---	---							
40	DQ21	_____	---	---							
41	DQ22	_____	---	---							
42	VDDQ	_____	---	---							
43	DQ23	_____	---	---							
44	VDD	_____	---	---							
45	VDDQ	_____	---	---							
46	VSSQ	_____	---	---							
47	VSS	_____	---	---							
48	DQ24	_____	---	---							
49	VSSQ	_____	---	---							
50	DQ25	_____	---	---							
51	DQ26	_____	---	---							
52	VDDQ	_____	---	---							
53	DQ27	_____	---	---							
54	DQ28	_____	---	---							
55	VSSQ	_____	---	---							
56	DQ29	_____	---	---							
57	DQ30	_____	---	---							
58	VDDQ	_____	---	---							
59	DQ31	_____	---	---							
60	NC	_____	---	---							

(C): COMPONENT SIDE (F):FOIL SIDE

Check Point of the IC3501

CSP IC		Check Point		WF NO.	Remarks	CSP IC		Check Point		WF NO.	Remarks
Pin	Name					Pin	Name				
1	VDD	_____	---	---		61	YC STP	_____	---	---	
2	VDD	_____	---	---		62	VSS	_____	---	---	
3	VDD	_____	---	---		63	YC SDA	IC3301-12	E-4	WF-1	MAIN C.B.A. (F)
4	MONI 0 (6)	_____	---	---		64	VSS	_____	---	---	
5	MONI 0 (5)	_____	---	---		65	NOSYNC	RX2006-5	D-8	WF-1	MAIN C.B.A. (F)
6	AVDD 2.5	_____	---	---		66	YC SCK	IC3301-15	E-4	WF-1	MAIN C.B.A. (F)
7	AVSS	_____	---	---		67	LSI RESET	R3501 (LEFT)	B-3	WF-1	MAIN C.B.A. (F)
8	AVBB	_____	---	---		68	PS	_____	---	---	
9	Y AINT	Q3503-1	C-5	WF-1	MAIN C.B.A. (F)	69	VDDC	_____	---	---	
10	Y AINC	C3523 (LEFT)	D-5	WF-1	MAIN C.B.A. (F)	70	CLK27P	_____	---	---	
11	Y REFBOT	IC3502-1	D-4	WF-1	MAIN C.B.A. (F)	71	135SEL	_____	---	---	
12	Y CML	C3509 (LOWER)	D-4	WF-1	MAIN C.B.A. (F)	72	MONI SEL I (5)	_____	---	---	
13	Y REFTOP	IC3502-7	D-4	WF-1	MAIN C.B.A. (F)	73	MONI SEL I (4)	_____	---	---	
14	Y ITTEST	C3510 (LOWER)	D-4	WF-1	MAIN C.B.A. (F)	74	MONI SEL I (3)	_____	---	---	
15	Y STBY	_____	---	---		75	MONI SEL I (2)	_____	---	---	
16	Y SPEEDUP	_____	---	---		76	MONI SEL I (1)	_____	---	---	
17	VCD2	_____	---	---		77	MONI SEL I (0)	_____	---	---	
18	DVSS	_____	---	---		78	TMS	R3071 (RIGHT)	B-4	WF-1	MAIN C.B.A. (F)
19	AVBB	_____	---	---		79	TCK	R3072 (LOWER)	B-3	WF-1	MAIN C.B.A. (F)
20	DVDD2.5	_____	---	---		80	VSS	_____	---	---	
21	Y EOC	_____	---	---		81	TRST	R3501 (RIGHT)	B-3	WF-1	MAIN C.B.A. (F)
22	Y STC	_____	---	---		82	TDI	_____	---	---	
23	C STC	_____	---	---		83	TDO	_____	---	---	
24	C EOC	_____	---	---		84	P M SEL	_____	---	---	
25	DVDD2.5	_____	---	---		85	CAM IN SEL	_____	---	---	
26	DVSS	_____	---	---		86	VSS	_____	---	---	
27	AVBB	_____	---	---		87	VSS	_____	---	---	
28	VDD2	_____	---	---		88	VSS	_____	---	---	
29	C SPEEDUP	_____	---	---		89	VDD	_____	---	---	
30	C STBY	_____	---	---		90	VDD	_____	---	---	
31	C ITTEST	C3512 (UPPER)		WF-1	MAIN C.B.A. (F)	91	VDD	_____	---	---	
32	C REFTOP	IC3502-7		WF-1	MAIN C.B.A. (F)	92	VDD	_____	---	---	
33	C CML	C3513 (LOWER)		WF-1	MAIN C.B.A. (F)	93	VIDEO S I	R3568 (LOWER)	C-5	WF-1	MAIN C.B.A. (F)
34	C REFBOT	IC3502-1		WF-1	MAIN C.B.A. (F)	94	INH	_____	---	---	
35	C AINC	C3523 (LEFT)		WF-1	MAIN C.B.A. (F)	95	CPSYNC	CL3503	B-4	WF-131	MAIN C.B.A. (F)
36	C AINT	C3569 (LEFT)		WF-1	MAIN C.B.A. (F)	96	COLOR FRAM	CL3504	B-4	WF-131	MAIN C.B.A. (F)
37	AVBB	_____	---	---		97	VSS	_____	---	---	
38	AVSS	_____	---	---		98	VSS	_____	---	---	
39	AVDD2.5	_____	---	---		99	C O O (0)	_____	---	---	
40	MONI 0 (4)	_____	---	---		100	VDD	_____	---	---	
41	MONI 0 (3)	_____	---	---		101	C O O (1)	_____	---	---	
42	VSS	_____	---	---		102	C O O (2)	_____	---	---	
43	VSS	_____	---	---		103	C O O (3)	_____	---	---	
44	VSS	_____	---	---		104	VDD	_____	---	---	
45	VDD	_____	---	---		105	C O O (4)	_____	---	---	
46	VDD	_____	---	---		106	VSS	_____	---	---	
47	VDD	_____	---	---		107	C O O (5)	_____	---	---	
48	MONI 0 (2)	_____	---	---		108	C O O (6)	_____	---	---	
49	MONI 0 (1)	_____	---	---		109	C O O (7)	_____	---	---	
50	VDD	_____	---	---		110	VSS	_____	---	---	
51	MONI 0 (0)	_____	---	---		111	Y O O (0)	_____	---	---	
52	VSS	_____	---	---		112	Y O O (1)	_____	---	---	
53	VDD	_____	---	---		113	VDD	_____	---	---	
54	FS MODE	_____	---	---		114	INV	_____	---	---	
55	INF I	_____	---	---		115	Y O O (2)	_____	---	---	
56	CLK 135P	_____	---	---		116	Y O O (3)	_____	---	---	
57	FS ENBL	_____	---	---		117	VDD	_____	---	---	
58	VDD	_____	---	---		118	Y O O (4)	_____	---	---	
59	CLK27M	_____	---	---		119	Y O O (5)	_____	---	---	
60	VDDC	_____	---	---		120	Y O O (6)	_____	---	---	


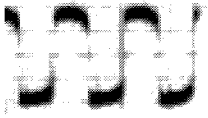






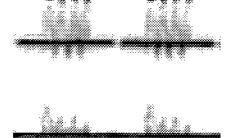
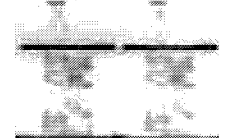








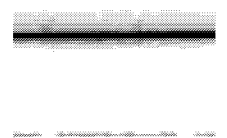











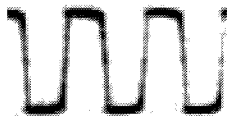







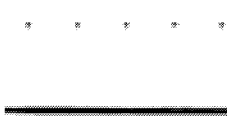

(C): COMPONENT SIDE (F):FOIL SIDE

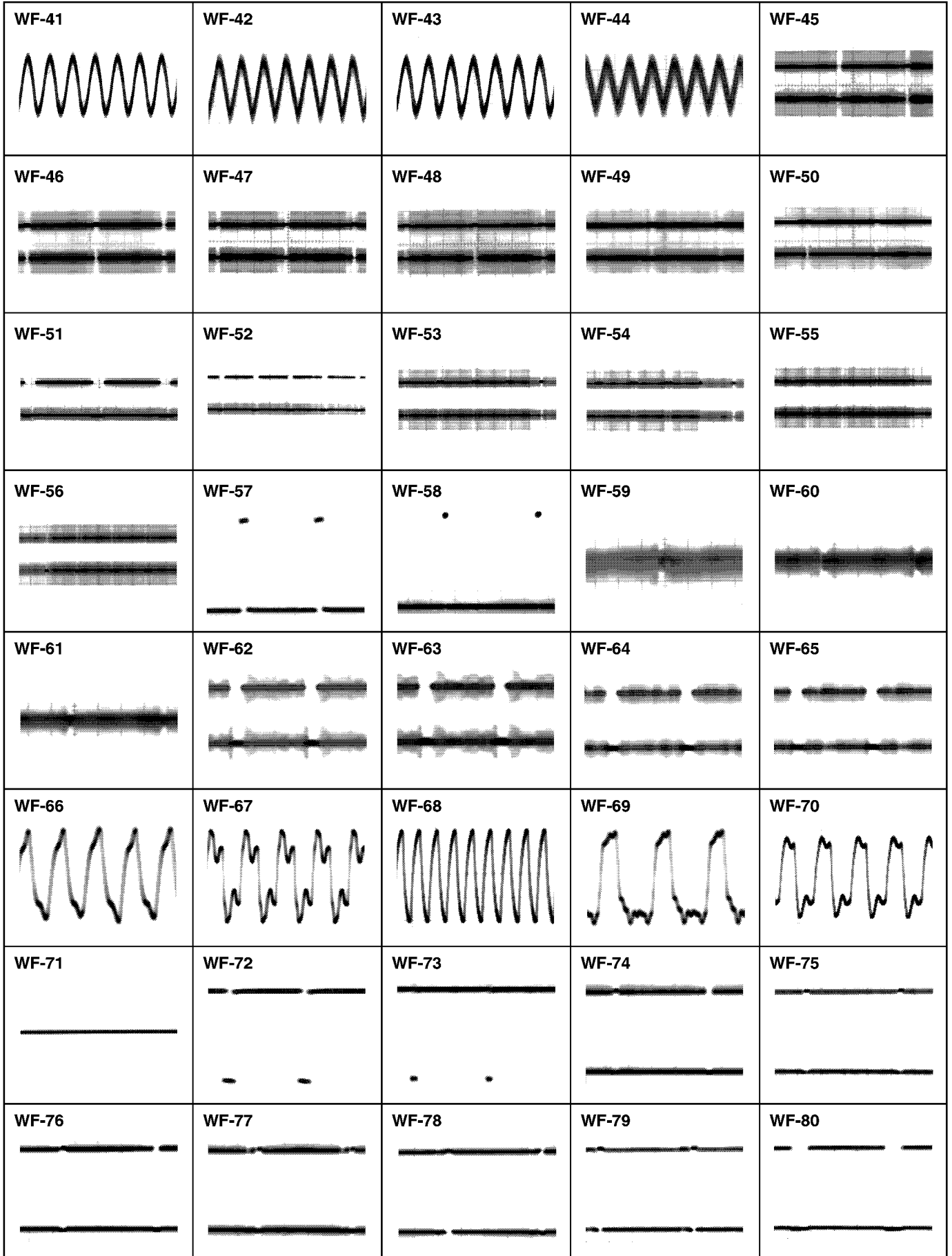
Check Point of the IC3501

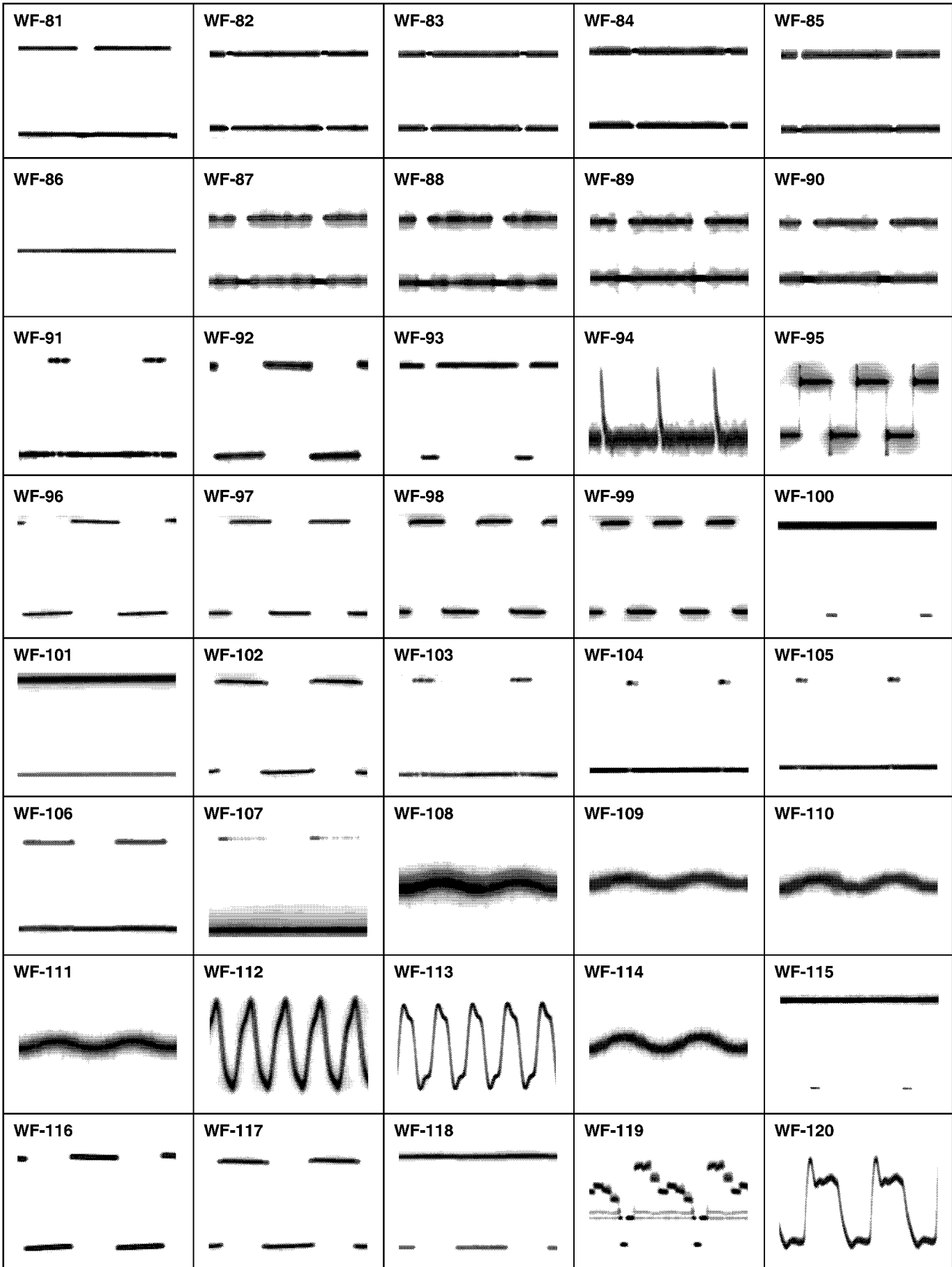
CSP IC		Check Point	WF NO.	Remarks
Pin	Name			
121	Y O O (7)	=====	---	---
122	OUT SEL	=====	---	---
123	SEL 1	=====	---	---
124	VSS	=====	---	---
125	CAM Y (0)	=====	---	---
126	CAM Y (1)	=====	---	---
127	CAM Y (2)	=====	---	---
128	CAM Y (3)	=====	---	---
129	VDD	=====	---	---
130	VDD	=====	---	---
131	VDD	=====	---	---
132	VSS	=====	---	---
133	VSS	=====	---	---
134	VSS	=====	---	---
135	CAM Y (4)	=====	---	---
136	VDD	=====	---	---
137	CAM Y (5)	=====	---	---
138	VDD	=====	---	---
139	CAM INH	=====	---	---
140	CAM INV	=====	---	---
141	VSS	=====	---	---
142	VDD	=====	---	---
143	CAM C (0)	=====	---	---
144	VSS	=====	---	---
145	VSS	=====	---	---
146	CLK 135M	=====	---	---
147	VDD	=====	---	---
148	VDD	=====	---	---
149	VDD	=====	---	---
150	CAM C (1)	=====	---	---
151	CAM C (2)	=====	---	---
152	CAM C (3)	=====	---	---
153	CAM C (4)	=====	---	---
154	VSS	=====	---	---
155	CAM C (5)	=====	---	---
156	VSS	=====	---	---
157	CAM C (6)	=====	---	---
158	CAM C (7)	=====	---	---
159	VSS	=====	---	---
160	VSS	=====	---	---
161	CAM Y (6)	=====	---	---
162	CAM Y (7)	=====	---	---
163	CAM Y (8)	=====	---	---
164	CAM Y (9)	=====	---	---
165	VDD	=====	---	---
166	ALL HIZ N	=====	---	---
167	NANDTREE 1	=====	---	---
168	NANDTREE 2	=====	---	---
169	VSS	=====	---	---
170	VSS	=====	---	---
171	MONI 0 (7)	=====	---	---
172	MONI 0 (8)	=====	---	---
173	MONI 0 (9)	=====	---	---
174	VSS	=====	---	---
175	VSS	=====	---	---
176	VSS	=====	---	---

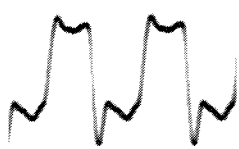

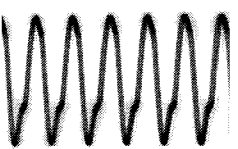


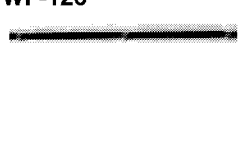
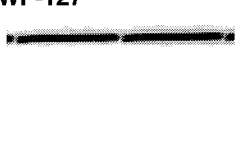
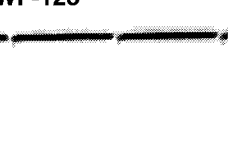
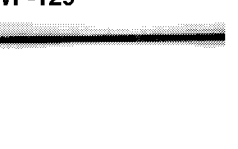

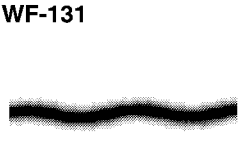

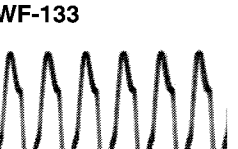
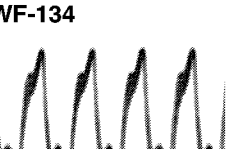
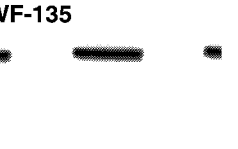
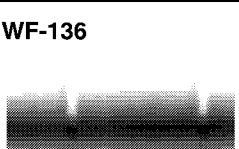
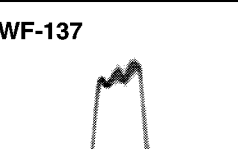
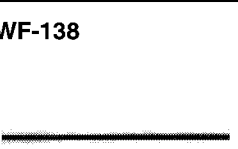

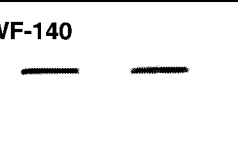
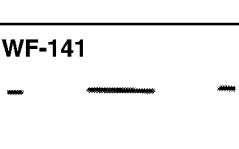
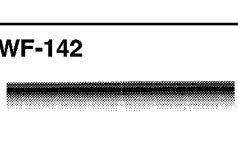
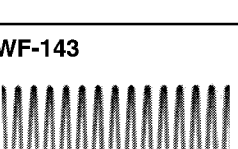
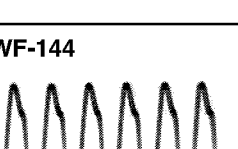
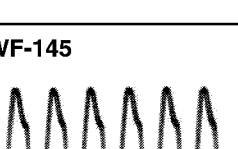
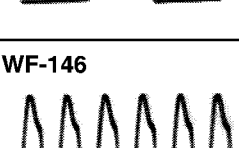
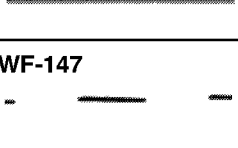
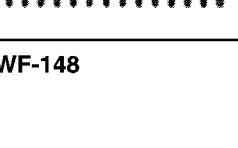
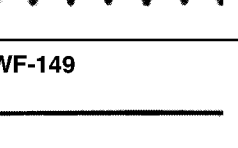
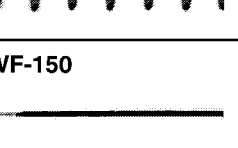
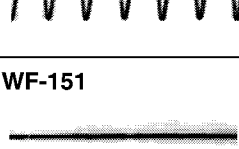
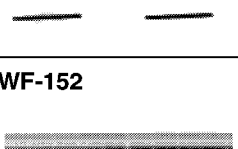
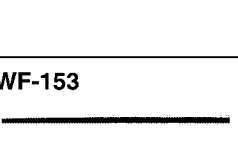
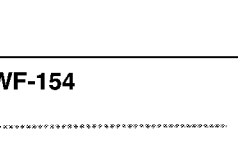
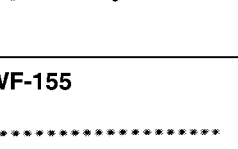

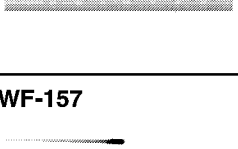
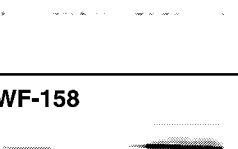
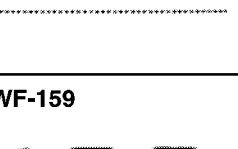
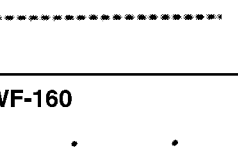
(C): COMPONENT SIDE (F):FOIL SIDE











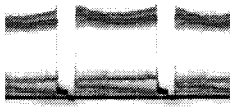

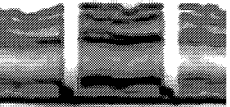


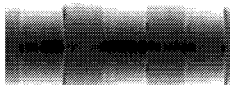

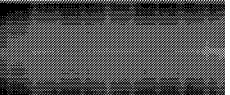




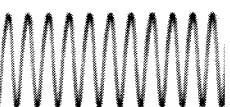
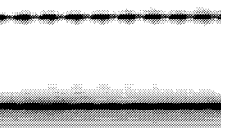

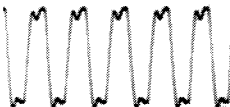




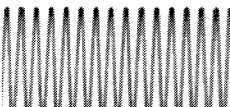
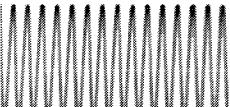


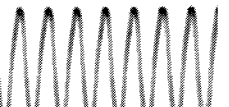
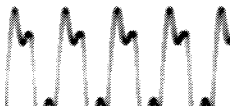




15.2. WAVEFORM TABLE (PLAY MODE)

WF-1 	WF-2 	WF-3 	WF-4 	WF-5 
WF-6 	WF-7 	WF-8 	WF-9 	WF-10 
WF-11 	WF-12 	WF-13 	WF-14 	WF-15 
WF-16 	WF-17 	WF-18 	WF-19 	WF-20 
WF-21 	WF-22 	WF-23 	WF-24 	WF-25 
WF-26 	WF-27 	WF-28 	WF-29 	WF-30 
WF-31 	WF-32 	WF-33 	WF-34 	WF-35 
WF-36 	WF-37 	WF-38 	WF-39 	WF-40 





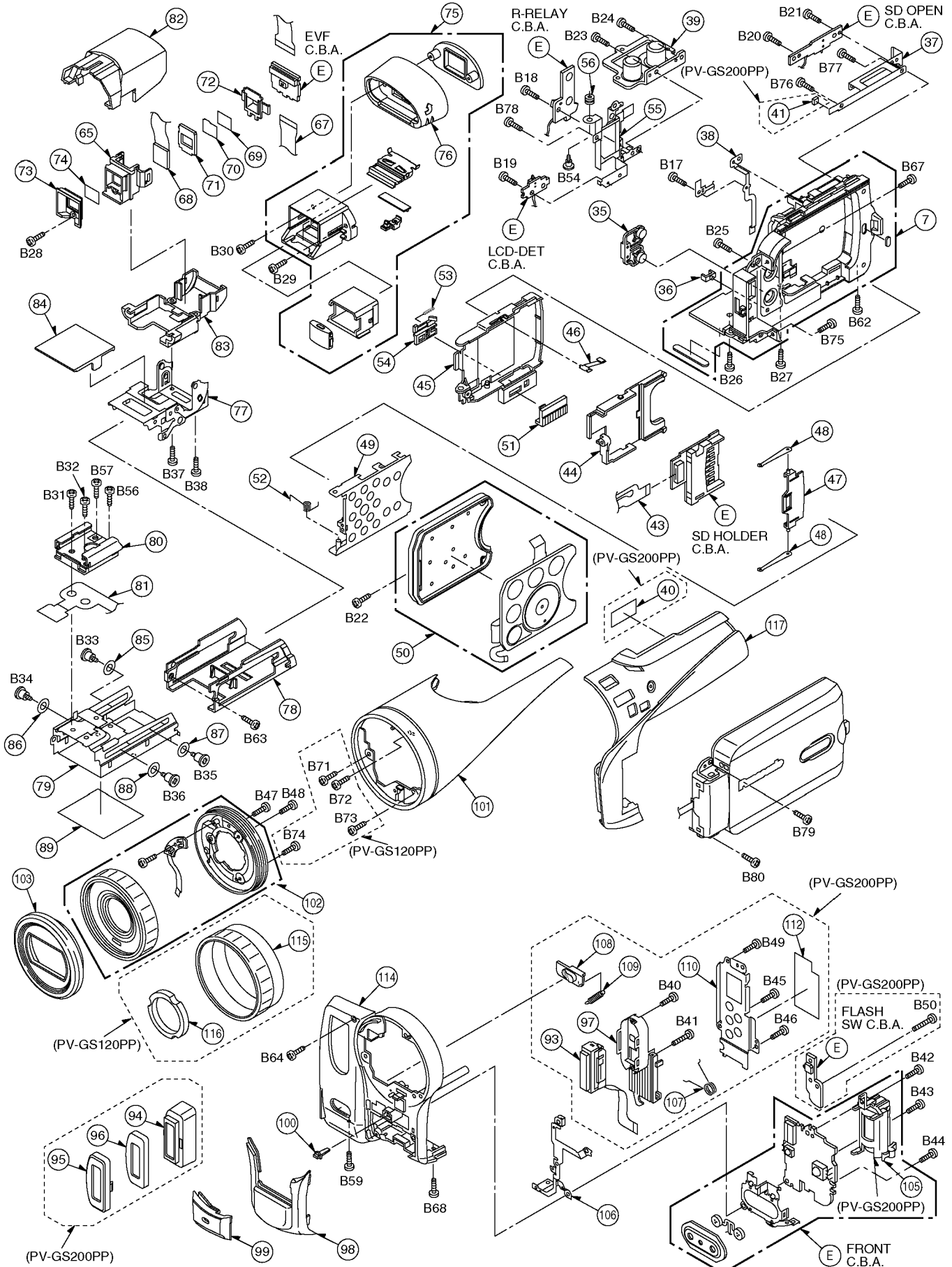
WF-121 	WF-122 	WF-123 	WF-124 	WF-125 
WF-126 	WF-127 	WF-128 	WF-129 	WF-130 
WF-131 	WF-132 	WF-133 	WF-134 	WF-135 
WF-136 	WF-137 	WF-138 	WF-139 	WF-140 
WF-141 	WF-142 	WF-143 	WF-144 	WF-145 
WF-146 	WF-147 	WF-148 	WF-149 	WF-150 
WF-151 	WF-152 	WF-153 	WF-154 	WF-155 
WF-156 	WF-157 	WF-158 	WF-159 	WF-160 

WF-161 	WF-162 	WF-163 	WF-164 	WF-165 
WF-166 	WF-167 	WF-168 	WF-169 	WF-170 
WF-171 	WF-172 	WF-173 	WF-174 	WF-175 
WF-176 	WF-177 	WF-178 	WF-179 	WF-180 
WF-181 	WF-182 	WF-183 	WF-184 	WF-185 
WF-186 	WF-187 	WF-188 	WF-189 	WF-190 
WF-191 	WF-192 	WF-193 	WF-194 	WF-195 
WF-196 	WF-197 	WF-198 	WF-199 	WF-200 

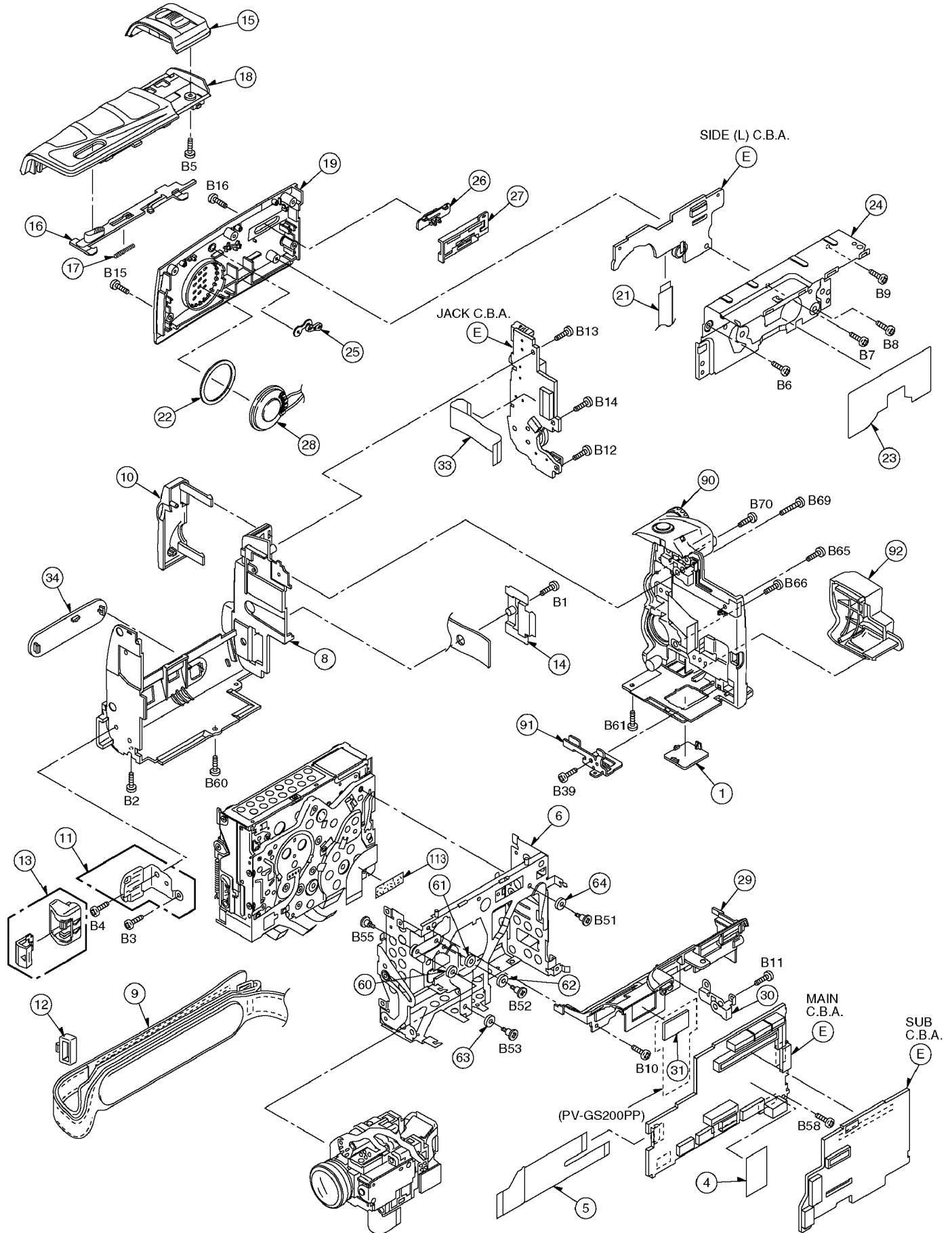
WF-201 	WF-202 	WF-203 	WF-204 	WF-205
WF-206 	WF-207 	WF-208 	WF-209 	WF-210
WF-211 	WF-212 	WF-213 	WF-214 	WF-215
WF-216 	WF-217 	WF-218 	WF-219 	WF-220
WF-221 	WF-222 	WF-223 	WF-224 	WF-225
WF-226 	WF-227 	WF-228 	WF-229 	WF-230
WF-231 	WF-232 	WF-233 	WF-234 	WF-235
WF-236 				

16 EXPLODED VIEWS

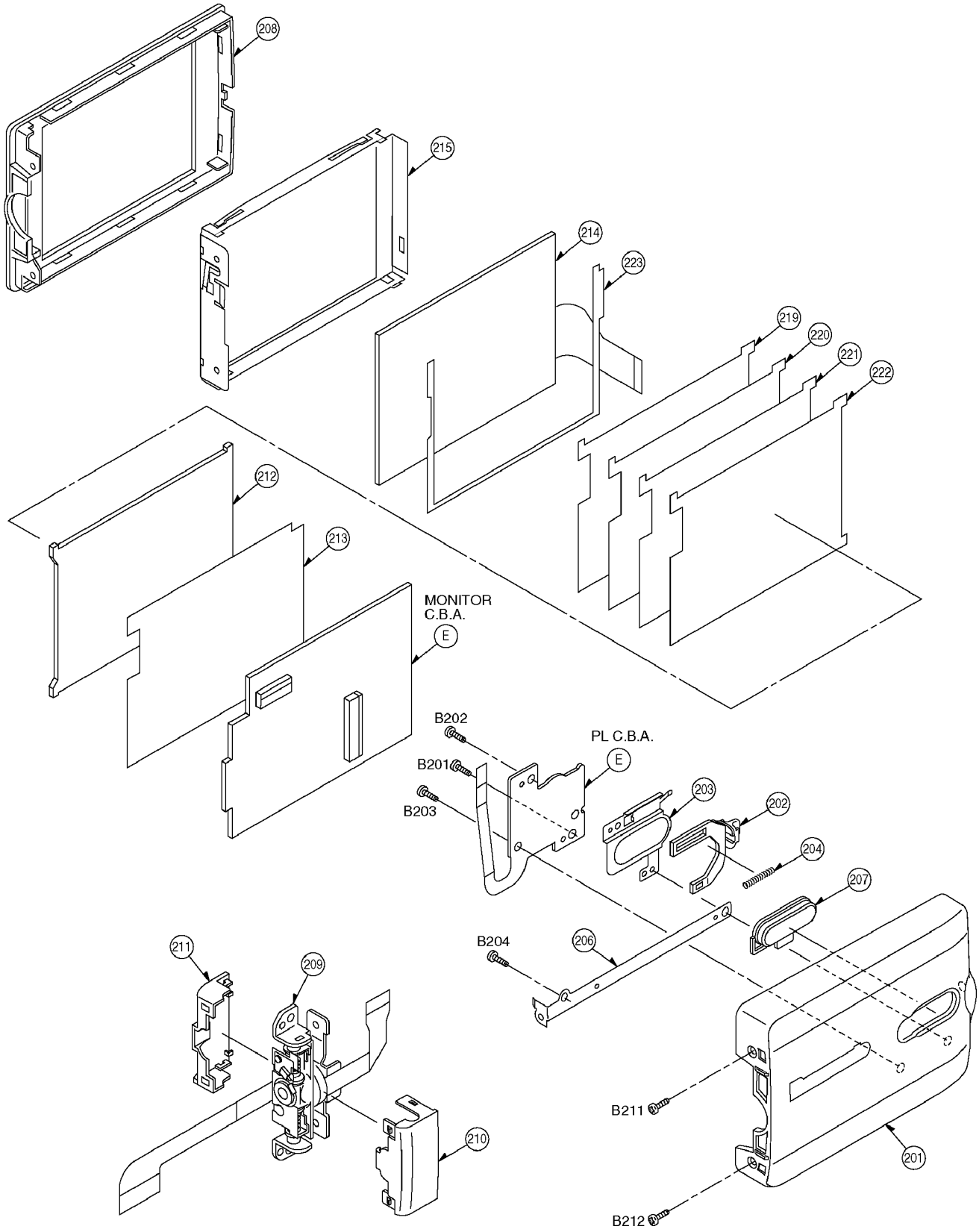
16.1. FRAME & CASING SECTION (1)



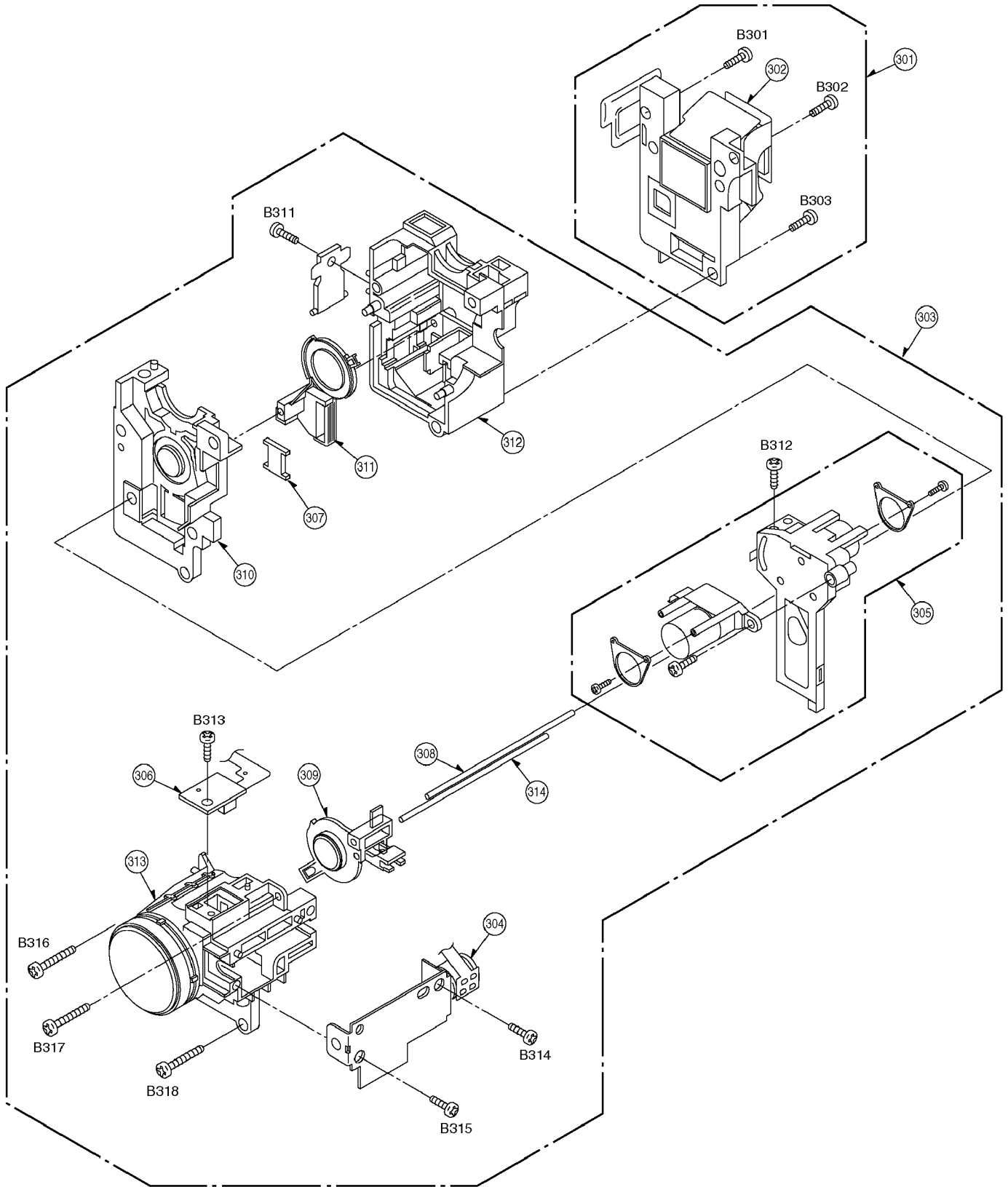
16.2. FRAME & CASING SECTION (2)



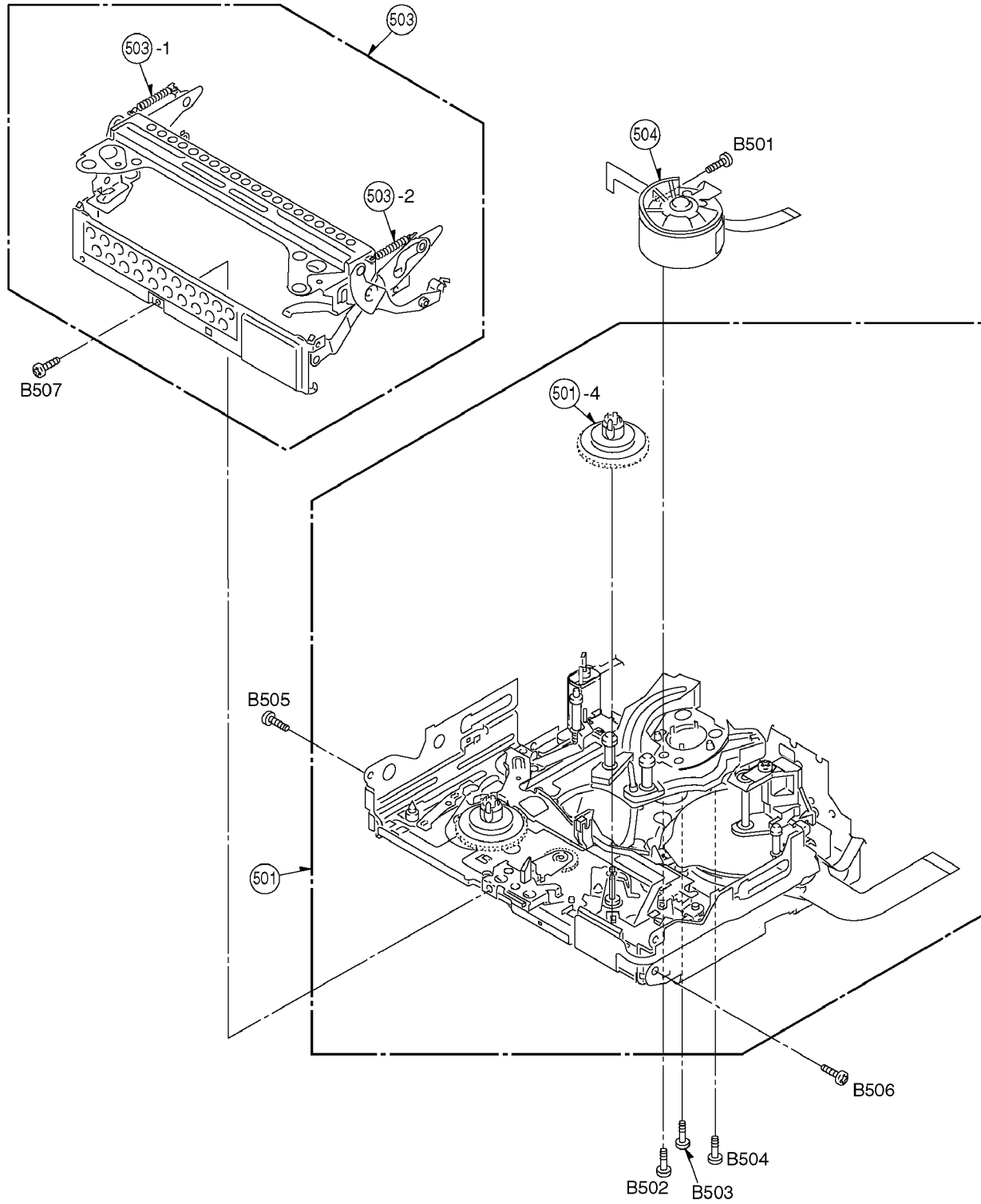
16.3. LCD SECTION



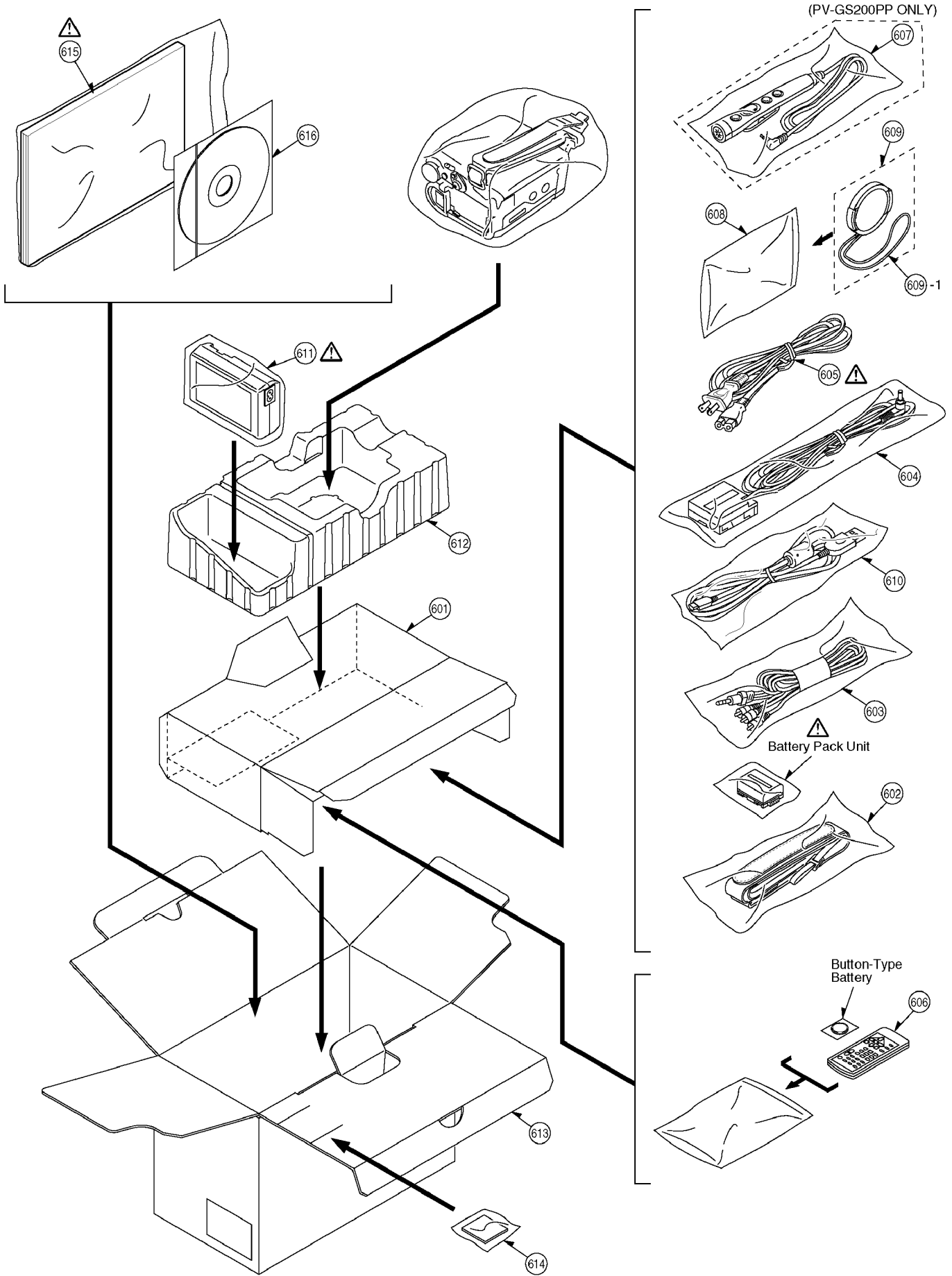
16.4. CAMERA LENS SECTION



16.5. VCR MECHANISM SECTION



16.6. PACKING PARTS & ACCESSORIES SECTION



17 REPLACEMENT PARTS LIST

17.1. FRAME & CASING SECTION (1), (2) PARTS LIST

Note: 1. *Be sure to make your orders of replacement parts according to this list.
2. IMPORTANT SAFETY NOTICE
Components identified with the mark Δ have the special characteristics for safety. When replacing any of these components, use only the same type.
3. Definition of Parts supplier:
Parts without mark in the Remarks column are supplied from SPC.

Ref. No.	Part No.	Part Name & Description	Pcs	Remarks
1	VKF3861	EVF COVER	1	
4	VGQ7730	INSULATION SHEET	1	
5	VWJ1696	FRONT FPC	1	
5	VWJ1708	FRONT FPC	1	
6	VYK1D22	MECHA. FRAME U.	1	
7	VYK1H80	R BASE U.	1	
8	VKM6471	SIDE CASE L	1	
9	VYC0910	GRIP BELT U.	1	
10	VKF3859	JACK COVER (L)	1	
11	VYK1D23	GRIP BELT ANGLE (L) U.	1	
12	VGQ7161	GRIP BELT PIECE	1	
13	VKF3767	LOCK PIECE COVER	1	
14	VMP7922	GRIP BELT ANGLE (REAR)	1	
15	N9ZZ00000241	ZOOM OP U.	1	
16	VML3855	CASSETTE LOCK LEVER	1	
17	VMB3856	CASSETTE LOCK SPRING	1	
18	VKM6472	CASSETTE COVER (TOP)	1	PV-GS200PP-S
18	VKM6478	CASSETTE COVER (TOP)	1	PV-GS120PP-S
19	VKM6473	CASSETTE COVER (SIDE)	1	
21	VWJ1697	SIDE L FPC	1	
22	VGQ5908	SPEAKER SHEET	1	
23	VGQ7701	SHEET	1	
24	VMP7883	CASSETTE PLATE	1	
25	VGU9307	RESET BUTTON	1	
26	VGU9572	MODE SELECT KNOB	1	
27	VGU9573	KNOB HOLDER	1	
28	L0AA02A00036	SPEAKER U.	1	
29	VKM6412	TOP CASE	1	
30	VSC5564	CASE (L) EARTH ANGLE	1	
31	VGQ7923	HEATING SHEET	1	PV-GS200PP-S
33	VWJ1704	JACK FPC	1	
34	VKF3862	MECHA. ADJ. COVER	1	
35	VGU9570	REC BUTTON	1	
36	VGL0849	POWER PANEL LIGHT	1	
37	VMP7917	REAR HOLD PLATE	1	
38	VSC5571	SD EARTH PLATE	1	
39	VMP7916	TRIPOD PLATE	1	
40	VMP7918	HEAT DISSIPATION PLATE	1	
41	VGQ7922	SR PORON	1	PV-GS200PP-S
43	VWJ1700	SD FPC	1	
44	VGQ7803	SD HOLDER PIECE	1	
45	VGQ7804	SD HOLDER BASE	1	
46	VMC1851	SD DETECT SW SPRING	1	
47	VGQ7218	SD SLIDE COVER	1	
48	VMP7635	SD SLIDE LINK	2	
49	VXA7799	SD SUPPORT PLATE U.	1	
50	VYK1J13	SD DOOR U.	1	
51	VGU9571	SD OPEN KNOB	1	
52	VMB3868	SD DOOR SPRING	1	
53	VMB3755	SD OPEN KNOB SPRING	1	
54	VGQ7805	SD LOCK PIECE	1	

Ref. No.	Part No.	Part Name & Description	Pcs	Remarks
55	VMP7915	HINGE SUPPORT PLATE	1	
56	VMG1107	DUMPER RUBBER	1	
60	VMG1107	DUMPER RUBBER	1	
61	VMG1107	DUMPER RUBBER	1	
62	VMG1107	DUMPER RUBBER	1	
63	VMG1107	DUMPER RUBBER	1	
64	VMG1107	DUMPER RUBBER	1	
65	VGQ7782	LCD HOLDER	1	
67	VWJ1699	EVF FPC	1	
68	L5BDDXH00016	LCD PANEL	1	
69	VGL1088	BL DIFFUSION SHEET	1	
70	VGL1089	BL PRISM SHEET	1	
71	VGQ7785	LCD PIECE	1	
72	VGQ7784	BL PIECE	1	
73	VGQ7783	LENS PRISM SHEET HOLD	1	
74	VGL1090	LENS PRISM SHEET	1	
75	VYK1D11	EVF VIEW ADJ. U.	1	
76	VMG1600	EYE CAP	1	
77	VYK1D09	EVF HINGE U.	1	
78	VGQ7780	SLIDE FRAME	1	
79	VMC1898	EVF SUPPORT PLATE	1	
80	K1FB108H0014	HOT SHOE	1	PV-GS200PP-S
80	VXA7632	COLD SHOE	1	PV-GS120PP-S
81	VWJ1698	HOT SHOE FLEX.	1	PV-GS200PP-S
82	VKM6560	EVF CASE (UPPER)	1	
83	VKM6403	EVF CASE (LOWER)	1	
84	VGQ7788	SLIDE MASK PIECE	1	
85	VGQ7249	SLIDE SPACER	1	
86	VGQ7249	SLIDE SPACER	1	
87	VGQ7249	SLIDE SPACER	1	
88	VGQ7249	SLIDE SPACER	1	
89	VGQ7909	TAPE	1	
90	N9ZZ00000244	REAR OPERATION U.	1	PV-GS200PP-S
90	N9ZZ00000247	REAR OPERATION U.	1	PV-GS120PP-S
91	VMP7923	SHOULDER BELT ANGLE	1	
92	VKF3860	REAR JACK COVER	1	
93	EPN-MVS34	FLASH FLEX. U.	1	PV-GS200PP-S
94	VGQ7793	FL CASE (FRONT)	1	PV-GS200PP-S
95	VGQ7794	FL CASE	1	PV-GS200PP-S
96	VGQ7795	FL CASE (INSIDE)	1	PV-GS200PP-S
97	VGQ7796	FL CASE (REAR)	1	PV-GS200PP-S
98	VYK1D14	FRONT CASE U.	1	PV-GS200PP-S
98	VYK1E21	FRONT CASE U.	1	PV-GS120PP-S
99	VKW3179	SENSOR WINDOW	1	
100	VGL1091	TALLY PANEL LIGHT	1	
101	VGK3013	LENS CASE	1	PV-GS200PP-S
101	VGK3014	LENS CASE	1	PV-GS120PP-S
102	VYK1D16	MF U.	1	PV-GS200PP-S
102	VDW0911Q	MF COVER	1	PV-GS120PP-S
103	VYK1D17	LENS HOOD U.	1	
105	VGQ7792	CAPACITOR HOLDER	1	PV-GS200PP-S
106	VMP7911	FRONT EARTH PLATE	1	
107	VMB3751	FL HOP UP SPRING	1	PV-GS200PP-S
108	VGU9568	FL LOCK KNOB	1	PV-GS200PP-S
109	VMB3752	FL LOCK KNOB SPRING	1	PV-GS200PP-S
110	VMP7912	FL GUIDE ANGLE	1	PV-GS200PP-S
112	VGQ8067	FL BARRIER	1	PV-GS200PP-S
113	VGQ6407	TAPE	1	
114	VKM6404	FRONT CASE	1	PV-GS200PP-S
114	VKM6453	FRONT CASE	1	PV-GS120PP-S
115	VGK2992	LENS CASE RING	1	PV-GS120PP-S
116	VMG1527	LENS DUMPER RUBBER	1	PV-GS120PP-S
117	VKM6556	R COVER	1	PV-GS200PP-S
117	VKM6451	R COVER	1	PV-GS120PP-S
B1	VHD1658	SCREW	1	
B2	XQN16+B2FN	SCREW	1	

Ref. No.	Part No.	Part Name & Description	Pcs	Remarks
B3	XQN16+B2FN	SCREW	1	
B4	XQN16+B4FZ	SCREW	1	
B5	XQN16+BJ4FN	SCREW	1	
B6	XQN16+BJ4FN	SCREW	1	
B7	XQN16+BJ4FN	SCREW	1	
B8	XQN16+BJ4FN	SCREW	1	
B9	XQN16+BJ4FN	SCREW	1	
B10	XQN16+B2FN	SCREW	1	
B11	XQN16+B3FZ	SCREW	1	PV-GS200PP-S
B11	XQN16+B3FN	SCREW	1	PV-GS120PP-S
B12	XQN16+B3FZ	SCREW	1	PV-GS200PP-S
B12	XQN16+B3FN	SCREW	1	PV-GS120PP-S
B13	XQN16+BJ4FN	SCREW	1	
B14	XQN16+BJ4FN	SCREW	1	
B15	VHD1601	SCREW	1	
B16	VHD1601	SCREW	1	
B17	XQN16+B2FN	SCREW	1	
B18	XQN16+B3FZ	SCREW	1	
B19	XQN16+B3FZ	SCREW	1	
B20	XQN16+BJ4FN	SCREW	1	
B21	XQN16+BJ4FN	SCREW	1	
B22	XQN16+BJ4FN	SCREW	1	
B23	XQN16+BJ5FZ	SCREW	1	
B24	XQN16+BJ5FZ	SCREW	1	
B25	XQN16+BJ4FN	SCREW	1	
B26	XQN16+B3FZ	SCREW	1	
B27	XQN16+B3FZ	SCREW	1	
B28	XQN16+BJ4FZ	SCREW	1	
B29	XQN16+BJ5FZ	SCREW	1	
B30	XQN16+BJ5FZ	SCREW	1	
B31	XQS2+A25FN	SCREW	1	
B32	XQS2+A25FN	SCREW	1	
B33	VHD1606	SCREW	1	
B34	VHD1606	SCREW	1	
B35	VHD1606	SCREW	1	
B36	VHD1606	SCREW	1	
B37	XQN16+BJ8FN	SCREW	1	
B38	XQN16+BJ8FN	SCREW	1	
B39	XQN16+BJ5FZ	SCREW	1	
B40	XQN16+BJ6FZ	SCREW	1	PV-GS200PP-S
B41	XQN16+BJ10FN	SCREW	1	PV-GS200PP-S
B42	XQS16+AJ4FZ	SCREW	1	PV-GS200PP-S
B42	XQN16+BJ35FN	SCREW	1	PV-GS120PP-S
B43	XQN16+BJ35FN	SCREW	1	
B44	XQN16+BJ35FN	SCREW	1	
B45	XQN16+BJ35FN	SCREW	1	PV-GS200PP-S
B46	XQN16+BJ35FN	SCREW	1	PV-GS200PP-S
B47	XQN16+BJ5FN	SCREW	1	PV-GS200PP-S
B47	XQN16+BJ3FN	SCREW	1	PV-GS120PP-S
B48	XQN16+BJ5FN	SCREW	1	PV-GS200PP-S
B48	XQN16+BJ3FN	SCREW	1	PV-GS120PP-S
B49	XQN16+BJ5FN	SCREW	1	PV-GS200PP-S
B50	XQN16+BJ8FN	SCREW	1	PV-GS200PP-S
B51	VHD1133	SCREW	1	
B52	VHD1133	SCREW	1	
B53	VHD1133	SCREW	1	
B54	VHD1353	SCREW	1	
B55	VHD1353	SCREW	1	
B56	VHD1526	SCREW	1	
B57	VHD1526	SCREW	1	
B58	XQN16+B3FZ	SCREW	1	
B59	XQN16+B3FZ	SCREW	1	
B60	XQN16+B3FZ	SCREW	1	
B61	XQN16+BJ8FZ	SCREW	1	
B62	XQN16+B3FZ	SCREW	1	
B63	XQN16+B5FZ	SCREW	1	
B64	XQN16+B5FZ	SCREW	1	
B65	XQN16+B5FZ	SCREW	1	
B66	XQN16+B5FZ	SCREW	1	
B67	XQN16+BJ4FN	SCREW	1	
B68	XQN16+BJ6FZ	SCREW	1	
B69	XQN16+BJ8FZ	SCREW	1	

Ref. No.	Part No.	Part Name & Description	Pcs	Remarks
B71	XQN16+BJ4FN	SCREW	1	PV-GS120PP-S
B72	XQN16+BJ4FN	SCREW	1	PV-GS120PP-S
B73	XQN16+BJ4FN	SCREW	1	PV-GS120PP-S
B74	XQN16+BJ3FN	SCREW	1	PV-GS120PP-S
B75	XQN16+BJ4FN	SCREW	1	
B76	XQN16+BJ3	SCREW	1	
B77	XQN16+BJ3	SCREW	1	
B78	XQN16+BJ3	SCREW	1	
B79	VHD1411	SCREW	1	
B80	VHD1411	SCREW	1	

17.2. LCD SECTION PARTS LIST

Note: 1. *Be sure to make your orders of replacement parts according to this list.

2. IMPORTANT SAFETY NOTICE

Components identified with the mark Δ have the special characteristics for safety. When replacing any of these components, use only the same type.

3. Definition of Parts supplier:

Parts without mark in the Remarks column are supplied from SPC.

Ref. No.	Part No.	Part Name & Description	Pcs	Remarks
201	VYK1G61	LCD CASE (1) U. (UPPER)	1	PV-GS200PP-S
201	VYK1G57	LCD CASE (1) U. (UPPER)	1	PV-GS120PP-S
202	VGQ7799	LCD LOCK PIECE	1	
203	VMP7914	LCD LOCK PLATE	1	
204	VMB3600	LCD LOCK SPRING	1	
206	VSC5605	LCD EARTH PLATE	1	
207	VYK1H84	BL BUTTON U.	1	
208	VKM6406	LCD CASE (LOWER)	1	PV-GS200PP-S
208	VKM6452	LCD CASE (LOWER)	1	PV-GS120PP-S
209	VXD0421	LCD HINGE (1) U.	1	
210	VGQ7800	HINGE COVER (UPPER)	1	
211	VGQ7801	HINGE COVER (LOWER)	1	
212	VKW3178	POLARIZATION PLATE	1	
213	VGL1081	REFLECTION SHEET	1	
214	L5BDDYH00009	LCD PANEL U.	1	PV-GS200PP-S
214	L5BDDYH00004	LCD PANEL U.	1	PV-GS120PP-S
215	VSC5572	LCD SHIELD CASE	1	PV-GS200PP-S
215	VSC5587	LCD SHIELD CASE	1	PV-GS120PP-S
219	VGL1106	DBEF SHEET	1	PV-GS200PP-S
219	VGL1110	DBEF SHEET	1	PV-GS120PP-S
220	VGL1107	PRISM SHEET A	1	PV-GS200PP-S
220	VGL1111	PRISM SHEET A	1	PV-GS120PP-S
221	VGL1108	PRISM SHEET B	1	PV-GS200PP-S
221	VGL1112	PRISM SHEET B	1	PV-GS120PP-S
222	VGL1109	DIFFUSION SHEET	1	
223	VGQ8111	MONITOR SHEET	1	
B201	VHD1303	SCREW	1	
B202	VHD1303	SCREW	1	
B203	VHD1303	SCREW	1	
B204	XQN16+BJ25FN	SCREW	1	
B211	VHD1675	SCREW	1	
B212	VHD1675	SCREW	1	

17.3. CAMERA LENS SECTION PARTS LIST

Note: 1. *Be sure to make your orders of replacement parts according to this list.

2. IMPORTANT SAFETY NOTICE

Components identified with the mark Δ have the special characteristics for safety. When replacing any of these components, use only the same type.

3. Definition of Parts supplier:

Parts without mark in the Remarks column are supplied from SPC.

Ref. No.	Part No.	Part Name & Description	Pcs	Remarks
301	VXQ1213	PRISM U.	1	PV-GS200PP-S
301	VXQ1217	PRISM U.	1	PV-GS120PP-S
302	VEP22349A	CCD FLEX. C.B.A.	1	PV-GS200PP-S
302	VEP22349B	CCD FLEX. C.B.A.	1	PV-GS120PP-S
303	VXW0667	LENS U.	1	
304	L6HA68NC0001	ZOOM MOTOR U.	1	
305	L9ZZ00000198	IRIS U.	1	
306	VEK0G41	LENS FLEX. C.B.A. U.	1	
307	VMA9961	SIDE YOKE	1	
308	VMS7312	GUIDE POLE	1	
309	VXP2357	2ND MOVING FRAME U.	1	
310	VXQ1215	3RD FRAME U.	1	
311	VXP2359	4TH MOVING FRAME U.	1	
312	VXQ1216	MASTER FLANGE U.	1	
313	VXQ1214	MAIN FRAME U.	1	
314	VMS7312	GUIDE POLE	1	
B301	XQN16+CJ5	SCREW	1	
B302	XQN16+CJ5	SCREW	1	
B303	XQN16+CJ5	SCREW	1	
B311	XQN16+CJ5	SCREW	1	
B312	XQN16+CJ5	SCREW	1	
B313	XQN16+CJ5	SCREW	1	
B314	VHD1508	SCREW	1	
B315	VHD1508	SCREW	1	
B316	VHD1509	SCREW	1	
B317	VHD1509	SCREW	1	
B318	VHD1509	SCREW	1	

17.4. VCR MECHANISM SECTION PARTS LIST

Note: 1. *Be sure to make your orders of replacement parts according to this list.
 2. IMPORTANT SAFETY NOTICE
 Components identified with the mark Δ have the special characteristics for safety. When replacing any of these components, use only the same type.
 3. Definition of Parts supplier:
 Parts without mark in the Remarks column are supplied from SPC.

Ref. No.	Part No.	Part Name & Description	Pcs	Remarks
501	VXA7735	MAIN CHASSIS U.	1	
501-4	VXR0401	T-REEL MOTOR	1	
503	VXA7624	CASSETTE UP U.	1	
503-1	VMB3766	CASSETTE UP SPRING	1	
503-2	VMB3766	CASSETTE UP SPRING	1	
504	VEG1659	CYLINDER U.	1	
B501	VHD1632	SCREW	1	
B502	VHD1585	SCREW	1	
B503	VHD1585	SCREW	1	
B504	VHD1585	SCREW	1	
B505	XQN14+B2FN	SCREW	1	
B506	XQN14+B2FN	SCREW	1	
B507	XQN14+B1FN	SCREW	1	

17.5. PACKING PARTS & ACCESSORIES SECTION PARTS LIST

Note: 1. *Be sure to make your orders of replacement parts according to this list.
 2. IMPORTANT SAFETY NOTICE
 Components identified with the mark Δ have the special characteristics for safety. When replacing any of these components, use only the same type.
 3. Definition of Parts supplier:
 Parts without mark in the Remarks column are supplied from SPC.
 4. Supply of CD-ROM, in accordance with license protection, is allowable as replacement parts only for customers who accidentally damaged or lost their own.

Ref. No.	Part No.	Part Name & Description	Pcs	Remarks
601	VPK2830	ACCESSORIES BOX	1	
602	VFC3506-1A	SHOULDER BELT	1	
603	K2KC4CB00009	AV CABLE	1	
604	K2GJ2DZ00017	DC CABLE	1	
605	K2CA2EA00005	AC CABLE	1	Δ
606	N2QAGC000018	REMOTE CONTROLLER	1	
607	N2QCB000030	UNIVERSAL REMOTE CONTROLLER	1	PV-GS200PP-S
608	VPF1190	POLYETHYLENE BAG	1	
609	VYF2973	HOOD CAP U.	1	
609-1	VGQ7270	HOOD STRAP	1	
610	VFA0425	USB CABLE	1	
611	PV-DAC14D	AC ADAPTOR	1	Δ
612	VPN6152	CUSHION	1	
613	VPG0X77	PACKING	1	PV-GS200PP-S
613	VPG0X97	PACKING	1	PV-GS120PP-S
614	VFA0428	SD CARD U.	1	
615	LSQT0799A	OPERATING INSTRUCTIONS	1	Δ
		(ENGLISH, FRENCH, SPANISH)		
616	VFF0231-S	CD-ROM	1	See "Notes"

17.6. ELECTRICAL REPLACEMENT PARTS LIST

Note: 1. Be sure to make your orders of replacement parts according to this list.
 2. IMPORTANT SAFETY NOTICE: Components identified with the mark Δ have the special characteristics for safety. When replacing any of these components, use only the same type.
 3. Unless otherwise specified.
 All resistors are in OHMS, K=1,000 OHMS. All capacitors are in MICROFARADS (μ F), P= μ F.
 4. The P.C. Board units marked with "■" show below the main assembled parts.
 5. The marking (RTL) indicates the retention time is limited for this item.
 After the discontinuation of this assembly in production, it will no longer be available.
 6. Definition of Parts supplier:
 Parts without mark in the Remarks column are supplied from SPC.

Ref. No.	Part No.	Part Name & Description	Pcs	Remarks
■	VEP03G57C	MAIN C.B.A.	1	(RTL) PV-GS200PP-S
■	VEP03G57H	MAIN C.B.A.	1	(RTL) PV-GS120PP-S
■	VEP23599A	SUB C.B.A.	1	(RTL) PV-GS200PP-S
■	VEP23602C	SUB C.B.A.	1	(RTL) PV-GS120PP-S
■	VEP001D4B	SIDE-L C.B.A.	1	(RTL)
■	VEP001C6A	JACK C.B.A.	1	(RTL)
■	VEP001D0A	SD HOLDER C.B.A.	1	(RTL)
■	VEP001C9A	R-RELAY C.B.A.	1	(RTL)
■	VEP001C8A	LCD DET C.B.A.	1	(RTL)
■	VEP001C2B	SD OPEN C.B.A.	1	(RTL)
■	VEP001G3A	PL C.B.A.	1	(RTL)
■	VEP08334B	MONITOR C.B.A.	1	(RTL) PV-GS200PP-S
■	VEP08336A	MONITOR C.B.A.	1	(RTL) PV-GS120PP-S
■	VEP29159A	EVF B/L C.B.A.	1	(RTL)
■	VEP04854A	FRONT C.B.A.	1	PV-GS200PP-S
■	VEP04854B	FRONT C.B.A.	1	PV-GS120PP-S
■	VEP001E6A	FLASH SW C.B.A.	1	
■	VEP03G57C	MAIN C.B.A.		(RTL) PV-GS200PP-S
■	VEP03G57H	MAIN C.B.A.		(RTL) PV-GS120PP-S
C602	F1G0J105A001	C. CAPACITOR CH 6.3V 1U	1	

Ref. No.	Part No.	Part Name & Description	Pcs	Remarks
C603	ECST0GY476Z	T.CAPACITOR CH 4V 47U	1	F3F0G476A009
C610	ECJ0EB1A104K	C.CAPACITOR CH 10V 0.1U	1	
C613	F1G0J105A001	C.CAPACITOR CH 6.3V 1U	1	
C614	F1H0J2250003	C.CAPACITOR CH 6.3V 2.2U	1	
C618	F1H0J2250003	C.CAPACITOR CH 6.3V 2.2U	1	
C619	F1H0J2250003	C.CAPACITOR CH 6.3V 2.2U	1	
C620	ECJ0EB1A104K	C.CAPACITOR CH 10V 0.1U	1	
C1001	F1J1A475A023	C.CAPACITOR CH 10V 4.7U	1	
C1002	F1J1A475A023	C.CAPACITOR CH 10V 4.7U	1	
C1011	F1H1A105A028	C.CAPACITOR CH 10V 1U	1	
C1012	F1J0J106A014	C.CAPACITOR CH 6.3V 10U	1	
C1013	ECJ0EB1E222K	C.CAPACITOR CH 25V 2200P	1	
C1021	F1H1A105A028	C.CAPACITOR CH 10V 1U	1	
C1022	F1J0J106A014	C.CAPACITOR CH 6.3V 10U	1	
C1023	ECJ0EB1E102K	C.CAPACITOR CH 25V 1000P	1	
C1024	ECJ0EB1C223K	C.CAPACITOR CH 16V 0.022U	1	
C1031	F1H1A105A028	C.CAPACITOR CH 10V 1U	1	
C1032	F1J0J106A014	C.CAPACITOR CH 6.3V 10U	1	
C1033	ECJ0EB1E222K	C.CAPACITOR CH 25V 2200P	1	PV-GS200PP-S
C1033	ECJ0EB1E472K	C.CAPACITOR CH 25V 4700P	1	PV-GS120PP-S
C1041	F1H1A105A028	C.CAPACITOR CH 10V 1U	1	
C1042	F1J0J106A014	C.CAPACITOR CH 6.3V 10U	1	
C1043	ECJ0EB1E222K	C.CAPACITOR CH 25V 2200P	1	
C1051	F1H1A105A028	C.CAPACITOR CH 10V 1U	1	
C1052	F1H1C105A095	C.CAPACITOR CH 16V 1U	1	
C1053	ECJ0EB1E222K	C.CAPACITOR CH 25V 2200P	1	
C1054	ECJ0EB1C103K	C.CAPACITOR CH 16V 0.01U	1	
C1056	F1H1C105A095	C.CAPACITOR CH 16V 1U	1	
C1061	F1J1A335A005	C.CAPACITOR CH 10V 3.3U	1	
C1062	F1J1A335A005	C.CAPACITOR CH 10V 3.3U	1	
C1071	F1J1E105A080	C.CAPACITOR CH 25V 1U	1	
C1081	F1H1C105A095	C.CAPACITOR CH 16V 1U	1	
C1091	F1H1C105A095	C.CAPACITOR CH 16V 1U	1	PV-GS120PP-S
C1101	ECJ0EB1A104K	C.CAPACITOR CH 10V 0.1U	1	
C1102	ECJ0EC1H101J	C.CAPACITOR CH 50V 100P	1	
C1103	ECUE1C333KBQ	C.CAPACITOR CH 16V 0.033U	1	F1G1C333A004
C1104	ECJ0EB1A104K	C.CAPACITOR CH 10V 0.1U	1	
C1105	F1G0J105A001	C.CAPACITOR CH 6.3V 1U	1	
C1106	F1G0J105A001	C.CAPACITOR CH 6.3V 1U	1	
C1111	ECJ0EB1A473K	C.CAPACITOR CH 10V 0.047U	1	

Ref. No.	Part No.	Part Name & Description	Pcs	Remarks
C1113	ECJ0EB1A104K	C.CAPACITOR CH 10V 0.1U	1	
C1121	ECJ0EB1A473K	C.CAPACITOR CH 10V 0.047U	1	
C1122	ECJ0EB1A473K	C.CAPACITOR CH 10V 0.047U	1	
C1131	ECJ0EB1A473K	C.CAPACITOR CH 10V 0.047U	1	
C1141	ECJ0EB1A473K	C.CAPACITOR CH 10V 0.047U	1	
C1143	ECJ0EB1A104K	C.CAPACITOR CH 10V 0.1U	1	
C1151	ECJ0EB1A473K	C.CAPACITOR CH 10V 0.047U	1	
C1153	ECJ0EB1C103K	C.CAPACITOR CH 16V 0.01U	1	
C1154	ECJ0EB1C103K	C.CAPACITOR CH 16V 0.01U	1	
C1211	F1H1A105A028	C.CAPACITOR CH 10V 1U	1	
C1214	F1H1A105A028	C.CAPACITOR CH 10V 1U	1	
C1218	ECST0JY106R	T.CAPACITOR CH 6.3V 10U	1	
C1221	F1G0J105A001	C.CAPACITOR CH 6.3V 1U	1	
C1223	F1G0J105A001	C.CAPACITOR CH 6.3V 1U	1	
C1224	F1G0J105A001	C.CAPACITOR CH 6.3V 1U	1	
C1226	F1G0J105A001	C.CAPACITOR CH 6.3V 1U	1	
C1228	ECST0JY106R	T.CAPACITOR CH 6.3V 10U	1	
C1241	F1G0J105A001	C.CAPACITOR CH 6.3V 1U	1	
C1249	ECST0GY476Z	T.CAPACITOR CH 4V 47U	1	F3F0G476A009
C1251	F1H1C105A095	C.CAPACITOR CH 16V 1U	1	
C1271	F1J1E105A080	C.CAPACITOR CH 25V 1U	1	
C1281	F1H1C105A095	C.CAPACITOR CH 16V 1U	1	
C1282	F1H1C105A095	C.CAPACITOR CH 16V 1U	1	PV-GS120PP-S
C1291	F1H1C105A095	C.CAPACITOR CH 16V 1U	1	PV-GS120PP-S
C1322	F1G0J105A001	C.CAPACITOR CH 6.3V 1U	1	
C1323	F1G0J105A001	C.CAPACITOR CH 6.3V 1U	1	
C1326	F1G0J105A001	C.CAPACITOR CH 6.3V 1U	1	
C1328	F1H0J475A009	C.CAPACITOR CH 6.3V 4.7U	1	
C1380	ECJ1VB0J105K	C.CAPACITOR CH 6.3V 1U	1	
C1401	ECJ0EB1C103K	C.CAPACITOR CH 16V 0.01U	1	
C1411	F1H0J475A009	C.CAPACITOR CH 6.3V 4.7U	1	
C1421	F1H0J475A009	C.CAPACITOR CH 6.3V 4.7U	1	
C2004	ECJ0EB1C103K	C.CAPACITOR CH 16V 0.01U	1	
C2005	ECST0JY226R	T.CAPACITOR CH 6.3V 22U	1	
C2006	ECST0JY106R	T.CAPACITOR CH 6.3V 10U	1	
C2007	ECJ0EB1A104K	C.CAPACITOR CH 10V 0.1U	1	
C2008	ECST0JY106R	T.CAPACITOR CH 6.3V 10U	1	
C2009	ECJ0EB1A104K	C.CAPACITOR CH 10V 0.1U	1	
C2010	ECJ0EB1A104K	C.CAPACITOR CH 10V 0.1U	1	
C2012	ECJ0EB1A104K	C.CAPACITOR CH 10V 0.1U	1	

Ref. No.	Part No.	Part Name & Description	Pcs	Remarks
C2014	ECJ0EB1C103K	C.CAPACITOR CH 16V 0.01U	1	
C2015	ECJ0EB1C103K	C.CAPACITOR CH 16V 0.01U	1	
C2016	ECJ0EB1A104K	C.CAPACITOR CH 10V 0.1U	1	
C2017	ECJ0EB1C103K	C.CAPACITOR CH 16V 0.01U	1	
C2018	ECJ0EB1C103K	C.CAPACITOR CH 16V 0.01U	1	
C2020	ECJ0EB1C103K	C.CAPACITOR CH 16V 0.01U	1	
C2022	ECJ0EB1C103K	C.CAPACITOR CH 16V 0.01U	1	
C2023	ECJ0EB1C103K	C.CAPACITOR CH 16V 0.01U	1	
C2024	ECJ0EB1A104K	C.CAPACITOR CH 10V 0.1U	1	
C2025	ECJ0EB1C103K	C.CAPACITOR CH 16V 0.01U	1	
C2026	ECJ0EB1C103K	C.CAPACITOR CH 16V 0.01U	1	
C2047	ECJ0EB1C103K	C.CAPACITOR CH 16V 0.01U	1	
C2062	ECJ0EC1H050C	C.CAPACITOR CH 50V 5P	1	
C2063	ECJ0EC1H050C	C.CAPACITOR CH 50V 5P	1	
C2064	ECJ0EB1C103K	C.CAPACITOR CH 16V 0.01U	1	
C2070	ECJ0EB1C103K	C.CAPACITOR CH 16V 0.01U	1	
C2075	ECJ0EB1C103K	C.CAPACITOR CH 16V 0.01U	1	
C2076	ECJ0EB1A104K	C.CAPACITOR CH 10V 0.1U	1	
C2084	ECJ0EB1A104K	C.CAPACITOR CH 10V 0.1U	1	
C2090	F1G0J105A001	C.CAPACITOR CH 6.3V 1U	1	
C2091	ECJ0EB1A104K	C.CAPACITOR CH 10V 0.1U	1	
C2201	F1G0J105A001	C.CAPACITOR CH 6.3V 1U	1	
C2202	F1G0J105A001	C.CAPACITOR CH 6.3V 1U	1	
C2203	ECST0JY106R	T.CAPACITOR CH 6.3V 10U	1	
C2204	ECJ0EC1H470J	C.CAPACITOR CH 50V 47P	1	F1G1H470A469
C2205	ECJ0EB1A104K	C.CAPACITOR CH 10V 0.1U	1	
C2206	ECJ0EB1A104K	C.CAPACITOR CH 10V 0.1U	1	
C2207	ECJ0EB1A104K	C.CAPACITOR CH 10V 0.1U	1	
C2208	ECJ0EB1A104K	C.CAPACITOR CH 10V 0.1U	1	
C2209	ECJ0EB1A104K	C.CAPACITOR CH 10V 0.1U	1	
C2212	F1G0J105A001	C.CAPACITOR CH 6.3V 1U	1	
C2213	ECJ0EB1C103K	C.CAPACITOR CH 16V 0.01U	1	
C2216	F1G0J105A001	C.CAPACITOR CH 6.3V 1U	1	
C2217	ECJ0EB1A104K	C.CAPACITOR CH 10V 0.1U	1	
C2218	ECJ0EB1A104K	C.CAPACITOR CH 10V 0.1U	1	
C2219	ECJ0EB1A104K	C.CAPACITOR CH 10V 0.1U	1	
C2220	ECJ0EB1A104K	C.CAPACITOR CH 10V 0.1U	1	
C2221	F1G0J105A001	C.CAPACITOR CH 6.3V 1U	1	
C2222	ECJ0EB1E472K	C.CAPACITOR CH 25V 4700P	1	
C2223	ECJ0EB1E472K	C.CAPACITOR CH 25V 4700P	1	

Ref. No.	Part No.	Part Name & Description	Pcs	Remarks
C2225	F1G0J105A001	C.CAPACITOR CH 6.3V 1U	1	
C2226	ECST0JY226R	T.CAPACITOR CH 6.3V 22U	1	
C2230	ECJ0EC1H101J	C.CAPACITOR CH 50V 100P	1	
C2231	F1H1C105A095	C.CAPACITOR CH 16V 1U	1	
C2232	ECJ0EB1C103K	C.CAPACITOR CH 16V 0.01U	1	
C3001	ECJ0EB1A104K	C.CAPACITOR CH 10V 0.1U	1	
C3003	ECJ0EC1H050C	C.CAPACITOR CH 50V 5P	1	
C3004	F1J0J106A014	C.CAPACITOR CH 6.3V 10U	1	
C3005	F1J0J106A014	C.CAPACITOR CH 6.3V 10U	1	
C3014	ECJ0EB1A104K	C.CAPACITOR CH 10V 0.1U	1	
C3015	ECJ0EB1A104K	C.CAPACITOR CH 10V 0.1U	1	
C3016	ECJ0EB1A104K	C.CAPACITOR CH 10V 0.1U	1	
C3017	ECJ0EB1A104K	C.CAPACITOR CH 10V 0.1U	1	
C3018	ECJ0EB1A104K	C.CAPACITOR CH 10V 0.1U	1	
C3019	ECJ0EB1A104K	C.CAPACITOR CH 10V 0.1U	1	
C3026	ECJ0EB1A104K	C.CAPACITOR CH 10V 0.1U	1	
C3027	F1G0J105A001	C.CAPACITOR CH 6.3V 1U	1	
C3028	ECJ0EB1A104K	C.CAPACITOR CH 10V 0.1U	1	
C3030	F1H0J475A009	C.CAPACITOR CH 6.3V 4.7U	1	
C3032	ECJ0EB1A104K	C.CAPACITOR CH 10V 0.1U	1	
C3039	ECJ0EC1H220J	C.CAPACITOR CH 50V 22P	1	
C3040	ECJ0EC1H220J	C.CAPACITOR CH 50V 22P	1	
C3043	F1G0J105A001	C.CAPACITOR CH 6.3V 1U	1	
C3044	ECJ0EC1H221J	C.CAPACITOR CH 50V 220P	1	
C3045	F1H0J475A009	C.CAPACITOR CH 6.3V 4.7U	1	
C3046	ECST0JY226R	T.CAPACITOR CH 6.3V 22U	1	
C3052	F1H0J475A009	C.CAPACITOR CH 6.3V 4.7U	1	
C3057	ECJ0EB1C103K	C.CAPACITOR CH 16V 0.01U	1	
C3058	ECJ0EB1A104K	C.CAPACITOR CH 10V 0.1U	1	
C3059	ECJ0EB1C103K	C.CAPACITOR CH 16V 0.01U	1	
C3060	ECJ0EB1A104K	C.CAPACITOR CH 10V 0.1U	1	
C3061	ECJ0EB1A104K	C.CAPACITOR CH 10V 0.1U	1	
C3062	ECJ0EB1A104K	C.CAPACITOR CH 10V 0.1U	1	
C3063	ECJ0EB1A104K	C.CAPACITOR CH 10V 0.1U	1	
C3064	ECJ0EB1A104K	C.CAPACITOR CH 10V 0.1U	1	
C3066	ECJ0EC1H150J	C.CAPACITOR CH 50V 15P	1	
C3067	ECJ0EC1H150J	C.CAPACITOR CH 50V 15P	1	
C3068	F1G0J105A001	C.CAPACITOR CH 6.3V 1U	1	
C3074	F1J0J106A014	C.CAPACITOR CH 6.3V 10U	1	
C3078	F1J0J106A014	C.CAPACITOR CH 6.3V 10U	1	

Ref. No.	Part No.	Part Name & Description	Pcs	Remarks
C3080	F1G0J105A001	C.CAPACITOR CH 6.3V 1U	1	
C3201	ECJ0EB1A104K	C.CAPACITOR CH 10V 0.1U	1	
C3202	F1H0J475A009	C.CAPACITOR CH 6.3V 4.7U	1	
C3203	F1H0J475A009	C.CAPACITOR CH 6.3V 4.7U	1	
C3204	ECJ0EB1A104K	C.CAPACITOR CH 10V 0.1U	1	
C3205	ECJ0EB1A104K	C.CAPACITOR CH 10V 0.1U	1	
C3206	ECJ0EB1A104K	C.CAPACITOR CH 10V 0.1U	1	
C3207	ECJ0EB1A104K	C.CAPACITOR CH 10V 0.1U	1	
C3208	ECJ0EB1A104K	C.CAPACITOR CH 10V 0.1U	1	
C3209	ECJ0EB1C103K	C.CAPACITOR CH 16V 0.01U	1	
C3210	F1J0J106A014	C.CAPACITOR CH 6.3V 10U	1	
C3212	ECJ0EB1A104K	C.CAPACITOR CH 10V 0.1U	1	
C3213	ECJ0EB1A104K	C.CAPACITOR CH 10V 0.1U	1	
C3215	ECJ0EB1A104K	C.CAPACITOR CH 10V 0.1U	1	
C3218	ECJ0EB1A104K	C.CAPACITOR CH 10V 0.1U	1	
C3219	ECJ0EB1A104K	C.CAPACITOR CH 10V 0.1U	1	
C3220	ECJ0EB1A104K	C.CAPACITOR CH 10V 0.1U	1	
C3221	F1H0J475A009	C.CAPACITOR CH 6.3V 4.7U	1	
C3229	ECJ0EB1A104K	C.CAPACITOR CH 10V 0.1U	1	
C3301	F1H0J475A009	C.CAPACITOR CH 6.3V 4.7U	1	
C3302	F1G0J105A001	C.CAPACITOR CH 6.3V 1U	1	
C3303	ECJ0EB1A104K	C.CAPACITOR CH 10V 0.1U	1	
C3304	ECST0JY226R	T.CAPACITOR CH 6.3V 22U	1	
C3305	F1J0J106A014	C.CAPACITOR CH 6.3V 10U	1	
C3306	ECJ0EB1A104K	C.CAPACITOR CH 10V 0.1U	1	
C3307	F1J0J106A014	C.CAPACITOR CH 6.3V 10U	1	
C3308	F1G0J224A004	C.CAPACITOR CH 6.3V 0.22U	1	
C3310	ECST0JY226R	T.CAPACITOR CH 6.3V 22U	1	
C3311	ECJ0EB1C103K	C.CAPACITOR CH 16V 0.01U	1	
C3312	F1J0J106A014	C.CAPACITOR CH 6.3V 10U	1	
C3313	F1J0J106A014	C.CAPACITOR CH 6.3V 10U	1	
C3314	ECST0JY226R	T.CAPACITOR CH 6.3V 22U	1	
C3315	F1G0J105A001	C.CAPACITOR CH 6.3V 1U	1	
C3316	F1H0J2250003	C.CAPACITOR CH 6.3V 2.2U	1	
C3317	ECJ0EB1A104K	C.CAPACITOR CH 10V 0.1U	1	
C3318	F1G0J105A001	C.CAPACITOR CH 6.3V 1U	1	
C3319	ECJ0EB1C103K	C.CAPACITOR CH 16V 0.01U	1	
C3321	F1G0J105A001	C.CAPACITOR CH 6.3V 1U	1	
C3322	F1G0J105A001	C.CAPACITOR CH 6.3V 1U	1	
C3323	ECJ0EB1A104K	C.CAPACITOR CH 10V 0.1U	1	

Ref. No.	Part No.	Part Name & Description	Pcs	Remarks
C3324	ECJ0EB1C103K	C.CAPACITOR CH 16V 0.01U	1	
C3327	F1G0J105A001	C.CAPACITOR CH 6.3V 1U	1	
C3330	F3H0J1070005	E.CAPACITOR CH 6.3V 100U	1	
C3331	F1G0J105A001	C.CAPACITOR CH 6.3V 1U	1	
C3332	F3H0J1070005	E.CAPACITOR CH 6.3V 100U	1	
C3333	ECJ0EB1A104K	C.CAPACITOR CH 10V 0.1U	1	
C3341	F1G0J105A001	C.CAPACITOR CH 6.3V 1U	1	
C3342	F1G0J105A001	C.CAPACITOR CH 6.3V 1U	1	
C3343	F1G0J105A001	C.CAPACITOR CH 6.3V 1U	1	
C3344	F1G0J105A001	C.CAPACITOR CH 6.3V 1U	1	
C3501	F1G0J105A001	C.CAPACITOR CH 6.3V 1U	1	
C3502	F1G0J105A001	C.CAPACITOR CH 6.3V 1U	1	
C3503	F1G0J105A001	C.CAPACITOR CH 6.3V 1U	1	
C3504	ECJ0EB1C103K	C.CAPACITOR CH 16V 0.01U	1	
C3505	ECJ0EB1C103K	C.CAPACITOR CH 16V 0.01U	1	
C3506	ECJ0EB1A104K	C.CAPACITOR CH 10V 0.1U	1	
C3507	ECJ0EB1C103K	C.CAPACITOR CH 16V 0.01U	1	
C3508	ECJ0EB1C103K	C.CAPACITOR CH 16V 0.01U	1	
C3509	ECJ0EB1A104K	C.CAPACITOR CH 10V 0.1U	1	
C3510	ECJ0EB1A104K	C.CAPACITOR CH 10V 0.1U	1	
C3511	ECJ0EB1C103K	C.CAPACITOR CH 16V 0.01U	1	
C3512	ECJ0EB1A104K	C.CAPACITOR CH 10V 0.1U	1	
C3513	ECJ0EB1A104K	C.CAPACITOR CH 10V 0.1U	1	
C3514	ECJ0EB1E102K	C.CAPACITOR CH 25V 1000P	1	
C3515	ECJ0EB1E102K	C.CAPACITOR CH 25V 1000P	1	
C3516	ECJ0EB1A104K	C.CAPACITOR CH 10V 0.1U	1	
C3518	ECJ0EB1C103K	C.CAPACITOR CH 16V 0.01U	1	
C3519	ECJ0EB1C103K	C.CAPACITOR CH 16V 0.01U	1	
C3520	ECJ0EB1C103K	C.CAPACITOR CH 16V 0.01U	1	
C3521	ECJ0EB1C103K	C.CAPACITOR CH 16V 0.01U	1	
C3522	ECJ0EB1C103K	C.CAPACITOR CH 16V 0.01U	1	
C3523	ECJ0EB1C103K	C.CAPACITOR CH 16V 0.01U	1	
C3551	ECJ0EC1H220J	C.CAPACITOR CH 50V 22P	1	
C3552	ECJ0EC1H560J	C.CAPACITOR CH 50V 56P	1	
C3553	ECJ0EC1H560J	C.CAPACITOR CH 50V 56P	1	
C3554	ECJ0EC1H220J	C.CAPACITOR CH 50V 22P	1	
C3556	F1H0J475A009	C.CAPACITOR CH 6.3V 4.7U	1	
C3558	ECJ0EB1C103K	C.CAPACITOR CH 16V 0.01U	1	
C3559	ECJ0EB1C103K	C.CAPACITOR CH 16V 0.01U	1	
C3560	ECJ0EB1C103K	C.CAPACITOR CH 16V 0.01U	1	

Ref. No.	Part No.	Part Name & Description	Pcs	Remarks
C3561	ECJ0EC1H220J	C.CAPACITOR CH 50V 22P	1	
C3562	ECJ0EC1H560J	C.CAPACITOR CH 50V 56P	1	
C3563	ECJ0EC1H390J	C.CAPACITOR CH 50V 39P	1	
C3566	ECJ0EB1C103K	C.CAPACITOR CH 16V 0.01U	1	
C3569	ECJ0EB1C103K	C.CAPACITOR CH 16V 0.01U	1	
C3570	ECJ0EB1A104K	C.CAPACITOR CH 10V 0.1U	1	
C5001	F3F0J4760002	E.CAPACITOR CH 6.3V 47U	1	
C5002	ECST0JY106R	T.CAPACITOR CH 6.3V 10U	1	
C5003	ECJ0EB1A104K	C.CAPACITOR CH 10V 0.1U	1	
C5005	ECUX1E681KBQ	C.CAPACITOR CH 25V 680P	1	ECJ0EB1E681K
C5008	ECJ0EB1C103K	C.CAPACITOR CH 16V 0.01U	1	
C5012	ECJ0EB1A104K	C.CAPACITOR CH 10V 0.1U	1	
C5013	ECJ0EB1C103K	C.CAPACITOR CH 16V 0.01U	1	
C5014	ECJ0EC1H470J	C.CAPACITOR CH 50V 47P	1	F1G1H470A469
C5021	ECJ0EC1H080C	C.CAPACITOR CH 50V 8P	1	
C5022	ECJ0EC1H080C	C.CAPACITOR CH 50V 8P	1	
C5023	ECJ0EC1H080C	C.CAPACITOR CH 50V 8P	1	
C5024	ECJ0EC1H080C	C.CAPACITOR CH 50V 8P	1	
C6501	F1G0J105A001	C.CAPACITOR CH 6.3V 1U	1	
C6502	ECJ0EB1A104K	C.CAPACITOR CH 10V 0.1U	1	
C6503	ECJ0EB1A104K	C.CAPACITOR CH 10V 0.1U	1	
D1011	B0JCMD000022	SCHOTTKY BARRIER DIODE	1	
D1021	B0JCMD000022	SCHOTTKY BARRIER DIODE	1	
D1031	B0JCMD000022	SCHOTTKY BARRIER DIODE	1	
D1041	B0JCMD000022	SCHOTTKY BARRIER DIODE	1	
D1051	MA2J11100L	DIODE	1	
D1071	MA2J11100L	DIODE	1	
D1081	MA2J11100L	DIODE	1	
D1091	MA2J11100L	DIODE	1	PV-GS120PP-S
D1101	MA8110MTX	DIODE	1	MAZ81100ML
D1102	B0ACCCJ000025	DIODE	1	
D1151	MA8150LTX	DIODE	1	PV-GS120PP-S MAZ81500LL
D1152	MA2J11100L	DIODE	1	PV-GS120PP-S
D1421	MA2J11100L	DIODE	1	
D2001	MA2J11100L	DIODE	1	
D2002	MA2SD2400L	DIODE	1	
D2003	MA3S13300L	DIODE	1	
D2004	MA2SD2400L	DIODE	1	
D2008	MA2SD2400L	DIODE	1	
D2201	MA3S13300L	DIODE	1	
D3301	MA2SD2400L	DIODE	1	
FP601	K1MN26A00060	CONNECTOR 26P	1	
FP603	K1MN18A00055	CONNECTOR 18P	1	
FP1001	VJS4273B014	CONNECTOR (FEMALE) 14P	1	
FP2001	K1MN16B00137	CONNECTOR 16P	1	
FP2201	VJS3930B018	CONNECTOR (FEMALE) 18P	1	
FP2202	K1MN10B00080	CONNECTOR 10P	1	
FP2203	K1MN18B00089	CONNECTOR 18P	1	

Ref. No.	Part No.	Part Name & Description	Pcs	Remarks
FP2204	VJS4274B008	CONNECTOR (FEMALE) 8P	1	
FP3401	K1MN14A00079	CONNECTOR 14P	1	
FP5001	VJS3931B008	CONNECTOR (FEMALE) 8P	1	
FP6501	VJS3971D021	CONNECTOR (FEMALE) 21P	1	K1MN21B00016
FP6502	VJS3931D014	CONNECTOR (FEMALE) 14P	1	K1MN14B00069
FP6503	K1MN10A00067	CONNECTOR 10P	1	
FP6504	VJS3971B033	CONNECTOR (FEMALE) 33P	1	
FP6505	VJS3971D021	CONNECTOR (FEMALE) 21P	1	K1MN21B00016
IC601	C1AB00001842	IC	1	
IC602	C0DBZGA00011	IC	1	
IC1001	C0DBAZZ00073	IC	1	
IC1321	C0CBCAC00161	IC	1	
IC1322	C0CBCAC00117	IC	1	
IC2006	C3EBGG000016	IC	1	
IC2009	C1AB00001970	IC	1	
IC2012	C0CBABC00137	IC	1	
IC2014	C0CBCAC00129	IC	1	
IC2015	C0CBAAA00016	IC	1	
IC2017	C0EBD0000281	IC	1	
IC2018	C0JBAAZ002139	IC	1	
IC2019	C0JBAAZ002139	IC	1	
IC2201	C1AB00001752	IC	1	
IC2202	NJM2143R	IC	1	C0ABAA000045
IC3001	C1AB00001962	IC	1	
IC3201	C1AB00001695	IC	1	
IC3301	C1AB00001894	IC	1	
IC3501	C1AB00001904	IC	1	
IC3502	NJM2143R	IC	1	C0ABAA000045
IC3503	BA7653AFV	IC	1	C9ZB00000281
IC5001	AN3732FJMBFV	IC	1	
IP1001	K5H4021A0004	FUSE	1	△
L1011	G1C680MA0024	CHIP INDUCTOR 68UH	1	
L1021	G1C100MA0084	CHIP INDUCTOR 10UH	1	PV-GS200PP-S
L1021	G1C150MA0084	CHIP INDUCTOR 15UH	1	PV-GS120PP-S
L1031	G1C330MA0024	CHIP INDUCTOR 33UH	1	PV-GS200PP-S
L1031	G1C560MA0024	CHIP INDUCTOR 56UH	1	PV-GS120PP-S
L1041	G1C100MA0084	CHIP INDUCTOR 10UH	1	
L1061	G1C330MA0085	CHIP INDUCTOR 33UH	1	
L1062	G1C181MA0024	CHIP INDUCTOR 180UH	1	
L1211	G1C4R7MA0073	CHIP INDUCTOR 4.7UH	1	
L1214	G1C4R7MA0073	CHIP INDUCTOR 4.7UH	1	
L1221	G1C4R7MA0073	CHIP INDUCTOR 4.7UH	1	
L1223	G1C4R7MA0076	CHIP INDUCTOR 4.7UH	1	
L1224	G1C4R7MA0076	CHIP INDUCTOR 4.7UH	1	
L1226	G1C4R7MA0073	CHIP INDUCTOR 4.7UH	1	
L1241	G1C4R7MA0073	CHIP INDUCTOR 4.7UH	1	
L1251	G1C4R7MA0076	CHIP INDUCTOR 4.7UH	1	
L1271	G1C4R7MA0076	CHIP INDUCTOR 4.7UH	1	
L1281	G1C4R7MA0076	CHIP INDUCTOR 4.7UH	1	
L1282	G1C4R7MA0076	CHIP INDUCTOR 4.7UH	1	PV-GS120PP-S
L1291	G1C4R7MA0076	CHIP INDUCTOR 4.7UH	1	PV-GS120PP-S
L1321	G1C4R7MA0076	CHIP INDUCTOR 4.7UH	1	
L1322	G1C4R7MA0076	CHIP INDUCTOR 4.7UH	1	

Ref. No.	Part No.	Part Name & Description	Pcs	Remarks
L3019	G1C100MA0060	CHIP INDUCTOR 10UH	1	
L3025	G1C100KA0055	CHIP INDUCTOR 10UH	1	
L3027	G1C100KA0055	CHIP INDUCTOR 10UH	1	
L3204	G1C101KA0055	CHIP INDUCTOR 100UH	1	
L3301	G1C100KA0055	CHIP INDUCTOR 10UH	1	
L3302	G1C330MA0110	CHIP INDUCTOR 33UH	1	
L3303	G1C100KA0055	CHIP INDUCTOR 10UH	1	
L3304	G1C100KA0055	CHIP INDUCTOR 10UH	1	
L3305	G1C100KA0055	CHIP INDUCTOR 10UH	1	
L3501	G1C100KA0055	CHIP INDUCTOR 10UH	1	
L3505	G1C330K00017	CHIP INDUCTOR 33UH	1	
L3506	G1C330K00017	CHIP INDUCTOR 33UH	1	
L3507	G1C330K00017	CHIP INDUCTOR 33UH	1	
L3508	G1C330K00017	CHIP INDUCTOR 33UH	1	
L3509	G1C330K00017	CHIP INDUCTOR 33UH	1	
L5001	G1C101KA0055	CHIP INDUCTOR 100UH	1	
L5002	G1C220KA0055	CHIP INDUCTOR 22UH	1	
LB1001	VLP0332A420	CHIP BEAD	1	J0JHC0000017
LB3001	J0JAC0000014	FILTER	1	J0JAC0000016
LB3002	J0JAC0000014	FILTER	1	J0JAC0000016
LB3003	J0JBC0000115	INDUCTOR	1	
LB3004	J0JAC0000014	FILTER	1	J0JAC0000016
LB3007	J0JHC0000032	FILTER	1	
LB3011	J0JAC0000014	FILTER	1	J0JAC0000016
LB3012	J0JAC0000014	FILTER	1	J0JAC0000016
LB3013	J0JAC0000014	FILTER	1	J0JAC0000016
LB3201	J0JAC0000014	FILTER	1	J0JAC0000016
LB3203	J0JAC0000014	FILTER	1	J0JAC0000016
LB3301	VLF1144A102	COIL 1000UH	1	
LB3501	J0JBC0000054	INDUCTOR	1	J0JBC0000059
LB3502	J0JBC0000054	INDUCTOR	1	J0JBC0000059
PP3001	K1KA20B00141	CONNECTOR	1	
PS3001	K1KBF0A00003	CONNECTOR	1	PV-GS200PP-S
PS3001	K1KBA0A00097	CONNECTOR	1	PV-GS120PP-S
Q601	B1ABBE000002	TRANSISTOR	1	
Q602	B1ABBE000002	TRANSISTOR	1	
Q603	B1ABBE000002	TRANSISTOR	1	
Q1011	B1DHCC000034	TRANSISTOR	1	
Q1021	B1DHCC000034	TRANSISTOR	1	
Q1031	B1DHCC000034	TRANSISTOR	1	
Q1041	B1DHCC000034	TRANSISTOR	1	
Q1042	B1DFCD000012	TRANSISTOR	1	
Q1051	B1DFCG000011	TRANSISTOR	1	
Q1061	B1ZBZ0000040	TRANSISTOR	1	
Q1062	B1ZBZ0000040	TRANSISTOR	1	
Q1101	B1ABBE000002	TRANSISTOR	1	
Q1381	B1ADBE000001	TRANSISTOR	1	
Q1382	XP1501	TRANSISTOR-TRANSISTOR	1	XP01501
Q1383	B1ADBE000001	TRANSISTOR	1	PV-GS200PP-S
Q1384	XP1501	TRANSISTOR-TRANSISTOR	1	PV-GS200PP-S XP01501
Q1391	B1ABBE000002	TRANSISTOR	1	PV-GS120PP-S
Q1392	XP1401	TRANSISTOR-TRANSISTOR	1	PV-GS120PP-S XP01401
Q1412	2SB970-R	TRANSISTOR	1	2SB09700R
Q1413	B1ABBE000002	TRANSISTOR	1	
Q1421	2SB970-R	TRANSISTOR	1	2SB09700R
Q1422	B1ABBE000002	TRANSISTOR	1	
Q1482	B1ABBE000002	TRANSISTOR	1	
Q2001	2SB970-R	TRANSISTOR	1	2SB09700R
Q2002	B1CHHD000003	TRANSISTOR	1	
Q2003	2SD1820	TRANSISTOR	1	
Q2004	B1CHHD000003	TRANSISTOR	1	
Q2005	2SB970-R	TRANSISTOR	1	2SB09700R
Q3301	B1ABBE000002	TRANSISTOR	1	
Q3302	B1ABBE000002	TRANSISTOR	1	
Q3303	B1ABBE000002	TRANSISTOR	1	

Ref. No.	Part No.	Part Name & Description	Pcs	Remarks
Q3503	XP0460100L	TRANSISTOR	1	
Q3504	2SB1218A-R	TRANSISTOR	1	2SB1218AR
Q3505	B1ABBE000002	TRANSISTOR	1	
Q3506	XP0460100L	TRANSISTOR	1	
QR1001	B1GDBEHH0001	TRANSISTOR-RESISTOR	1	
QR1002	B1GBBEKM0001	TRANSISTOR-RESISTOR	1	
QR1101	B1GDBEHH0001	TRANSISTOR-RESISTOR	1	
QR1102	B1GDBEHH0002	TRANSISTOR-RESISTOR	1	
QR1103	UN9114	TRANSISTOR-RESISTOR	1	UNR9114
QR1104	UN9214JTX	TRANSISTOR-RESISTOR	1	
QR1111	UN9214JTX	TRANSISTOR-RESISTOR	1	
QR1141	UN9214JTX	TRANSISTOR-RESISTOR	1	
QR1401	UNR911NJ0L	TRANSISTOR-RESISTOR	1	
QR1411	XP0431N00L	TRANSISTOR	1	
QR1413	B1GDBEHH0001	TRANSISTOR-RESISTOR	1	
QR1491	B1GDBEHH0001	TRANSISTOR-RESISTOR	1	PV-GS120PP-S
QR2001	B1GBBEMM0001	TRANSISTOR-RESISTOR	1	PV-GS200PP-S
QR2002	UNR9115J0L	TRANSISTOR	1	
QR2003	B1GBBEMK0001	TRANSISTOR-RESISTOR	1	
QR2004	B1GBBEMM0001	TRANSISTOR-RESISTOR	1	
QR2005	UNR9115J0L	TRANSISTOR	1	
QR2006	XP4115	TRANSISTOR-RESISTOR	1	XP04115
QR2007	B1GDBEFA0001	TRANSISTOR-RESISTOR	1	
QR2008	UN921F	TRANSISTOR	1	
QR2009	B1GDBEHH0001	TRANSISTOR-RESISTOR	1	
QR2010	UN921F	TRANSISTOR	1	
QR3001	B1GDBEHH0002	TRANSISTOR-RESISTOR	1	
QR3501	B1GDBEFH0001	TRANSISTOR-RESISTOR	1	
QR3502	B1GBBEKK0001	TRANSISTOR-RESISTOR	1	
R602	ERJ6GEY0R00V	M. RESISTOR CH 1/8W 0	1	DOGBR00JA017
R603	ERJ6GEY0R00V	M. RESISTOR CH 1/8W 0	1	DOGBR00JA017
R604	ERJ2GEJ101Y	M. RESISTOR CH 1/16W 100	1	
R605	ERJ2GEJ101Y	M. RESISTOR CH 1/16W 100	1	
R606	ERJ2GEJ101Y	M. RESISTOR CH 1/16W 100	1	
R607	ERJ2GEJ101Y	M. RESISTOR CH 1/16W 100	1	
R608	ERJ3GEY0R00A	M. RESISTOR CH 1/10W 0	1	
R609	ERJ2GEJ102	M. RESISTOR CH 1/16W 1K	1	
R611	ERJ2GEJ121	M. RESISTOR CH 1/16W 120	1	
R612	ERJ2GEJ390X	M. RESISTOR CH 1/16W 39	1	ERJ2RMJ390X
R614	ERJ2RHD471	M. RESISTOR CH 1/16W 470	1	
R615	ERJ2RHD102	M. RESISTOR CH 1/16W 1K	1	
R616	ERJ2GEJ102	M. RESISTOR CH 1/16W 1K	1	
R617	ERJ2GEJ102	M. RESISTOR CH 1/16W 1K	1	

Ref. No.	Part No.	Part Name & Description	Pcs	Remarks
R640	ERJ2GEJ101Y	M.RESISTOR CH 1/16W 100	1	
R641	ERJ2GEJ101Y	M.RESISTOR CH 1/16W 100	1	
R642	ERJ2GEJ101Y	M.RESISTOR CH 1/16W 100	1	
R1011	ERJ6RBB822	M.RESISTOR CH 1/10W 8.2K	1	
R1014	ERJ2RHD201	M.RESISTOR CH 1/16W 200	1	
R1015	ERJ6RBB272	M.RESISTOR CH 1/10W 2.7K	1	
R1021	ERJ2RHD392	M.RESISTOR CH 1/16W 3.9K	1	
R1024	ERJ2RHD241	M.RESISTOR CH 1/16W 240	1	
R1025	ERJ2RHD272X	M.RESISTOR CH 1/16W 2.7K	1	
R1026	ERJ2GEJ101Y	M.RESISTOR CH 1/16W 100	1	
R1031	ERJ2RHD472	M.RESISTOR CH 1/16W 4.7K	1	
R1034	ERJ2RHD111	M.RESISTOR CH 1/16W 110	1	
R1035	ERJ2RHD272X	M.RESISTOR CH 1/16W 2.7K	1	
R1041	ERJ2RHD132	M.RESISTOR CH 1/16W 1.3K	1	
R1044	ERJ2RKD820	M.RESISTOR CH 1/16W 82	1	PV-GS200PP-S
R1044	ERJ2RHD301	M.RESISTOR CH 1/16W 300	1	PV-GS120PP-S
R1045	ERJ2RHD222	M.RESISTOR CH 1/16W 2.2K	1	
R1051	ERJ6RBB333	M.RESISTOR CH 1/10W 33K	1	PV-GS200PP-S
R1051	ERJ6RBB273	M.RESISTOR CH 1/10W 27K	1	PV-GS120PP-S
R1054	ERJ2RHD101	M.RESISTOR CH 1/16W 100	1	PV-GS200PP-S
R1054	ERJ2RHD201	M.RESISTOR CH 1/16W 200	1	PV-GS120PP-S
R1055	ERJ6RBB272	M.RESISTOR CH 1/10W 2.7K	1	
R1056	ERJ2GEJ101Y	M.RESISTOR CH 1/16W 100	1	
R1101	ERJ2RHD133	M.RESISTOR CH 1/16W 13K	1	PV-GS200PP-S
R1101	ERJ2RHD123	M.RESISTOR CH 1/16W 12K	1	PV-GS120PP-S
R1102	ERJ2RHD113	M.RESISTOR CH 1/16W 11K	1	PV-GS200PP-S
R1102	ERJ2RHD133	M.RESISTOR CH 1/16W 13K	1	PV-GS120PP-S
R1103	ERJ2GEJ103Y	M.RESISTOR CH 1/16W 10K	1	
R1104	ERJ2GEJ393X	M.RESISTOR CH 1/16W 39K	1	ERJ2RMJ393X
R1105	ERJ2GEJ224	M.RESISTOR CH 1/16W 220K	1	
R1106	ERJ2GEJ104	M.RESISTOR CH 1/16W 100K	1	
R1111	ERJ2GEJ271	M.RESISTOR CH 1/16W 270	1	
R1112	ERJ2GEJ103Y	M.RESISTOR CH 1/16W 10K	1	
R1121	ERJ2GEJ271	M.RESISTOR CH 1/16W 270	1	
R1131	ERJ2GEJ271	M.RESISTOR CH 1/16W 270	1	
R1141	ERJ2GEJ271	M.RESISTOR CH 1/16W 270	1	
R1142	ERJ2GEJ103Y	M.RESISTOR CH 1/16W 10K	1	
R1151	ERJ2GEJ271	M.RESISTOR CH 1/16W 270	1	
R1152	ERJ2RHD223X	M.RESISTOR CH 1/16W 22K	1	
R1153	ERJ2RHD153	M.RESISTOR CH 1/16W 15K	1	

Ref. No.	Part No.	Part Name & Description	Pcs	Remarks
R1155	ERJ2GEJ103Y	M.RESISTOR CH 1/16W 10K	1	PV-GS120PP-S
R1221	ERJ3GEY0R00A	M.RESISTOR CH 1/10W 0	1	PV-GS200PP-S
R1232	ERJ3GEY0R00A	M.RESISTOR CH 1/10W 0	1	
R1241	ERJ3GEY0R00A	M.RESISTOR CH 1/10W 0	1	
R1280	ERJ2GE0R00Y	M.RESISTOR CH 1/16W 0	1	PV-GS120PP-S
R1281	ERJ2GE0R00Y	M.RESISTOR CH 1/16W 0	1	PV-GS200PP-S
R1311	ERJ3GEY0R00A	M.RESISTOR CH 1/10W 0	1	
R1380	ERJ2GEJ473	M.RESISTOR CH 1/16W 47K	1	PV-GS200PP-S
R1381	ERJ2RHD333	M.RESISTOR CH 1/16W 33K	1	
R1382	ERJ2RHD272X	M.RESISTOR CH 1/16W 2.7K	1	
R1383	ERJ2RHD183	M.RESISTOR CH 1/16W 18K	1	
R1384	ERJ2GEJ153	M.RESISTOR CH 1/16W 15K	1	
R1385	ERJ2GEJ473	M.RESISTOR CH 1/16W 47K	1	
R1386	ERJ2RHD563	M.RESISTOR CH 1/16W 56K	1	PV-GS200PP-S
R1387	ERJ2RHD752	M.RESISTOR CH 1/16W 7.5K	1	PV-GS200PP-S
R1388	ERJ2RHD183	M.RESISTOR CH 1/16W 18K	1	PV-GS200PP-S
R1389	ERJ2GEJ103Y	M.RESISTOR CH 1/16W 10K	1	PV-GS200PP-S
R1390	ERJ2GEJ332X	M.RESISTOR CH 1/16W 3.3K	1	ERJ2RMJ332X
R1391	ERJ2RHD183	M.RESISTOR CH 1/16W 18K	1	PV-GS120PP-S
R1392	ERJ2RHD221	M.RESISTOR CH 1/16W 220	1	PV-GS120PP-S
R1393	ERJ2RHD223X	M.RESISTOR CH 1/16W 22K	1	PV-GS120PP-S
R1394	ERJ2GEJ123	M.RESISTOR CH 1/16W 12K	1	PV-GS120PP-S
R1401	ERJ2RHD103X	M.RESISTOR CH 1/16W 10K	1	
R1402	ERJ2GEJ102	M.RESISTOR CH 1/16W 1K	1	
R1413	ERJ2GEJ473	M.RESISTOR CH 1/16W 47K	1	
R1414	ERJ2GEJ152	M.RESISTOR CH 1/16W 1.5K	1	
R1415	ERJ2GEJ332X	M.RESISTOR CH 1/16W 3.3K	1	ERJ2RMJ332X
R1416	ERJ2GEJ473	M.RESISTOR CH 1/16W 47K	1	
R1421	ERJ2GEJ473	M.RESISTOR CH 1/16W 47K	1	
R1422	ERJ2GEJ332X	M.RESISTOR CH 1/16W 3.3K	1	ERJ2RMJ332X
R1423	ERJ2GEJ153	M.RESISTOR CH 1/16W 15K	1	
R1424	ERJ2GEJ473	M.RESISTOR CH 1/16W 47K	1	
R1483	ERJ2GEJ183	M.RESISTOR CH 1/16W 18K	1	
R1484	ERJ2GEJ224	M.RESISTOR CH 1/16W 220K	1	
R2001	ERJ2GEJ102	M.RESISTOR CH 1/16W 1K	1	
R2002	ERJ2GEJ471X	M.RESISTOR CH 1/16W 470	1	ERJ2RMJ471X
R2003	ERJ2GEJ471X	M.RESISTOR CH 1/16W 470	1	ERJ2RMJ471X
R2004	ERJ2GE0R00Y	M.RESISTOR CH 1/16W 0	1	
R2006	ERJ2GE0R00Y	M.RESISTOR CH 1/16W 0	1	
R2007	ERJ2GE0R00Y	M.RESISTOR CH 1/16W 0	1	

Ref. No.	Part No.	Part Name & Description	Pcs	Remarks
R2008	ERJ2GE0R00Y	M.RESISTOR CH 1/16W 0	1	
R2009	ERJ2RHD683	M.RESISTOR CH 1/16W 68K	1	
R2010	ERJ2RHD223X	M.RESISTOR CH 1/16W 22K	1	
R2012	ERJ2GEJ102	M.RESISTOR CH 1/16W 1K	1	
R2013	ERJ2GEJ223	M.RESISTOR CH 1/16W 22K	1	
R2015	ERJ2GE0R00Y	M.RESISTOR CH 1/16W 0	1	
R2017	ERJ2GEJ104	M.RESISTOR CH 1/16W 100K	1	
R2018	ERJ2GEJ470	M.RESISTOR CH 1/16W 47	1	
R2019	ERJ2GEJ102	M.RESISTOR CH 1/16W 1K	1	
R2020	ERJ2GEJ102	M.RESISTOR CH 1/16W 1K	1	
R2022	ERJ2GEJ272	M.RESISTOR CH 1/16W 2.7K	1	
R2023	ERJ2GEJ104	M.RESISTOR CH 1/16W 100K	1	
R2024	ERJ2GEJ102	M.RESISTOR CH 1/16W 1K	1	
R2025	ERJ2GEJ102	M.RESISTOR CH 1/16W 1K	1	
R2026	ERJ2GEJ682X	M.RESISTOR CH 1/16W 6.8K	1	ERJ2RMJ682X
R2027	ERJ2GEJ393X	M.RESISTOR CH 1/16W 39K	1	ERJ2RMJ393X
R2028	ERJ2GEJ821X	M.RESISTOR CH 1/16W 820	1	ERJ2RMJ821X
R2029	ERJ2GEJ152	M.RESISTOR CH 1/16W 1.5K	1	
R2030	ERJ2GEJ223	M.RESISTOR CH 1/16W 22K	1	
R2032	ERJ2GEJ332X	M.RESISTOR CH 1/16W 3.3K	1	ERJ2RMJ332X
R2033	ERJ2GEJ332X	M.RESISTOR CH 1/16W 3.3K	1	ERJ2RMJ332X
R2034	ERJ2GEJ683X	M.RESISTOR CH 1/16W 68K	1	ERJ2RMJ683X
R2035	ERJ2GEJ473	M.RESISTOR CH 1/16W 47K	1	
R2036	ERJ2GEJ102	M.RESISTOR CH 1/16W 1K	1	
R2038	ERJ2GEJ102	M.RESISTOR CH 1/16W 1K	1	
R2039	ERJ2GEJ473	M.RESISTOR CH 1/16W 47K	1	
R2040	ERJ2GEJ332X	M.RESISTOR CH 1/16W 3.3K	1	ERJ2RMJ332X
R2041	ERJ2GEJ183	M.RESISTOR CH 1/16W 18K	1	
R2042	ERJ2GEJ473	M.RESISTOR CH 1/16W 47K	1	
R2043	ERJ2GEJ473	M.RESISTOR CH 1/16W 47K	1	
R2044	ERJ2GEJ473	M.RESISTOR CH 1/16W 47K	1	
R2045	ERJ2GEJ101Y	M.RESISTOR CH 1/16W 100	1	
R2046	ERJ2GEJ101Y	M.RESISTOR CH 1/16W 100	1	
R2047	ERJ2GE0R00Y	M.RESISTOR CH 1/16W 0	1	
R2048	ERJ2GEJ102	M.RESISTOR CH 1/16W 1K	1	
R2049	ERJ2GEJ102	M.RESISTOR CH 1/16W 1K	1	
R2051	ERJ2GEJ473	M.RESISTOR CH 1/16W 47K	1	
R2052	ERJ2GEJ102	M.RESISTOR CH 1/16W 1K	1	
R2053	ERJ2GEJ473	M.RESISTOR CH 1/16W 47K	1	
R2054	ERJ2GEJ123	M.RESISTOR CH 1/16W 12K	1	

Ref. No.	Part No.	Part Name & Description	Pcs	Remarks
R2055	ERJ2GEJ123	M.RESISTOR CH 1/16W 12K	1	
R2056	ERJ2GEJ103Y	M.RESISTOR CH 1/16W 10K	1	
R2058	ERJ2GEJ102	M.RESISTOR CH 1/16W 1K	1	
R2059	ERJ2GEJ394X	M.RESISTOR CH 1/16W 390K	1	ERJ2RMJ394X
R2060	ERJ2GEJ473	M.RESISTOR CH 1/16W 47K	1	
R2061	ERJ2GEJ183	M.RESISTOR CH 1/16W 18K	1	
R2072	ERJ2GEJ102	M.RESISTOR CH 1/16W 1K	1	
R2073	ERJ2GEJ182	M.RESISTOR CH 1/16W 1.8K	1	
R2074	ERJ2GE0R00Y	M.RESISTOR CH 1/16W 0	1	
R2079	ERJ2GEJ105	M.RESISTOR CH 1/16W 1M	1	
R2080	ERJ2GEJ152	M.RESISTOR CH 1/16W 1.5K	1	
R2081	ERJ2GEJ332X	M.RESISTOR CH 1/16W 3.3K	1	ERJ2RMJ332X
R2082	ERJ2GEJ102	M.RESISTOR CH 1/16W 1K	1	
R2083	ERJ2GEJ102	M.RESISTOR CH 1/16W 1K	1	
R2084	ERJ2GEJ102	M.RESISTOR CH 1/16W 1K	1	
R2085	ERJ2GEJ102	M.RESISTOR CH 1/16W 1K	1	
R2087	ERJ2GEJ102	M.RESISTOR CH 1/16W 1K	1	
R2088	ERJ2GEJ473	M.RESISTOR CH 1/16W 47K	1	
R2089	ERJ2GEJ822X	M.RESISTOR CH 1/16W 8.2K	1	ERJ2RMJ822X
R2090	ERJ2GE0R00Y	M.RESISTOR CH 1/16W 0	1	
R2091	ERJ2GEJ102	M.RESISTOR CH 1/16W 1K	1	
R2092	ERJ2GE0R00Y	M.RESISTOR CH 1/16W 0	1	
R2093	ERJ2GEJ152	M.RESISTOR CH 1/16W 1.5K	1	
R2094	ERJ2GEJ103Y	M.RESISTOR CH 1/16W 10K	1	
R2096	ERJ2GE0R00Y	M.RESISTOR CH 1/16W 0	1	
R2097	ERJ2GEJ102	M.RESISTOR CH 1/16W 1K	1	
R2107	ERJ2GE0R00Y	M.RESISTOR CH 1/16W 0	1	
R2109	ERJ2GEJ222	M.RESISTOR CH 1/16W 2.2K	1	
R2110	ERJ2GEJ822X	M.RESISTOR CH 1/16W 8.2K	1	ERJ2RMJ822X
R2111	ERJ2GEJ222	M.RESISTOR CH 1/16W 2.2K	1	
R2112	ERJ2GEJ822X	M.RESISTOR CH 1/16W 8.2K	1	ERJ2RMJ822X
R2124	ERJ6GEYJ330V	M.RESISTOR CH 1/10W 33	1	
R2128	ERJ2GEJ332X	M.RESISTOR CH 1/16W 3.3K	1	ERJ2RMJ332X
R2129	ERJ2GEJ473	M.RESISTOR CH 1/16W 47K	1	
R2133	ERJ2GEJ222	M.RESISTOR CH 1/16W 2.2K	1	
R2140	ERJ2GEJ103Y	M.RESISTOR CH 1/16W 10K	1	
R2141	ERJ2GEJ103Y	M.RESISTOR CH 1/16W 10K	1	
R2146	ERJ2GEJ472X	M.RESISTOR CH 1/16W 4.7K	1	ERJ2RMJ472X
R2155	ERJ2GEJ105	M.RESISTOR CH 1/16W 1M	1	
R2158	ERJ2GEJ102	M.RESISTOR CH 1/16W 1K	1	

Ref. No.	Part No.	Part Name & Description	Pcs	Remarks
R2177	ERJ2GEJ102	M.RESISTOR CH 1/16W 1K	1	
R2201	ERJ2GEJ101Y	M.RESISTOR CH 1/16W 100	1	
R2202	ERJ2GEJ473	M.RESISTOR CH 1/16W 47K	1	
R2203	ERJ2GEJ823X	M.RESISTOR CH 1/16W 82K	1	ERJ2RMJ823X
R2204	ERJ2GEJ104	M.RESISTOR CH 1/16W 100K	1	
R2205	ERJ2GEJ102	M.RESISTOR CH 1/16W 1K	1	
R2206	ERJ2GEJ102	M.RESISTOR CH 1/16W 1K	1	
R2207	ERJ2GEJ103Y	M.RESISTOR CH 1/16W 10K	1	
R2210	ERJ2RHD242	M.RESISTOR CH 1/16W 2.4K	1	
R2211	D1BDR270A053	RESISTOR	1	
R2212	ERJ2GEJ153	M.RESISTOR CH 1/16W 15K	1	
R2213	D1BDR270A053	RESISTOR	1	
R2214	ERJ2RHD273X	M.RESISTOR CH 1/16W 27K	1	
R2217	ERJ2GEJ223	M.RESISTOR CH 1/16W 22K	1	
R2218	ERJ2GEJ103Y	M.RESISTOR CH 1/16W 10K	1	
R2219	ERJ2RHD273X	M.RESISTOR CH 1/16W 27K	1	
R2220	ERJ2GEJ102	M.RESISTOR CH 1/16W 1K	1	
R2222	ERJ2GEJ102	M.RESISTOR CH 1/16W 1K	1	
R2224	ERJ2GEJ102	M.RESISTOR CH 1/16W 1K	1	
R2225	ERJ2GEJ102	M.RESISTOR CH 1/16W 1K	1	
R2226	D1BDR680A053	RESISTOR	1	
R2255	ERJ2GEJ393X	M.RESISTOR CH 1/16W 39K	1	ERJ2RMJ393X
R2256	ERJ2GEJ563X	M.RESISTOR CH 1/16W 56K	1	
R3002	ERJ2GEJ473	M.RESISTOR CH 1/16W 47K	1	
R3003	ERJ2GEJ472X	M.RESISTOR CH 1/16W 4.7K	1	ERJ2RMJ472X
R3004	ERJ2GEJ103Y	M.RESISTOR CH 1/16W 10K	1	
R3005	ERJ2GEJ220X	M.RESISTOR CH 1/16W 22	1	ERJ2RMJ220X
R3006	ERJ2GEJ220X	M.RESISTOR CH 1/16W 22	1	ERJ2RMJ220X
R3007	ERJ2GEJ151	M.RESISTOR CH 1/16W 150	1	
R3008	ERJ2GEJ473	M.RESISTOR CH 1/16W 47K	1	
R3009	ERJ2GE0R00Y	M.RESISTOR CH 1/16W 0	1	
R3011	ERJ2GEJ473	M.RESISTOR CH 1/16W 47K	1	
R3012	ERJ2GEJ473	M.RESISTOR CH 1/16W 47K	1	
R3013	ERJ2RHD123	M.RESISTOR CH 1/16W 12K	1	
R3014	ERJ2GEJ331X	M.RESISTOR CH 1/16W 330	1	ERJ2RMJ331X
R3015	ERJ2GEJ105	M.RESISTOR CH 1/16W 1M	1	
R3016	ERJ2GEJ473	M.RESISTOR CH 1/16W 47K	1	
R3017	ERJ2GEJ473	M.RESISTOR CH 1/16W 47K	1	
R3020	ERJ2GEJ473	M.RESISTOR CH 1/16W 47K	1	
R3021	ERJ2GE0R00Y	M.RESISTOR CH 1/16W 0	1	
R3022	ERJ2RKD560X	M.RESISTOR CH 1/16W 56	1	

Ref. No.	Part No.	Part Name & Description	Pcs	Remarks
R3023	ERJ2RKD560X	M.RESISTOR CH 1/16W 56	1	
R3024	ERJ2RKD560X	M.RESISTOR CH 1/16W 56	1	
R3025	ERJ2RKD560X	M.RESISTOR CH 1/16W 56	1	
R3026	ERJ2GEJ103Y	M.RESISTOR CH 1/16W 10K	1	
R3030	ERJ2GEJ152	M.RESISTOR CH 1/16W 1.5K	1	
R3033	ERJ2GEJ103Y	M.RESISTOR CH 1/16W 10K	1	
R3034	ERJ2GEJ103Y	M.RESISTOR CH 1/16W 10K	1	
R3035	ERJ2GEJ123	M.RESISTOR CH 1/16W 12K	1	
R3036	ERJ2GEJ103Y	M.RESISTOR CH 1/16W 10K	1	
R3037	ERJ2GEJ153	M.RESISTOR CH 1/16W 15K	1	
R3038	ERJ2GEJ103Y	M.RESISTOR CH 1/16W 10K	1	
R3040	ERJ2GEJ473	M.RESISTOR CH 1/16W 47K	1	
R3045	ERJ2GEJ181	M.RESISTOR CH 1/16W 180	1	
R3046	ERJ2GEJ105	M.RESISTOR CH 1/16W 1M	1	
R3048	ERJ2GEJ223	M.RESISTOR CH 1/16W 22K	1	
R3051	ERJ2GE0R00Y	M.RESISTOR CH 1/16W 0	1	
R3063	ERJ2GE0R00Y	M.RESISTOR CH 1/16W 0	1	
R3071	ERJ2GE0R00Y	M.RESISTOR CH 1/16W 0	1	
R3072	ERJ2GE0R00Y	M.RESISTOR CH 1/16W 0	1	
R3077	ERJ2GE0R00Y	M.RESISTOR CH 1/16W 0	1	
R3201	ERJ2RHD182	M.RESISTOR CH 1/16W 1.8K	1	
R3202	ERJ2GEJ271	M.RESISTOR CH 1/16W 270	1	
R3203	ERJ2GEJ221	M.RESISTOR CH 1/16W 220	1	
R3204	ERJ2GEJ272	M.RESISTOR CH 1/16W 2.7K	1	
R3205	ERJ2GEJ221	M.RESISTOR CH 1/16W 220	1	
R3206	ERJ2GEJ222	M.RESISTOR CH 1/16W 2.2K	1	
R3207	ERJ2GEJ332X	M.RESISTOR CH 1/16W 3.3K	1	ERJ2RMJ332X
R3211	ERJ2GEJ102	M.RESISTOR CH 1/16W 1K	1	
R3212	ERJ2GEJ102	M.RESISTOR CH 1/16W 1K	1	
R3214	ERJ2GEJ103Y	M.RESISTOR CH 1/16W 10K	1	
R3215	ERJ2GEJ103Y	M.RESISTOR CH 1/16W 10K	1	
R3218	ERJ2GEJ102	M.RESISTOR CH 1/16W 1K	1	
R3219	ERJ2GEJ103Y	M.RESISTOR CH 1/16W 10K	1	
R3221	ERJ2GEJ102	M.RESISTOR CH 1/16W 1K	1	
R3222	ERJ2GEJ102	M.RESISTOR CH 1/16W 1K	1	
R3223	ERJ2GEJ102	M.RESISTOR CH 1/16W 1K	1	
R3260	ERJ2GE0R00Y	M.RESISTOR CH 1/16W 0	1	
R3301	ERJ2GE0R00Y	M.RESISTOR CH 1/16W 0	1	
R3302	ERJ2GEJ221	M.RESISTOR CH 1/16W 220	1	
R3308	ERJ2GEJ103Y	M.RESISTOR CH 1/16W 10K	1	

Ref. No.	Part No.	Part Name & Description	Pcs	Remarks
R3309	ERJ2GEJ333X	M.RESISTOR CH 1/16W 33K	1	ERJ2RMJ333X
R3310	ERJ2RHD752	M.RESISTOR CH 1/16W 7.5K	1	
R3311	ERJ2GEJ333X	M.RESISTOR CH 1/16W 33K	1	ERJ2RMJ333X
R3312	ERJ2GEJ153	M.RESISTOR CH 1/16W 15K	1	
R3313	ERJ2GEJ101Y	M.RESISTOR CH 1/16W 100	1	
R3314	ERJ2GEJ101Y	M.RESISTOR CH 1/16W 100	1	
R3315	ERJ2GEJ561X	M.RESISTOR CH 1/16W 560	1	ERJ2RMJ561X
R3316	ERJ2GEJ561X	M.RESISTOR CH 1/16W 560	1	ERJ2RMJ561X
R3317	ERJ2GEJ153	M.RESISTOR CH 1/16W 15K	1	
R3318	ERJ2GEJ473	M.RESISTOR CH 1/16W 47K	1	
R3320	ERJ2GEJ100	M.RESISTOR CH 1/16W 10	1	
R3321	ERJ2GEJ680X	M.RESISTOR CH 1/16W 68	1	ERJ2RMJ680X
R3322	ERJ2GEJ102	M.RESISTOR CH 1/16W 1K	1	
R3323	ERJ2GEJ680X	M.RESISTOR CH 1/16W 68	1	ERJ2RMJ680X
R3324	ERJ2GEJ102	M.RESISTOR CH 1/16W 1K	1	
R3325	ERJ2GEJ680X	M.RESISTOR CH 1/16W 68	1	ERJ2RMJ680X
R3326	ERJ2GEJ102	M.RESISTOR CH 1/16W 1K	1	
R3330	ERJ2GEJ473	M.RESISTOR CH 1/16W 47K	1	
R3501	ERJ2GEJ102	M.RESISTOR CH 1/16W 1K	1	
R3503	ERJ2GE0R00Y	M.RESISTOR CH 1/16W 0	1	
R3504	ERJ2RHD122	M.RESISTOR CH 1/16W 1.2K	1	
R3505	ERJ2RHD102	M.RESISTOR CH 1/16W 1K	1	
R3506	ERJ2RHD102	M.RESISTOR CH 1/16W 1K	1	
R3507	ERJ2RHD392	M.RESISTOR CH 1/16W 3.9K	1	
R3508	ERJ2GEJ101Y	M.RESISTOR CH 1/16W 100	1	
R3514	ERJ2GEJ223	M.RESISTOR CH 1/16W 22K	1	
R3515	ERJ2GEJ331X	M.RESISTOR CH 1/16W 330	1	ERJ2RMJ331X
R3516	ERJ2GEJ103Y	M.RESISTOR CH 1/16W 10K	1	
R3549	ERJ2GEJ272	M.RESISTOR CH 1/16W 2.7K	1	
R3550	ERJ2GEJ821X	M.RESISTOR CH 1/16W 820	1	ERJ2RMJ821X
R3553	ERJ2RHD102	M.RESISTOR CH 1/16W 1K	1	
R3554	ERJ2GEJ182	M.RESISTOR CH 1/16W 1.8K	1	
R3555	ERJ2GEJ222	M.RESISTOR CH 1/16W 2.2K	1	
R3556	ERJ2GEJ103Y	M.RESISTOR CH 1/16W 10K	1	
R3557	ERJ2GEJ333X	M.RESISTOR CH 1/16W 33K	1	ERJ2RMJ333X
R3558	ERJ2GEJ333X	M.RESISTOR CH 1/16W 33K	1	ERJ2RMJ333X
R3560	ERJ2GEJ222	M.RESISTOR CH 1/16W 2.2K	1	
R3561	ERJ2RHD102	M.RESISTOR CH 1/16W 1K	1	
R3562	ERJ2RHD102	M.RESISTOR CH 1/16W 1K	1	
R3563	ERJ2GEJ222	M.RESISTOR CH 1/16W 2.2K	1	

Ref. No.	Part No.	Part Name & Description	Pcs	Remarks
R3564	ERJ2GEJ124	M.RESISTOR CH 1/16W 120K	1	
R3565	ERJ2GEJ104	M.RESISTOR CH 1/16W 100K	1	
R3568	ERJ2GEJ183	M.RESISTOR CH 1/16W 18K	1	
R3580	ERJ2GEJ473	M.RESISTOR CH 1/16W 47K	1	
R3582	ERJ2GE0R00Y	M.RESISTOR CH 1/16W 0	1	
R5001	ERJ2GE0R00Y	M.RESISTOR CH 1/16W 0	1	
R5004	ERJ2GEJ182	M.RESISTOR CH 1/16W 1.8K	1	
R5006	ERJ2GEJ222	M.RESISTOR CH 1/16W 2.2K	1	
R5015	ERJ2GEJ102	M.RESISTOR CH 1/16W 1K	1	
R6501	ERJ2GE0R00Y	M.RESISTOR CH 1/16W 0	1	PV-GS120PP-S
R6503	ERJ2GE0R00Y	M.RESISTOR CH 1/16W 0	1	PV-GS200PP-S
R6901	ERJ6GEYJ330V	M.RESISTOR CH 1/10W 33	1	
R6905	ERJ2GEJ330X	M.RESISTOR CH 1/16W 33	1	
R6908	ERJ2GEJ330X	M.RESISTOR CH 1/16W 33	1	
R6909	ERJ2GEJ223	M.RESISTOR CH 1/16W 22K	1	PV-GS200PP-S
R6909	ERJ2GEJ102	M.RESISTOR CH 1/16W 1K	1	PV-GS120PP-S
R6911	ERJ2GEJ122	M.RESISTOR CH 1/16W 1.2K	1	
RX2002	D1H84734A024	RESISTOR	1	
RX2004	D1H83314A024	RESISTOR	1	
RX2005	D1H84734A024	RESISTOR	1	
RX2006	D1H84734A024	RESISTOR	1	
RX2008	D1H83324A013	RESISTOR	1	
RX2009	D1H81024A024	RESISTOR	1	
RX2010	D1H81044A024	RESISTOR	1	
RX2201	D1H81024A024	RESISTOR	1	
RX2202	D1H81034A024	RESISTOR	1	
RX3002	D1H84734A024	RESISTOR	1	
RX3003	D1H84734A024	RESISTOR	1	
RX3004	D1H84734A024	RESISTOR	1	
RX3005	D1H84704A024	RESISTOR	1	
RX3201	D1H84734A024	RESISTOR	1	
RX3202	D1H81034A024	RESISTOR	1	
RX5001	D1H81034A024	RESISTOR	1	
T1051	G5DYA0000077	SWITCHING TRANSFORMER	1	PV-GS200PP-S
T1051	G5DYA0000075	SWITCHING TRANSFORMER	1	PV-GS120PP-S
VZ6501	VRT0158	TRANSIENT/SURGE ABSORBER	1	D4ED12710002
VZ6502	VRT0158	TRANSIENT/SURGE ABSORBER	1	D4ED12710002
VZ6503	VRT0158	TRANSIENT/SURGE ABSORBER	1	D4ED12710002
X2002	H0J135500008	CRYSTAL OSCILLATOR	1	
X3001	H0J245500021	CRYSTAL OSCILLATOR	1	
X3002	H0J480000002	CRYSTAL OSCILLATOR 48MHZ	1	
■	VEP23599A	SUB C.B.A.		(RTL) PV-GS200PP-S
■	VEP23602C	SUB C.B.A.		(RTL) PV-GS120PP-S
C101	F3F0G107A003	E.CAPACITOR CH 4V 100U	1	PV-GS200PP-S
C102	F1J1E105A080	C.CAPACITOR CH 25V 1U	1	

Ref. No.	Part No.	Part Name & Description	Pcs	Remarks
C103	F1G0J105A001	C.CAPACITOR CH 6.3V 1U	1	
C104	ECJ0EB1A104K	C.CAPACITOR CH 10V 0.1U	1	
C105	F1G0J105A001	C.CAPACITOR CH 6.3V 1U	1	
C106	ECST0GY226R	T.CAPACITOR CH 4V 22U	1	
C107	F1J1E105A080	C.CAPACITOR CH 25V 1U	1	
C108	ECJ0EB1A104K	C.CAPACITOR CH 10V 0.1U	1	PV-GS200PP-S
C109	ECST0JY106R	T.CAPACITOR CH 6.3V 10U	1	
C111	ECJ0EB1A104K	C.CAPACITOR CH 10V 0.1U	1	
C112	ECST0GY226R	T.CAPACITOR CH 4V 22U	1	PV-GS120PP-S
C113	ECST0GY226R	T.CAPACITOR CH 4V 22U	1	
C114	ECJ0EB1A104K	C.CAPACITOR CH 10V 0.1U	1	
C115	ECJ0EB1C103K	C.CAPACITOR CH 16V 0.01U	1	
C116	ECJ0EC1H221J	C.CAPACITOR CH 50V 220P	1	PV-GS120PP-S
C117	ECJ0EC1H221J	C.CAPACITOR CH 50V 220P	1	PV-GS120PP-S
C118	F1G0J105A001	C.CAPACITOR CH 6.3V 1U	1	
C119	ECJ0EB1A104K	C.CAPACITOR CH 10V 0.1U	1	
C120	ECJ0EB1A104K	C.CAPACITOR CH 10V 0.1U	1	
C121	ECUE1E821KBQ	C.CAPACITOR CH 25V 820P	1	PV-GS200PP-S F1G1E821A056
C121	ECJ0EB1C103K	C.CAPACITOR CH 16V 0.01U	1	PV-GS120PP-S
C122	ECJ0EB1A104K	C.CAPACITOR CH 10V 0.1U	1	
C123	F1G0J105A001	C.CAPACITOR CH 6.3V 1U	1	
C124	ECJ0EB1A104K	C.CAPACITOR CH 10V 0.1U	1	
C125	ECUE1E821KBQ	C.CAPACITOR CH 25V 820P	1	PV-GS200PP-S F1G1E821A056
C125	ECJ0EB1C103K	C.CAPACITOR CH 16V 0.01U	1	PV-GS120PP-S
C126	ECJ0EB1A104K	C.CAPACITOR CH 10V 0.1U	1	
C127	F1G0J105A001	C.CAPACITOR CH 6.3V 1U	1	
C128	ECJ0EB1A104K	C.CAPACITOR CH 10V 0.1U	1	
C129	ECST1DX106Z	T.CAPACITOR CH 20V 10U	1	
C131	F1H1C105A095	C.CAPACITOR CH 16V 1U	1	
C132	ECUE1E821KBQ	C.CAPACITOR CH 25V 820P	1	PV-GS200PP-S F1G1E821A056
C132	ECJ0EB1C103K	C.CAPACITOR CH 16V 0.01U	1	PV-GS120PP-S
C133	ECJ0EB1A104K	C.CAPACITOR CH 10V 0.1U	1	
C134	ECJ0EB1A104K	C.CAPACITOR CH 10V 0.1U	1	
C136	ECJ0EB1C103K	C.CAPACITOR CH 16V 0.01U	1	
C137	ECJ0EB1C103K	C.CAPACITOR CH 16V 0.01U	1	
C138	ECJ0EB1C103K	C.CAPACITOR CH 16V 0.01U	1	
C139	ECJ0EB1A104K	C.CAPACITOR CH 10V 0.1U	1	
C140	ECJ0EB1A104K	C.CAPACITOR CH 10V 0.1U	1	
C142	F1J1C335A121	C.CAPACITOR CH 16V 3.3U	1	
C143	F1J1C335A121	C.CAPACITOR CH 16V 3.3U	1	

Ref. No.	Part No.	Part Name & Description	Pcs	Remarks
C144	F1H1C105A095	C.CAPACITOR CH 16V 1U	1	
C146	ECJ0EB1A104K	C.CAPACITOR CH 10V 0.1U	1	
C147	ECJ0EB1A104K	C.CAPACITOR CH 10V 0.1U	1	
C148	ECJ0EB1A104K	C.CAPACITOR CH 10V 0.1U	1	
C149	ECJ0EB1A104K	C.CAPACITOR CH 10V 0.1U	1	
C150	ECJ0EB1C103K	C.CAPACITOR CH 16V 0.01U	1	
C151	ECJ0EB1C103K	C.CAPACITOR CH 16V 0.01U	1	
C152	ECJ0EB1C103K	C.CAPACITOR CH 16V 0.01U	1	
C154	F1J1E105A080	C.CAPACITOR CH 25V 1U	1	
C156	ECJ0EB1C103K	C.CAPACITOR CH 16V 0.01U	1	
C303	ECJ0EB1A104K	C.CAPACITOR CH 10V 0.1U	1	
C304	F3F0G107A003	E.CAPACITOR CH 4V 100U	1	
C306	ECJ0EC1H180J	C.CAPACITOR CH 50V 18P	1	
C307	ECJ0EB1A104K	C.CAPACITOR CH 10V 0.1U	1	
C308	ECJ0EB1A104K	C.CAPACITOR CH 10V 0.1U	1	
C309	ECST0JY106R	T.CAPACITOR CH 6.3V 10U	1	
C310	ECJ0EB1A104K	C.CAPACITOR CH 10V 0.1U	1	
C311	ECST0JY106R	T.CAPACITOR CH 6.3V 10U	1	
C312	ECJ0EB1A104K	C.CAPACITOR CH 10V 0.1U	1	
C313	ECJ0EB1A104K	C.CAPACITOR CH 10V 0.1U	1	
C314	ECJ0EB1A104K	C.CAPACITOR CH 10V 0.1U	1	PV-GS200PP-S
C315	ECJ0EB1C153K	C.CAPACITOR CH 16V 0.015U	1	
C317	ECJ0EB1C103K	C.CAPACITOR CH 16V 0.01U	1	
C320	ECJ0EB1A104K	C.CAPACITOR CH 10V 0.1U	1	
C321	ECJ0EB1A104K	C.CAPACITOR CH 10V 0.1U	1	
C322	ECJ0EB1A104K	C.CAPACITOR CH 10V 0.1U	1	
C327	ECST0JY106R	T.CAPACITOR CH 6.3V 10U	1	
C328	ECJ0EB1A104K	C.CAPACITOR CH 10V 0.1U	1	
C329	ECJ0EB1C153K	C.CAPACITOR CH 16V 0.015U	1	
C330	ECJ0EB1A104K	C.CAPACITOR CH 10V 0.1U	1	
C340	ECJ0EB1A104K	C.CAPACITOR CH 10V 0.1U	1	
C343	ECJ0EB1C153K	C.CAPACITOR CH 16V 0.015U	1	
C701	ECJ1VB0J105K	C.CAPACITOR CH 6.3V 1U	1	
C702	ECUX1E271KBQ	C.CAPACITOR CH 25V 270P	1	
C703	ECJ0EB1E102K	C.CAPACITOR CH 25V 1000P	1	
C704	ECJ0EB1E222K	C.CAPACITOR CH 25V 2200P	1	
C705	ECJ0EC1H220J	C.CAPACITOR CH 50V 22P	1	
C706	ECJ0EB1C103K	C.CAPACITOR CH 16V 0.01U	1	
C707	ECJ0EB1C103K	C.CAPACITOR CH 16V 0.01U	1	
C708	ECUE1E272KBQ	C.CAPACITOR CH 25V 2700P	1	ECJ0EB1E272K

Ref. No.	Part No.	Part Name & Description	Pcs	Remarks
C709	ECJ0EB1E222K	C.CAPACITOR CH 25V 2200P	1	
C710	ECJ0EB1E472K	C.CAPACITOR CH 25V 4700P	1	
C711	ECJ0EB1C103K	C.CAPACITOR CH 16V 0.01U	1	
C712	ECJ0EB1C103K	C.CAPACITOR CH 16V 0.01U	1	
C713	ECUX1E471KBQ	C.CAPACITOR CH 25V 470P	1	ECJ0EB1E471K
C714	ECST0JY106R	T.CAPACITOR CH 6.3V 10U	1	
C715	ECJ0EB1A104K	C.CAPACITOR CH 10V 0.1U	1	
C716	ECJ0EB1E472K	C.CAPACITOR CH 25V 4700P	1	
C717	ECJ1ZB1C104K	C.CAPACITOR CH 16V 0.1U	1	
C718	ECJ0EC1H151J	C.CAPACITOR CH 50V 150P	1	
C719	ECJ1VB1A224K	C.CAPACITOR CH 10V 0.22U	1	
C720	ECJ1VB0J105K	C.CAPACITOR CH 6.3V 1U	1	
C721	F1H1C105A095	C.CAPACITOR CH 16V 1U	1	
C722	ECJ1VB0J105K	C.CAPACITOR CH 6.3V 1U	1	
C723	ECJ1VB0J105K	C.CAPACITOR CH 6.3V 1U	1	
C724	ECJ0EB1A104K	C.CAPACITOR CH 10V 0.1U	1	
C725	ECST1DY475Z	T.CAPACITOR CH 20V 4.7U	1	
C731	ECJ0EC1H151J	C.CAPACITOR CH 50V 150P	1	
C732	ECJ1VB0J105K	C.CAPACITOR CH 6.3V 1U	1	
C733	ECJ1VB1A224K	C.CAPACITOR CH 10V 0.22U	1	
C736	ECJ0EB1C103K	C.CAPACITOR CH 16V 0.01U	1	
C739	ECJ1VB0J105K	C.CAPACITOR CH 6.3V 1U	1	
C740	ECJ0EB1E472K	C.CAPACITOR CH 25V 4700P	1	
C741	ECJ0EB1E472K	C.CAPACITOR CH 25V 4700P	1	
C742	ECJ1ZB1C104K	C.CAPACITOR CH 16V 0.1U	1	
C744	ECJ0EB1A104K	C.CAPACITOR CH 10V 0.1U	1	
C749	ECUX1E471KBQ	C.CAPACITOR CH 25V 470P	1	ECJ0EB1E471K
C1225	F1G0J105A001	C.CAPACITOR CH 6.3V 1U	1	PV-GS200PP-S
C1227	F1G0J105A001	C.CAPACITOR CH 6.3V 1U	1	
C1229	ECST0JY106R	T.CAPACITOR CH 6.3V 10U	1	PV-GS200PP-S
C1231	F1G0J105A001	C.CAPACITOR CH 6.3V 1U	1	
C1242	F1G0J105A001	C.CAPACITOR CH 6.3V 1U	1	PV-GS200PP-S
C1248	ECST0GY476Z	T.CAPACITOR CH 4V 47U	1	PV-GS200PP-S F3F0G476A009
C1381	F1H0J475A009	C.CAPACITOR CH 6.3V 4.7U	1	
C1382	F1H0J475A009	C.CAPACITOR CH 6.3V 4.7U	1	
C1451	F1H0J475A009	C.CAPACITOR CH 6.3V 4.7U	1	
C3401	ECJ0EB1C103K	C.CAPACITOR CH 16V 0.01U	1	PV-GS200PP-S
C3402	ECJ0EB1C103K	C.CAPACITOR CH 16V 0.01U	1	PV-GS200PP-S
C3403	ECJ0EB1C103K	C.CAPACITOR CH 16V 0.01U	1	PV-GS200PP-S
C3404	F1G0J105A001	C.CAPACITOR CH 6.3V 1U	1	PV-GS200PP-S

Ref. No.	Part No.	Part Name & Description	Pcs	Remarks
C3405	F1G0J105A001	C.CAPACITOR CH 6.3V 1U	1	PV-GS200PP-S
C3406	F1G0J105A001	C.CAPACITOR CH 6.3V 1U	1	PV-GS200PP-S
C3407	F1J0J106A014	C.CAPACITOR CH 6.3V 10U	1	PV-GS200PP-S
C3451	F1H0J475A009	C.CAPACITOR CH 6.3V 4.7U	1	PV-GS200PP-S
C3452	ECJ0EB1A104K	C.CAPACITOR CH 10V 0.1U	1	PV-GS200PP-S
C3453	ECJ0EB1A104K	C.CAPACITOR CH 10V 0.1U	1	PV-GS200PP-S
D101	MA6S121	DIODE	1	MA6Z121
D102	B0JCDD000002	DIODE	1	
D303	B0JCDD000002	DIODE	1	
D304	B0JCDD000002	DIODE	1	
D305	B0JCDD000002	DIODE	1	
D1451	MA2J11100L	DIODE	1	
D1471	MA2J11100L	DIODE	1	
FP701	VJS3971B033	CONNECTOR 33P	1	
FP3402	K1MN10A00074	CONNECTOR 10P	1	PV-GS200PP-S
FP4002	K1MN10B00080	CONNECTOR 10P	1	PV-GS200PP-S
IC101	MN52B0	IC	1	PV-GS200PP-S
IC101	MN52B1	IC	1	PV-GS120PP-S
IC102	C0CBCAD00021	IC	1	
IC103	C0CBCAD00020	IC	1	
IC104	C1AB00001791	IC	1	PV-GS200PP-S
IC104	C1AB00001725	IC	1	PV-GS120PP-S
IC105	C1AB00001791	IC	1	PV-GS200PP-S
IC105	C1AB00001725	IC	1	PV-GS120PP-S
IC106	C1AB00001791	IC	1	PV-GS200PP-S
IC106	C1AB00001725	IC	1	PV-GS120PP-S
IC107	C0JBAB000276	IC	1	PV-GS200PP-S
IC108	MN3114QFN-E1	IC	1	
IC110	C0JBAB000276	IC	1	
IC301	C0JBAF000476	IC	1	PV-GS200PP-S
IC302	C0CBCAB00010	IC	1	
IC303	MN5491R	IC	1	
IC304	C0JBAA000102	IC	1	
IC305	C2DBKJ000178	IC	1	PV-GS200PP-S
IC305	C2DBKJ000194	IC	1	PV-GS120PP-S
IC306	TC7SH14FU	IC	1	PV-GS200PP-S C0JBAZ001259
IC307	C3EBHC000015	IC	1	
IC701	C0ABCA000053	IC	1	
IC702	C1AB00001753	IC	1	
IC703	C0CBAEC00006	IC	1	
IC705	C0ABCA000053	IC	1	
IC706	NJM2125F	IC	1	COABAA000042
IC3451	C0ZBZ0000806	IC	1	PV-GS200PP-S
IC3452	MBM29LV8P4AA	IC	1	PV-GS200PP-S
IC3453	C3ABPJ000057	IC	1	PV-GS200PP-S
L101	VLQ0911K100	COIL 10UH	1	G1C100K00019
L104	VLQ0911K100	COIL 10UH	1	G1C100K00019
L105	VLQ0911K100	COIL 10UH	1	G1C100K00019
L309	VLQ0911K100	COIL 10UH	1	G1C100K00019
L701	VLQ0911K100	COIL 10UH	1	G1C100K00019
L702	G1C220KA0055	CHIP INDUCTOR 22UH	1	
L1225	G1C4R7MA0076	CHIP INDUCTOR 4.7UH	1	PV-GS200PP-S
L1227	G1C4R7MA0073	CHIP INDUCTOR 4.7UH	1	
L1231	G1C4R7MA0072	CHIP INDUCTOR 4.7UH	1	
L1242	G1C4R7MA0073	CHIP INDUCTOR 4.7UH	1	PV-GS200PP-S
LB104	VLP0140	CHIP BEAD	1	
LB301	J0JCC0000096	INDUCTOR	1	
LB302	J0JCC0000096	INDUCTOR	1	
LB303	VLP0332A420	CHIP BEAD	1	J0JHC0000017

Ref. No.	Part No.	Part Name & Description	Pcs	Remarks
LB451	J0JAC0000014	FILTER	1	PV-GS200PP-S J0JAC0000016
LB452	J0JAC0000014	FILTER	1	PV-GS200PP-S J0JAC0000016
LB453	J0JAC0000014	FILTER	1	PV-GS200PP-S J0JAC0000016
LB454	J0JAC0000014	FILTER	1	PV-GS200PP-S J0JAC0000016
LB455	J0JAC0000014	FILTER	1	PV-GS200PP-S J0JAC0000016
LB3401	VLP0140	CHIP BEAD	1	PV-GS200PP-S
LB3402	J0JHC0000032	FILTER	1	PV-GS200PP-S
LB3403	J0JHC0000032	FILTER	1	PV-GS200PP-S
PP301	K1KAF0A00003	CONNECTOR	1	PV-GS200PP-S
PP301	K1KAA0A00111	CONNECTOR	1	PV-GS120PP-S
PS201	VJS4009A040	CONNECTOR	1	K1KB40A00068
Q451	B1DDCB000002	TRANSISTOR	1	PV-GS200PP-S
Q703	2SD2216J0L	TRANSISTOR	1	
Q704	2SD0601A	CHIP TRANSISTOR	1	
Q1351	B1ADBE000001	TRANSISTOR	1	
Q1352	XP1501	TRANSISTOR- TRANSISTOR	1	XP01501
Q1371	B1ABBE000002	TRANSISTOR	1	
Q1372	XP1401	TRANSISTOR- TRANSISTOR	1	XP01401
Q1385	XP4501	TRANSISTOR- TRANSISTOR	1	XP04501
Q1451	B1ABBE000002	TRANSISTOR	1	
Q3401	2SB798A	TRANSISTOR	1	PV-GS200PP-S B1BDBD000002
Q3402	2SC4944YR	TRANSISTOR	1	PV-GS200PP-S B1HBCFD00001
QR101	UNR911NJ0L	TRANSISTOR- RESISTOR	1	PV-GS120PP-S
QR102	B1GBBEKM0001	TRANSISTOR- RESISTOR	1	PV-GS120PP-S
QR301	UNR9215J0L	TRANSISTOR- RESISTOR	1	PV-GS200PP-S
QR302	UNR9215J0L	TRANSISTOR- RESISTOR	1	
QR451	UN9214JTX	TRANSISTOR- RESISTOR	1	PV-GS200PP-S
QR1451	B1GDBEKM0001	TRANSISTOR- RESISTOR	1	
QR1471	B1GDBEKM0001	TRANSISTOR- RESISTOR	1	
QR3401	UN921F	TRANSISTOR	1	PV-GS200PP-S
R101	ERJ2GE0R00Y	M.RESISTOR CH 1/16W 0	1	PV-GS120PP-S
R102	ERJ2GE0R00Y	M.RESISTOR CH 1/16W 0	1	
R103	ERJ2GE0R00Y	M.RESISTOR CH 1/16W 0	1	PV-GS200PP-S
R104	ERJ3GEY0R00A	M.RESISTOR CH 1/10W 0	1	
R105	ERJ2GEJ104	M.RESISTOR CH 1/16W 100K	1	
R106	ERJ2GE0R00Y	M.RESISTOR CH 1/16W 0	1	
R107	ERJ2GE0R00Y	M.RESISTOR CH 1/16W 0	1	
R112	ERJ2GE0R00Y	M.RESISTOR CH 1/16W 0	1	PV-GS200PP-S
R112	ERJ2GEJ101Y	M.RESISTOR CH 1/16W 100	1	PV-GS120PP-S
R113	ERJ2GEJ392X	M.RESISTOR CH 1/16W 3.9K	1	ERJ2RMJ392X
R114	ERJ2GE0R00Y	M.RESISTOR CH 1/16W 0	1	PV-GS200PP-S
R114	ERJ2GEJ101Y	M.RESISTOR CH 1/16W 100	1	PV-GS120PP-S
R117	ERJ2GEJ105	M.RESISTOR CH 1/16W 1M	1	PV-GS120PP-S

Ref. No.	Part No.	Part Name & Description	Pcs	Remarks
R118	ERJ2GEJ105	M.RESISTOR CH 1/16W 1M	1	PV-GS120PP-S
R119	ERJ2GEJ105	M.RESISTOR CH 1/16W 1M	1	PV-GS120PP-S
R124	ERJ2GEJ333X	M.RESISTOR CH 1/16W 33K	1	ERJ2RMJ333X
R125	ERJ2GEJ333X	M.RESISTOR CH 1/16W 33K	1	ERJ2RMJ333X
R126	ERJ2GEJ333X	M.RESISTOR CH 1/16W 33K	1	ERJ2RMJ333X
R127	ERJ2GE0R00Y	M.RESISTOR CH 1/16W 0	1	
R131	ERJ2GE0R00Y	M.RESISTOR CH 1/16W 0	1	PV-GS200PP-S
R132	ERJ2GEJ332X	M.RESISTOR CH 1/16W 3.3K	1	ERJ2RMJ332X
R133	ERJ2GE0R00Y	M.RESISTOR CH 1/16W 0	1	PV-GS120PP-S
R134	ERJ2GE0R00Y	M.RESISTOR CH 1/16W 0	1	PV-GS120PP-S
R135	ERJ2GE0R00Y	M.RESISTOR CH 1/16W 0	1	PV-GS120PP-S
R136	ERJ2GE0R00Y	M.RESISTOR CH 1/16W 0	1	PV-GS200PP-S
R137	ERJ2GE0R00Y	M.RESISTOR CH 1/16W 0	1	PV-GS200PP-S
R138	ERJ2GE0R00Y	M.RESISTOR CH 1/16W 0	1	PV-GS200PP-S
R139	ERJ2GE0R00Y	M.RESISTOR CH 1/16W 0	1	
R141	ERJ2GEJ332X	M.RESISTOR CH 1/16W 3.3K	1	ERJ2RMJ332X
R142	ERJ2GEJ332X	M.RESISTOR CH 1/16W 3.3K	1	ERJ2RMJ332X
R145	ERJ2GE0R00Y	M.RESISTOR CH 1/16W 0	1	
R146	ERJ2GE0R00Y	M.RESISTOR CH 1/16W 0	1	
R147	ERJ2GEJ332X	M.RESISTOR CH 1/16W 3.3K	1	ERJ2RMJ332X
R148	ERJ2GEJ332X	M.RESISTOR CH 1/16W 3.3K	1	ERJ2RMJ332X
R301	ERJ2GE0R00Y	M.RESISTOR CH 1/16W 0	1	
R302	ERJ2GE0R00Y	M.RESISTOR CH 1/16W 0	1	
R303	ERJ2GEJ473	M.RESISTOR CH 1/16W 47K	1	
R304	ERJ2GEJ101Y	M.RESISTOR CH 1/16W 100	1	PV-GS200PP-S
R305	ERJ2GE0R00Y	M.RESISTOR CH 1/16W 0	1	
R306	ERJ2GEJ821X	M.RESISTOR CH 1/16W 820	1	ERJ2RMJ821X
R307	ERJ2GEJ102	M.RESISTOR CH 1/16W 1K	1	
R308	ERJ2GEJ102	M.RESISTOR CH 1/16W 1K	1	
R309	ERJ2GEJ102	M.RESISTOR CH 1/16W 1K	1	
R310	ERJ2GEJ472X	M.RESISTOR CH 1/16W 4.7K	1	ERJ2RMJ472X
R311	ERJ2GEJ472X	M.RESISTOR CH 1/16W 4.7K	1	ERJ2RMJ472X
R312	ERJ2GEJ682X	M.RESISTOR CH 1/16W 6.8K	1	ERJ2RMJ682X
R313	ERJ2GEJ472X	M.RESISTOR CH 1/16W 4.7K	1	ERJ2RMJ472X
R314	ERJ2GEJ392X	M.RESISTOR CH 1/16W 3.9K	1	ERJ2RMJ392X
R315	ERJ2GEJ102	M.RESISTOR CH 1/16W 1K	1	
R316	ERJ2GE0R00Y	M.RESISTOR CH 1/16W 0	1	
R317	ERJ2GEJ472X	M.RESISTOR CH 1/16W 4.7K	1	ERJ2RMJ472X
R318	ERJ2GEJ153	M.RESISTOR CH 1/16W 15K	1	PV-GS200PP-S
R319	ERJ2GEJ183	M.RESISTOR CH 1/16W 18K	1	PV-GS200PP-S

Ref. No.	Part No.	Part Name & Description	Pcs	Remarks
R319	ERJ2GE0R00Y	M.RESISTOR CH 1/16W 0	1	PV-GS120PP-S
R320	ERJ2GEJ103Y	M.RESISTOR CH 1/16W 10K	1	
R321	ERJ2GEJ333X	M.RESISTOR CH 1/16W 33K	1	PV-GS200PP-S ERJ2RMJ333X
R322	ERJ2GEJ822X	M.RESISTOR CH 1/16W 8.2K	1	ERJ2RMJ822X
R323	ERJ2GEJ473	M.RESISTOR CH 1/16W 47K	1	
R326	ERJ2GEJ821X	M.RESISTOR CH 1/16W 820	1	ERJ2RMJ821X
R327	ERJ2GEJ472X	M.RESISTOR CH 1/16W 4.7K	1	ERJ2RMJ472X
R328	ERJ2GEJ103Y	M.RESISTOR CH 1/16W 10K	1	
R329	ERJ2GEJ102	M.RESISTOR CH 1/16W 1K	1	PV-GS200PP-S
R330	ERJ2GEJ682X	M.RESISTOR CH 1/16W 6.8K	1	ERJ2RMJ682X
R331	ERJ2GEJ821X	M.RESISTOR CH 1/16W 820	1	ERJ2RMJ821X
R332	ERJ2GE0R00Y	M.RESISTOR CH 1/16W 0	1	
R333	ERJ2GE0R00Y	M.RESISTOR CH 1/16W 0	1	PV-GS120PP-S
R334	ERJ2GE0R00Y	M.RESISTOR CH 1/16W 0	1	
R335	ERJ2GEJ333X	M.RESISTOR CH 1/16W 33K	1	ERJ2RMJ333X
R336	ERJ2GEJ271	M.RESISTOR CH 1/16W 270	1	
R337	ERJ2GEJ682X	M.RESISTOR CH 1/16W 6.8K	1	ERJ2RMJ682X
R338	ERJ2GEJ473	M.RESISTOR CH 1/16W 47K	1	
R339	ERJ2GEJ682X	M.RESISTOR CH 1/16W 6.8K	1	ERJ2RMJ682X
R340	ERJ2GEJ101Y	M.RESISTOR CH 1/16W 100	1	
R341	ERJ2GEJ821X	M.RESISTOR CH 1/16W 820	1	ERJ2RMJ821X
R342	ERJ2GEJ102	M.RESISTOR CH 1/16W 1K	1	
R343	ERJ2GEJ682X	M.RESISTOR CH 1/16W 6.8K	1	ERJ2RMJ682X
R344	ERJ2GEJ821X	M.RESISTOR CH 1/16W 820	1	ERJ2RMJ821X
R345	ERJ2GEJ682X	M.RESISTOR CH 1/16W 6.8K	1	ERJ2RMJ682X
R347	ERJ2GEJ105	M.RESISTOR CH 1/16W 1M	1	
R348	ERJ2GEJ105	M.RESISTOR CH 1/16W 1M	1	
R350	ERJ2GEJ101Y	M.RESISTOR CH 1/16W 100	1	
R351	ERJ2GE0R00Y	M.RESISTOR CH 1/16W 0	1	PV-GS120PP-S
R352	ERJ2GEJ332X	M.RESISTOR CH 1/16W 3.3K	1	ERJ2RMJ332X
R353	ERJ2GEJ821X	M.RESISTOR CH 1/16W 820	1	ERJ2RMJ821X
R354	ERJ2GEJ332X	M.RESISTOR CH 1/16W 3.3K	1	ERJ2RMJ332X
R355	ERJ2GEJ332X	M.RESISTOR CH 1/16W 3.3K	1	ERJ2RMJ332X
R356	ERJ2GEJ682X	M.RESISTOR CH 1/16W 6.8K	1	ERJ2RMJ682X
R360	ERJ2GEJ821X	M.RESISTOR CH 1/16W 820	1	ERJ2RMJ821X
R361	ERJ2GE0R00Y	M.RESISTOR CH 1/16W 0	1	PV-GS120PP-S
R362	ERJ2GE0R00Y	M.RESISTOR CH 1/16W 0	1	PV-GS200PP-S
R363	ERJ2GE0R00Y	M.RESISTOR CH 1/16W 0	1	PV-GS120PP-S
R364	ERJ2GEJ682X	M.RESISTOR CH 1/16W 6.8K	1	ERJ2RMJ682X
R365	ERJ2GE0R00Y	M.RESISTOR CH 1/16W 0	1	PV-GS200PP-S

Ref. No.	Part No.	Part Name & Description	Pcs	Remarks
R366	ERJ2GEJ821X	M.RESISTOR CH 1/16W 820	1	ERJ2RMJ821X
R367	ERJ2GEJ332X	M.RESISTOR CH 1/16W 3.3K	1	ERJ2RMJ332X
R368	ERJ2GEJ472X	M.RESISTOR CH 1/16W 4.7K	1	ERJ2RMJ472X
R369	ERJ2GEJ821X	M.RESISTOR CH 1/16W 820	1	ERJ2RMJ821X
R370	ERJ2GEJ682X	M.RESISTOR CH 1/16W 6.8K	1	ERJ2RMJ682X
R371	ERJ2GEJ682X	M.RESISTOR CH 1/16W 6.8K	1	ERJ2RMJ682X
R372	ERJ2GEJ473	M.RESISTOR CH 1/16W 47K	1	
R374	ERJ2GEJ473	M.RESISTOR CH 1/16W 47K	1	
R377	ERJ2GEJ682X	M.RESISTOR CH 1/16W 6.8K	1	ERJ2RMJ682X
R378	ERJ2GEJ821X	M.RESISTOR CH 1/16W 820	1	ERJ2RMJ821X
R379	ERJ2GEJ682X	M.RESISTOR CH 1/16W 6.8K	1	ERJ2RMJ682X
R380	ERJ2GEJ821X	M.RESISTOR CH 1/16W 820	1	ERJ2RMJ821X
R381	ERJ2GEJ821X	M.RESISTOR CH 1/16W 820	1	ERJ2RMJ821X
R382	ERJ2GEJ682X	M.RESISTOR CH 1/16W 6.8K	1	ERJ2RMJ682X
R383	ERJ2GEJ821X	M.RESISTOR CH 1/16W 820	1	ERJ2RMJ821X
R384	ERJ2GEJ682X	M.RESISTOR CH 1/16W 6.8K	1	ERJ2RMJ682X
R385	ERJ2GEJ473	M.RESISTOR CH 1/16W 47K	1	
R386	ERJ2GEJ473	M.RESISTOR CH 1/16W 47K	1	
R393	ERJ2GEJ332X	M.RESISTOR CH 1/16W 3.3K	1	ERJ2RMJ332X
R394	ERJ2GEJ332X	M.RESISTOR CH 1/16W 3.3K	1	ERJ2RMJ332X
R450	ERJ8GEY0R00V	M.RESISTOR CH 1/8W 0	1	PV-GS200PP-S
R451	ERJ2GEJ473	M.RESISTOR CH 1/16W 47K	1	PV-GS200PP-S
R452	ERJ2GEJ102	M.RESISTOR CH 1/16W 1K	1	PV-GS200PP-S
R453	ERJ2GEJ101Y	M.RESISTOR CH 1/16W 100	1	PV-GS200PP-S
R454	ERJ2GEJ101Y	M.RESISTOR CH 1/16W 100	1	PV-GS200PP-S
R455	ERJ2GEJ101Y	M.RESISTOR CH 1/16W 100	1	PV-GS200PP-S
R456	ERJ2GEJ101Y	M.RESISTOR CH 1/16W 100	1	PV-GS200PP-S
R457	ERJ2GEJ101Y	M.RESISTOR CH 1/16W 100	1	PV-GS200PP-S
R701	ERJ2GEJ103Y	M.RESISTOR CH 1/16W 10K	1	
R702	ERJ2GEJ473	M.RESISTOR CH 1/16W 47K	1	
R703	ERJ2GEJ103Y	M.RESISTOR CH 1/16W 10K	1	
R704	ERJ2GEJ103Y	M.RESISTOR CH 1/16W 10K	1	
R705	ERJ2GEJ473	M.RESISTOR CH 1/16W 47K	1	
R706	ERJ2GEJ472X	M.RESISTOR CH 1/16W 4.7K	1	ERJ2RMJ472X
R708	ERJ2GEJ151	M.RESISTOR CH 1/16W 150	1	
R711	ERJ3GEY0R00A	M.RESISTOR CH 1/10W 0	1	
R712	ERJ2GEJ472X	M.RESISTOR CH 1/16W 4.7K	1	ERJ2RMJ472X
R713	ERJ2GEJ104	M.RESISTOR CH 1/16W 100K	1	
R714	ERJ2GEJ333X	M.RESISTOR CH 1/16W 33K	1	ERJ2RMJ333X
R715	ERJ2GEJ473	M.RESISTOR CH 1/16W 47K	1	

Ref. No.	Part No.	Part Name & Description	Pcs	Remarks
R716	ERJ2GEJ472X	M.RESISTOR CH 1/16W 4.7K	1	ERJ2RMJ472X
R717	ERJ2GEJ472X	M.RESISTOR CH 1/16W 4.7K	1	ERJ2RMJ472X
R718	ERJ2GEJ472X	M.RESISTOR CH 1/16W 4.7K	1	ERJ2RMJ472X
R719	ERJ2GEJ334X	M.RESISTOR CH 1/16W 330K	1	ERJ2RMJ334X
R720	ERJ2GEJ333X	M.RESISTOR CH 1/16W 33K	1	ERJ2RMJ333X
R721	ERJ2GEJ473	M.RESISTOR CH 1/16W 47K	1	
R722	ERJ2GEJ224	M.RESISTOR CH 1/16W 220K	1	
R723	ERJ6RBB472	M.RESISTOR CH 1/10W 4.7K	1	
R724	ERJ6RBB472	M.RESISTOR CH 1/10W 4.7K	1	
R725	ERJ2GEJ103Y	M.RESISTOR CH 1/16W 10K	1	
R726	ERJ2GEJ103Y	M.RESISTOR CH 1/16W 10K	1	
R727	ERJ2GEJ124	M.RESISTOR CH 1/16W 120K	1	
R728	ERJ2GEJ473	M.RESISTOR CH 1/16W 47K	1	
R729	ERJ2GEJ153	M.RESISTOR CH 1/16W 15K	1	
R730	ERJ2GEJ223	M.RESISTOR CH 1/16W 22K	1	
R731	ERJ2GEJ563X	M.RESISTOR CH 1/16W 56K	1	
R732	ERJ2GEJ333X	M.RESISTOR CH 1/16W 33K	1	ERJ2RMJ333X
R733	ERJ2GEJ563X	M.RESISTOR CH 1/16W 56K	1	
R734	ERJ3GEYJ2R2V	M.RESISTOR CH 1/10W 2.2	1	D0GB2R2JA002
R735	ERJ3GEYJ2R2V	M.RESISTOR CH 1/10W 2.2	1	D0GB2R2JA002
R736	ERJ6GEYJ4R7V	M.RESISTOR CH 1/10W 4.7	1	
R738	ERJ2GEJ473	M.RESISTOR CH 1/16W 47K	1	
R739	ERJ2GEJ472X	M.RESISTOR CH 1/16W 4.7K	1	ERJ2RMJ472X
R740	ERJ2GEJ103Y	M.RESISTOR CH 1/16W 10K	1	
R742	ERJ2GEJ472X	M.RESISTOR CH 1/16W 4.7K	1	ERJ2RMJ472X
R743	ERJ2GEJ472X	M.RESISTOR CH 1/16W 4.7K	1	ERJ2RMJ472X
R746	ERJ2GEJ155	M.RESISTOR CH 1/16W 1.5M	1	
R747	ERJ3GEYJ470	M.RESISTOR CH 1/10W 47	1	
R756	ERJ2GEJ823X	M.RESISTOR CH 1/16W 82K	1	ERJ2RMJ823X
R757	ERJ2GEJ151	M.RESISTOR CH 1/16W 150	1	
R758	ERJ2GEJ563X	M.RESISTOR CH 1/16W 56K	1	
R759	ERJ2GEJ333X	M.RESISTOR CH 1/16W 33K	1	ERJ2RMJ333X
R761	ERJ2GEJ472X	M.RESISTOR CH 1/16W 4.7K	1	ERJ2RMJ472X
R762	ERJ2GEJ103Y	M.RESISTOR CH 1/16W 10K	1	
R763	ERJ2GEJ823X	M.RESISTOR CH 1/16W 82K	1	ERJ2RMJ823X
R764	ERJ2GEJ153	M.RESISTOR CH 1/16W 15K	1	
R766	ERJ2GEJ223	M.RESISTOR CH 1/16W 22K	1	
R767	ERJ2GEJ473	M.RESISTOR CH 1/16W 47K	1	
R769	ERJ2GEJ334X	M.RESISTOR CH 1/16W 330K	1	ERJ2RMJ334X
R772	ERJ2GEJ102	M.RESISTOR CH 1/16W 1K	1	

Ref. No.	Part No.	Part Name & Description	Pcs	Remarks
R773	ERJ2GEJ224	M.RESISTOR CH 1/16W 220K	1	
R774	ERJ2GEJ104	M.RESISTOR CH 1/16W 100K	1	
R775	ERJ3GEYJ221V	M.RESISTOR CH 1/10W 220	1	
R782	ERJ2GEJ472X	M.RESISTOR CH 1/16W 4.7K	1	ERJ2RMJ472X
R783	ERJ2GEJ472X	M.RESISTOR CH 1/16W 4.7K	1	ERJ2RMJ472X
R784	ERJ2GEJ103Y	M.RESISTOR CH 1/16W 10K	1	
R785	ERJ2GEJ103Y	M.RESISTOR CH 1/16W 10K	1	
R795	ERJ2GEJ474	M.RESISTOR CH 1/16W 470K	1	
R796	ERJ2GEJ472X	M.RESISTOR CH 1/16W 4.7K	1	ERJ2RMJ472X
R797	ERJ2GEJ474	M.RESISTOR CH 1/16W 470K	1	
R798	ERJ2GEJ224	M.RESISTOR CH 1/16W 220K	1	
R799	ERJ2GEJ224	M.RESISTOR CH 1/16W 220K	1	
R1108	ERJ2RHD272X	M.RESISTOR CH 1/16W 2.7K	1	PV-GS200PP-S
R1109	ERJ2RHD272X	M.RESISTOR CH 1/16W 2.7K	1	PV-GS200PP-S
R1351	ERJ2RHD104	M.RESISTOR CH 1/16W 100K	1	PV-GS200PP-S
R1351	ERJ2RHD823X	M.RESISTOR CH 1/16W 82K	1	PV-GS120PP-S
R1352	ERJ2RHD163	M.RESISTOR CH 1/16W 16K	1	PV-GS200PP-S
R1352	ERJ2RHD752	M.RESISTOR CH 1/16W 7.5K	1	PV-GS120PP-S
R1353	ERJ2RHD183	M.RESISTOR CH 1/16W 18K	1	
R1354	ERJ2GEJ103Y	M.RESISTOR CH 1/16W 10K	1	
R1355	ERJ2GEJ473	M.RESISTOR CH 1/16W 47K	1	
R1371	ERJ2RHD153	M.RESISTOR CH 1/16W 15K	1	
R1372	ERJ2RHD911	M.RESISTOR CH 1/16W 910	1	
R1373	ERJ2RHD103X	M.RESISTOR CH 1/16W 10K	1	
R1374	ERJ2GEJ123	M.RESISTOR CH 1/16W 12K	1	
R1375	ERJ2GEJ103Y	M.RESISTOR CH 1/16W 10K	1	
R1395	ERJ2GEJ104	M.RESISTOR CH 1/16W 100K	1	
R1396	ERJ6GEYJ392V	M.RESISTOR CH 1/10W 3.9K	1	PV-GS200PP-S
R1396	ERJ6GEYJ332V	M.RESISTOR CH 1/10W 3.3K	1	PV-GS120PP-S
R1397	ERJ6GEYJ392V	M.RESISTOR CH 1/10W 3.9K	1	PV-GS200PP-S
R1397	ERJ6GEYJ332V	M.RESISTOR CH 1/10W 3.3K	1	PV-GS120PP-S
R1398	ERJ2GEJ473	M.RESISTOR CH 1/16W 47K	1	
R1399	ERJ2GEJ223	M.RESISTOR CH 1/16W 22K	1	
R1400	ERJ2GEJ272	M.RESISTOR CH 1/16W 2.7K	1	PV-GS200PP-S
R1400	ERJ2GEJ392X	M.RESISTOR CH 1/16W 3.9K	1	PV-GS120PP-S ERJ2RMJ392X
R1451	ERJ2GEJ473	M.RESISTOR CH 1/16W 47K	1	
R1452	ERJ2GEJ103Y	M.RESISTOR CH 1/16W 10K	1	
R3306	ERJ2GEJ101Y	M.RESISTOR CH 1/16W 100	1	PV-GS200PP-S
R3316	ERJ2GEJ102	M.RESISTOR CH 1/16W 1K	1	PV-GS200PP-S
R3317	ERJ2RHD122	M.RESISTOR CH 1/16W 1.2K	1	PV-GS200PP-S

Ref. No.	Part No.	Part Name & Description	Pcs	Remarks
R3318	ERJ2RHD101	M.RESISTOR CH 1/16W 100	1	PV-GS200PP-S
R3319	ERJ2RHD272X	M.RESISTOR CH 1/16W 2.7K	1	PV-GS200PP-S
R3402	ERJ3GEY0R00A	M.RESISTOR CH 1/10W 0	1	PV-GS200PP-S
R3403	ERJ3GEY0R00A	M.RESISTOR CH 1/10W 0	1	PV-GS200PP-S
R3404	ERJ2GE0R00Y	M.RESISTOR CH 1/16W 0	1	PV-GS200PP-S
R3406	ERJ2GEJ102	M.RESISTOR CH 1/16W 1K	1	PV-GS200PP-S
R3409	ERJ2GE0R00Y	M.RESISTOR CH 1/16W 0	1	PV-GS200PP-S
R3412	ERJ2GE0R00Y	M.RESISTOR CH 1/16W 0	1	PV-GS200PP-S
R3414	ERJ2GEJ473	M.RESISTOR CH 1/16W 47K	1	PV-GS200PP-S
R3415	ERJ2GEJ473	M.RESISTOR CH 1/16W 47K	1	PV-GS200PP-S
R3416	ERJ2GE0R00Y	M.RESISTOR CH 1/16W 0	1	PV-GS200PP-S
R3417	ERJ2GEJ103Y	M.RESISTOR CH 1/16W 10K	1	PV-GS200PP-S
R3418	ERJ2GEJ103Y	M.RESISTOR CH 1/16W 10K	1	PV-GS200PP-S
R3420	ERJ2GEJ473	M.RESISTOR CH 1/16W 47K	1	PV-GS200PP-S
R3421	ERJ2GEJ103Y	M.RESISTOR CH 1/16W 10K	1	PV-GS200PP-S
R3422	ERJ2GE0R00Y	M.RESISTOR CH 1/16W 0	1	PV-GS200PP-S
R3423	ERJ2GE0R00Y	M.RESISTOR CH 1/16W 0	1	PV-GS200PP-S
R3425	ERJ2GEJ473	M.RESISTOR CH 1/16W 47K	1	PV-GS200PP-S
VZ451	VRT0158	TRANSIENT/SURGE ABSORBER	1	PV-GS200PP-S D4ED12710002
VZ452	VRT0158	TRANSIENT/SURGE ABSORBER	1	PV-GS200PP-S D4ED12710002
VZ453	VRT0158	TRANSIENT/SURGE ABSORBER	1	PV-GS200PP-S D4ED12710002
VZ454	VRT0158	TRANSIENT/SURGE ABSORBER	1	PV-GS200PP-S D4ED12710002
X101	H1A5405B0011	CRYSTAL OSCILLATOR	1	PV-GS200PP-S
X101	H1A2705B0024	CRYSTAL OSCILLATOR	1	PV-GS120PP-S
■	VEP001D4B	SIDE-L C.B.A.		(RTL)
B6101	ML-621S/F9D	BATTERY	1	
C2601	ECJ1VC1H080C	C.CAPACITOR CH 50V 8P	1	
C2603	ECJ1ZB1C104K	C.CAPACITOR CH 16V 0.1U	1	
FP6301	K1MN21B00036	CONNECTOR	1	
FP6302	K1MN06B00038	CONNECTOR	1	
IC2601	C1ZBZ0002438	IC	1	
R6301	ERJ6GEYJ102V	M.RESISTOR CH 1/10W 1K	1	
R6303	ERJ3GEYJ471V	M.RESISTOR CH 1/10W 470	1	
R6304	ERJ3GEYJ473V	M.RESISTOR CH 1/10W 47K	1	DOGB473JA002
R6305	ERJ3GEYJ473V	M.RESISTOR CH 1/10W 47K	1	DOGB473JA002
S6302	K0H1BA000436	SWITCH	1	
S6303	VSS0533	SLIDE SWITCH	1	K0D112A00116
VZ6301	VRT0158	TRANSIENT/SURGE ABSORBER	1	D4ED12710002
VZ6307	VRT0158	TRANSIENT/SURGE ABSORBER	1	D4ED12710002

Ref. No.	Part No.	Part Name & Description	Pcs	Remarks
X2601	H0A327200093	CRYSTAL OSCILLATOR	1	
■	VEP001C6A	JACK C.B.A.		(RTL)
C3908	F1G0J105A001	C.CAPACITOR CH 6.3V 1U	1	
C4001	F1G0J105A001	C.CAPACITOR CH 6.3V 1U	1	
C4003	ECJ0EB1E472K	C.CAPACITOR CH 25V 4700P	1	
C4004	ECJ0EB1E472K	C.CAPACITOR CH 25V 4700P	1	
C4901	ECJ0EB1E472K	C.CAPACITOR CH 25V 4700P	1	
C4902	ECJ0EB1E472K	C.CAPACITOR CH 25V 4700P	1	
C4903	F1G0J105A001	C.CAPACITOR CH 6.3V 1U	1	
C4904	F1G0J105A001	C.CAPACITOR CH 6.3V 1U	1	
C4905	ECST0JY226R	T.CAPACITOR CH 6.3V 22U	1	
C4906	ECST0JY226R	T.CAPACITOR CH 6.3V 22U	1	
C4908	F1G0J105A001	C.CAPACITOR CH 6.3V 1U	1	
C4909	ECJ1VB0J105K	C.CAPACITOR CH 6.3V 1U	1	
C4910	ECST0JY226R	T.CAPACITOR CH 6.3V 22U	1	
C4913	F1H0J475A009	C.CAPACITOR CH 6.3V 4.7U	1	
D4901	MA2SD2400L	DIODE	1	
FP6201	VJS4264B033	CONNECTOR	1	
JK3001	VJ0670	S-JACK	1	K2HZ104A0002
JK3901	K2HZ105E0006	JACK	1	
JK3952	K1FA104A0016	JACK	1	
JK4001	K2HC106B0012	JACK	1	
JK4901	K2HC107B0003	JACK	1	
LB3902	J0JAC0000014	FILTER	1	J0JAC0000016
LB4001	J0JBC0000054	INDUCTOR	1	J0JBC0000059
LB4003	J0JAC0000014	FILTER	1	J0JAC0000016
LB4005	J0JAC0000014	FILTER	1	J0JAC0000016
LB4006	J0JAC0000014	FILTER	1	J0JAC0000016
LB4007	J0JBC0000054	INDUCTOR	1	J0JBC0000059
LB4008	J0JBC0000054	INDUCTOR	1	J0JBC0000059
LB4009	J0JAC0000014	FILTER	1	J0JAC0000016
LB4921	J0JAC0000015	FILTER	1	J0JAC0000017
LB4922	J0JAC0000015	FILTER	1	J0JAC0000017
LB4923	J0JAC0000015	FILTER	1	J0JAC0000017
LB4924	J0JAC0000015	FILTER	1	J0JAC0000017
LB4926	J0JAC0000015	FILTER	1	J0JAC0000017
LB4928	J0JAC0000015	FILTER	1	J0JAC0000017
Q4901	2SD2216J0L	TRANSISTOR	1	
Q4902	2SB1462JHL	TRANSISTOR	1	
Q4903	2SD2216J0L	TRANSISTOR	1	
Q4904	2SB1462JHL	TRANSISTOR	1	
Q4907	B1ABBE000002	TRANSISTOR	1	
Q4908	B1ABBE000002	TRANSISTOR	1	
QR4901	B1GDBEHH0001	TRANSISTOR-RESISTOR	1	
R3920	ERJ3GEY0R00A	M.RESISTOR CH 1/10W 0	1	
R3921	ERJ3GEY0R00A	M.RESISTOR CH 1/10W 0	1	
R3922	D1BA27R0A009	RESISTOR	1	
R3923	D1BA27R0A009	RESISTOR	1	

Ref. No.	Part No.	Part Name & Description	Pcs	Remarks
R3951	ERJ2GE0R00Y	M.RESISTOR CH 1/16W 0	1	
R3952	ERJ2GE0R00Y	M.RESISTOR CH 1/16W 0	1	
R3953	ERJ2GE0R00Y	M.RESISTOR CH 1/16W 0	1	
R3954	ERJ2GE0R00Y	M.RESISTOR CH 1/16W 0	1	
R4001	ERJ2GEJ101Y	M.RESISTOR CH 1/16W 100	1	
R4901	ERJ3RBD331	M.RESISTOR CH 1/16W 330	1	
R4902	ERJ2GEJ472X	M.RESISTOR CH 1/16W 4.7K	1	ERJ2RMJ472X
R4904	ERJ3RBD562V	M.RESISTOR CH 1/16W 5.6K	1	
R4905	ERJ2GEJ471X	M.RESISTOR CH 1/16W 470	1	ERJ2RMJ471X
R4906	ERJ3RBD103V	M.RESISTOR CH 1/16W 10K	1	
R4907	VRE0071E154	M.RESISTOR 150K	1	DOHB154ZA004
R4908	ERJ3RBD563	M.RESISTOR CH 1/16W 56K	1	ERJ3RBD563V
R4909	ERJ2GEJ102	M.RESISTOR CH 1/16W 1K	1	
R4910	ERJ2GEJ562X	M.RESISTOR CH 1/16W 5.6K	1	
R4911	ERJ2GEJ151	M.RESISTOR CH 1/16W 150	1	
R4912	ERJ2GEJ471X	M.RESISTOR CH 1/16W 470	1	ERJ2RMJ471X
R4913	ERJ3RBD103V	M.RESISTOR CH 1/16W 10K	1	
R4914	VRE0071E154	M.RESISTOR 150K	1	DOHB154ZA004
R4915	ERJ3RBD563	M.RESISTOR CH 1/16W 56K	1	ERJ3RBD563V
R4916	ERJ2GEJ102	M.RESISTOR CH 1/16W 1K	1	
R4917	ERJ2GEJ562X	M.RESISTOR CH 1/16W 5.6K	1	
R4918	ERJ2GEJ151	M.RESISTOR CH 1/16W 150	1	
R4920	ERJ3RBD562V	M.RESISTOR CH 1/16W 5.6K	1	
R4922	ERJ2GEJ223	M.RESISTOR CH 1/16W 22K	1	
R4923	ERJ2GEJ683X	M.RESISTOR CH 1/16W 68K	1	ERJ2RMJ683X
R4924	ERJ2GEJ473	M.RESISTOR CH 1/16W 47K	1	
S6212	K0L1BB000022	DETECT SWITCH	1	
VZ4001	D4ED1120A002	TRANSIENT/SURGE ABSORBER	1	
VZ4002	D4ED1270A008	TRANSIENT/SURGE ABSORBER	1	
VZ4003	D4ED1270A008	TRANSIENT/SURGE ABSORBER	1	
VZ4004	VRT0158	TRANSIENT/SURGE ABSORBER	1	D4ED12710002
VZ4902	D4ED1120A002	TRANSIENT/SURGE ABSORBER	1	
VZ4903	D4ED1120A002	TRANSIENT/SURGE ABSORBER	1	
■	VEP001D0A	SD HOLDER C.B.A.		(RTL)
C3901	FLG0J105A001	C.CAPACITOR CH 6.3V 1U	1	
C3902	ECJ0EC1H050C	C.CAPACITOR CH 50V 5P	1	
C3905	ECJ0EC1H050C	C.CAPACITOR CH 50V 5P	1	
C3906	ECJ0EC1H050C	C.CAPACITOR CH 50V 5P	1	
C3907	ECJ0EC1H050C	C.CAPACITOR CH 50V 5P	1	
FP6202	K1MN14B00119	CONNECTOR	1	

Ref. No.	Part No.	Part Name & Description	Pcs	Remarks
HS3951	K1NA09E00039	CONNECTOR	1	
R3901	ERJ2GEJ220X	M.RESISTOR CH 1/16W 22	1	ERJ2RMJ220X
R3902	ERJ2GEJ220X	M.RESISTOR CH 1/16W 22	1	ERJ2RMJ220X
R3903	ERJ2GEJ220X	M.RESISTOR CH 1/16W 22	1	ERJ2RMJ220X
R3904	ERJ2GEJ220X	M.RESISTOR CH 1/16W 22	1	ERJ2RMJ220X
R3905	ERJ2GEJ220X	M.RESISTOR CH 1/16W 22	1	ERJ2RMJ220X
R3906	ERJ2GEJ220X	M.RESISTOR CH 1/16W 22	1	ERJ2RMJ220X
R3907	ERJ2GEJ220X	M.RESISTOR CH 1/16W 22	1	ERJ2RMJ220X
R3908	ERJ2GEJ220X	M.RESISTOR CH 1/16W 22	1	ERJ2RMJ220X
R3909	ERJ2GEJ472X	M.RESISTOR CH 1/16W 4.7K	1	ERJ2RMJ472X
R3910	ERJ2GEJ472X	M.RESISTOR CH 1/16W 4.7K	1	ERJ2RMJ472X
R3912	ERJ2GEJ472X	M.RESISTOR CH 1/16W 4.7K	1	ERJ2RMJ472X
R3913	ERJ2GEJ472X	M.RESISTOR CH 1/16W 4.7K	1	ERJ2RMJ472X
■	VEP001C9A	R-RELAY C.B.A.		
D6601	B3AAB0000037	LED	1	
FP6601	K1MN06A00016	CONNECTOR 6P	1	
S6601	K0H1BA000436	SWITCH	1	
S6602	K0H1BA000436	SWITCH	1	
■	VEP001C8A	LCD DET C.B.A.		(RTL)
S6701	K0L1BA000102	SWITCH	1	
■	VEP001C2B	SD OPEN C.B.A.		(RTL)
LB6801	VLF1144A102	COIL 1000UH	1	
S6801	K0L1BB000022	DETECT SWITCH	1	
■	VEP001G3A	PL C.B.A.		(RTL)
D924	SML-310MT	LED	1	B3ABB0000091
■	VEP08334B	MONITOR C.B.A.		(RTL) PV-GS200PP-S
■	VEP08336A	MONITOR C.B.A.		(RTL) PV-GS120PP-S
C901	ECJ0EB1C103K	C.CAPACITOR CH 16V 0.01U	1	
C902	ECST0GY226R	T.CAPACITOR CH 4V 22U	1	PV-GS200PP-S
C902	ECST0JY106R	T.CAPACITOR CH 6.3V 10U	1	PV-GS120PP-S
C903	ECJ1VB0J105K	C.CAPACITOR CH 6.3V 1U	1	
C904	ECJ0EB1A104K	C.CAPACITOR CH 10V 0.1U	1	
C905	ECJ0EB1A104K	C.CAPACITOR CH 10V 0.1U	1	
C906	ECJ0EB1A104K	C.CAPACITOR CH 10V 0.1U	1	
C910	ECJ1VB0J105K	C.CAPACITOR CH 6.3V 1U	1	
C911	ECJ1VB0J105K	C.CAPACITOR CH 6.3V 1U	1	
C912	ECJ1VB0J105K	C.CAPACITOR CH 6.3V 1U	1	
C913	ECJ1VB0J105K	C.CAPACITOR CH 6.3V 1U	1	

Ref. No.	Part No.	Part Name & Description	Pcs	Remarks
C914	ECJ1VB0J105K	C.CAPACITOR CH 6.3V 1U	1	PV-GS200PP-S
C915	F1H1A105A028	C.CAPACITOR CH 10V 1U	1	PV-GS200PP-S
C916	F1J1A475A023	C.CAPACITOR CH 10V 4.7U	1	PV-GS200PP-S
C917	ECJ0EB1A104K	C.CAPACITOR CH 10V 0.1U	1	PV-GS200PP-S
C919	ECJ1VB0J105K	C.CAPACITOR CH 6.3V 1U	1	PV-GS120PP-S
C920	ECJ1VB0J105K	C.CAPACITOR CH 6.3V 1U	1	PV-GS120PP-S
C921	F1J1A475A023	C.CAPACITOR CH 10V 4.7U	1	PV-GS200PP-S
C921	ECJ2YB1C105K	C.CAPACITOR CH 16V 1U	1	PV-GS120PP-S
C922	ECJ1VB0J105K	C.CAPACITOR CH 6.3V 1U	1	PV-GS120PP-S
C923	F1J0J106A014	C.CAPACITOR CH 6.3V 10U	1	
C924	ECJ1VB0J105K	C.CAPACITOR CH 6.3V 1U	1	PV-GS200PP-S
C925	ECJ2YB1A225K	C.CAPACITOR CH 10V 2.2U	1	PV-GS200PP-S
C925	ECJ2YB1C105K	C.CAPACITOR CH 16V 1U	1	PV-GS120PP-S
C926	ECJ1ZB1C104K	C.CAPACITOR CH 16V 0.1U	1	
C933	ECJ1VB0J105K	C.CAPACITOR CH 6.3V 1U	1	
D901	MAZ80560ML	ZENNER DIODE	1	PV-GS200PP-S
D902	02DZ6.2YTPH3	DIODE	1	B0BC6R100014
D905	B3AFB0000061	LED	1	
D906	B3AFB0000061	LED	1	
D907	B3AFB0000061	LED	1	
D908	B3AFB0000061	LED	1	
D909	B3AFB0000061	LED	1	
D910	B3AFB0000061	LED	1	
D911	B3AFB0000061	LED	1	
D912	B3AFB0000061	LED	1	
D913	B3AFB0000061	LED	1	PV-GS120PP-S
FP901	K1MN24B00092	CONNECTOR	1	
FP902	K1MN23B00054	CONNECTOR	1	
FP904	VJS3319B005	CONNECTOR	1	
IC901	AN12530A-VT	IC	1	
IC903	C0CBCAB00006	IC	1	
L901	G1C100KA0055	CHIP INDUCTOR 10UH	1	PV-GS200PP-S
Q901	XP4654	TRANSISTOR-TRANSISTOR	1	XP04654
Q902	2SD2216J0L	TRANSISTOR	1	
Q903	2SD2216J0L	TRANSISTOR	1	
Q904	2SD2216J0L	TRANSISTOR	1	
Q905	XP4654	TRANSISTOR-TRANSISTOR	1	XP04654
Q906	2SD2216J0L	TRANSISTOR	1	
Q907	2SD2216J0L	TRANSISTOR	1	
Q908	2SD2216J0L	TRANSISTOR	1	
Q909	2SD2216J0L	TRANSISTOR	1	
Q910	2SD2216J0L	TRANSISTOR	1	
Q911	2SD2216J0L	TRANSISTOR	1	PV-GS120PP-S
Q912	B1ADBE000001	TRANSISTOR	1	PV-GS120PP-S
Q913	B1ADBE000001	TRANSISTOR	1	PV-GS200PP-S
Q913	XP1501	TRANSISTOR-TRANSISTOR	1	PV-GS120PP-S XP01501
Q914	B1ADGD000005	TRANSISTOR	1	
Q915	2SD2216J0L	TRANSISTOR	1	
Q916	B1ADBE000001	TRANSISTOR	1	
QR902	UN9214JTX	TRANSISTOR-RESISTOR	1	PV-GS120PP-S
QR906	UN9214JTX	TRANSISTOR-RESISTOR	1	PV-GS120PP-S

Ref. No.	Part No.	Part Name & Description	Pcs	Remarks
QR907	B1GDBEH0001	TRANSISTOR-RESISTOR	1	PV-GS120PP-S
QR913	UNR9215J0L	TRANSISTOR-RESISTOR	1	
R901	ERJ3GEYD153V	M.RESISTOR CH 1/10W 15K	1	DOHB153ZA002
R902	ERJ6GEY0R00V	M.RESISTOR CH 1/8W 0	1	DOGBR00JA017
R903	ERJ3GEYJ152	M.RESISTOR CH 1/10W 1.5K	1	PV-GS200PP-S
R903	ERJ3GEYJ682V	M.RESISTOR CH 1/10W 6.8K	1	PV-GS120PP-S DOGB682JA002
R905	ERJ3GEY0R00A	M.RESISTOR CH 1/10W 0	1	
R906	ERJ3GEY0R00A	M.RESISTOR CH 1/10W 0	1	
R907	ERJ3GEY0R00A	M.RESISTOR CH 1/10W 0	1	
R908	ERJ6GEY0R00V	M.RESISTOR CH 1/8W 0	1	PV-GS120PP-S DOGBR00JA017
R909	ERJ3GEY0R00A	M.RESISTOR CH 1/10W 0	1	
R910	ERJ3GEY0R00A	M.RESISTOR CH 1/10W 0	1	
R911	ERJ3GEY0R00A	M.RESISTOR CH 1/10W 0	1	
R912	ERJ3GEYJ102A	M.RESISTOR CH 1/10W 1K	1	
R913	ERJ3GEYJ102A	M.RESISTOR CH 1/10W 1K	1	
R915	ERJ3GEYJ102A	M.RESISTOR CH 1/10W 1K	1	
R917	ERJ6GEY0R00V	M.RESISTOR CH 1/8W 0	1	DOGBR00JA017
R918	ERJ3RED270	M.RESISTOR CH 1/16W 27	1	
R919	ERJ3GEYJ683V	M.RESISTOR CH 1/10W 68K	1	DOGB683JA002
R920	ERJ3GEYJ101	M.RESISTOR CH 1/10W 100	1	DOGB101JA002
R921	ERJ3GEYJ101	M.RESISTOR CH 1/10W 100	1	DOGB101JA002
R922	ERJ3GEYJ101	M.RESISTOR CH 1/10W 100	1	DOGB101JA002
R923	ERJ3GEYJ101	M.RESISTOR CH 1/10W 100	1	PV-GS200PP-S DOGB101JA002
R923	ERJ3RBD103V	M.RESISTOR CH 1/16W 10K	1	PV-GS120PP-S
R924	ERJ3RED270	M.RESISTOR CH 1/16W 27	1	
R925	ERJ3RED270	M.RESISTOR CH 1/16W 27	1	
R926	ERJ3GEYJ102A	M.RESISTOR CH 1/10W 1K	1	
R927	ERJ3GEYJ104	M.RESISTOR CH 1/10W 100K	1	PV-GS200PP-S
R927	ERJ3RBD561	M.RESISTOR CH 1/16W 560	1	PV-GS120PP-S
R928	ERJ3GEYJ333V	M.RESISTOR CH 1/10W 33K	1	PV-GS120PP-S DOGB333JA002
R929	ERA3YED332	CHIP RESISTOR	1	PV-GS120PP-S
R930	ERJ3RBD103V	M.RESISTOR CH 1/16W 10K	1	PV-GS200PP-S
R930	ERJ3GEYJ333V	M.RESISTOR CH 1/10W 33K	1	PV-GS120PP-S DOGB333JA002
R931	ERJ3RED270	M.RESISTOR CH 1/16W 27	1	
R932	ERJ3RED270	M.RESISTOR CH 1/16W 27	1	
R933	ERJ3RED270	M.RESISTOR CH 1/16W 27	1	
R934	ERJ3RED270	M.RESISTOR CH 1/16W 27	1	
R935	ERJ3RED270	M.RESISTOR CH 1/16W 27	1	
R936	ERJ3RED270	M.RESISTOR CH 1/16W 27	1	PV-GS120PP-S
R937	ERJ3RBD473	M.RESISTOR CH 1/16W 47K	1	PV-GS200PP-S

Ref. No.	Part No.	Part Name & Description	Pcs	Remarks
R939	ERJ3GEYJ472A	M.RESISTOR CH 1/10W 4.7K	1	PV-GS200PP-S
R939	ERJ3RBD103V	M.RESISTOR CH 1/16W 10K	1	PV-GS120PP-S
R940	ERJ3RBD221	M.RESISTOR CH 1/16W 220	1	PV-GS120PP-S
R941	ERJ3RBD122V	M.RESISTOR CH 1/16W 1.2K	1	PV-GS200PP-S
R941	ERJ3RBD103V	M.RESISTOR CH 1/16W 10K	1	PV-GS120PP-S
R942	ERJ3RBD273V	M.RESISTOR CH 1/16W 27K	1	PV-GS200PP-S
R943	ERJ3RBD103V	M.RESISTOR CH 1/16W 10K	1	PV-GS200PP-S
R946	ERJ3RED510	M.RESISTOR CH 1/16W 51	1	
R947	ERJ3GEYJ333V	M.RESISTOR CH 1/10W 33K	1	PV-GS120PP-S D0GB333JA002
R948	ERJ3GEYJ103	M.RESISTOR CH 1/10W 10K	1	
R949	ERJ3GEYJ103	M.RESISTOR CH 1/10W 10K	1	
R952	ERJ3GEYJ473V	M.RESISTOR CH 1/10W 47K	1	PV-GS120PP-S D0GB473JA002
R953	ERJ3GEYJ332V	M.RESISTOR CH 1/10W 3.3K	1	PV-GS120PP-S D0GB332JA002
R954	ERJ3GEYD153V	M.RESISTOR CH 1/10W 15K	1	PV-GS120PP-S D0HB153ZA002
R955	ERJ3RBD473	M.RESISTOR CH 1/16W 47K	1	PV-GS120PP-S
R956	ERJ3GEY0R00A	M.RESISTOR CH 1/10W 0	1	PV-GS120PP-S
R957	ERJ3RBD183	M.RESISTOR CH 1/16W 18K	1	PV-GS120PP-S
R959	ERJ3GEYJ473V	M.RESISTOR CH 1/10W 47K	1	D0GB473JA002
R960	ERJ3GEYJ183V	M.RESISTOR CH 1/10W 18K	1	PV-GS200PP-S D0GB183JA002
R960	ERJ3GEYJ104	M.RESISTOR CH 1/10W 100K	1	PV-GS120PP-S
R961	ERJ3GEYJ823V	M.RESISTOR CH 1/10W 82K	1	D0GB823JA002
R962	ERJ3GEYJ224V	M.RESISTOR CH 1/10W 220K	1	D0GB224JA002
R963	ERJ3GEYJ104	M.RESISTOR CH 1/10W 100K	1	PV-GS200PP-S
R983	ERJ3GEY0R00A	M.RESISTOR CH 1/10W 0	1	PV-GS200PP-S
R985	ERJ3GEYJ122	M.RESISTOR CH 1/10W 1.2K	1	PV-GS200PP-S
R986	ERJ3GEYJ122	M.RESISTOR CH 1/10W 1.2K	1	PV-GS200PP-S
VZ902	VRT0158	TRANSIENT/SURGE ABSORBER	1	D4ED12710002
■	VEP29159A	EVF B/L C.B.A.		(RTL)
C801	ECJ0EB1A104K	C.CAPACITOR CH 10V 0.1U	1	
C802	ECJ0EB1A104K	C.CAPACITOR CH 10V 0.1U	1	
C803	F1H1A105A028	C.CAPACITOR CH 10V 1U	1	
D801	B3AFB0000052	LED	1	
D802	MAZ80560ML	ZENNER DIODE	1	
D803	02DZ6.2YTPH3	DIODE	1	B0BC6R100014
D804	MA3S13300L	DIODE	1	
FP801	VJS3320D018	CONNECTOR	1	K1MN18B00037
FP802	K1MN20B00106	CONNECTOR	1	
Q801	2SD2216J0L	TRANSISTOR	1	
R801	ERJ3GEYJ472A	M.RESISTOR CH 1/10W 4.7K	1	
R802	ERJ3GEYJ122	M.RESISTOR CH 1/10W 1.2K	1	

Ref. No.	Part No.	Part Name & Description	Pcs	Remarks
R803	ERJ3GEYJ152	M.RESISTOR CH 1/10W 1.5K	1	
R804	ERJ3RED680	M.RESISTOR CH 1/16W 68	1	ERJ3RED680V
R805	ERJ3GEYJ105	M.RESISTOR CH 1/10W 1M	1	
R806	ERJ3GEY0R00A	M.RESISTOR CH 1/10W 0	1	
■	VEP04854A	FRONT C.B.A.		PV-GS200PP-S
■	VEP04854B	FRONT C.B.A.		PV-GS120PP-S
C491	ECJ0EB1A104K	C.CAPACITOR CH 10V 0.1U	1	
C492	ECJ1VB1A224K	C.CAPACITOR CH 10V 0.22U	1	
C493	ECJ1VB1A224K	C.CAPACITOR CH 10V 0.22U	1	
C4801	ECJ0EB1C103K	C.CAPACITOR CH 16V 0.01U	1	
C4802	ECJ0EB1C103K	C.CAPACITOR CH 16V 0.01U	1	
C4803	ECUE1E332KBQ	C.CAPACITOR CH 25V 3300P	1	ECJ0EB1E332K
C4804	ECUE1E332KBQ	C.CAPACITOR CH 25V 3300P	1	ECJ0EB1E332K
C4805	ECJ0EB1C103K	C.CAPACITOR CH 16V 0.01U	1	
C4806	ECJ0EB1C103K	C.CAPACITOR CH 16V 0.01U	1	
C4807	FLJ0J475A008	C.CAPACITOR CH 6.3V 4.7U	1	
C4808	ECST0JY226R	T.CAPACITOR CH 6.3V 22U	1	
C4811	ECJ1VB0J105K	C.CAPACITOR CH 6.3V 1U	1	
C4812	ECJ1VB0J105K	C.CAPACITOR CH 6.3V 1U	1	
C4899	ECJ1VB0J105K	C.CAPACITOR CH 6.3V 1U	1	
C6401	FLJ0J106A014	C.CAPACITOR CH 6.3V 10U	1	
C7001	ECJ0EB1C223K	C.CAPACITOR CH 16V 0.022U	1	PV-GS200PP-S
C7002	ECJ0EB1E102K	C.CAPACITOR CH 25V 1000P	1	PV-GS200PP-S
C7003	ECJ0EB1C103K	C.CAPACITOR CH 16V 0.01U	1	PV-GS200PP-S
C7004	F2AZZ6500001	ALUMINUM NON-SOLID E	1	PV-GS200PP-S
C7006	ECJ0EB1A104K	C.CAPACITOR CH 10V 0.1U	1	PV-GS200PP-S
C7010	F1H1C105A095	C.CAPACITOR CH 16V 1U	1	PV-GS200PP-S
D491	MA132WA	DIODE	1	MA3S132D
D6801	B3AAB0000037	LED	1	
D6802	B3GA00000037	PHOTO DIODE	1	
D7003	B0ECKT000001	DIODE	1	PV-GS200PP-S
D7004	MA5Z300-L	DIODE	1	PV-GS200PP-S
FP4801	K1MN24A00051	CONNECTOR	1	PV-GS200PP-S
FP4801	K1MN18A00055	CONNECTOR	1	PV-GS120PP-S
FP7001	VJS4297B006	CONNECTOR	1	PV-GS200PP-S K1MN06B00057
FP7002	VJS3971D027	CONNECTOR	1	PV-GS200PP-S K1MN27B00008
IC4801	C0ABBB000105	IC	1	
IC7001	C0JBAA000115	IC	1	PV-GS200PP-S
IC7003	BLJBLP000004	IC	1	PV-GS200PP-S
IR6401	B3RAB0000030	IR RECEIVER	1	
L7001	G1C560MA0024	CHIP INDUCTOR 56UH	1	PV-GS200PP-S
Q491	2SD1030	TRANSISTOR	1	
Q492	BLABBE000002	TRANSISTOR	1	

Ref. No.	Part No.	Part Name & Description	Pcs	Remarks
Q4803	2SD1819AWL	TRANSISTOR	1	2SD1819A0L
Q7001	B1BDDG000007	TRANSISTOR	1	PV-GS200PP-S
Q7002	2SB1462JHL	TRANSISTOR	1	PV-GS200PP-S
Q7003	B1ABBE000002	TRANSISTOR	1	PV-GS200PP-S
QR7001	UN921F	TRANSISTOR	1	PV-GS200PP-S
R491	ERJ2GEJ225X	M.RESISTOR CH 1/16W 2.2M	1	ERJ2RMJ225X
R492	ERJ2GEJ334X	M.RESISTOR CH 1/16W 330K	1	ERJ2RMJ334X
R493	ERJ2GEJ472X	M.RESISTOR CH 1/16W 4.7K	1	ERJ2RMJ472X
R494	ERJ2GEJ182	M.RESISTOR CH 1/16W 1.8K	1	
R495	ERJ3GEYJ106	M.RESISTOR CH 1/10W 10M	1	
R4801	ERJ6GEYJ392V	M.RESISTOR CH 1/10W 3.9K	1	
R4802	ERJ6GEYJ392V	M.RESISTOR CH 1/10W 3.9K	1	
R4803	ERJ2GEJ683X	M.RESISTOR CH 1/16W 68K	1	ERJ2RMJ683X
R4804	ERJ2GEJ683X	M.RESISTOR CH 1/16W 68K	1	ERJ2RMJ683X
R4805	ERJ2GEJ394X	M.RESISTOR CH 1/16W 390K	1	ERJ2RMJ394X
R4806	ERJ2GEJ394X	M.RESISTOR CH 1/16W 390K	1	ERJ2RMJ394X
R4813	ERJ2GEJ223	M.RESISTOR CH 1/16W 22K	1	
R4814	ERJ2GEJ333X	M.RESISTOR CH 1/16W 33K	1	ERJ2RMJ333X
R4815	ERJ2GEJ472X	M.RESISTOR CH 1/16W 4.7K	1	ERJ2RMJ472X
R6401	ERJ3GEY0R00A	M.RESISTOR CH 1/10W 0	1	
R6402	ERJ3GEYJ470	M.RESISTOR CH 1/10W 47	1	
R6803	ERJ3GEYJ331V	M.RESISTOR CH 1/10W 330	1	
R7001	ERJ6GEYJ330V	M.RESISTOR CH 1/10W 33	1	PV-GS200PP-S
R7002	ERJ2GEJ393X	M.RESISTOR CH 1/16W 39K	1	PV-GS200PP-S ERJ2RMJ393X
R7003	ERJ2GEJ222	M.RESISTOR CH 1/16W 2.2K	1	PV-GS200PP-S
R7004	ERJ2GEJ822X	M.RESISTOR CH 1/16W 8.2K	1	PV-GS200PP-S ERJ2RMJ822X
R7005	ERJ2GEJ334X	M.RESISTOR CH 1/16W 330K	1	PV-GS200PP-S ERJ2RMJ334X
R7006	ERJ2GEJ564X	M.RESISTOR CH 1/16W 560K	1	PV-GS200PP-S ERJ2RMJ564X
R7008	ERJ2GEJ330X	M.RESISTOR CH 1/16W 33	1	PV-GS200PP-S
R7010	ERJ2GEJ473	M.RESISTOR CH 1/16W 47K	1	PV-GS200PP-S
R7018	ERJ2GEJ681X	M.RESISTOR CH 1/16W 680	1	PV-GS200PP-S ERJ2RMJ681X
R7019	ERJ2GEJ220X	M.RESISTOR CH 1/16W 22	1	PV-GS200PP-S ERJ2RMJ220X
R7022	ERJ2GEJ102	M.RESISTOR CH 1/16W 1K	1	PV-GS200PP-S
T7001	G5DYA0000033	SWITCHING TRANSFORMER	1	PV-GS200PP-S G5DYA0000032
VZ4801	D4ED1270A003	TRANSIENT/SURGE ABSORBER	1	
VZ4802	D4ED1270A003	TRANSIENT/SURGE ABSORBER	1	