



金聖泰實業股份有限公司  
**KINGSTONE COMPONENT INC.**



## **Axial Piston Pump Series PV**

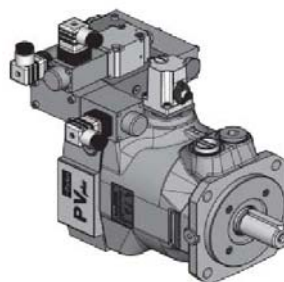
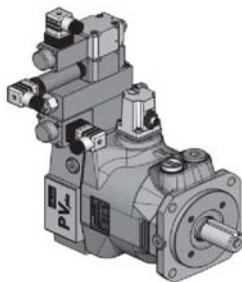
*Design 45*

*Variable Displacement*

**PV016、PV020、PV023、PV032、PV040、PV046**

*Catalogue HY30-3245/UK*

*February 2007*

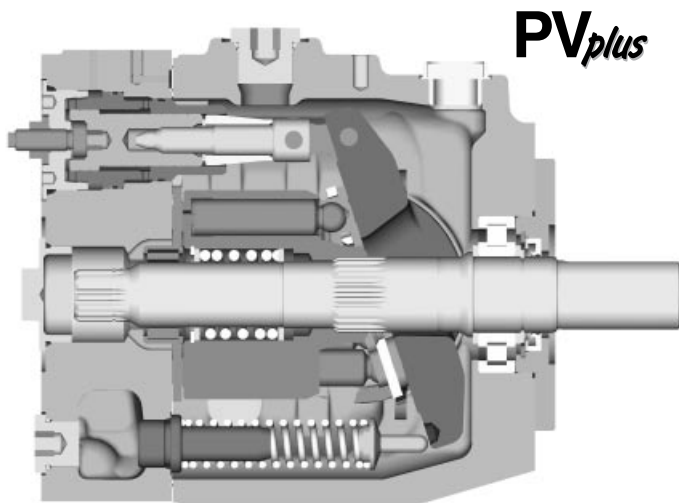


**KINGSTONE COMPONENT INC.** is the world's premier supplier of motion and control systems and solutions, with sales and manufacturing facilities throughout the world. For product information and details of your nearest KINGSTONE sales office, visit us at <http://www.kstci.com.tw/> or [service@kstci.com.tw](mailto:service@kstci.com.tw) or +886 2 8732-8566

| <b>Contents</b>                           | <b>Page</b> |
|---|-------------|
| Introduction and general Information..... | 3           |
| Technical Data.....                       | 3           |
| Technical Features .....                  | 3           |
| Ordering Code.....                        | 4-5         |
| Noise Levels .....                        | 6           |
| Efficiency and Case Drain Flows.....      | 7-8         |
| Dimensions.....                           | 9-12        |
| Mounting kits .....                       | 13          |
| <b>Pump combinations</b>                  |             |
| Thru Drive, Shaft Load Limitations.....   | 14          |
| <b>Compensators</b>                       |             |
| Compensator Dimensions.....               | 15          |
| Pressure Compensators .....               | 16-17       |
| Power Compensators.....                   | 18          |
| Power Compensators.....                   | 19          |
| Electrohydraulic p/Q control .....        | 20          |
| Electronic Module PQDXXA (digital).....   | 21          |
| Control Module Programming .....          | 22          |

**With thru drive for single and multiple pumps**

Swash plate type for open circuit



**Technical Features**

- Low noise level
- Fast response (eg. PV046: upstroke <70ms, downstroke <40ms)
- Service-friendly
- High self-priming speed
- Compact design
- Thru drive for 100% nominal torque

**Technical Data**

| Size  |                         | PV016  | PV020  | PV023  | PV032  | PV040  | PV046  |
|---|-------------------------|--------|--------|--------|--------|--------|--------|
| Max. Displacement                                 | [cm <sup>3</sup> /rev.] | 16     | 20     | 23     | 32     | 40     | 46     |
| Output flow at 1500 min <sup>-1</sup>             | [l/min]                 | 24     | 30     | 34,5   | 48     | 60     | 69     |
| Nominal pressure pN                               | [bar]                   | 350    | 350    | 350    | 350    | 350    | 350    |
| Max. pressure pmax <sup>1)</sup>                  | [bar]                   | 420    | 420    | 420    | 420    | 420    | 420    |
| Max. Case drain pressure                          | [bar]                   | 2      | 2      | 2      | 2      | 2      | 2      |
| Min. Inlet pressure                               | [bar]                   | 0,8    | 0,8    | 0,8    | 0,8    | 0,8    | 0,8    |
| Max. Inlet pressure                               | [bar]                   | 16     | 16     | 16     | 16     | 16     | 16     |
| Input power at 1500 min <sup>-1</sup> and 350 bar | [kW]                    | 15,5   | 19,5   | 22,5   | 31     | 39     | 45     |
| Max speed <sup>2)</sup>                           | [min <sup>-1</sup> ]    | 3000   | 3000   | 3000   | 2800   | 2800   | 2800   |
| Moment of inertia                                 | [kgm <sup>2</sup> ]     | 0,0017 | 0,0017 | 0,0017 | 0,0043 | 0,0043 | 0,0043 |
| Weight  | [kg]                    | 19     | 19     | 19     | 30     | 30     | 30     |

1) Maximum 20% of the working cycle.

2) The maximum speed ratings are shown for an inlet pressure of 1 bar (absolute) and for a fluid viscosity of  $\nu = 30 \text{ mm}^2/\text{s}$

**General Information**

**Fluid recommendations**

Premium quality hydraulic mineral fluid are recommended, like HLP oils to DIN 51522, part 2.

**Viscosity**

The normal operating viscosity should range between 16 and 100 mm<sup>2</sup>/s (cSt). Max. start-up viscosity is 800 mm<sup>2</sup>/s (cSt).

**Seals**

NBR (nitrile) seals are used for operation with hydraulic fluids based on mineral oil. For synthetic fluids, such as phosphoric acid esters, Fluorocarbon seal are required.

**Filtration**

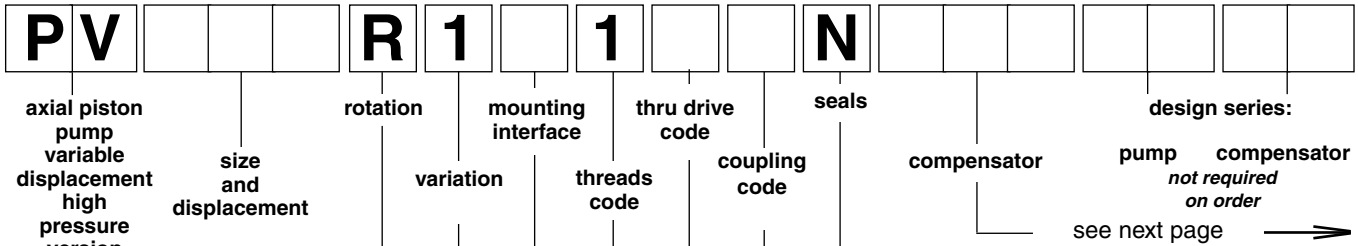
For maximum pump and system component functionality and life, the system should be protected from contamination by effective filtration.

Fluid cleanliness should be in accordance with ISO classification ISO 4406:1999. The quality of filter elements should be in accordance with ISO standards.

Minimum requirement for filtration rate x (mm); General hydraulic systems for satisfactory operation: Class 20/18/15, according to ISO 4406:1999

Hydraulic systems with maximised component life and functionality:

Class 18/16/13, according to ISO 4406:1999



axial piston pump variable displacement high pressure version

| code | displacement            |
|------|-------------------------|
| 016  | 16 cm <sup>3</sup> /rev |
| 020  | 20 cm <sup>3</sup> /rev |
| 023  | 23 cm <sup>3</sup> /rev |
| 032  | 32 cm <sup>3</sup> /rev |
| 040  | 40 cm <sup>3</sup> /rev |
| 046  | 46 cm <sup>3</sup> /rev |

| code | rotation  |
|------|-----------|
| R    | clockwise |

| code | variation |
|------|-----------|
| 1    | standard  |

| code | mounting interface      | shaft             |
|------|-------------------------|-------------------|
| K    | metr. ISO 4-hole flange | cylindric, key    |
| L    | 3019/2 4-hole flange    | splined, DIN 5480 |

rotation

variation

mounting interface

thru drive code

thru drive code

coupling code

seals

compensator

design series:

pump compensator not required on order

see next page →

| code | material      |
|------|---------------|
| N    | NBR (nitrile) |

| code | thru drive coupling option            |
|------|---------------------------------------|
| 1    | single pump, no coupling              |
| H    | with coupling 25 x 1,5 x 15, DIN 5480 |
| J    | with coupling 32 x 1,5 x 20, DIN 5480 |
| Y    | with SAE coupling 9T-16/32 DP         |
| A    | with SAE coupling 11T-16/32 DP        |
| B    | with SAE coupling 13T-16/32 DP        |
| C    | with SAE coupling 15T-16/32 DP        |
| D    | with SAE coupling 14T-12/24 DP        |

| code | ports <sup>1)</sup> | threads <sup>2)</sup> |
|------|---------------------|-----------------------|
| 1    | BSPP                | metrisch              |

1) refers to drain, gage and flushing port,  
 2) refers to all mounting threads

| code                           | thru drive option                    |
|--------------------------------|--------------------------------------|
| <b>no thru drive adapter</b>   |                                      |
| T                              | single pump, prepared for thru drive |
| <b>with thru drive adapter</b> |                                      |
| Y <sup>3)</sup>                | SAE AA, Ø 50.8 mm                    |
| A                              | SAE A, Ø 82.55 mm                    |
| B                              | SAE B, Ø 101.6 mm                    |
| C <sup>4)</sup>                | SAE C, Ø 127 mm                      |
| G                              | metric, Ø 63 mm                      |
| H                              | metric, Ø 80 mm                      |
| J                              | metric, Ø 100 mm                     |
| K <sup>4)</sup>                | metric, Ø 125 mm                     |

See dimensional drawing for details

<sup>3)</sup> only for PV016 - PV023

<sup>4)</sup> only for PV032 and larger

**bold letters = preferred program**



compensator

design series:  
 pump compensator  
*not required on order*

| code                  |   |   | compensator style   |
|-----------------------|---|---|---|
| 0                     | 0 | 1 | no compensator  |
| compensator version   |   |   |   |
| M                     | M |   | standard pressure compensator, no control port                              |
| M                     | R |   | remote pressure compensator, control port on compensator body side          |
| M                     | F |   | flow (load sensing) compensator, load sensing port on compensator body side |
| compensator variation |   |   |   |
|                       |   | C | standard variation, no topside interface for pilot valves                   |
|                       |   | 1 | topside NG6 /CETOP 3 interface for pilot valves                             |

| code                      |   |   | compensator style  |
|---------------------------|---|---|--|
| electro hydraulic control |   |   |  |
| F                         | P | V | closed loop displacement control only, no pressure compensation              |
| function                  |   |   |  |
| U                         | P |   | closed loop proportional displacement control with pressure compensation     |
| compensator version       |   |   |  |
|                           |   | R | remote pressure compensation, NG6 /CETOP 3 interface for pilot valves        |
|                           |   | D | version UPR, with proportional pilot valve type PVACPPU..35 mounted          |
|                           |   | G | version UPD, with pressure sensor for closed loop pressure and power control |

| displacement        |     | code | compensator style                            |
|---------------------|-----|------|--|
| power control       |     |      |  |
| 016                 | 032 |      | nominal power at 1.500 rev/min               |
| 023                 | 046 |      |  |
|                     |     | B    | 3 kW   |
|                     |     | C    | 4 kW   |
|                     |     | D    | 5,5 kW                                       |
|                     |     | E    | 7,5 kW                                       |
|                     |     | G    | 11 kW  |
|                     |     | H    | 15 kW  |
|                     |     | K    | 18,5 kW                                      |
|                     |     | M    | 22 kW  |
|                     |     | S    | 30 kW  |
| function            |     |      |  |
|                     |     | L    | power control                                |
|                     |     | C    | power control and load sensing               |
| compensator version |     |      |  |
|                     |     | C    | integrated, adjustable pressure compensation |
|                     |     | 1    | topside NG6 / CETOP 3 interface              |

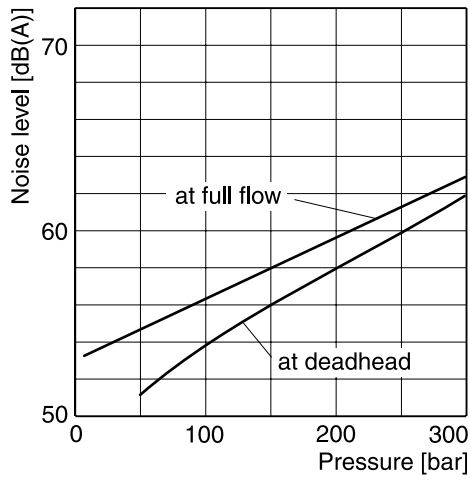
**Note:**

**Compensator differential  $\Delta p$**  is factory pre-set to:

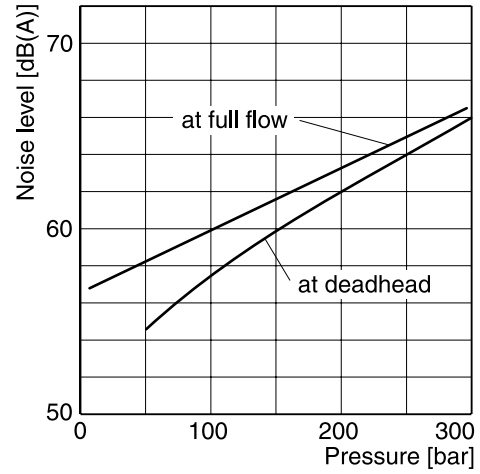
remote compensators, power control **15 ± 1 bar**

load sensing comp. (not power control) (codes ...MF\*) **10 ± 1 bar**

**PV016 - PV023**



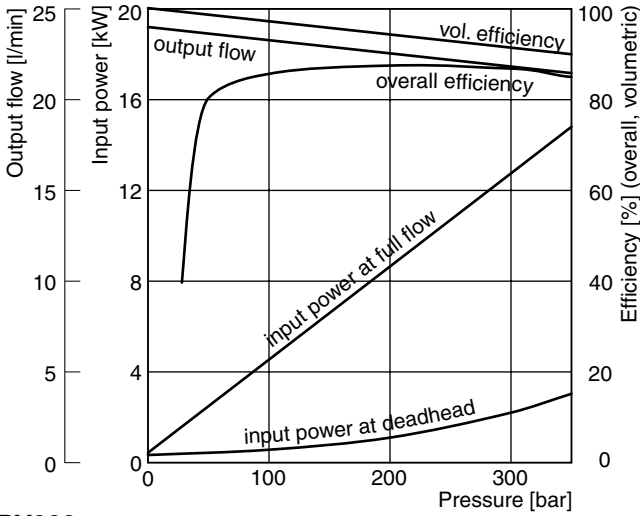
**PV032 - PV046**



Typical sound level for single pumps, measured in anechoic chamber according to DIN 45 635, part 1 and 26. Microphone distance 1m; speed:  $n = 1500 \text{ min}^{-1}$ .

All data measured with mineral oil viscosity  $30 \text{ mm}^2/\text{s}$  (cSt) at  $50 \text{ }^\circ\text{C}$ .

**Efficiency, power consumption  
PV016**

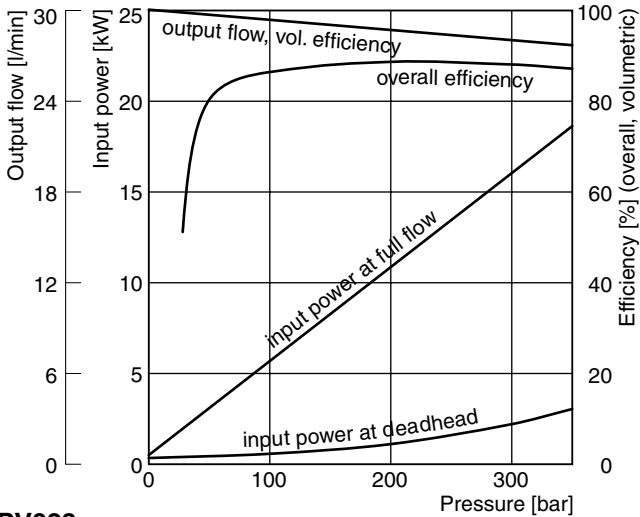


**Efficiency and case drain flows PV016, PV020, PV023**  
The efficiency and power graphs are measured at an input speed of  $n = 1500 \text{ min}^{-1}$ , a temperature of  $50 \text{ }^\circ\text{C}$  and a fluid viscosity of  $30 \text{ mm}^2/\text{s}$ .

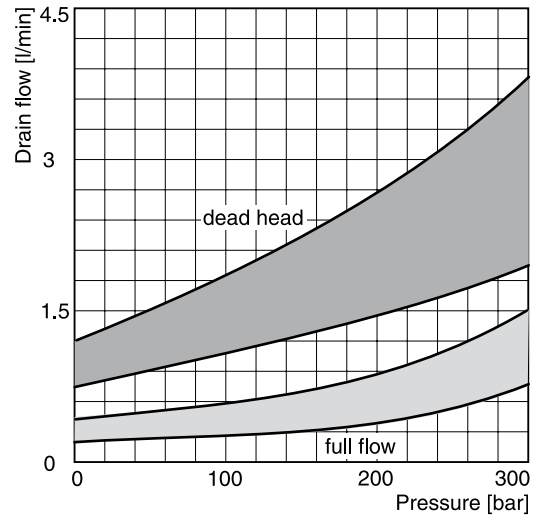
Case drain flow and compensator control flow leave via the drain port of the pump. To the values shown are to be added 1 to 1.2 l/min, if at pilot operated compensators the control flow of the pressure pilot valve also goes through the pump.

**Please note:** The values shown below are only valid for static operation. Under dynamic conditions and at rapid compensation of the pump the volume displaced by the servo piston also leaves the case drain port. This dynamic control flow can reach up to 40 l/min! Therefore the case drain line is to lead to the reservoir at full size and without restrictions as short and direct as possible.

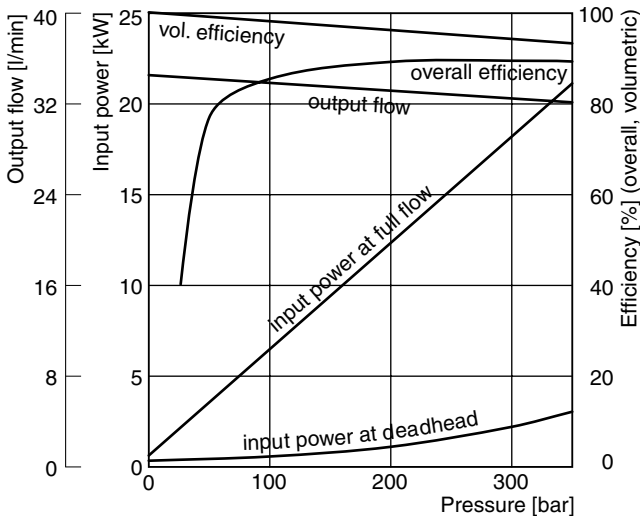
**PV020**



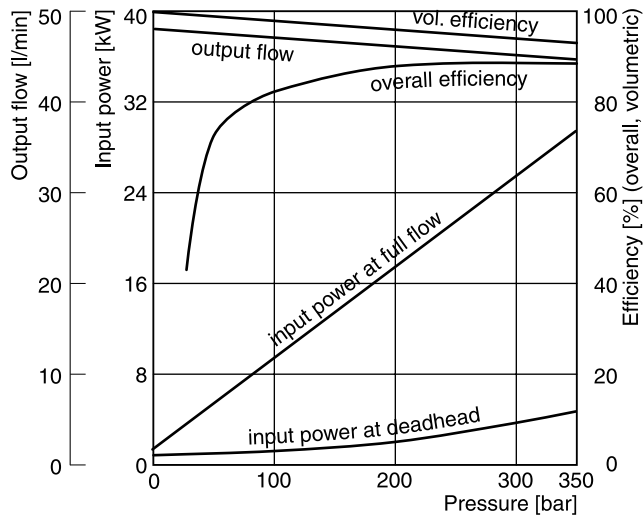
**Case drain flows PV016-023**



**PV023**



**Efficiency, power consumption  
PV032**



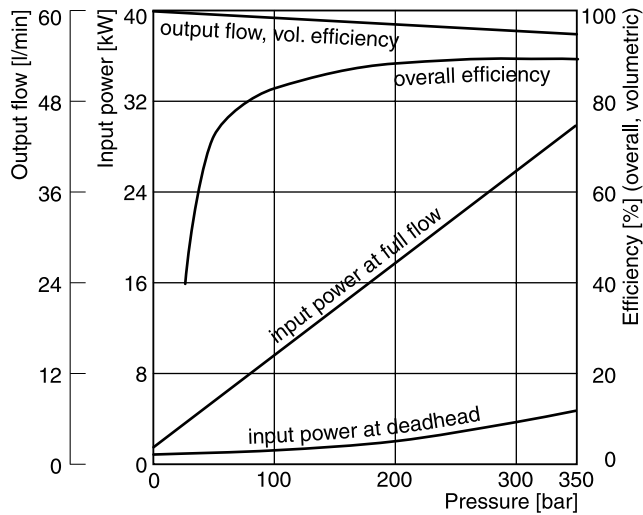
**Efficiency and case drain flows PV032 to PV046**

The efficiency and power graphs are measured at an input speed of  $n = 1500 \text{ min}^{-1}$ , a temperature of  $50 \text{ }^\circ\text{C}$  and a fluid viscosity of  $30 \text{ mm}^2/\text{s}$ .

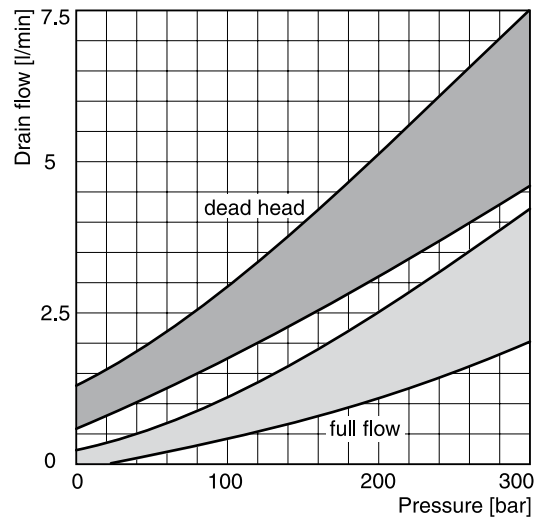
Case drain flow and compensator control flow leave via the drain port of the pump. To the values shown are to be added 1 to 1.2 l/min, if at pilot operated compensators the control flow of the pressure pilot valve also goes through the pump.

**Please note:** The values shown below are only valid for static operation. Under dynamic conditions and at rapid compensation of the pump the volume displaced by the servo piston also leaves the case drain port. This dynamic control flow can reach up to 60 l/min! Therefore the case drain line is to lead to the reservoir at full size and without restrictions as short and direct as possible.

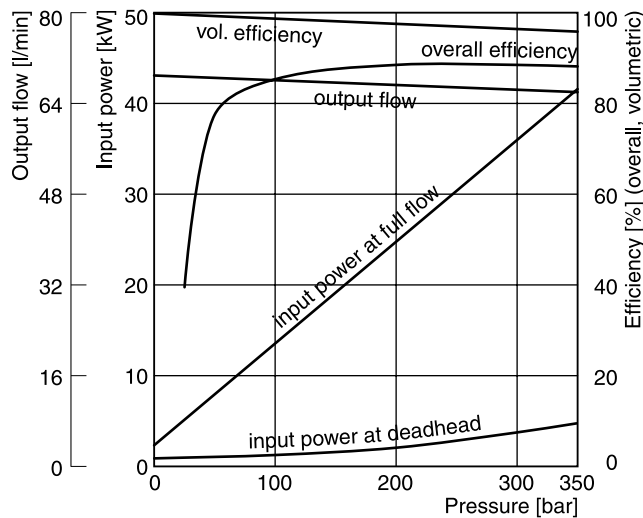
**PV040**



**Case drain flows PV032-046**

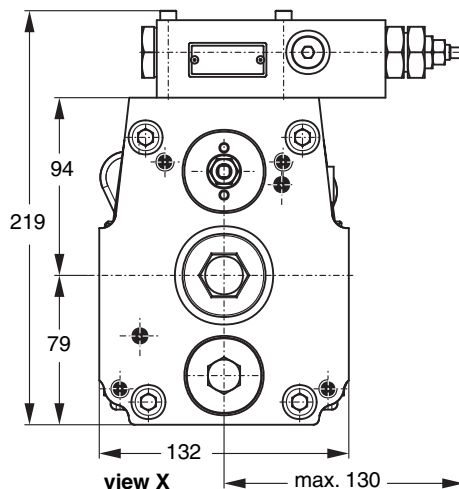
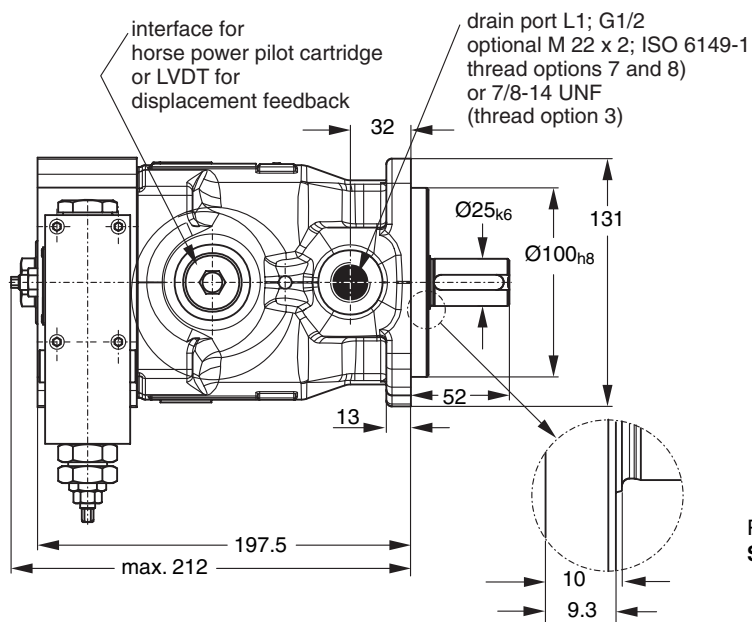


**PV046**

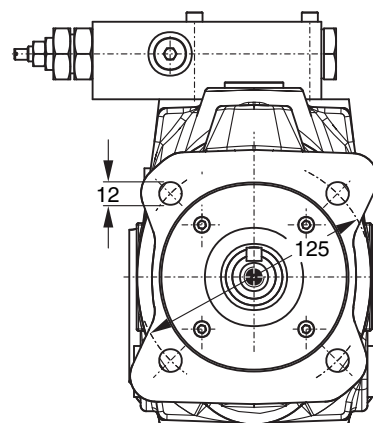
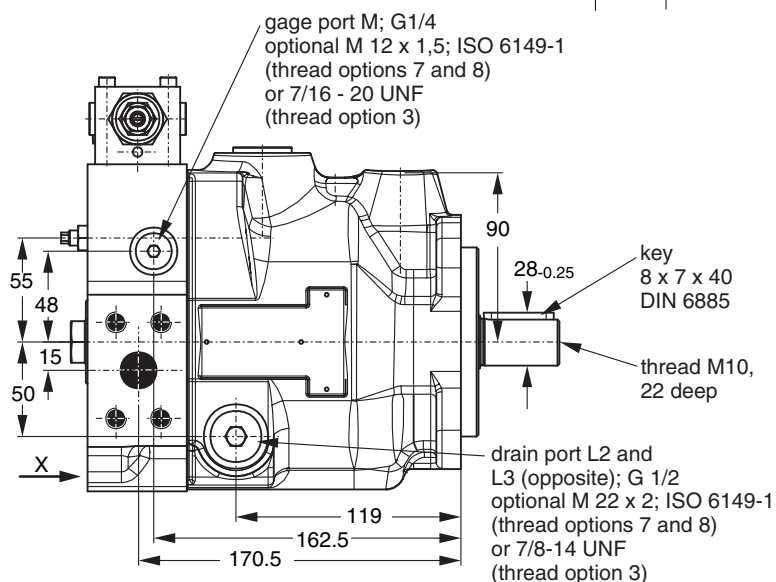




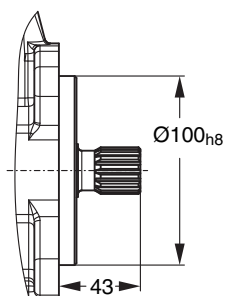
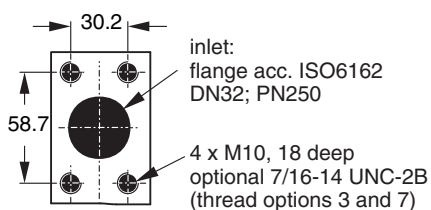
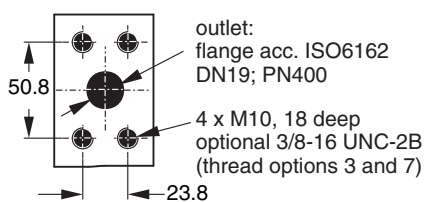
**PV016 - 023, metric version**



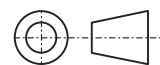
Pump shown with  
**Standard pressure compensator, code ...MMC**



The pump shown above has mounting option **K**  
 and **thru drive option T**  
 (prepared for thru drive)

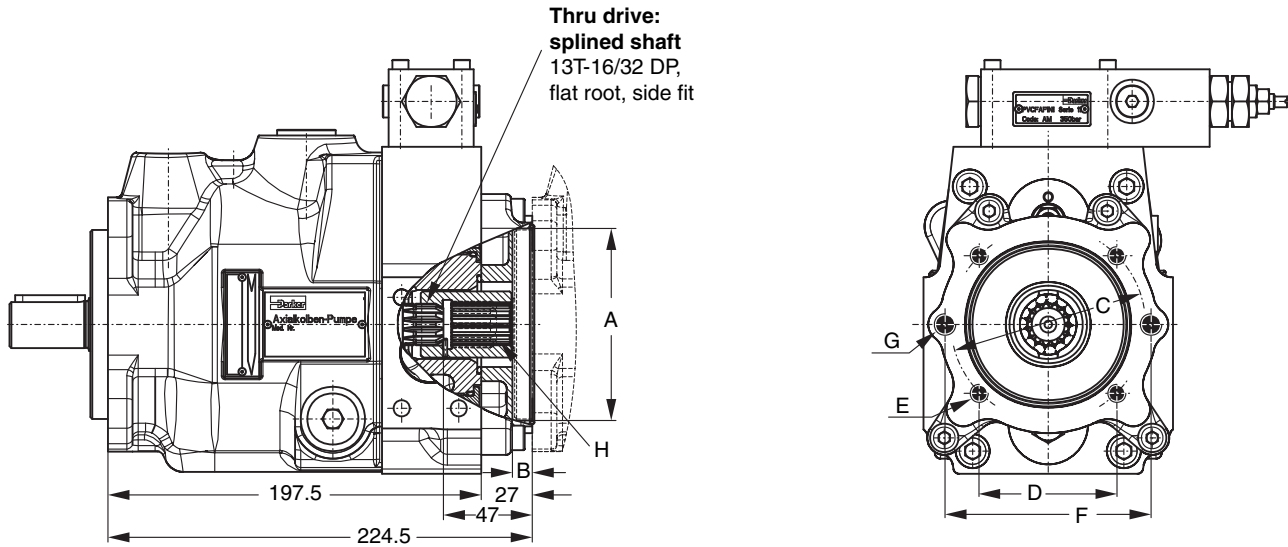


**Mounting option L**  
 splined shaft W25x1.5x15x8f  
 DIN 5480



Shown is a clockwise rotating pump. Counter clockwise rotating pumps have inlet, outlet and gauge ports reversed.

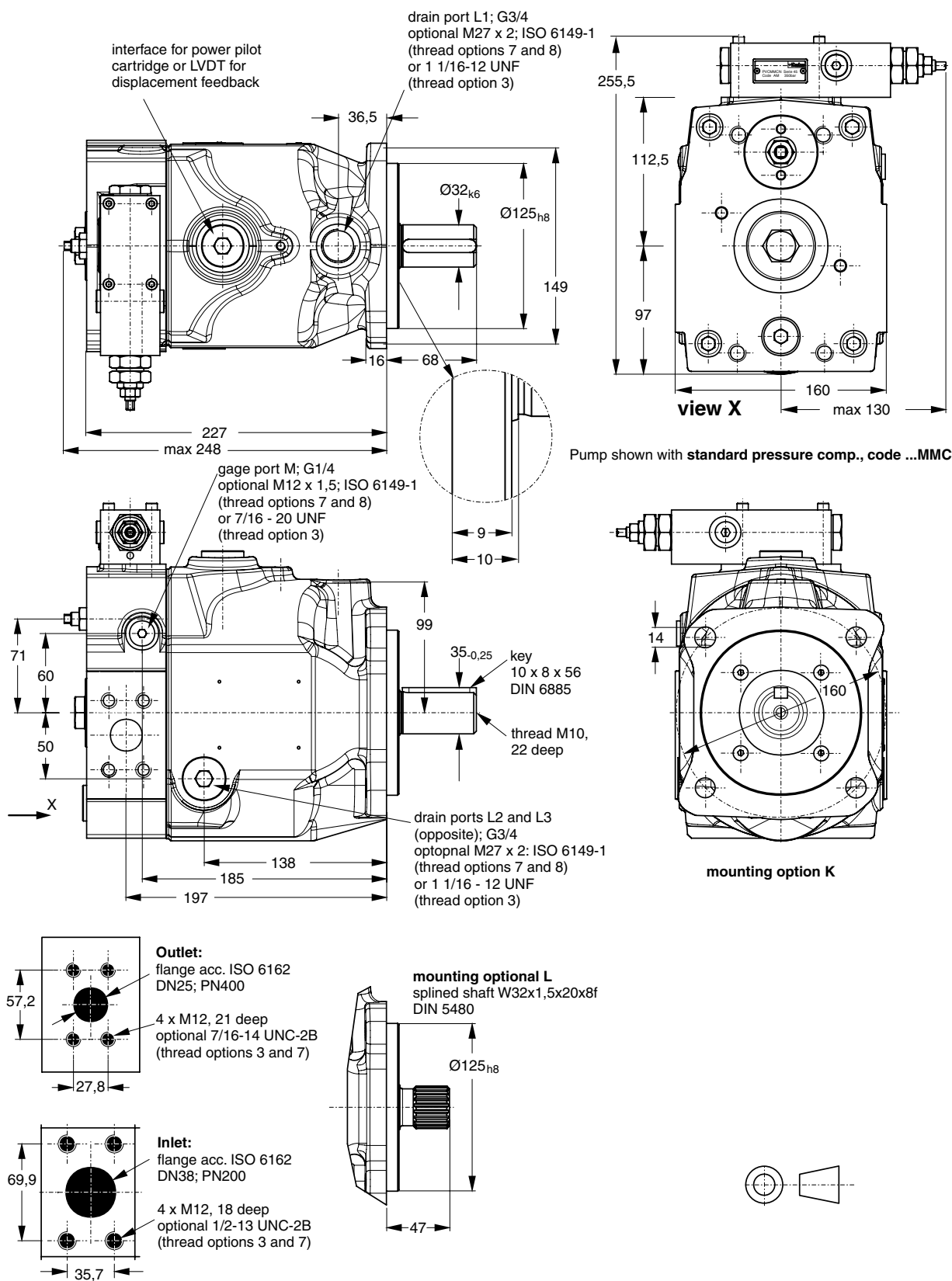
**Variation with thru drive**



**Thru drive adaptors are available with the following dimensions**

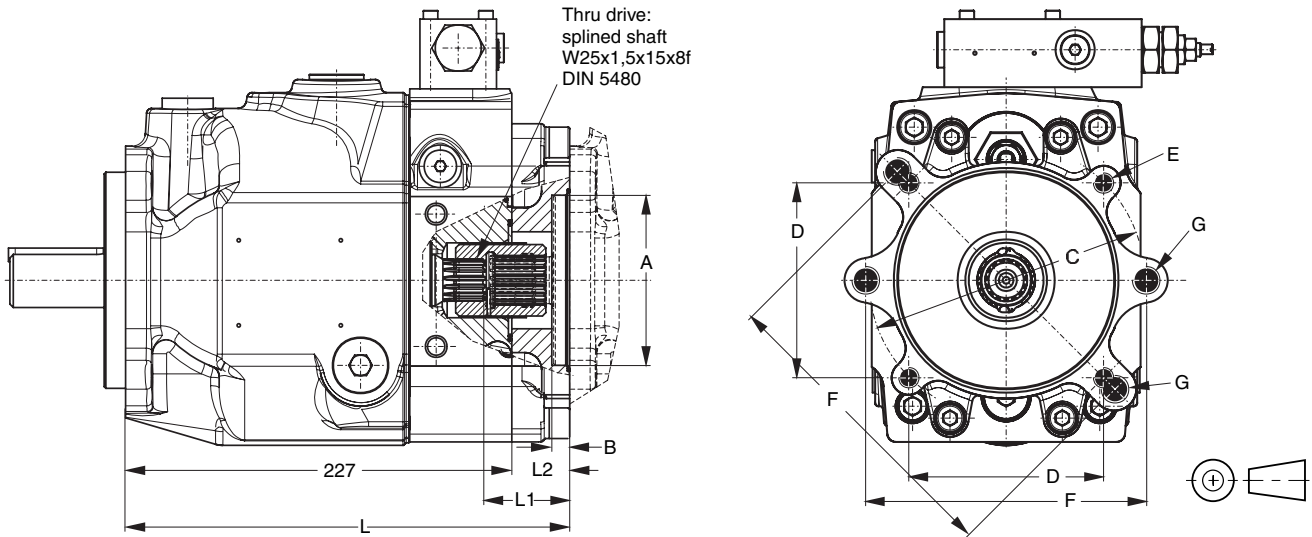
| Drawing Dimension | A     | B    | C   | D    | E   | F   | G   | Remark        |
|-------------------|-------|------|-----|------|-----|-----|-----|---------------|
| Thru drive option |       |      |     |      |     |     |     |               |
| Y                 | 50,8  | 8    | -   | -    | -   | 82  | M8  | SAE AA 2-Bolt |
| A                 | 82,55 | 10   | -   | -    | -   | 106 | M10 | SAE A 2-Bolt  |
| B                 | 101,6 | 10,5 | 127 | 89,8 | M12 | -   | -   | SAE B 4-Bolt  |
| G                 | 63    | 8,5  | 85  | 60,1 | M8  | 100 | M8  | 2/4-Bolt      |
| H                 | 80    | 8,5  | 103 | 72,8 | M8  | 109 | M10 | 2/4-Bolt      |
| J                 | 100   | 10,5 | 125 | 88,4 | M10 | -   | -   | 4-Bolt        |

**PV032 - 046, metric version**



Shown is a clockwise rotating pump. Counter clockwise rotating pumps have inlet, outlet and gauge ports reversed.

**Variation with thru drive**



**Dimension H** and available couplings see page 12.  
 At threads options 3 and 7 the dimensions E and G are UNC - 2B threads.

| Thru drive adaptors are available with the following dimensions |       |      |       |       |     |     |     |                |
|---|-------|------|-------|-------|-----|-----|-----|----------------|
| Drawing Dimension   | A     | B    | C     | D     | E   | F   | G   | Remark         |
| Thru drive option   |       |      |       |       |     |     |     |                |
| A   | 82,55 | 8    | -     | -     | -   | 106 | M10 | SAE A 2-Bolt   |
| B   | 101,6 | 11   | 127   | 89,8  | M12 | 146 | M12 | SAE B 2/4-Bolt |
| C   | 127   | 13,5 | 161,9 | 114,5 | M12 | -   | -   | SAE C 4-Bolt   |
| G   | 63    | 8,5  | 85    | 60,1  | M8  | 100 | M8  | 2/4-Bolt       |
| H   | 80    | 8,5  | 103   | 72,8  | M8  | 109 | M10 | 2/4-Bolt       |
| J   | 100   | 10,5 | 125   | 88,4  | M10 | 140 | M12 | 2/4-Bolt       |
| K   | 125   | 10,5 | 160   | 113,1 | M12 | -   | -   | 4-Bolt         |

**Mounting kits for multiple pumps, for second pump option**

MK - PV   
 BG   
     
     
     
     
  

Mounting kit    Axial piston pump series PV    Size    Second pump    Thread    Seals    Design series (see name plate)

| Code | Pump size                         | Code | Second pump, SAE                         | Code | Seals  |
|------|-----------------------------------|------|--|------|--------|
| 1    | Pump size 1: PV016 - PV028        | T    | Prepared for thru drive option (plugged) | N    | NBR    |
| 2    | Pump size 2: PV032 - PV046, PV076 | Y    | SAE AA, diameter 50.8 mm                 | V    | FPM    |
| 3    | Pump size 3: PV063, PV080 - PV100 | A    | SAE A, diameter 82.55 mm                 | E    | EPR    |
| 4    | Pump size 4: PV140 - PV180        | B    | SAE B, diameter 101.6 mm                 |      |        |
| 5    | Pump size 5: PV270                | C    | SAE C, diameter 127 mm                   |      |        |
|      |                                   | D    | SAE D, diameter 152.4 mm                 |      |        |
|      |                                   | E    | SAE E, diameter 165.1 mm                 |      |        |
|      |                                   |      | Second pump, metric                      |      |        |
|      |                                   | G    | Diameter 63 mm                           | M    | Metric |
|      |                                   | H    | Diameter 80 mm                           | S    | SAE    |
|      |                                   | J    | Diameter 100 mm                          |      |        |
|      |                                   | K    | Diameter 125 mm                          |      |        |
|      |                                   | L    | Diameter 160 mm                          |      |        |
|      |                                   | M    | Diameter 200 mm                          |      |        |

Kit contains positions 30, 69, 84, 85 and 87, see drawing below.

**Mounting kits for multiple pumps, couplings**

MK - PV   
 BG   
     
 K   
     
  

Mounting kit    Axial piston pump series PV    Size    Coupling    Design series (see name plate)

| Code | Pump size                         | Code | Coupling for metric, splined shaft DIN 5480        |
|------|-----------------------------------|------|--|
| 1    | Pump size 1: PV016 - PV028        | 01   | N25 x 1.5 x 15                                     |
| 2    | Pump size 2: PV032 - PV046, PV076 | 02   | N32 x 1.5 x 20                                     |
| 3    | Pump size 3: PV063, PV080 - PV100 | 03   | N40 x 1.5 x 25                                     |
| 4    | Pump size 4: PV140 - PV180        | 04   | N50 x 2 x 24                                       |
| 5    | Pump size 5: PV270                | 05   | N60 x 2 x 28                                       |
|      |                                   |      | Coupling for SAE splined shaft flat root, side fit |
|      |                                   | 11   | 9T 16/32   |
|      |                                   | 12   | 11T 16/32  |
|      |                                   | 13   | 13T 16/32  |
|      |                                   | 14   | 15T 16/32  |
|      |                                   | 15   | 14T 12/24  |
|      |                                   | 16   | 17T 12/24  |
|      |                                   | 17   | 13T 8/16   |
|      |                                   | 18   | 15T 8/16   |
|      |                                   |      | Coupling + adaptor for keyed shaft                 |
|      |                                   | 20   | Diameter 12 mm                                     |
|      |                                   | 21   | Diameter 16 mm                                     |
|      |                                   | 22   | Diameter 18 mm                                     |

SAE, splined

keyed shaft, (only up to Ø 18, metric)

metric, splined

Kit contains positions 91 (and 92 for keyed shaft).

**Max. transferable torque in [Nm] for different shafts options**

| Shaft code  | PV016-023 | PV032-046 |
|---|-----------|-----------|
| D   | 300       | 550       |
| E   | 300       | 610       |
| K   | 300       | 570       |
| L   | 405       | 675       |
| Max. torque transmission cap. for rear mounted pump | 140       | 275       |

**Important notice**

The max. allowable torque of the individual shaft must not be exceeded. For 2-pump combinations there is no problem because PV series offers 100% thru torque. For 3-pump combinations (and more) the limit torque could be reached or exceeded.

Therefore it is necessary to calculate the torque factor and compare it with the allowed torque limit factor in the table.

**Required:**    calculated torque factor  
                   < torque limit factor

| Pump      | Shaft | Torque limit factor |
|-----------|-------|---------------------|
| PV016-023 | D     | 17700               |
|           | E     | 17700               |
|           | K     | 17700               |
|           | L     | 20130               |
| PV032-046 | D     | 32680               |
|           | E     | 36380               |
|           | K     | 33810               |
|           | L     | 40250               |

To make the necessary calculations easier and more user friendly it is not required to calculate actual torque requirements in Nm and compare them with the shaft limitations. The table on the right shows limit factors that include material specification, safety factors and conversion factors.

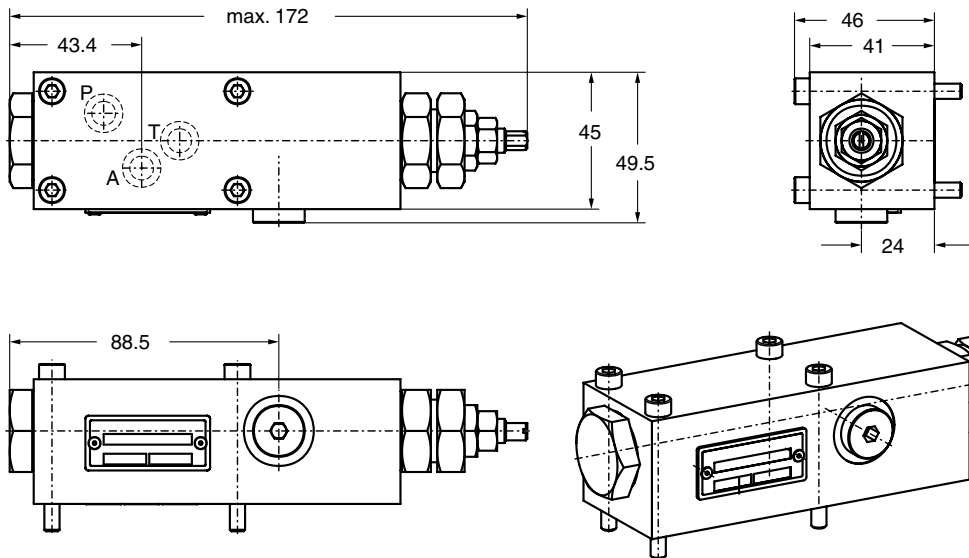
The **total torque factor** is represented by the sum of the individual torque factors of all pumps in the complete pump combination.

**Total torque factor of the combination**  
 = sum of individual torque factors of all pumps

The **torque factor of each individual pump** is calculated by multiplying the max. operating pressure p of the pump (in bar) with the max. displacement Vg of the pump (in cm<sup>3</sup>/rev).

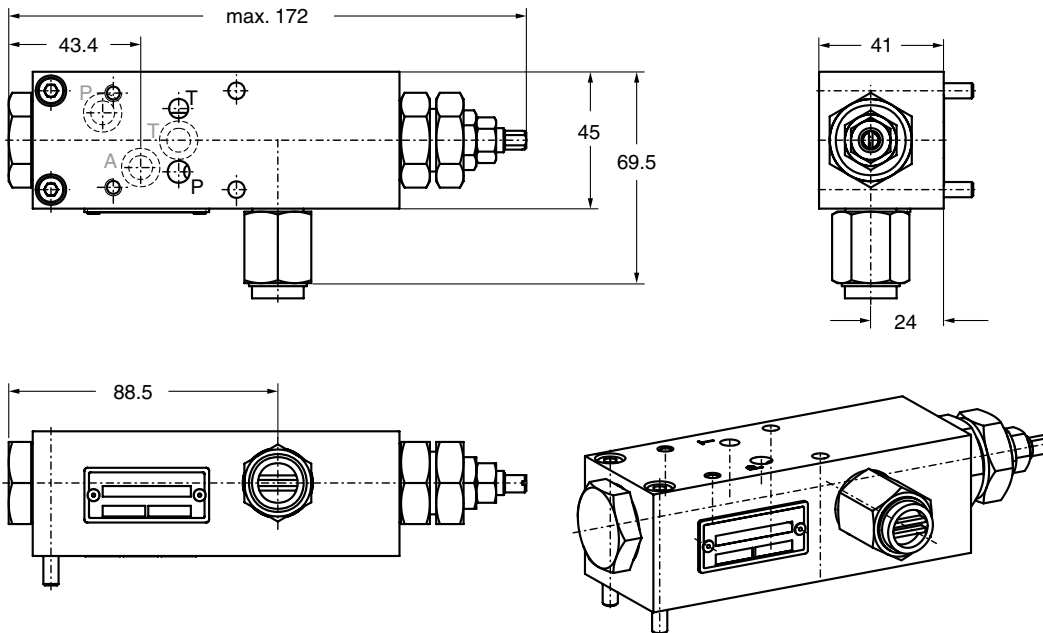
**Torque factor of any pump**  
 = p x Vg

**Dimensions standard pressure compensator, code MMC**



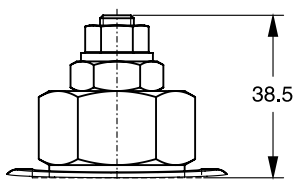
Code "MM1" has NG06/CETOP 3 interface topside as shown below.

**Dimensions remote pressure and load sensing compensator, code MR1 and MF1**



Codes "MRC" and "MFC" have same dimensions, but no valve interface on top.

**Dimensions power pilot cartridge**

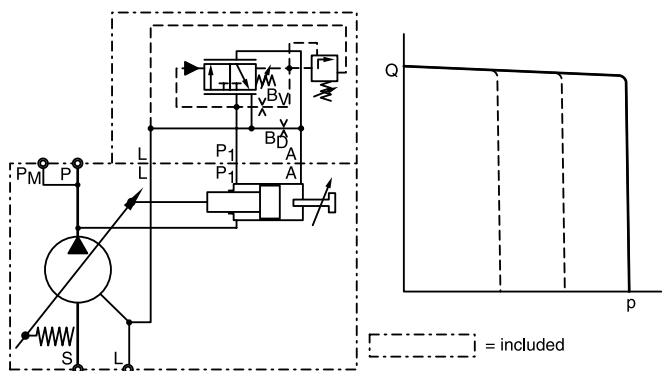


**Standard pressure compensator, code MMC**

The standard pressure compensator adjusts the pump displacement according to the actual need of the system in order to keep the pressure constant.

As long as the system pressure at outlet port P is lower than the set pressure (set as spring preload of the integrated pilot valve) the working port A of the compensator valve is connected to the case drain and the piston area is unloaded. Bias spring and system pressure on the annulus area keep the pump at full displacement.

When the system pressure reaches the set pressure of the pilot valve, pilot flow is built up and a differential pressure will occur at pilot orifice B<sub>v</sub>. When this differential pressure reaches the factory setting of the compensator, the control spool connects port P<sub>1</sub> to A and builds up a pressure at the servo piston resulting in a down stroking of the pump. The displacement of the pump is controlled in order to match the flow requirement of the system.

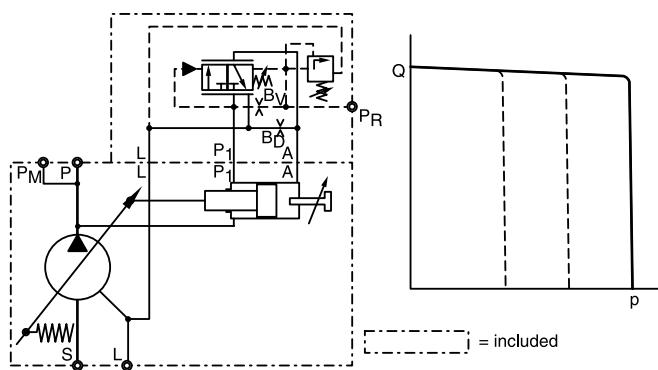


**Remote pressure compensator, code MRC**

The basic function of the remote pressure compensator code ...MRC is equal to the function of the standard pressure compensator. The remote compensator offers an additional remote control port on the side of the compensator body. With a remote installed pilot valve, the setting of the pump compensating pressure can be adjusted from a location up to 15 meter apart from the pump.

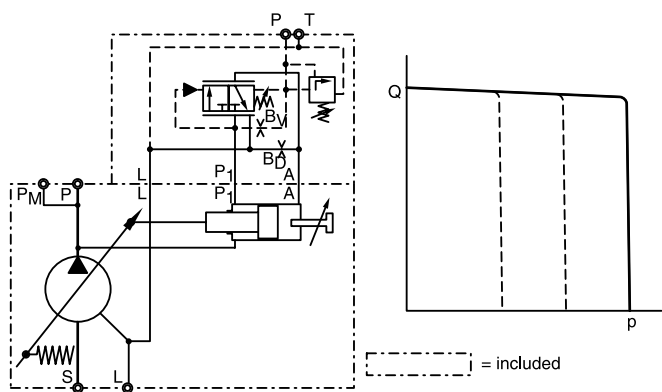
The thread of this remote port is defined in the thread option of the PV pump ordering code.

For long distances between pump and remote control valve please consider temperature and response time influences.



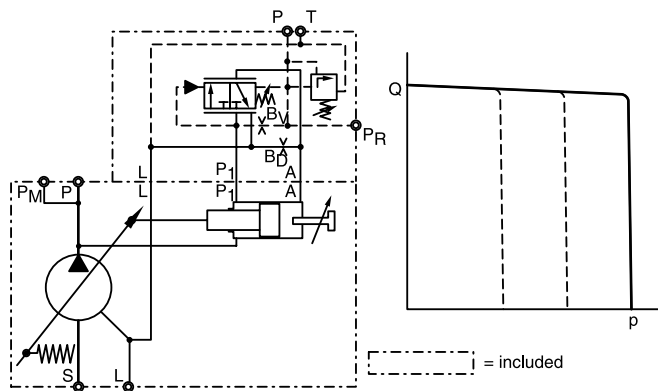
**Standard pressure compensator with NG6 interface, code MM1**

With code ...MM1 the standard pressure compensator has on its top side a valve interface size NG 6 DIN 24 340 (CETOP 03 acc. RP35H, NFPA D03). This interface allows the mounting of accessories like multiple pressure selectors without the need of external piping and valve mounting.



**Remote pressure compensator with NG6 interface, code MR1**

With code ...MR1 the remote pressure compensator has on its top side a valve interface size NG 6 DIN 24 340 (CETOP 03 acc. RP35H, NFPA D03). This interface allows the mounting of accessories like multiple pressure selectors without the need of external piping and valve mounting.



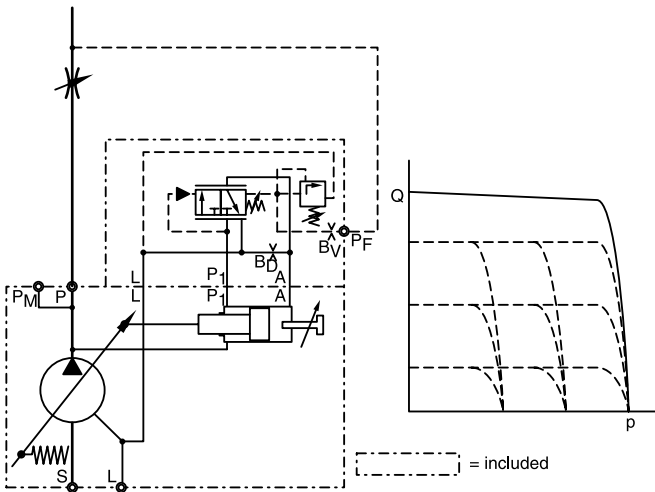


**Load sensing compensator code MFC**

The pilot pressure of the load sensing compensator is taken from a load sensing port in the hydraulic system. This port is located downstream of a throttle valve (manually or electronically operated). The pump compensator differential pressure is factory set to 10 bar.

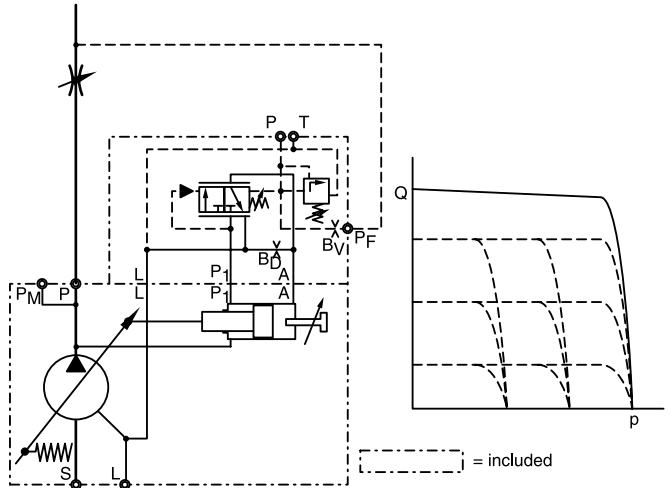
When the main stream throttle valve is set to a position, that creates the 10 bar pressure drop at a lower flow, than the pump nominal flow, the load sensing compensator will reduce the pump displacement accordingly to avoid power losses in the circuit. When the main stream throttle valve is closed, the pump will be compensated to stand-by operation at a pump outlet pressure of 10 bar.

If the system pressure exceeds the setting of the integrated pilot valve, the pilot valve will create an additional pressure drop at the pilot orifice BV. This will lead to a pressure compensation of the pump in order not to exceed the set pressure.



**Load sensing compensator NG6 interface, code MF1**

With code ...MF1 the load sensing compensator has on its top side a valve interface size NG 6 DIN 24 340 (CETOP 03 acc. RP35H, NFPA D03). This interface allows the mounting of accessories like multiple pressure selectors without the need of external piping and valve mounting.



**Hydraulic-mechanical power compensator**

The hydraulic-mechanical power compensator consists of a modified remote pressure compensator (Code \*L\*) or of a modified load-sensing compensator (Code \*C\*) and a pilot valve. This pilot valve is integrated into the pump and is adjusted by a cam sleeve. The cam sleeve has a contour that is designed and machined for the individual displacement and the nominal power setting.

At a large displacement the opening pressure (given by the cam sleeve diameter) is lower than at small displacements. This makes the pump compensate along a constant power (torque) curve.

For all nominal powers of standard electrical motors Parker offers a dedicated cam sleeve. The exchange of this cam sleeve (e. g.: to change power setting) can easily be done without disassembly of the pump.

On top of that an adjustment of the power setting can be done within certain limits by adjusting the preload of the pilot control cartridge spring. That allows an adjustment of a constant power setting for other than the nominal speeds (1500 min<sup>-1</sup>) or for other powers.

**Ordering code for the power option**

The first digit designates the power setting:

**Code B** = 3.0 kW etc. up to

**Code S** = 30 kW

The second digit designates the pilot flow source:

**Code L** internal pilot pressure, remote pressure function.

**Code C** external pilot pressure, combines power compensation with load-sensing compensation.

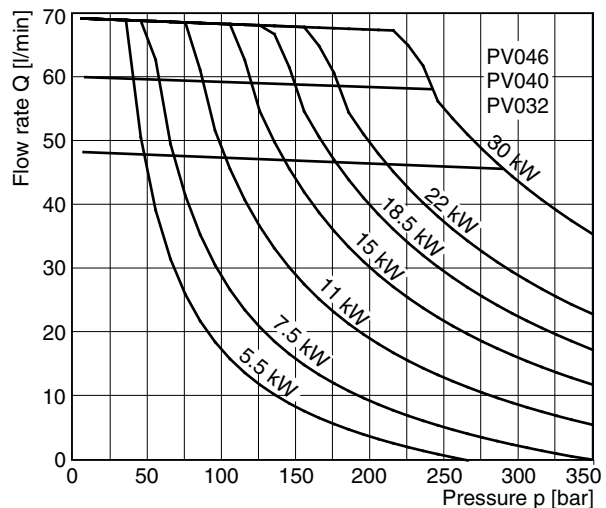
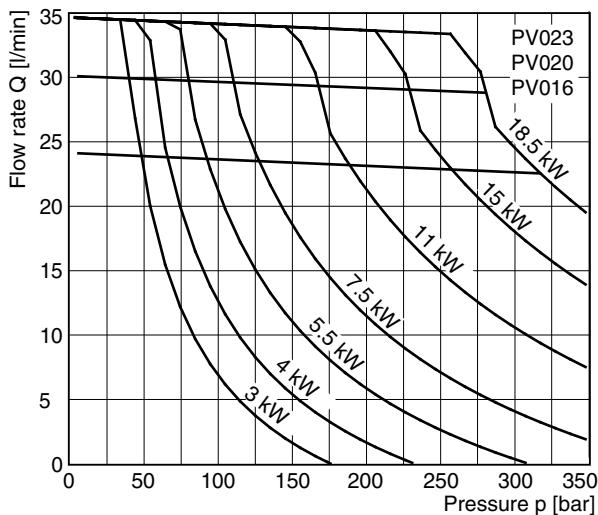
The third digit designates the possibility to adjust the overriding pressure compensation:

**Code 1** comes with a top side NG6/D03 interface on the control valve to mount any suitable pilot valve or Parker pump accessories.

**Code C** includes a pilot valve for manual pressure adjustment. Max. setting: 350 bar.

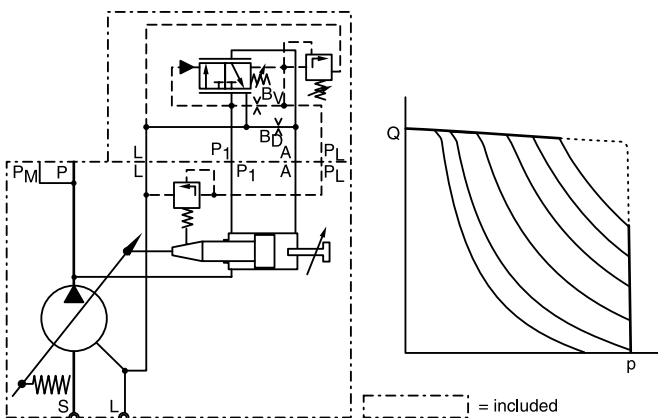
**The graphs below show typical power curves, collected during following conditions:**

- Speed : n = 1500 rev/min
- Temperature : t = 50 °C
- Fluid : HLP, ISO VG46
- Viscosity : v = 46 mm<sup>2</sup>/s at 40 °C



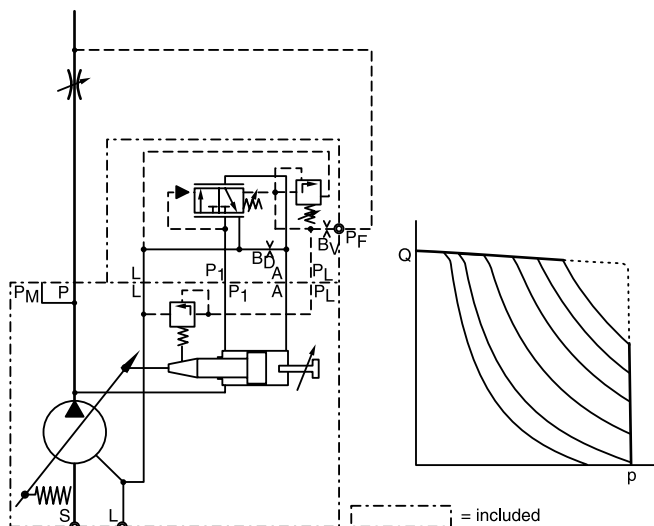
**Power compensator code \*LC**

The control function of the power compensator is as described in the standard compensator section. The pump will start to compensate, when the pilot valve(s), integrated into compensator and pump, create a differential pressure of 15 bar at the pilot orifice BV. In addition to the standard pressure compensator the power option has an additional pilot valve in the pump housing. The pressure setting of this valve is controlled by a power feedback sleeve connected to the servo piston. At full displacement, the pressure setting is low and the pump will start to compensate at a lower pressure. The more the pump compensates, the more the feedback sleeve is moved by the down stroking servo piston. According to the contour of this sleeve, the pressure setting of the power pilot valve is raised. That gives a constant power requirement for the pump drive. At low pressures the pump can provide a high flow output, at high pressures the flow output has to be lowered, to avoid overloading of the drive motor. The contour of the power feedback sleeve is designed, to match the desired constant power curve (see following page). For each nominal setting a different contour sleeve is available. The last ordering code digit (\*) defines the required setting (see ordering code pages).



**Power compensator code \*CC**

In code ...CC. the power compensator has an additional load sensing port. As for the load sensing compensator, code ...FC the pilot pressure is not supplied internally, but from a load sensing port in the hydraulic system. Please note: in this case the load sensing pressure differential is set to 15 bar in order to meet the constant power curve, which is laid out for a 15 bar pilot pressure differential. With this feature the pump can be flow controlled by the main stream throttle valve, pressure controlled by the integrated pilot valve in the compensator and power controlled by the integrated pilot valve and contour sleeve in the pump housing. Both power compensator versions: code ...LC\* and code ...CC\* can be ordered also with the top side interface for accessories (codes ...L1\* resp. ...C1\*), with a built on directional control valve for electrical unloading (codes ...LW\* resp. ...CW\*) and with a built on proportional pilot valve for electronic setting of the max. compensating pressure (codes ...LD\* resp. ...CD\*).



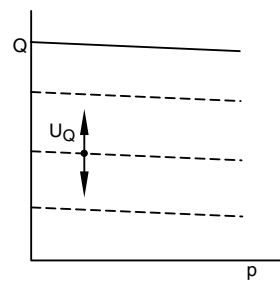
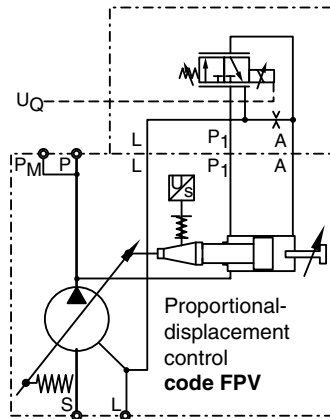
**Proportional displacement control, code FPV**

The proportional displacement control allows the adjustment of the pumps output flow with an electrical input signal.

The actual displacement of the pump is monitored by an LVDT and compared with the commanded displacement in an electronic control module PQDXXA. The command is given as an electrical input signal (0 - 10 V or 0 resp. 4 - 20 mA) from the supervising machine control. The command can also be provided by a potentiometer. The electronic control module offers a stabilized 10 V source to supply the potentiometer.

The electronic module compares permanently the input command and the actual displacement by powering the proportional solenoid of the control valve. A deviation from the commanded displacement leads to a modulation of the input current to the solenoid. The control valve then changes the control pressure (port A) until the correct displacement is adjusted.

Version FPV of the proportional control does not provide a pressure compensation. The hydraulic circuit must be protected by a pressure relief valve.



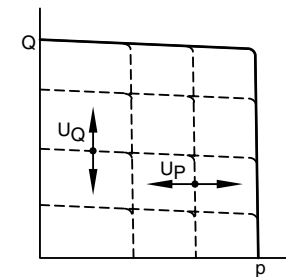
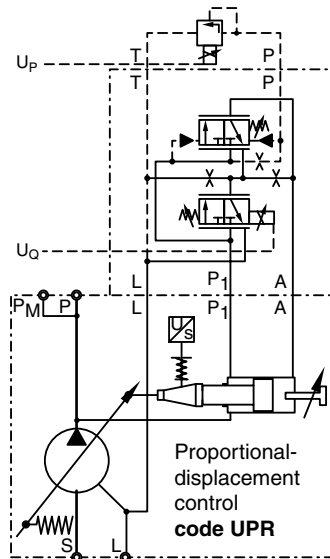
= included

**Proportional displacement control with overriding pressure control, codes UPR and UPG**

In **version UPR** an additional pressure compensator valve can override the electrohydraulic displacement control. That adds pressure compensation to this control.

The compensator valve has an NG6/D03 interface on top to mount a pressure pilot valve. When using a proportional pressure pilot valve an electro-hydraulic p/Q control can be realized. The electronic driver modules are tuned for the valve type PVACPP\* to get the best performance.

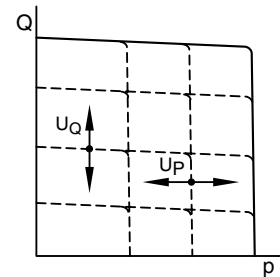
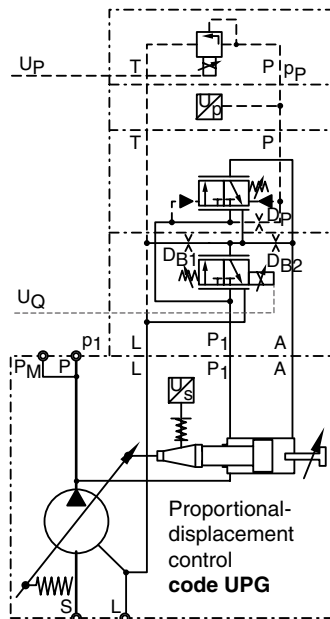
The electronic control module PQDXXA contains, beside the displacement control unit, also the driver electronics for the a. m. proportional pressure valves.



= included

With **ordering code UPG** the proportional pressure pilot valve and a pressure transducer (Parker SCP 8181 CE) are included with the pump control. In combination with control module PQDXXA a closed loop pressure control of the pump outlet pressure is available.

Parker variable displacement pumps have a large servo piston. That leads to a extremely robust and stable pump control. On the other hand that requires high control flows (up to > 100 l/min). Parker has therefore chosen the 2-valve p/Q control concept, because in this case a hydraulic-mechanical compensator valve takes care of the pressure compensation of the pump. That allows a very fast pressure compensation and makes this the control insensitive to fluid contamination. We see the 2-valve concept as a contribution to system and pressure control safety.

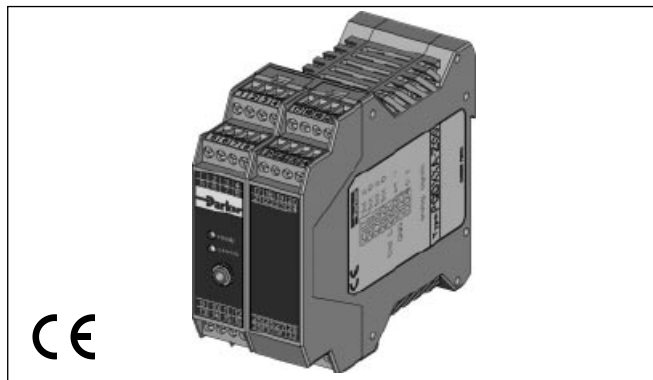


= included

The digital control module code PQDXXA-Z00 is designed for rail mounting.

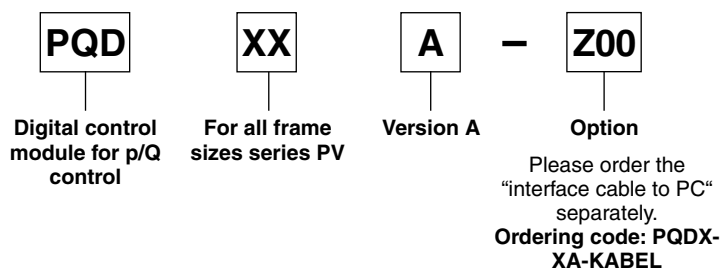
**Features**

- Digital control circuit
- Parameter setting via RS-232 interface
- All settings (ramps, MIN/MAX, control parameters) can be stored digitally and recalled from a PC to duplicate settings to other modules
- Ramp time up to 60 seconds
- Compatible to the relevant european EMC specifications
- Easy to use PC based setup software
- Covers all displacements from 16 to 270 cm<sup>3</sup>/rev



- Covers all functions: displacement control, displacement control with open loop pressure control, displacement control with closed loop pressure control and displacement control with closed loop pressure control and electronic power limitation.

**Ordering code**



**Technical data**

|                        |                    |  |
|------------------------|--------------------|--|
| Mounting style         |                    | Snap-on mounting for EN50022 rail  |
| Body material          |                    | Polycarbonate  |
| Inflammation class     |                    | V2...V0 acc. UL 94   |
| Mounting position      |                    | any  |
| Env. temperature range | [°C]               | -20...+55  |
| Protection class       |                    | IP 20 acc. DIN 40 050  |
| Weight                 | [g]                | 160  |
| Duty ratio             | [%]                | 100  |
| Supply voltage         | [V]                | 18...30VDC, ripple <5% eff.  |
| Rush in current        | [A]                | 22 for 0.2 ms  |
| Current consumption    | [A]                | < 4 for p/Q control ; < 2 for Q-control  |
| Resolution             | [%]                | 0.025 (power 0.1)  |
| Interface              |                    | RS232C, 9600 baud, 3.5 mm cinch  |
| EMC                    |                    | EN 50 081-2, EN 50 082-2   |
| Connectors             |                    | Screw terminals 0.2...2.5 mm <sup>2</sup> , plug in style  |
| Cables                 | [mm <sup>2</sup> ] | 1.5 (AWG 16) overall braid shield, for supply and solenoid connection 0.5 mm <sup>2</sup> (AWG 20) overall braid shield, for sensor and command signal connections |
| Max. cable length      | [m]                | 50   |

For programming the module via PC, an interface cable is needed, please order separately.

**Programming software**

The programming of the p/Q control module is done in an easy to learn mode. To select the pump model and size and to set the control parameters the program **ProPVplus** must be started. This program runs under WINDOWS® 95 and higher.

The latest version of this software can be downloaded at the following internet address:

[http://www.parker.com/euro\\_hcd](http://www.parker.com/euro_hcd)

The software offers the following features:

A **TERMINAL** window to set or read out the control parameters of the module. Settings as well as comments entered in the terminal window can be stored also in RTF format (opens e. g. under WORD or other text editors)

A **MONITOR** window allows to display process variables in numerical format.

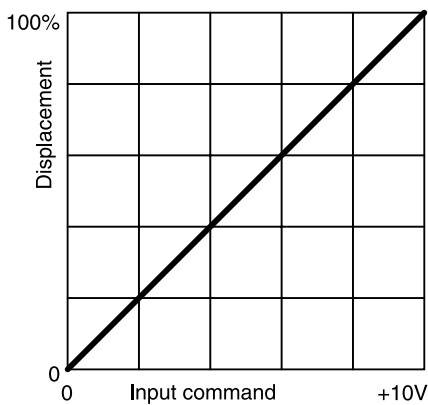
An **OSZILLOSKOP** window displays process variables as curves. The oscilloscope offers a start - stop function. The images can be saved and stored e. g. for import into other programs.

**Features**

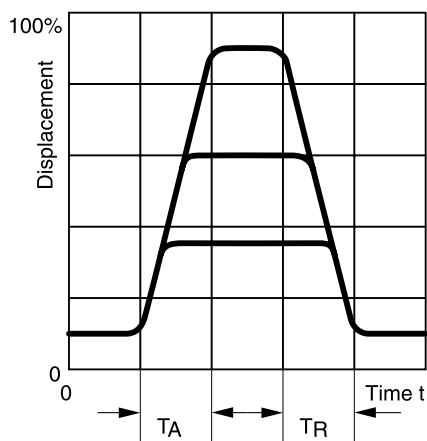
- Display and documentation of parameter sets
- Save and reload of optimized parameter sets
- Offers oscilloscope function for easy performance evaluation and optimization
- Pre-optimized parameter sets for all PVplus piston pump
- Sizes already in E<sup>2</sup>PROM memory

**Diagrams**

Typical static characteristic



Typical dynamic characteristic





## WARNING

**FAILURE OR IMPROPER SELECTION OR IMPROPER USE OF THE PRODUCTS AND/OR SYSTEMS DESCRIBED HEREIN OR RELATED ITEMS CAN CAUSE DEATH, PERSONAL INJURY AND PROPERTY DAMAGE.**

This document and other information from Parker Hannifin Corporation, its subsidiaries and authorized distributors provide product and/or system options for further investigation by users having technical expertise. It is important that you analyze all aspects of your application, including consequences of any failure, and review the information concerning the product or system in the current product catalogue. Due to the variety of operating conditions and applications for these products or systems, the user, through its own analysis and testing, is solely responsible for making the final selection of the products and systems and assuring that all performance, safety and warning requirements of the application are met.

The products described herein, including without limitation, product features, specifications, designs, availability and pricing, are subject to change by Parker Hannifin Corporation and its subsidiaries at any time without notice.

## Offer of Sale

Please contact your Parker representation for a detailed "Offer of Sale".



- Pumps & Motors ● Hydraulic Valves ● Hydraulic Seals ● Electrohydraulic Valves ● DIN Cartridge Valves
- Threaded Cartridge Valves ● Filtration/Fluid Analysis ● Accumulators ● Cylinders ● Power Units
- Compact Hydraulics ● Tube Fittings ● Rotary Actuators ● System Integrators...



- 柱塞泵 ● 葉片泵 ● 齒輪泵 ● 柱塞馬達 ● 擺線馬達 ● 液壓密封件 ● 電磁閥 ● 比例閥 ● 伺服閥 ● 插式閥
- 篩檢程式 ● 蓄能器 ● 液壓缸 ● 伺服缸 ● 動力單元 ● 成套設備 ● 液壓管件 ● 液壓接頭 ● 機電整合系統...

YOUR LOCAL REPRESENTATIVE 當地銷售及服務代理

FOR INFORMATION ABOUT SALES AND SERVICE LOCATIONS PLEASE CONTACT 產品及服務聯繫資訊

<http://www.kstci.com.tw/> [service@kstci.com.tw](mailto:service@kstci.com.tw) <http://www.intracalzoni.com/> [intracalzoni@kstci.com.tw](mailto:intracalzoni@kstci.com.tw)

110 台北市信義區崇德街61號1樓  
TEL:02-8732-8566 FAX:02-8732-8577  
407 台中市西屯區洛陽路78號  
TEL:04-2317-9303 FAX:04-2317-9307  
709 台南市安南區工明南三路278號  
TEL:06-247-8566 FAX:06-247-6969

**KINGSTONE COMPONENT INC.**

TAIPEI :TEL:+886 2 8732-8566 FAX:+886 2 8732-8577  
1F, No.61, Chongde St., Xinyi District, Taipei 110, Taiwan, R.O.C.  
TAICHUNG :TEL:+886 4 2317-9303 FAX:+886 4 2317-9307  
1F, No.78, Luoyang Rd., Xitun District, Taichung 407, Taiwan, R.O.C.  
TAINAN :TEL:+886 6 247-8566 FAX:+886 6 247-6969  
1F, No.278, Gongming S. 3rd Rd., Annan District, Tainan 709, Taiwan, R.O.C.  
<http://www.kstci.com.tw/> E-mail: [service@kstci.com.tw](mailto:service@kstci.com.tw)