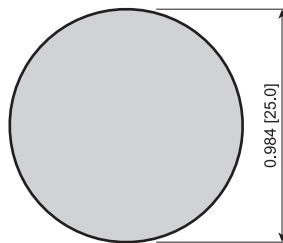


PV8 Series



www.DataSheet4U.com

Suggested Panel Cutout



Maximum Panel Thickness
Momentary Version: 0.394 [10.0mm]
Maintained Version: 0.472 [12.0mm]

FEATURES:

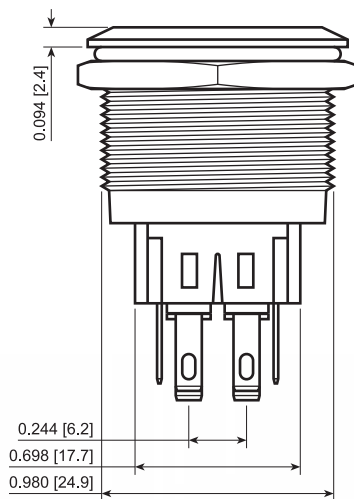
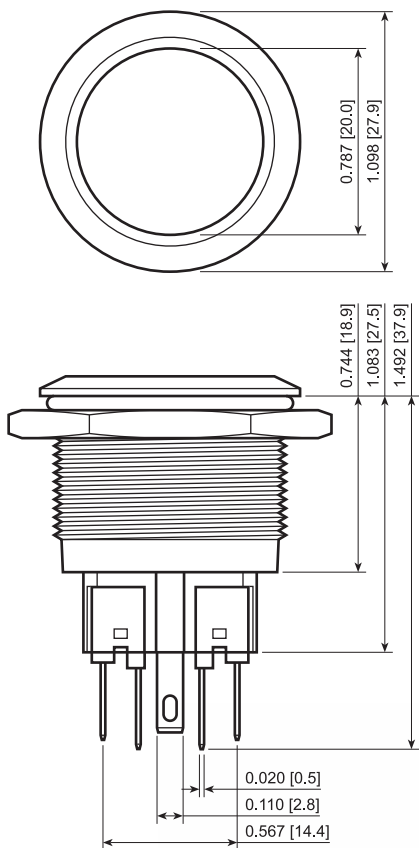
- Vandal and Vandal Resistant
- Long Life Expectancy
- Many Function and Illumination Options

SPECIFICATIONS:

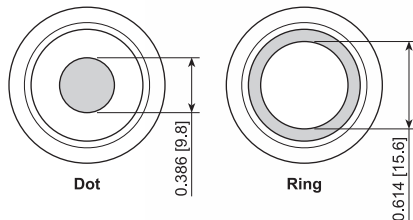
- RATING:** 2A 36VDC
- ILLUMINATION BASE RATING:**
Red, Yellow, and Orange: 20mA 1.8V
Blue, Green, and White: 20mA 2.8V
- TEMPERATURE:** -20°C to 70°C
- CONTACT RESISTANCE:** 50mΩ Max.
- INSULATION RESISTANCE:** 1,000MΩ Min.
- DIELECTRIC STRENGTH:** 2,000VAC
- MECHANICAL LIFE:** 1,000,000 Cycles
- ELECTRICAL LIFE:** 50,000 Cycles

MATERIALS:

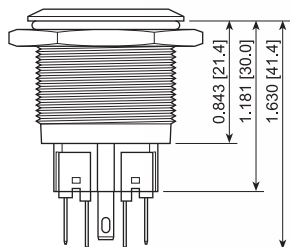
- BUTTON:** Stainless Steel
Nickel Plated Brass
- BODY:** Stainless Steel
Nickel Plated Brass
- BASE:** PBT



Illumination Options



Maintained Version Dimensions



PV8F2V0SS-311

Series	Actuator Options	Terminal	Function	Rating	Body Finish	Actuator Finish	Contact Material	Lens Style	Lens Color	Illumination Voltage
PV8	F - Flat	2 - Solder	2 Pole: Y - 1P Off-(On) / 1P On-(Off) T - 1P Off-Off / 1P On-Off	0 - 2A 48VDC	N - Nickel S - Stainless Steel	N - Nickel S - Stainless Steel	None - Silver G - Gold	2 - Dot 3 - Ring	0 - White 1 - Red 2 - Orange 3 - Green 4 - Blue 5 - Yellow	1 - Base Voltage 3 - 6V 4 - 12V 5 - 24V 6 - 125V 7 - 250V

Notes:
Additional material, illumination, and marking options are available. Please ask your sales person.

For Illuminated Switches Only

EXAMPLE PART NUMBERS:

PV8F2U0SS-344 2P Off-Off/2P On-Off
Flat Actuator, Blue Ring Illumination, 12V

PV8F2V0SS-211 2P Off-(On)/2P On-(Off)
Flat Actuator, Red Dot Illumination, 1.8V

PV8F2V0SS-321 2P Off-(On)/2P On-(Off)
Flat Actuator, Orange Ring Illumination, 1.8V

PV8F2Y0SS-235 1P Off-(On)/1P On-(Off)
Flat Actuator, Green Dot Illumination, 24V

PV8F2Y0SS-313 1P Off-(On)/1P On-(Off)
Flat Actuator, Red Ring Illumination, 6V

www.DataSheet4U.com

