

Applications

- Graphics Processors
- Intelligent Point-of-Load (POL) power regulation

Features

- Multiphase power conversion
- 100 kHz to 2 MHz switching frequency
- Internal high precision voltage reference
 - $\pm 12.4\text{mV}$ voltage setpoint accuracy
- Startup and maximum voltages set through external resistor
- 2-bit VID input for additional voltage control
- Driver detect prior to soft-start disables unpopulated phases
- Autonomous or user controlled phase dropping based on current balance and 12V supply faults
- Supports up to three 12V supplies with phase mapping
- Precise digital current balancing with programmable offsets for thermal balancing
- Digitally programmable loadline and loop compensation
- Digital temperature sensor compensation
- Active Transient Response (ATR) enables meeting transient requirements with reduced output capacitance
- I²C-bus interface for monitoring, control and configuration
- Internal non-volatile memory (NVM) to store custom configurations
- Extensive fault detection capability
 - Input Under-voltage
 - Output Under-/Over-voltage
 - Per Phase and Total Output Current
 - Current balance
 - Auxiliary 12V supply (both fault and return reported)
- RoHS compliant 48-lead MLF plastic package

Description

The PX3540 Graphics Processor Digital Multiphase Controller provides core power for today's high current graphic processors by driving up to six synchronous-rectified buck-converter channels in parallel. Interleaved timing of the channels results in a higher ripple frequency, reducing input and output ripple. With up to six phases, each capable of up to 2 MHz operation, the PX3540 can be used to build DC-DC converters that provide up to 200A with excellent efficiency, low ripple, and the lowest component count.

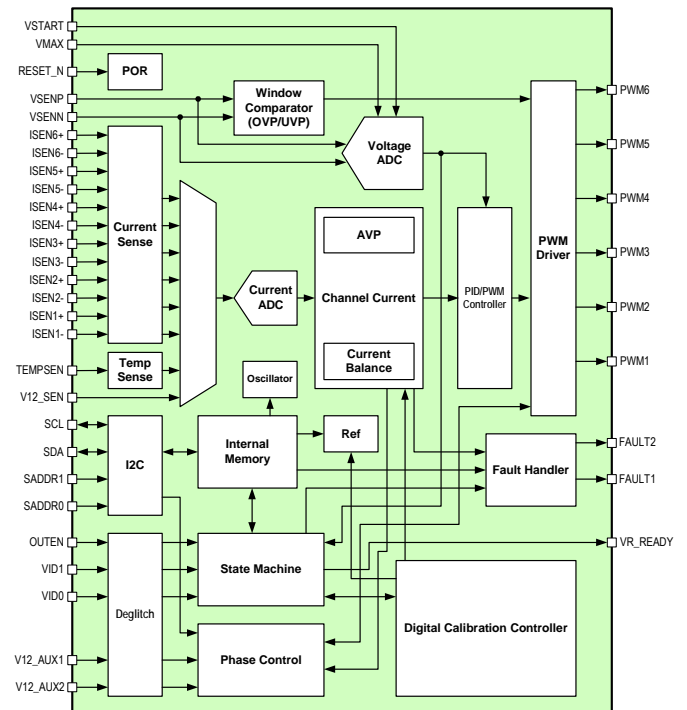
The PX3540 utilizes digital technology to implement all control functions, providing the ultimate in flexibility and stability. The PX3540 incorporates an industry standard I²C-bus serial interface for control and monitoring. Through the serial interface, the power supply designer can quickly optimize designs and monitor system performance. The interface allows the PX3540 to provide digitized information for real time system monitoring and control.

The PX3540 provides intelligent phase detection capability allowing the system to operate under the condition of up to 2 (of 3) missing 12V supplies. Autonomous phase control circuitry will drop phases due to current balance or 12V faults and add phases when the 12V supply returns. An I²C based user phase control mode is also provided.

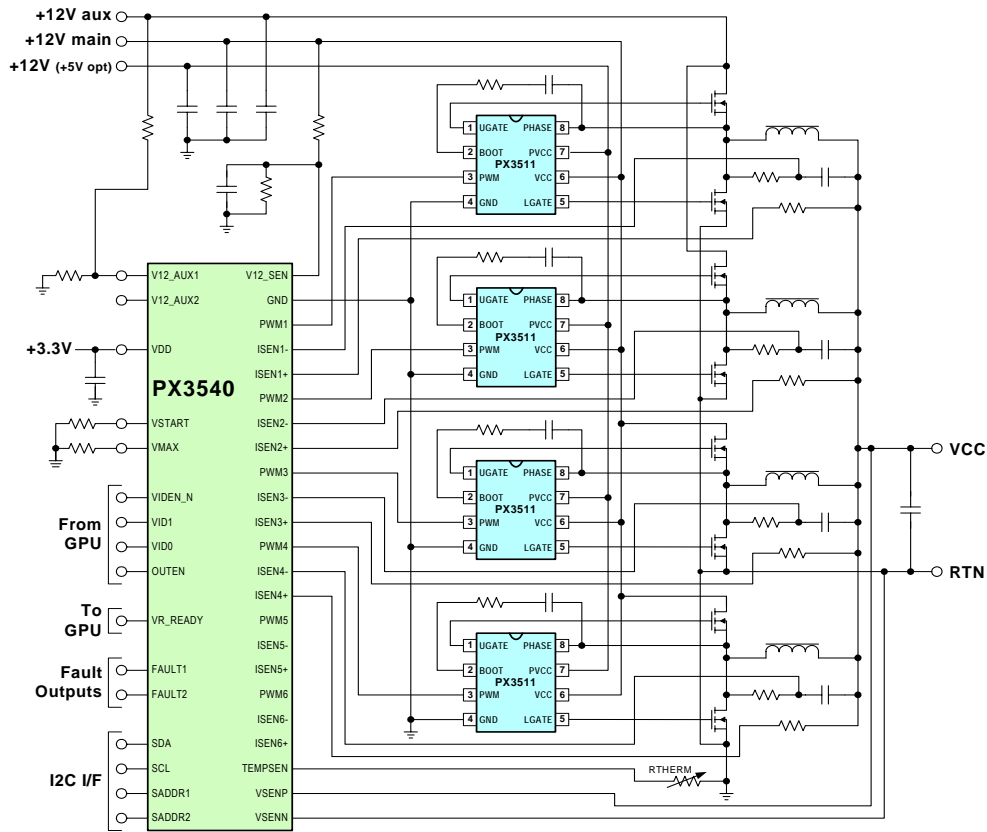
Ordering & Packaging Part Number

Part Number	Ambient	Package
PX3540BDSG-XX - XXXXXX - X	0 to 85°C	48-lead 7mm x 7mm MLF

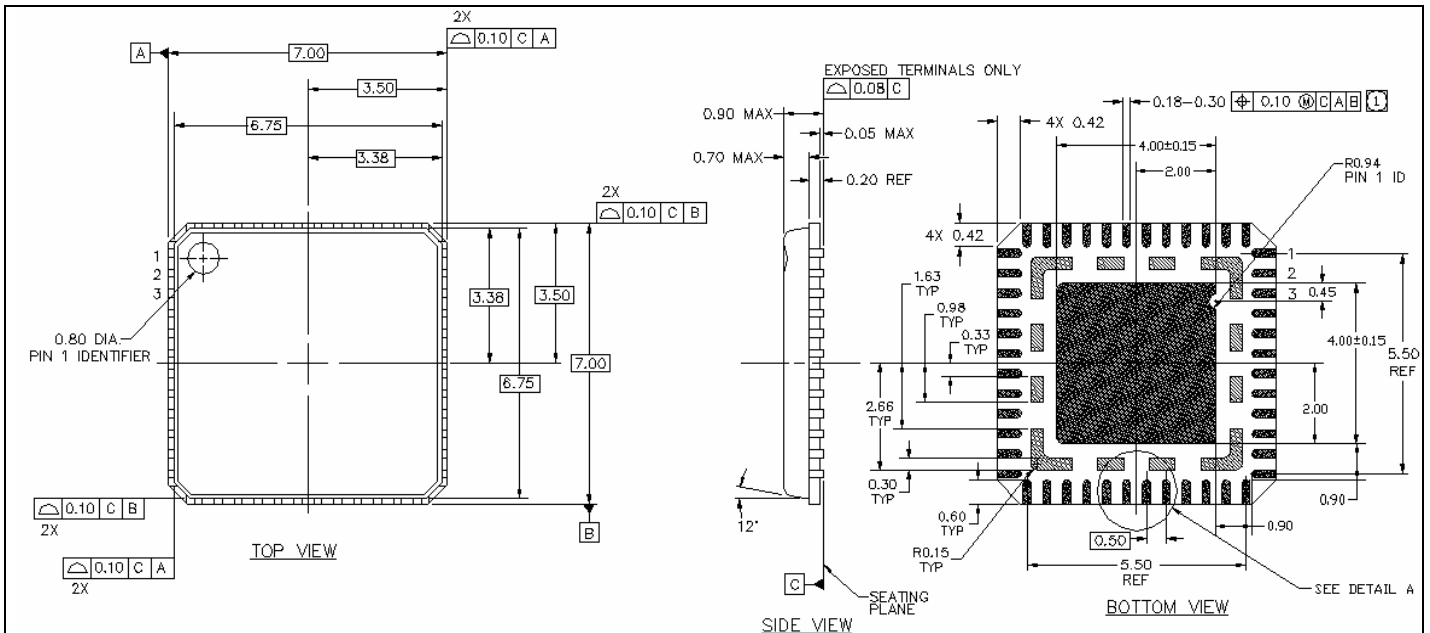
Block Diagram



4-Phase Reference Design



Physical Characteristics (48-lead MLF)



Printed in the USA/1002/PDF/TK/PS
 This document contains information about a new product during its early phase of development. The information contained in this document is based on design targets, simulation results, or early product test results. Characteristic data and other specifications are subject to change without notice. Customers are advised to confirm information in this advanced product brief prior to using this information or placing an order. Primarion does not assume any liability arising from the application or use of any product or circuit described herein, neither does it convey any license under its patents or any other rights. Primarion products are not designed, intended, or authorized, or warranted to be suitable for use in life-support applications, devices or systems or other critical applications. ©2006, Primarion, Inc. Primarion is a registered trademark of Primarion, Inc. The Primarion logos are trademarks of Primarion, Inc.
 *Other names and brands are the property of their respective owners. 2780 Skypark Drive, Suite 100, Torrance, CA 90505 1-310-602-5500 Fax 1-310-602-5559 • www.primarion.com