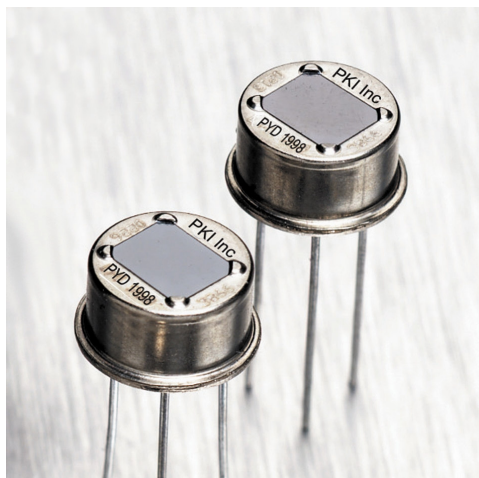


DigiPyro™

Digital Dual Element Pyrodetector

PYD 1998



World's first digital output pyrodetector provides significantly improved technical performance. The new DigiPyro™ is truly setting the digital standard in motion detection.

Overview

The DigiPyro™, PYD 1998, is the first within a new family of digital pyroelectric infrared detectors, brought to you from PerkinElmer.

It combines the time-proven, ceramic dual element configuration with a fully integrated A/D converter. An internal clock and control unit enable the PYD 1998 digital output pyrodetector to open a dialog with any outside microprocessor without additional components. The PYD 1998 is offered in a standard three-pin TO-5 housing.

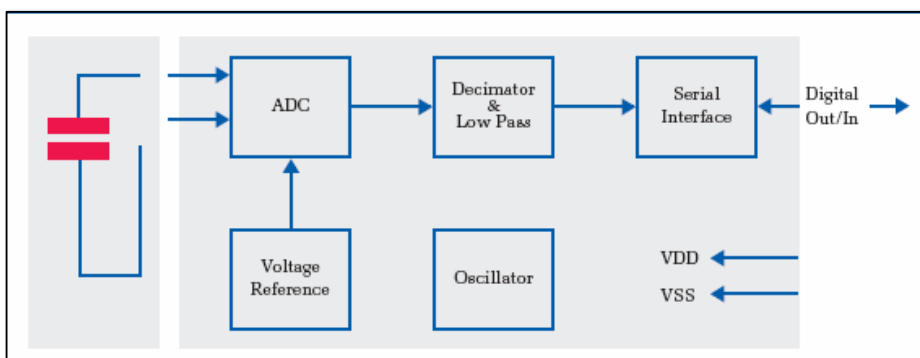
The move from analog to digital technology enables the DigiPyro to deliver a number of advantages including space savings from fewer components and significantly improved EMI immunity. The PYD 1998's fully digital, integrated processing technology continues the high quality standard tradition that customers have come to rely upon with PerkinElmer's analog pyrodetectors. With the introduction of the DigiPyro, PYD 1998, PerkinElmer is making a real step-change in motion detection.

Features and Benefits

- Digital output pyrodetector
- Dual element configuration
- TO-5 metal housing with 3 leads
- Extremely low RF sensitivity (PSRR improved by roughly 30 dB)
- Direct coupling of detector signals to a μ P, which simplifies intelligent digital signal processing
- Wide frequency range
- Fast response time: easy bandpass management
- Automatic out-of-range correction
- Reduced space requirements
- RoHS compliant

Applications

- Motion detection for consumer comfort and safety
- Intrusion alarm passive infrared

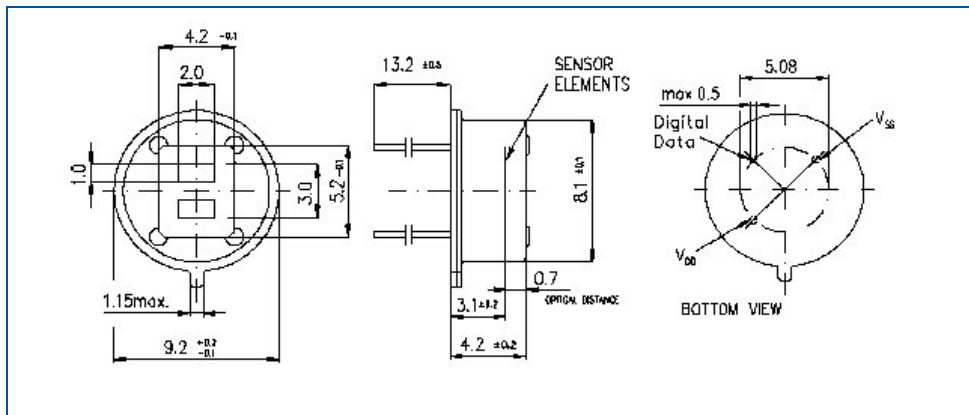


Characteristics

| Parameter | Min | Typ | Max | Unit | Remark |
|--------------------------|------|------|-------|---------------|--------------------------------------------|
| Responsivity | 3.3 | 4.0 | | kV/W | (= 508 Digit/ μ W) |
| Noise | | | 50 | μ Vpp | (= 8 Digit) |
| Operating Voltage | 3.5 | 5 | 5.5 | V | VDD |
| Supply Current | | 30 | 40 | μ A | IDD, VDD = 5 |
| Field of View | | 100 | | Degree | |
| Operating Temperature | -40 | | +85 | $^{\circ}$ C | Non Permanent |
| ADC Resolution | | 14 | | Bit | Max. Count = 2 ¹⁴ |
| ADC Sensitivity | 6.1 | 6.5 | 7 | μ V/Count | |
| ADC Offset | 6200 | 8250 | 11000 | Digit | |
| Input Low Voltage | | | 20 | % Vdd | |
| Input High Voltage | 80 | | | % Vdd | |
| Pull Up / Down Current | 220 | 280 | 350 | μ A | Input to V _{DD} / V _{SS} |
| Data Setup Time | 25 | | | μ s | ts |
| LPF Cut-Off Frequency | | 10 | | Hz | |
| Internal Clock Frequency | 60 | 70 | 90 | kHz | |

All data are measured at room temperature.

Mechanical Dimensions



PIN Layout.
All measurements are in mm.

DigiPyro Application Kit

PerkinElmer Optoelectronics has designed an Application Kit that helps customers perform their first measurements with the DigiPyro. It is easy to use and does not require specialized technical know how. Please contact us to receive additional information on how to obtain the Application Kit.

All values are nominal; specifications subject to change without notice.

Ordering Information:

Please contact your Customer Support team and refer to the part number PYD 1998 (3522).

**North America
Customer Support Hub**
22001 Dumberry Road
Vaudreuil-Dorion, Québec
Canada J7V 8P7
Telephone: (+1) 450-424-3300
(+1) 866-574-6786 (toll-free)
Fax: (+1) 450-424-3345
opto@perkinelmer.com

European Headquarters
Wenzel-Jaksch-Strasse 31
65199 Wiesbaden, Germany
Telephone: (+49)611-492-247
Fax: (+49)611-492-170
opto.Europe@perkinelmer.com

Asia Headquarters
47 Ayer Rajah Crescent #06-12
Singapore 139947
Telephone: (+65)6775-2022
(+65)67704-366
Fax: (+65)6775-1008
opto.Asia@perkinelmer.com



For a complete listing of our global offices, visit www.optoelectronics.perkinelmer.com
©2006 PerkinElmer, Inc. All rights reserved. The PerkinElmer logo and design are registered trademarks of PerkinElmer, Inc. DigiPyro™ is a trademark of PerkinElmer, Inc. or its subsidiaries, in the United States and other countries. All other trademarks not owned by PerkinElmer, Inc. or its subsidiaries that are depicted herein are the property of their respective owners. PerkinElmer reserves the right to change this document at any time without notice and disclaims liability for editorial, pictorial or typographical errors.
600119_02 DTS0406