

RoHS Compliant Product

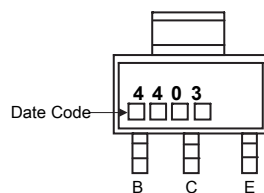
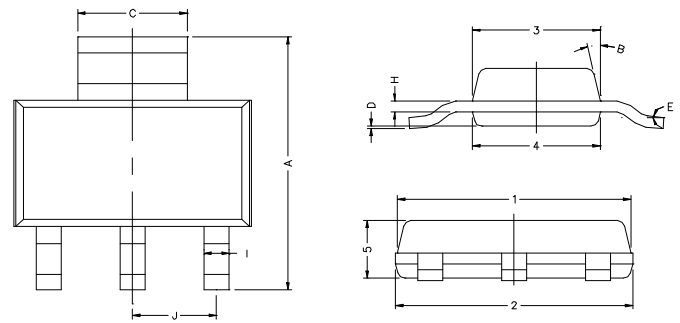
SOT-223

Description

The PZT4403 is designed for general purpose switching and amplifier applications.

Features

- *High Power Dissipation: 1500mW at 25°C
- *High DC Current Gain: 100~300 at 150mA
- *Complementary to PZT4401



REF.	Millimeter		REF.	Millimeter	
	Min.	Max.		Min.	Max.
A	6.70	7.30	B	13° TYP.	
C	2.90	3.10	J	2.30 REF.	
D	0.02	0.10	1	6.30	6.70
E	0°	10°	2	6.30	6.70
I	0.60	0.80	3	3.30	3.70
H	0.25	0.35	4	3.30	3.70
			5	1.40	1.80

ABSOLUTE MAXIMUM RATINGS Ta=25°C

Symbol	Parameter	Value	Units
V _{CB0}	Collector-Base Voltage	-40	V
V _{CEO}	Collector-Emitter Voltage	-40	V
V _{EB0}	Emitter-Base Voltage	-5	V
I _C	Collector Current (Continuous)	-600	mA
P _D	Total Power Dissipation	1.5	W
T _J , T _{stg}	Junction and Storage Temperature	-55~+150	°C

ELECTRICAL CHARACTERISTICS Tamb=25°C unless otherwise specified

Parameter	Symbol	Min	Typ.	Max	Unit	Test Conditions
Collector-Base Breakdown Voltage	BV _{CB0}	-40	-	-	V	I _C =-100μA
Collector-Emitter Breakdown Voltage	*BV _{CEO}	-40	-	-	V	I _C =-1mA
Emitter-Base Breakdown Voltage	BV _{EB0}	-5	-	-	V	I _E =-10μA
Collector-Base Cutoff Current	I _{CES}	-	-	-100	nA	V _{CE} =-35V, V _{BE} =-0.4V
Collector Saturation Voltage	*V _{CE(sat)1}	-	-	-400	mV	I _C =-150mA, I _B =-15mA
	*V _{CE(sat)2}	-	-	-750	mV	I _C =-500mA, I _B =-50mA
Base Saturation Voltage	*V _{BE(sat)1}	-	-	-950	mV	I _C =-150mA, I _B =-15mA
	*V _{BE(sat)2}	-750	-	-1.3	V	I _C =-500mA, I _B =-50mA
DC Current Gain	*h _{FE1}	30	-	-		V _{CE} =-1V, I _C =-0.1mA
	*h _{FE2}	60	-	-		V _{CE} =-1V, I _C =-1mA
	*h _{FE3}	100	-	-		V _{CE} =-1V, I _C =-10mA
	*h _{FE4}	100	-	300		V _{CE} =-1V, I _C =-150mA
	*h _{FE5}	20	-	-		V _{CE} =-2V, I _C =-500mA
Gain-Bandwidth Product	f _T	200	-	-	MHz	V _{CE} =-10V, I _C =-20mA, f=100MHz
Output Capacitance	C _{ob}	-	-	8.5	pF	V _{CB} =-10V, f=1MHz

*Pulse width ≤ 380μs, Duty Cycle ≤ 2%

Classification of hFE4

Rank	Q	R
Range	100~210	190~300

Characteristics Curve

