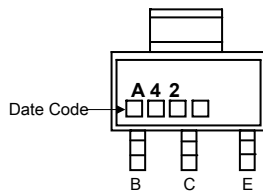
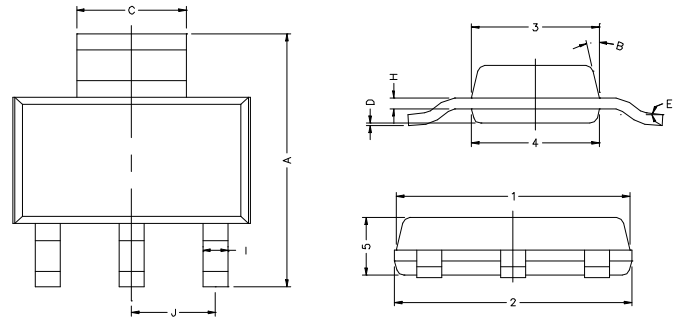


RoHS Compliant Product

SOT-223

Description

The PZTA42 is designed for application as a video output to drive color CRT, or as dialer circuit in electronics telephone.



REF.	Millimeter		REF.	Millimeter	
	Min.	Max.		Min.	Max.
A	6.70	7.30	B	13 TYP.	
C	2.90	3.10	J	2.30 REF.	
D	0.02	0.10	1	6.30	6.70
E	0°	10°	2	6.30	6.70
I	0.60	0.80	3	3.30	3.70
H	0.25	0.35	4	3.30	3.70
			5	1.40	1.80

ABSOLUTE MAXIMUM RATINGS Ta=25°C

Symbol	Parameter	Value	Units
V _{CB0}	Collector-Base Voltage	300	V
V _{CEO}	Collector-Emitter Voltage	300	V
V _{EBO}	Emitter-Base Voltage	6	V
I _C	Collector Current	500	mA
P _D	Total Power Dissipation	2	W
T _J , T _{stg}	Junction and Storage Temperature	-55~+150	°C

ELECTRICAL CHARACTERISTICS Tamb=25°C unless otherwise specified

Parameter	Symbol	Min	Typ.	Max	Unit	Test Conditions
Collector-Base Breakdown Voltage	BV _{CB0}	300	-	-	V	I _C =100μA
Collector-Emitter Breakdown Voltage	BV _{CEO}	300	-	-	V	I _C =1mA
Emitter-Base Breakdown Voltage	BV _{EBO}	6	-	-	V	I _E =10μA
Collector-Base Cutoff Current	I _{CB0}	-	-	100	nA	V _{CB} =300V
Emitter-Base Cutoff Current	I _{EBO}	-	-	100	nA	V _{EB} =6V
Collector Saturation Voltage	V _{CE(sat)}	-	-	500	mV	I _C =20 mA, I _B =2mA
Base Saturation Voltage	V _{BE(sat)}	-	-	900	mV	I _C =20 mA, I _B =2mA
DC Current Gain	h _{FE1}	25	-	-		V _{CE} = 10V, I _C = 1mA
	h _{FE2}	40	-	-		V _{CE} = 10V, I _C =10mA
	h _{FE3}	40	-	-		V _{CE} = 10V, I _C =30 mA
Gain-Bandwidth Product	f _T	50	-	-	MHz	V _{CE} = 20mV, I _C = 10mA, f=100MHz
Output Capacitance	C _{ob}	-	-	3	pF	V _{CB} = 20V, f=1MHz