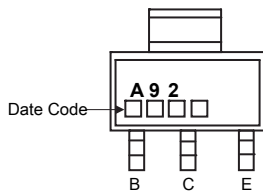
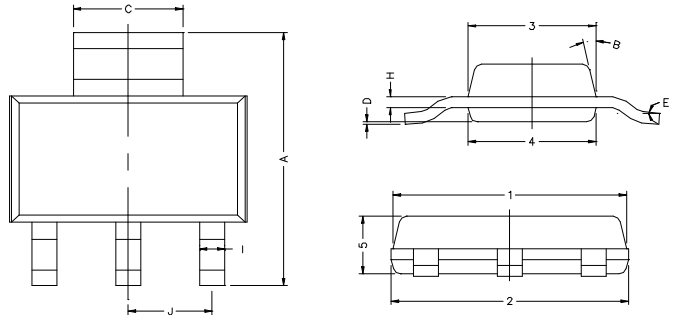


RoHS Compliant Product

**SOT-223**

**Description**

The PZTA92 is designed for application as a video output to drive color CRT, or as a dialer circuit in electronics telephone.



REF.	Millimeter		REF.	Millimeter	
	Min.	Max.		Min.	Max.
A	6.70	7.30	B	13 TYP.	
C	2.90	3.10	J	2.30 REF.	
D	0.02	0.10	1	6.30	6.70
E	0°	10°	2	6.30	6.70
I	0.60	0.80	3	3.30	3.70
H	0.25	0.35	4	3.30	3.70
			5	1.40	1.80

**ABSOLUTE MAXIMUM RATINGS** Ta=25°C

Symbol	Parameter	Value	Units
V <sub>CB0</sub>	Collector-Base Voltage	-300	V
V <sub>CEO</sub>	Collector-Emitter Voltage	-300	V
V <sub>EB0</sub>	Emitter-Base Voltage	-5	V
I <sub>C</sub>	Collector Current	-500	mA
P <sub>D</sub>	Total Power Dissipation	2	W
T <sub>J</sub> , T <sub>stg</sub>	Junction and Storage Temperature	-55~+150	°C

**ELECTRICAL CHARACTERISTICS** Tamb=25°C unless otherwise specified

Parameter	Symbol	Min	Typ.	Max	Unit	Test Conditions
Collector-Base Breakdown Voltage	BV <sub>CB0</sub>	-300	-	-	V	I <sub>C</sub> =-100μA, I <sub>E</sub> =0
Collector-Emitter Breakdown Voltage	BV <sub>CEO</sub>	-300	-	-	V	I <sub>C</sub> =-1mA, I <sub>B</sub> =0
Emitter-Base Breakdown Voltage	BV <sub>EB0</sub>	-5	-	-	V	I <sub>E</sub> =-100μA, I <sub>C</sub> =0
Collector-Base Cutoff Current	I <sub>CB0</sub>	-	-	-250	nA	V <sub>CB</sub> =-200V, I <sub>E</sub> =0
Emitter-Base Cutoff Current	I <sub>EB0</sub>	-	-	-100	nA	V <sub>BE</sub> =-3V
Collector Saturation Voltage	V <sub>CE(sat)</sub>	-	-	-500	mV	I <sub>C</sub> =-20mA, I <sub>B</sub> =-2mA
Base Saturation Voltage	V <sub>BE(sat)</sub>	-	-	-900	mV	I <sub>C</sub> =-20mA, I <sub>B</sub> =-2mA
DC Current Gain	h <sub>FE1</sub>	25	-	-		V <sub>CE</sub> =-10V, I <sub>C</sub> =-1mA
	h <sub>FE2</sub>	40	-	-		V <sub>CE</sub> =-10V, I <sub>C</sub> =-10mA
	h <sub>FE3</sub>	25	-	-		V <sub>CE</sub> =-10V, I <sub>C</sub> =-30mA
Gain-Bandwidth Product	f <sub>T</sub>	50	-	-	MHz	V <sub>CE</sub> =-20V, I <sub>C</sub> =-10mA, f=100MHz
Output Capacitance	C <sub>ob</sub>	-	-	6	pF	V <sub>CB</sub> =-20V, f=1MHz

**Characteristics Curve**

