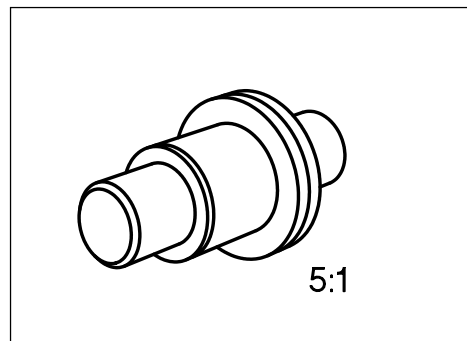


Silicon Tuning Varactor

BBY 33 DA-2

- Abrupt junction tuning diode
- Tuning range 25 V
- High figure of merit



Type	Marking	Ordering Code (tape and reel)	Pin Configuration	Package ¹⁾
BBY 33 DA-2	–	Q62702-B127		D

Maximum Ratings

Parameter	Symbol	Values	Unit
Reverse voltage	V_R	30	V
Junction temperature	T_j	175	°C
Storage temperature range	T_{stg}	– 55 ... + 150	
Operating temperature range	T_{op}	– 55 ... + 150	

1) For detailed information see chapter Package Outlines.

Electrical Characteristics

at $T_A = 25\text{ °C}$, unless otherwise specified.

Parameter	Symbol	Values			Unit
		min.	typ.	max.	
Reverse current $V_R = 20\text{ V}$	I_R	–	–	5	nA
Diode capacitance $V_R = 4\text{ V}, f = 1\text{ MHz}$	C_T	1.7	–	2.1	pF
Capacitance ratio $V_{R1} = 0, V_{R2} = 25\text{ V}$	$\frac{C_{T0}}{C_{T25}}$	3.0	–	–	–
Figure of merit $V_R = 4\text{ V}, f = 50\text{ MHz}$	Q	3500	–	–	–